



www.Source1Parts.com

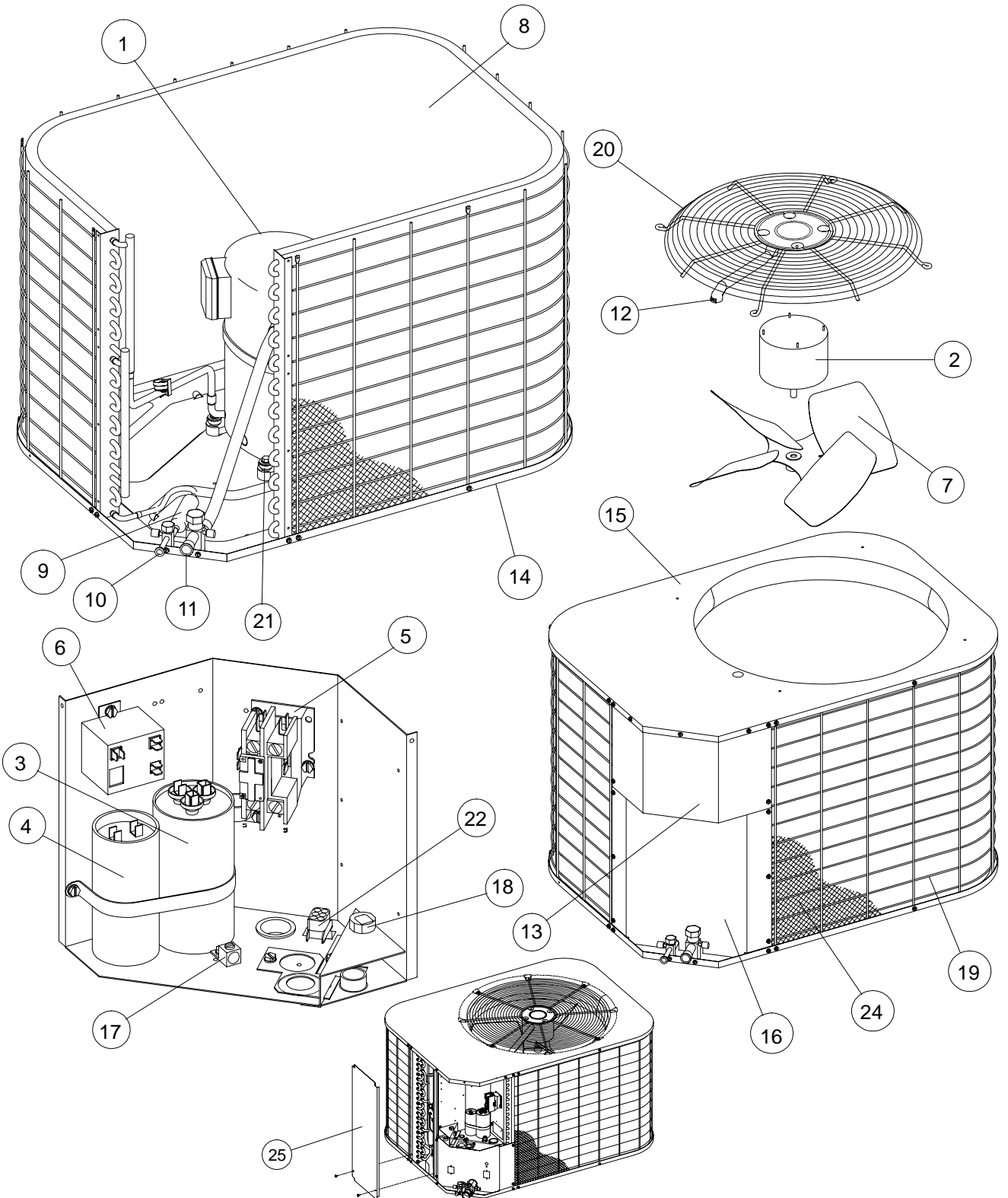
HVAC SERVICE PARTS

ERCS SERIES, 13 SEER X3 (2ND GEN) AIR CONDITIONER (STYLE A)

Supersedes:035-20816-001 Rev. D (0706)

035-20816-001 Rev. E (0906)

1 of 4



ITEM	DESCRIPTION	ERCS0181BBA	ERCS0241BBA	ERCS0301BBA
1	Compressor, Hermetic	015-03848-001	015-03835-001	015-03806-001
1A*	Compressor Plug Harness	025-31883-000	025-31883-000	025-31884-000
2	Motor, Direct Drive Fan	024-35328-000	024-35328-000	024-27596-000
3	Capacitor, Run (35/5) [RC	024-23998-000	024-23998-000	---
4	Capacitor, Run (30/5) [RC]	---	---	024-24778-000
5*	Capacitor, Start	---	---	---
6	Contact, Electrical (30 Amp) [M]	024-27531-000	024-27531-000	024-27531-000
7*	Relay, Start	---	---	---
8	Blade, Fan (18")	026-34754-000	026-34754-000	---
	Blade, Fan (22")	---	---	024-34593-000
9	Coil, Outdoor	373-23816-001	373-19800-004	373-23816-003
10	Drier, Filter	029-22156-000	029-22156-000	029-22156-000
11	Valve, Liquid (3/8")	025-31899-000	025-31899-000	025-31899-000
12	Valve, Suction (3/4")	025-31900-000	025-31900-000	025-31900-000
13	Wireway	028-13215-000	028-13216-001	028-13216-001
14	Cover, Electrical Box	073-20018-001	073-20018-001	073-20018-001
15	Pan, Base	073-20045-001	073-20045-001	073-20004-801
16	Panel, Top	073-20011-001	073-20011-001	073-20042-801
17	Plate, Blockoff	073-23819-001	073-20002-801	073-20002-801
18	Lug, Ground	025-21798-000	025-21798-000	025-21798-000
19	Relief, Strain	025-09687-000	025-09687-000	025-09687-000
20	Guard, Coil	373-23817-004	373-23817-004	373-23707-001
21	Guard, Fan	026-35511-818	026-35511-818	026-35511-822
22	Mount, Cushion (4 Req'd)	9435-1081	9435-1081	9435-1081
23	Plug, Electrical	025-33306-006	025-33306-006	025-33306-006
24*	Diagram, Wiring	035-15861-501	035-15861-501	035-15861-501
25	Coil Guard, Plastic Mesh	028-15460-000	028-15461-000	028-14728-000
26	Panel, Filler	---	---	---
27*	Harness, Wiring	373-20055-004	373-20055-004	373-20055-004
28*	Kit, Acorn Nut	363-90117-700	363-90117-700	363-90117-700
29*	Check Valve w/Muffler	022-09077-000	022-09077-000	022-09077-000

<

NOTE: *Not Shown
 New replacement parts shown in **bold** face type at the first printing of parts list dated 9/06.
 Major components and suggested stocking items are shown with shaded item number.
 “<” Across from row indicates a change in that row.
 --- Not applicable to specified model.



ITEM	DESCRIPTION	ERCS0361BBA	ERCS0421BBA	ERCS0481BBA	ERCS0601BBA
1	Compressor, Hermetic	015-03807-001	015-03784-001	015-03710-004	015-03679-004
1A*	Compressor Plug Harness	025-31884-000	025-31884-000	025-31884-000	025-31884-000
2	Motor, Direct Drive Fan	024-27596-000	024-27596-000	024-27596-000	024-27596-000
3	Capacitor, Run (35/5) [RC]	---	024-23998-000	---	---
	Capacitor, Run (40/5) [RC]	024-25893-000	---	---	---
	Capacitor, Run (60/5) [RC]	---	---	024-25033-000	024-25033-000
4*	Capacitor, Start	---	024-25215-000	---	---
5	Contact, Electrical (30 Amp) [M]	024-27531-000	024-27531-000	024-27531-000	024-27531-000
6*	Relay, Start	---	024-25053-000	---	---
7	Blade, Fan (22")	024-34094-000	024-34094-000	---	---
	Blade, Fan (24")	---	---	026-35437-000	026-35437-000
8	Coil, Outdoor	373-23782-001	373-23782-002	373-23782-003	373-23816-004
9	Drier, Filter	029-22156-000	029-22157-000	026-34095-000	026-34095-000
10	Valve, Liquid (3/8")	025-31899-000	025-31899-000	025-31899-000	025-31899-000
11	Valve, Suction (7/8")	025-31901-000	025-31901-000	025-31901-000	025-31901-000
12	Wireway	028-13216-001	028-13216-001	028-13297-000	028-13297-000
13	Cover, Electrical Box	073-20018-001	073-20018-001	073-20018-001	073-20018-001
14	Pan, Base	073-20004-801	073-20004-801	073-19001-500	073-19001-500
15	Panel, Top	073-20042-801	073-20042-801	073-23757-001	073-23757-001
16	Plate, Blockoff	073-20002-801	073-20002-804	073-23791-002	073-20002-804
17	Lug, Ground	025-21798-000	025-21798-000	025-21798-000	025-21798-000
18	Relief, Strain	025-09687-000	025-09687-000	025-09687-000	025-09687-000
19	Guard, Coil	373-23707-001	373-23710-001	373-23790-005	373-23715-007
20	Guard, Fan	026-35511-822	026-35511-822	026-35511-824	026-35511-824
21	Mount, Cushion (4 Req'd)	9435-1081	9435-1081	028-12355-000	028-10190-000
22	Plug, Electrical	025-33306-006	---	---	---
23*	Diagram, Wiring	035-15861-501	035-15861-501	035-15861-501	035-15861-501
24	Coil Guard, Plastic Mesh	028-14728-000	028-14733-000	028-14734000	028-14734-000
25	Panel, Filler	---	---	073-23789-001	073-23758-002
26*	Harness, Wiring	373-20055-004	373-20055-004	373-20055-004	373-20055-004
27*	Kit, Acorn Nut	363-90117-700	363-90117-700	363-90117-700	363-90117-700
28*	Check Valve w/Muffler	022-09077-000	---	---	---
	Muffler	---	025-39847-000	---	---

NOTE: *Not ShownNew replacement parts shown in **bold** face type at the first printing of parts list dated 9/06.

Major components and suggested stocking items are shown with shaded item number.

"←" Across from row indicates a change in that row.

--- Not applicable to specified model.

NOTES

TO ORDER AUTHORIZED FACTORY REPLACEMENT PARTS - Contact your Source1 HVAC Parts Distributor or visit our website at **www.Source1Parts.com** for a Distributor and Dealer listing.