



www.Source1Parts.com

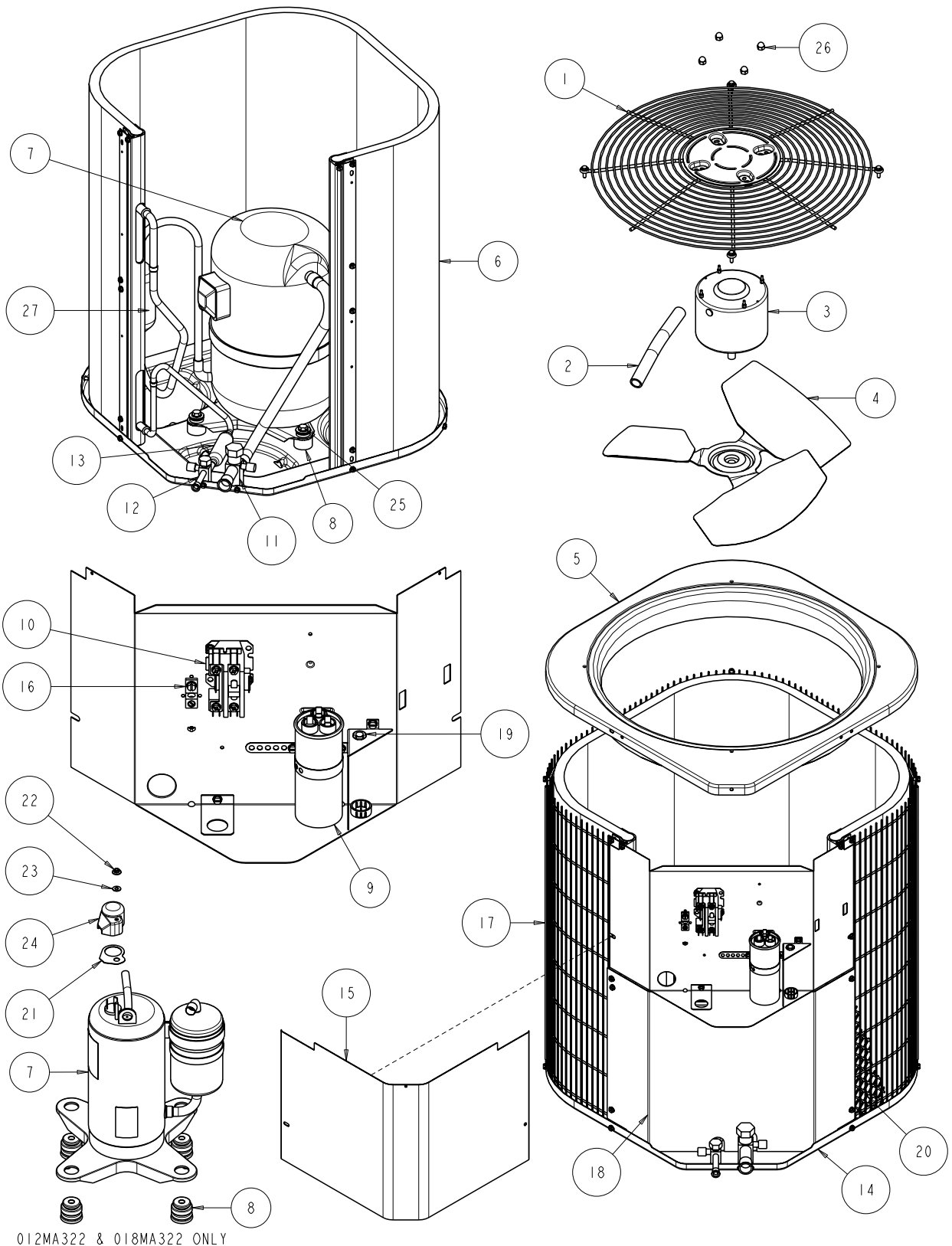
AM SERIES - MICROCHANNEL - MINI CUBE 13 SEER AIR CONDITIONER - R22 (2ND GEN) (STYLE A)

HVAC SERVICE PARTS

Supersedes:035-2100-001 Rev. B (0906)

035-21200-001 Rev. C (0807)

1 of 2



| ITEM | DESCRIPTION | AM012MA322A | AM018MA322A | AM024MA322A | AM030MA322A |
|------|-----------------------------------|----------------|----------------|----------------|----------------|
| 1 | Fan Guard | S1-02637318818 | S1-02637318818 | S1-02637318818 | S1-02637318818 |
| 2 | Wireway | S1-02814701000 | S1-02814701000 | S1-02814701000 | S1-02814701000 |
| 3 | Fan Motor | S1-02435355000 | S1-02435355000 | S1-02435356000 | S1-02435356000 |
| 4 | Fan Blade | S1-02637314000 | S1-02637314000 | S1-02637315000 | S1-02642444000 |
| 5 | Top | S1-07323407802 | S1-07323407802 | S1-07323407802 | S1-07323407802 |
| 6 | Outdoor Coil Assembly | S1-37323837001 | S1-37323837002 | S1-37323776001 | S1-37323776002 |
| 7 | Compressor | S1-01503288004 | S1-01503858007 | S1-01503835001 | S1-01503822001 |
| 8 | Compressor Mount (Pkg. of 4) | S1-02813397000 | S1-02813397000 | S1-9435-1081 | S1-9435-1081 |
| 9 | Dual Capacitor (30/5 MFD) | --- | --- | --- | S1-02424778000 |
| | Dual Capacitor (35/5 MFD) | --- | S1-02423998000 | S1-02423998000 | --- |
| | Dual Capacitor (40/5 MFD) | S1-02425893000 | --- | --- | --- |
| 10 | Contactora (30 Amp) | S1-02427531000 | S1-02427531000 | S1-02427531000 | S1-02427531000 |
| 11 | Base Valve (3/4") (Suction) | S1-02531900000 | S1-02531900000 | S1-02531900000 | S1-02531900000 |
| 12 | Base Valve (3/8") (Liquid) | S1-02531899000 | S1-02531899000 | S1-02531899000 | S1-02531899000 |
| 13 | Filter Drier | S1-02922156000 | S1-02922156000 | S1-02922156000 | S1-02922156000 |
| 14 | Base Pan | S1-07323407801 | S1-07323407801 | S1-07323407801 | S1-07323407801 |
| 15 | Electrical Control Box Cover | S1-07323407803 | S1-07323407803 | S1-07323407803 | S1-07323407803 |
| 16 | Ground Lug | S1-02521798000 | S1-02521798000 | S1-02521798000 | S1-02521798000 |
| 17 | Coil Guard | S1-37323839001 | S1-37323839002 | S1-37323839003 | S1-37323839004 |
| 18 | Blockoff Plate | S1-07323838001 | S1-07323407822 | S1-07323775001 | S1-07323775002 |
| 19 | Strain Relief | S1-02509687000 | S1-02509687000 | S1-02509687000 | S1-02509687000 |
| 20 | Wire Mesh Coil Guard (Hail Guard) | S1-02815467000 | S1-02815468000 | S1-02815469000 | S1-02815470000 |
| 21 | Terminal Cover Gasket | S1-02815234000 | S1-02815234000 | --- | --- |
| 22 | Flange Hex Nut | S1-02118373000 | S1-02118373000 | --- | --- |
| 23 | Flange Nut Gasket | S1-02814700000 | S1-02814700000 | --- | --- |
| 24 | Terminal Cover | S1-02815233000 | S1-02815233000 | --- | --- |
| 25 | Compressor Bolt (4 Req'd) | S1-1048-0033 | S1-1048-0033 | S1-1048-0033 | S1-1048-0033 |
| 26 | Kit, Motor Mounting (Acorn Nuts) | S1-36390117700 | S1-36390117700 | S1-36390117700 | S1-36390117700 |
| 27 | Muffler | | --- | S1-02539847000 | S1-02539847000 |
| 28* | Twistlock | S1-02118367000 | S1-02118367000 | S1-02118367000 | S1-02118367000 |
| 29* | Harness, Compressor | --- | --- | S1-02531884000 | S1-02531884000 |
| 30* | Bezel Plate | S1-03520061001 | S1-03520061001 | S1-03520061001 | S1-03520061001 |
| 31* | Orifice (.048) | S1-02919387038 | --- | --- | --- |
| | Orifice (.053) | --- | S1-02919387002 | --- | --- |
| | Orifice (.059) | --- | --- | S1-02919387010 | --- |
| | Orifice (.061) | --- | --- | S1-02919387003 | --- |
| | Orifice (.067) | --- | --- | --- | S1-02919387016 |
| 32* | Wiring Diagram | 167242 | 167242 | 167242 | 167242 |

<

NOTE: *Not Shown
 New replacement parts shown in **bold** face type at the first printing of parts list dated 8/07.
 Major components and suggested stocking items are shown with shaded item number.
 "<" Across from row indicates a change in that row.
 --- Not applicable to specified model.



TO ORDER AUTHORIZED FACTORY REPLACEMENT PARTS - Contact your Source1 HVAC Parts Distributor or visit our website at www.Source1Parts.com for a Distributor and Dealer listing.