



PBLD DOWN-FLOW NATURAL GAS FURNACES (90+)

HVAC SERVICE PARTS™

Supersedes: Nothing

e 650.75-RP5W (298)

Models

1 of 4
035-14312

- | | |
|----------------------|----------------------|
| PBLDALD08N040 | PBLDCLD16N080 |
| PBLDBLD12N060 | PBLDCLD20N100 |
| PBLDBLD12N080 | PBLDDL20N120 |

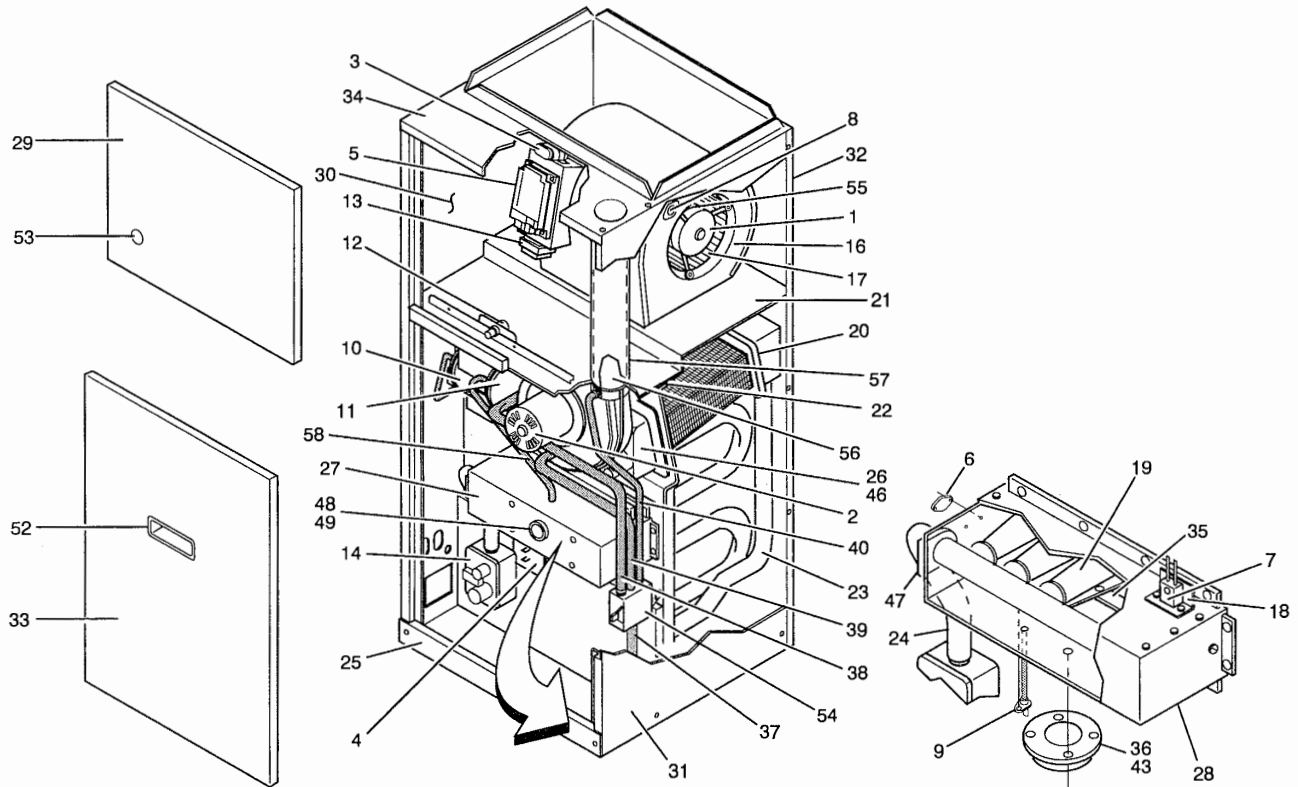


FIG. 1 – DOWN-FLOW NATURAL GAS FURNACES (90+)

SECTION	FIG	ITEM	MODEL	PART NUMBER	DESCRIPTION
MOTORS					
	1	1	PBLDALD08N040	024-25108-003	MTR, BLW, 1/4, 1075/3, CCW, 115-1
	1	1	PBLDBLD12N060, BLD12N080	024-25110-700	MTR, BLW, 1/2, 1075/3, CCW, 115-1
	1	1	PBLDCLD16N080	024-26002-000	MTR, BLW, 3/4, 1060/3, CCW, 115-1
	1	1	PBLDCLD20N100, DLD20N120	024-23238-001	MTR, BLW, 1, 1075/3, CCW, 115-1
	1	2	ALL	373-14249-701	MOTOR, INDUCER (ASS'Y)
ELECTRICAL					
	1	3	PBLDALD08N040	024-20043-700	CAPACITOR, RUN (5MFD/370V)
	1	3	PBLDBLD12N060, BLD12N080	024-20045-700	CAPACITOR, RUN (7.5MFD/370V)
	1	3	PBLDCLD16N080	024-20046-700	CAPACITOR, RUN (10MFD/370V)
	1	3	PBLDCLD20N100, DLD20N120	024-20446-700	CAPACITOR, RUN (15MFD/370V)
	1	4	PBLDALD08N040	025-29041-001	CONTROL, LIMIT 220/190 (LS1)
	1	4	PBLDBLD12N060, BLD12N080	025-29041-004	CONTROL, LIMIT 160/130 (LS1)
	1	4	PBLDCLD16N080, CLD20N100	025-29041-005	CONTROL, LIMIT 140/110 (LS1)
	1	4	PBLDDL20N120	025-29041-711	CONTROL, LIMIT 180/150 (LS1)
	1	5	ALL	031-01266-000	CONTROL, FURNACE
	1	6	ALL	025-27792-001	SWITCH, ROLL-OUT 200/MANUAL (ROS1)
	1	7	ALL	025-32625-000	IGNITOR, HOT SURFACE
	1	8	ALL	025-27792-708	SWITCH, AUX. LIMIT 170/MANUAL (LS2)
	1	9	ALL	025-30788-700	SENSOR, FLAME

NOTES: * Not Shown
 Major components and suggested stocking items are shown with shaded item numbers.
 New replacement parts shown in **bold face** type at the first printing of Parts List code dated 2/98.

SECTION	FIG	ITEM	MODEL	PART NUMBER	DESCRIPTION
ELECTRICAL					
CONT.	1	10	PBLDALD08N040, CLD20N100	024-25993-000	SWITCH, AIR PRESSURE .2 IWC (2LP)
	1	10	PBLDBLD12N060, BLD12N080, CLD16N080	024-26038-000	SWITCH, AIR PRESSURE .4 IWC (2LP)
	1	10	PBLDCLD20N100	024-26038-000	SWITCH, AIR PRESSURE .4 IWC (2LP)
	1	11	PBLDALD08N040	024-25997-000	SWITCH, AIR PRESSURE 1.2 IWC (1LP)
	1	11	PBLDBLD12N060, BLD12N080, DLD20N120	024-25995-000	SWITCH, AIR PRESSURE .9 IWC (1LP)
	1	11	PBLDCLD16N080	024-25996-000	SWITCH, AIR PRESSURE 1.0 IWC (1LP)
	1	11	PBLDCLD20N100	024-26000-000	SWITCH, AIR PRESSURE .65 IWC (1LP)
	1	12	ALL	024-25811-000	SWITCH, CONTROL (DOOR)
	1	13	ALL	025-30889-000	TRANSFORMER
	1	14	ALL	025-31969-000	VALVE, GAS
	*	15	ALL	025-32746-000	FUSE (ATO-3)
AIR MOVING					
	1	16	PBLDALD08N040	373-18255-001	HOUSING, BLOWER
	1	16	PBLDBLD12N060, BLD12N080, CLD16N080	373-18256-001	HOUSING, BLOWER
	1	16	PBLDCLD20N100, DLD20N120	373-18256-002	HOUSING, BLOWER
	1	17	PBLDALD08N040	026-19654-707	WHEEL, BLOWER
	1	17	PBLDBLD12N060, BLD12N080, CLD16N080	026-19654-709	WHEEL, BLOWER
	1	17	PBLDCLD20N100, DLD20N120	026-19654-014	WHEEL, BLOWER
FABRICATED					
PARTS	1	18	ALL	073-17403-000	BRACKET, IGNITOR
	1	19	ALL	029-20482-000	BURNER, MAIN GAS
	1	20	PBLDALD08N040	373-17985-002	COIL, HEAT RECOVERY
	1	20	PBLDBLD12N060	373-17985-003	COIL, HEAT RECOVERY
	1	20	PBLDBLD12N080	373-17985-004	COIL, HEAT RECOVERY
	1	20	PBLDCLD16N080	373-17985-014	COIL, HEAT RECOVERY
	1	20	PBLDCLD20N100	373-17985-005	COIL, HEAT RECOVERY
	1	20	PBLDDL20N120	373-17985-006	COIL, HEAT RECOVERY
	1	21	PBLDALD08N040	073-18243-000	DECK, BLOWER (REAR)
	1	21	PBLDBLD12N060, BLD12N080	073-18244-000	DECK, BLOWER (REAR)
	1	21	PBLDCLD16N080	073-18253-000	DECK, BLOWER (REAR)
	1	21	PBLDCLD20N100	073-18245-000	DECK, BLOWER (REAR)
	1	21	PBLDDL20N120	073-18246-000	DECK, BLOWER (REAR)
	1	22	PBLDALD08N040	073-17976-000	DECK, BLOWER (FRONT)
	1	22	PBLDBLD12N060, BLD12N080	073-17977-000	DECK, BLOWER (FRONT)
	1	22	PBLDCLD16N080, CLD20N100	073-17978-000	DECK, BLOWER (FRONT)
	1	22	PBLDDL20N120	073-17979-000	DECK, BLOWER (FRONT)
	1	23	PBLDALD08N040	373-17980-002	HEAT EXCHANGER ASS'Y (2-CELL)
	1	23	PBLDBLD12N060	373-17980-003	HEAT EXCHANGER ASS'Y (3-CELL)
	1	23	PBLDBLD12N080	373-17980-004	HEAT EXCHANGER ASS'Y (4-CELL)
	1	23	PBLDCLD16N080	373-17980-014	HEAT EXCHANGER ASS'Y (4-CELL)
	1	23	PBLDCLD20N100	373-17980-005	HEAT EXCHANGER ASS'Y (5-CELL)
	1	23	PBLDDL20N120	373-17980-006	HEAT EXCHANGER ASS'Y (6-CELL)
	1	24	PBLDALD08N040	029-22130-002	MANIFOLD, GAS
	1	24	PBLDBLD12N060	029-22130-003	MANIFOLD, GAS
	1	24	PBLDBLD12N080, CLD16N080	029-22130-004	MANIFOLD, GAS
	1	24	PBLDCLD20N100	029-22130-005	MANIFOLD, GAS
	1	24	PBLDDL20N120	029-22130-006	MANIFOLD, GAS
	1	25	PBLDALD08N040	073-17988-001	PANEL, BASE
	1	25	PBLDBLD12N060, BLD12N080	073-17988-002	PANEL, BASE
	1	25	PBLDCLD16N080, CLD20N100	073-17988-003	PANEL, BASE
	1	25	PBLDDL20N120	073-17988-004	PANEL, BASE
	1	26	PBLDALD08N040	328-12451-000	PAN, CONDENSATE
	1	26	PBLDBLD12N060	328-12452-000	PAN, CONDENSATE
	1	26	PBLDBLD12N080	328-12453-000	PAN, CONDENSATE
	1	26	PBLDCLD16N080	328-12489-000	PAN, CONDENSATE
	1	26	PBLDCLD20N100	328-12454-000	PAN, CONDENSATE
	1	26	PBLDDL20N120	328-12455-000	PAN, CONDENSATE
	1	27	PBLDALD08N040	373-14526-001	PANEL, BURNER BOX (FRONT) (1)
	1	27	PBLDBLD12N060	373-14526-002	PANEL, BURNER BOX (FRONT) (1)
	1	27	PBLDBLD12N080, CLD16N080	373-14526-003	PANEL, BURNER BOX (FRONT) (1)
	1	27	PBLDCLD20N100	373-14526-004	PANEL, BURNER BOX (FRONT) (1)
	1	27	PBLDDL20N120	373-14526-005	PANEL, BURNER BOX (FRONT) (1)

NOTES: * Not Shown
Major components and suggested stocking items are shown with shaded item numbers.
New replacement parts shown in **bold face** type at the first printing of Parts List code dated 2/98.
(1) Includes observation port, grommet and gasket.

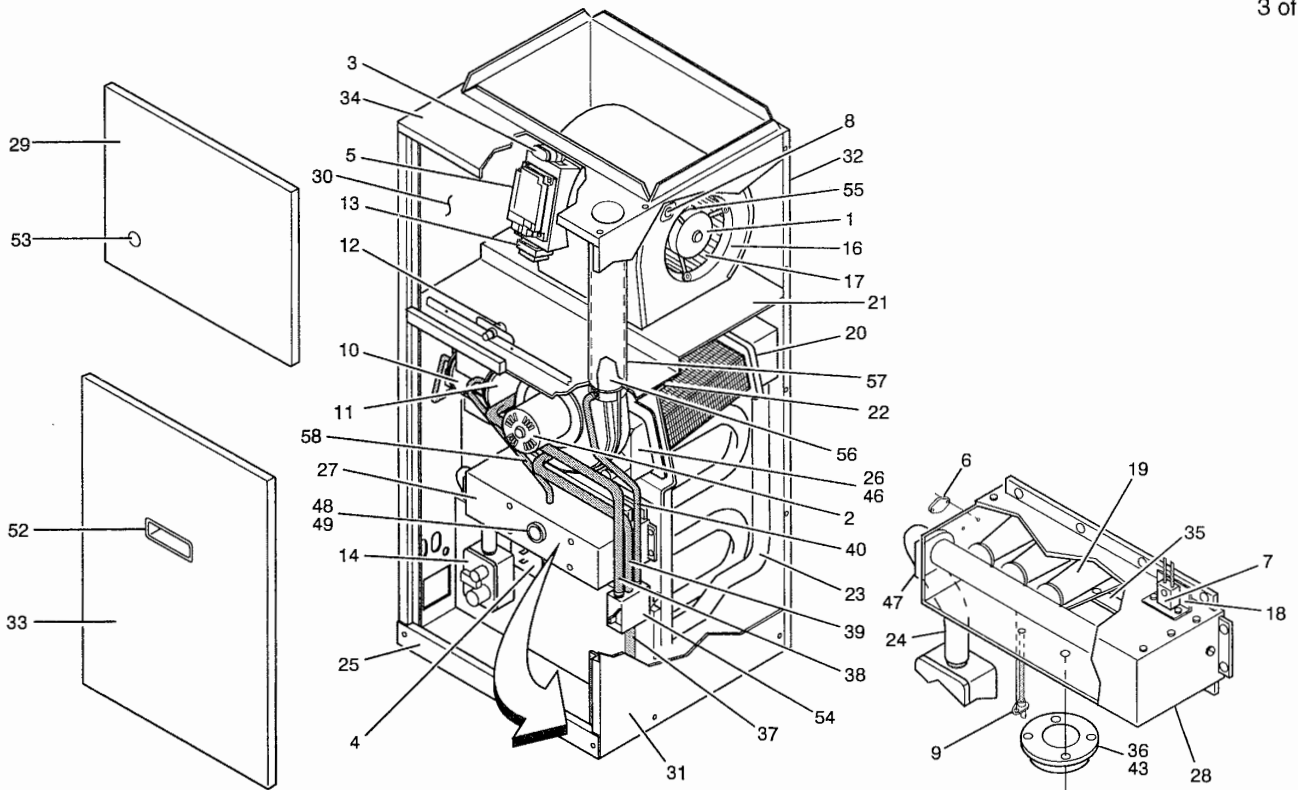



FIG. 1 – DOWN-FLOW NATURAL GAS FURNACES (90+)

SECTION	FIG	ITEM	MODEL	PART NUMBER	DESCRIPTION
FABRICATED					
PARTS (CONT.)	1	28	PBLDALD08N040	073-14542-000	WRAPPER, BURNER BOX
	1	28	PBLDBLD12N060	073-14543-000	WRAPPER, BURNER BOX
	1	28	PBLDBLD12N080, CLD16N080	073-14544-000	WRAPPER, BURNER BOX
	1	28	PBLDCLD20N100	073-14545-000	WRAPPER, BURNER BOX
	1	28	PBLDDLD20N120	073-14546-000	WRAPPER, BURNER BOX
	1	29	PBLDALD08N040	073-17987-011	PANEL, FRONT (BLOWER)
	1	29	PBLDBLD12N060, BLD12N080	073-17987-012	PANEL, FRONT (BLOWER)
	1	29	PBLDCLD16N080, CLD20N100	073-17987-013	PANEL, FRONT (BLOWER)
	1	29	PBLDDLD20N120	073-17987-014	PANEL, FRONT (BLOWER)
	1	30	ALL	373-18007-001	WRAPPER, LEFT SIDE
	1	31	ALL	373-18008-001	WRAPPER, RIGHT SIDE
	1	32	PBLDALD08N040	373-18009-001	WRAPPER, REAR
	1	32	PBLDBLD12N060, BLD12N080	373-18009-002	WRAPPER, REAR
	1	32	PBLDCLD16N080, CLD20N100	373-18009-003	WRAPPER, REAR
	1	32	PBLDDLD20N120	373-18009-004	WRAPPER, REAR
	1	33	PBLDALD08N040	073-17975-001	PANEL, FRONT (BURNER)
	1	33	PBLDBLD12N060, BLD12N080	073-17975-002	PANEL, FRONT (BURNER)
	1	33	PBLDCLD16N080, CLD20N100	073-17975-003	PANEL, FRONT (BURNER)
	1	33	PBLDDLD20N120	073-17975-004	PANEL, FRONT (BURNER)
	1	34	PBLDALD08N040	073-17986-001	PANEL, TOP
	1	34	PBLDBLD12N060, BLD12N080	073-17986-002	PANEL, TOP
	1	34	PBLDCLD16N080, CLD20N100	073-17986-003	PANEL, TOP
	1	34	PBLDDLD20N120	073-17986-004	PANEL, TOP
	1	35	PBLDALD08N040	073-17454-000	SUPPORT, BURNER
	1	35	PBLDBLD12N060	073-17455-000	SUPPORT, BURNER
	1	35	PBLDBLD12N080, CLD16N080	073-17456-000	SUPPORT, BURNER
	1	35	PBLDCLD20N100	073-17457-000	SUPPORT, BURNER
	1	35	PBLDDLD20N120	073-17458-000	SUPPORT, BURNER

NOTES: * Not Shown
Major components and suggested stocking items are shown with shaded item numbers. 
New replacement parts shown in **bold face type** at the first printing of Parts List code dated 2/98.

SECTION	FIG	ITEM	MODEL	PART NUMBER	DESCRIPTION
MISC.					
	1	36	ALL (EXCEPT PBLDDLD20N120)	028-11289-000	CONNECTOR, AIR INTAKE 2"
	1	36	PBLDDLD20N120	028-11290-000	CONNECTOR, AIR INTAKE 3"
	1	37	ALL	028-13309-004	TUBE, CONDENSATE TRAP DRAIN
	1	38	ALL	028-13306-000	TUBE, CONDENSATE PAN DRAIN
	1	39	ALL	028-13307-000	TUBE, INDUCER DRAIN
	1	40	ALL	028-13308-000	TUBE, RAINGUTTER DRAIN
	*	41	ALL	026-23050-004	FILTER 1 x 14 x 20 (2-REQ'D)
	*	42	ALL	373-18262-001	FILTER, CHANNEL
	1	43	ALL (EXCEPT PBLDDLD20N120)	028-12460-001	GASKET, AIR INTAKE 2"
	1	43	PBLDDLD20N120	028-12460-002	GASKET, AIR INTAKE 3"
	*	44	PBLDALD08N040	028-12459-001	GASKET, BURNER BOX
	*	44	PBLDBLD12N060	028-12459-002	GASKET, BURNER BOX
	*	44	PBLDBLD12N080, CLD16N080	028-12459-003	GASKET, BURNER BOX
	*	44	PBLDCLD20N100	028-12459-004	GASKET, BURNER BOX
	*	44	PBLDDLD20N120	028-12459-005	GASKET, BURNER BOX
	*	45	ALL	028-12498-000	GASKET, COMBUSTION BLOWER
	1	46	PBLDALD08N040	028-12458-001	GASKET, CONDENSATE PAN
	1	46	PBLDBLD12N060, BLD12N080	028-12458-002	GASKET, CONDENSATE PAN
	1	46	PBLDCLD16N080, CLD20N100	028-12458-003	GASKET, CONDENSATE PAN
	1	46	PBLDDLD20N120	028-12458-004	GASKET, CONDENSATE PAN
	1	47	ALL	028-12465-000	GROMMET, MANIFOLD SEAL
	1	48	ALL	028-11284-000	GROMMET, OBSERVATION PORT
	1	49	ALL	028-11285-000	PORT, OBSERVATION (GLASS)
	*	50	ALL	029-21182-045	ORIFICE, BURNER (NATURAL #45)
	*	51	PBLDALD08N040	028-13244-001	GASKET, HEAT SHIELD
	*	51	PBLDBLD12N060	028-13244-002	GASKET, HEAT SHIELD
	*	51	PBLDBLD12N080, CLD16N080	028-13244-003	GASKET, HEAT SHIELD
	*	51	PBLDCLD20N100	028-13244-004	GASKET, HEAT SHIELD
	*	51	PBLDDLD20N120	028-13244-005	GASKET, HEAT SHIELD
	1	52	ALL	029-22113-000	HANDLE, DOOR
	1	53	ALL	028-30899-000	PLUG, WINDOW
	1	54	ALL	028-13241-000	TRAP, CONDENSATE
	1	55	ALL	026-31459-000	MOUNT, MOTOR
	1	56	ALL	028-13298-000	EXHAUST, VENT PIPE
	1	57	ALL	026-35453-003	CHASE, VENT
	1	58	ALL	028-11957-000	TUBING, PRESSURE SWITCH
	*	59	ALL	035-14304-000	WIRING DIAGRAM

NOTES: * Not Shown
Major components and suggested stocking items are shown with shaded item numbers.
New replacement parts shown in **bold face** type at the first printing of Parts List code dated 2/98.

FIELD INSTALLED ACCESSORIES – Non-Electrical

MODEL NO.	DESCRIPTION	USED WITH
1NP0347	Propane (LP) Conversion Kit	All Models
1CT0302	Concentric Intake/Vent - 2"	40, 60, 80 & 100 MBH Models
1CT0303	Concentric Intake/Vent - 3"	120 MBH Model
1PS0306	High Altitude Pressure Switch Kit (Does not include orifices)	For Application Information, See Form 650.75-N2.1V
1PS0307		
1PS0308		
1PS0309		
1PS0310		
1CB0314	Combustible Floor Base for Downflow Units	PBLD "A" Cabinets (14-1/2")
1CB0317		PBLD "B" Cabinets (17-1/2")
1CB0321		PBLD "C" Cabinets (21")
1CB0324		PBLD "D" Cabinets (24-1/2")