

FIG. 4 - SHOWN IN DOWNFLOW CONFIGURATION

SECTION	FIG	ITEM	DESCRIPTION	PADP-LD20N100 PAUP-LD20N100 (4 BURNER)	PADP-LD20N125 PAUP-LD20N125 (5 BURNER)
FABRICATED PARTS					
	4	22	HEAT EXCHANGER ASSY.	026-34718-007	026-34718-008
	4	23	TUBE, PRESSURE	026-34025-000	026-34025-000
	4	24	BEZEL PLATE	035-13508-000	035-13508-000
	4	25	PANEL, BOTTOM CASING	026-34745-003	026-34745-003
	4	26	PANEL, DOOR	026-34744-003	026-34744-003
	4	27	PANEL, TOP	026-34717-003	026-34717-003
	4	28	TRANSITION	026-34746-000	026-34746-000
	4	29	MOTOR MOUNTS (RUBBER) QTY. OF 3	026-34736-000	026-34736-000
	4	30	ORIFICE, GAS (NATURAL) #42	026-34045-000	026-34045-000

NOTES: * Not Shown
New replacement parts shown in **bold face** type at the first printing of Parts List code dated 2/97.
Major components and suggested stocking items are shown with shaded item number.
"←" At side of page indicates change was made in that row.
"←" Across from model number indicates entire publication is new.

GAS ORIFICES (LP - 0 - 2000 FT.) #54	026-34046-000
GAS ORIFICES (LP HIGH ALT. - 2000 - 7000 FT.) #55	029-22104-000
GAS ORIFICES (NAT. HIGH ALT. - 2000 - 5000 FT.) #43	026-34080-000
GAS ORIFICES (NAT. HIGH ALT. - 5000 - 7000 FT.) #44	026-34081-000

ACCESSORIES		
PADP-LD12N050 PADP-LD12N075	1FB0318	COMBUSTIBLE FLOOR SUB-BASE
PADP-LD16N075 PADP-LD16N100	1FB0319	COMBUSTIBLE FLOOR SUB-BASE
PADP-LD20N100 PADP-LD20N125	1FB0320	COMBUSTIBLE FLOOR SUB-BASE
ALL MODELS	1NP0364	CONVERSION KIT - NATURAL GAS TO LP GAS
ALL MODELS	1NP0365	CONVERSION KIT - NATURAL GAS TO LP GAS - HIGH ALTITUDE

REPLACEMENT PARTS

PAUP/PADP 4-POSITION FURNACE

Supersedes: Nothing

e 650.66-RP1W (297)

1 of 4

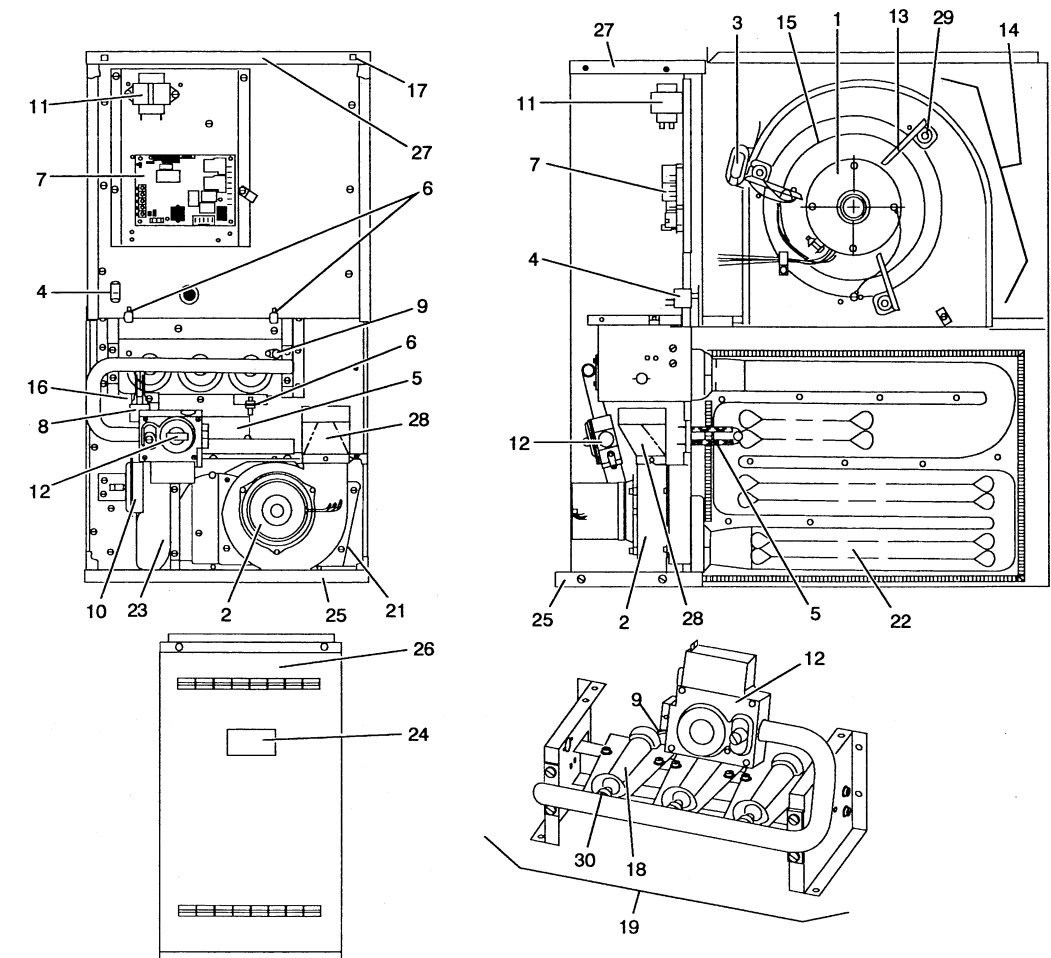


FIG. 1 - SHOWN IN DOWNFLOW CONFIGURATION

SECTION	FIG	ITEM	DESCRIPTION	PADP-LD12N050 PAUP-LD12N050 (2 BURNER)	PADP-LD12N075 PAUP-LD12N075 (3 BURNER)	PADP-LD16N075 PAUP-LD16N075 (3 BURNER)	PADP-LD16N100 PAUP-LD16N100 (4 BURNER)
MOTORS							
	1	1	MOTOR, DIRECT DRIVE BLOWER	026-34035-002	026-34035-002	026-34035-003	026-34035-003
	1	2	MOTOR, VENTOR (ASS'Y)	026-34024-000	026-34024-000	026-34024-000	026-34024-000
ELECTRICAL							
	1	3	CAPACITOR, RUNNING (7.5MFD/370V)	026-34033-001	026-34033-001	- - -	- - -
	1	3	CAPACITOR, RUNNING (10MFD/370V)	- - -	- - -	026-34033-002	026-34033-002
	1	4	SWITCH, DOOR	026-34029-000	026-34029-000	026-34029-000	026-34029-000
	1	5	SWITCH, LIMIT	026-34028-001	026-34726-001	026-34028-005	026-34726-001
	1	6	CONTROL, FLAME ROLL-OUT	026-34027-000	026-34027-000	026-34027-000	026-34027-000
	1	7	CONTROL, FURNACE	031-01267-000	031-01267-000	031-01267-000	031-01267-000
	1	8	IGNITION (HOT SURFACE)	025-32625-000	025-32625-000	025-32625-000	025-32625-000
	1	9	SENSOR, FLAME	025-27731-001	025-27731-001	025-27731-001	025-27731-001
	1	10	SWITCH, AIR PRESSURE	026-34026-002	026-34026-002	026-34026-002	026-34026-003
	1	11	TRANSFORMER	026-34032-000	026-34032-000	026-34032-000	026-34032-000
	1	12	VALVE, GAS	025-32643-000	025-32643-000	025-32643-000	025-32643-000
AIR MOVING							
	1	13	HANGER, BLOWER MOTOR	026-34036-002	026-34036-002	026-34036-002	026-34036-002
	1	14	BLOWER ASSEMBLY	026-34054-002	026-34054-002	026-34054-003	026-34054-003

NOTES: * Not Shown
New replacement parts shown in **bold face** type at the first printing of Parts List code dated 2/97.
Major components and suggested stocking items are shown with shaded item number.
"←" At side of page indicates change was made in that row.
"←" Across from model number indicates entire publication is new.

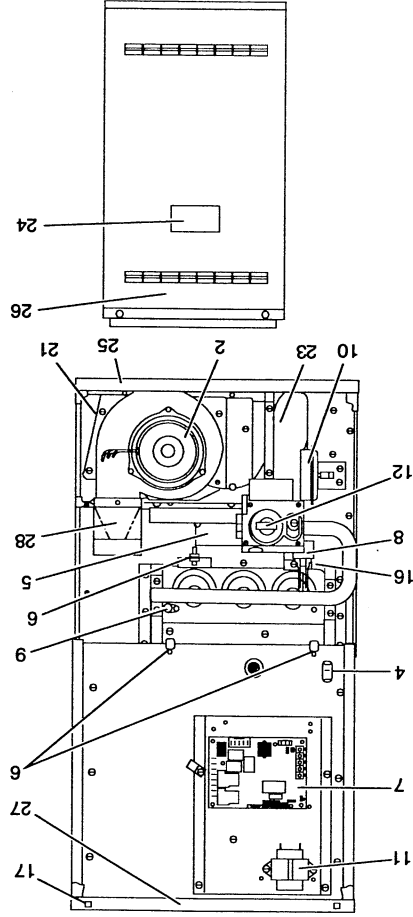


FIG. 2 - SHOWN IN DOWNFLOW CONFIGURATION

SECTION	FIG	ITEM	DESCRIPTION
FABRICATED	1	15	WHEEL, BLOWER
PARTS	2	16	BRACKET, IGNITOR (2 BURNER) (3 BURNER) (4 BURNER)
	2	17	DOOR LATCH (QTY. OF 2)
	2	18	BURNER, MAIN GAS
	2	19	BURNER ASSEMBLY
	*	20	HARNESS, WIRING
	2	21	GASKET, VENT BLOWER
	2	22	HEAT EXCHANGER ASSY
	2	23	TUBE, PRESSURE
	2	24	BEZEL PLATE
	2	25	PANEL, BOTTOM CASING
	2	26	PANEL, DOOR
	2	27	PANEL, TOP
	2	28	TRANSITION
	2	29	MOTOR MOUNTS (RUBBER) QTY. OF 3
	2	30	ORIFICE, GAS (NATURAL) #42

NOTES: * Not Shown
 New replacement parts shown in **bold face** type at the first printing of Parts List code dated 2/97.
 Major components and suggested stocking items are shown with shaded item number.
 At side of page indicates change was made in that row.
 ">" Across from model number indicates entire publication is new.

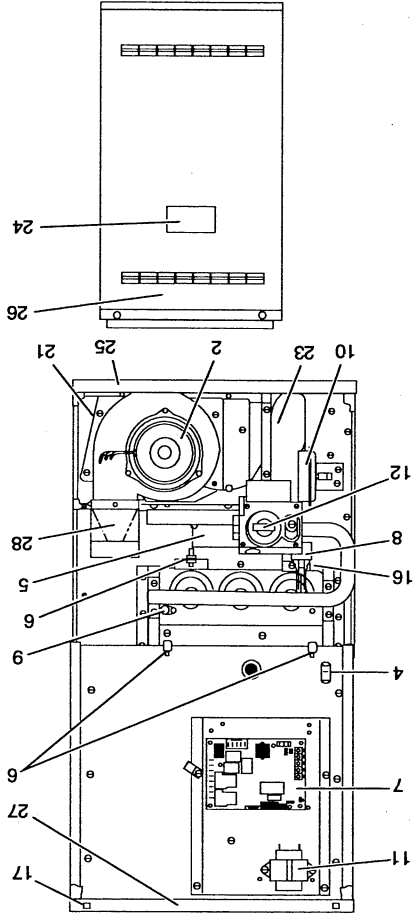
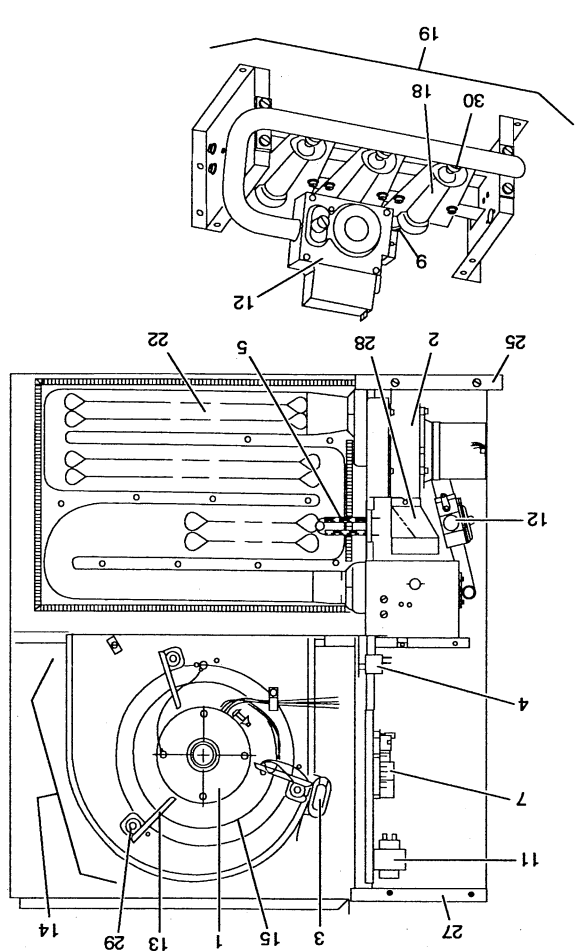


FIG. 3 - SHOWN IN DOWNFLOW CONFIGURATION



SECTION	FIG	ITEM	DESCRIPTION
			PADP-LD20N125 >
			PAUP-LD20N100 >
MOTORS			(4 BURNER) (5 BURNER)
	3	1	MOTOR, DIRECT DRIVE BLOWER
	3	2	MOTOR, VENTOR (ASS'Y)
ELECTRICAL			
	3	3	CAPACITOR, RUNNING (10MFD/370V)
	3	4	SWITCH, DOOR
	3	5	SWITCH, LIMIT
	3	6	CONTROL, FLAME ROLL-OUT
	3	7	CONTROL, FURNACE
	3	8	IGNITION (HOT SURFACE)
	3	9	SENSOR, FLAME
	3	10	SWITCH, AIR PRESSURE
	3	11	TRANSFORMER
	3	12	VALVE, GAS
AIR MOVING			
	3	13	HANGER, BLOWER MOTOR
	3	14	BLOWER ASSEMBLY
	3	15	WHEEL, BLOWER (CW)
	3	15	WHEEL, BLOWER (CCW)
	3	16	BRACKET, IGNITOR
	3	17	DOOR LATCH (QTY. OF 2)
	3	18	BURNER, MAIN GAS
	3	19	BURNER ASSEMBLY
	3	20	HARNESS, WIRING
	3	21	GASKET, VENT BLOWER

NOTES: * Not Shown
 New replacement parts shown in **bold face** type at the first printing of Parts List code dated 2/97.
 Major components and suggested stocking items are shown with shaded item number.
 At side of page indicates change was made in that row.
 ">" Across from model number indicates entire publication is new.