

FIG. 4 - COUNTERFLOW FURNACES (80 +)

SECTION	FIG	ITEM	DESCRIPTION	PCMD-LD16N095A/B (5 BURNERS)	PCMD-LD16N114A/B (6 BURNERS)	PCMD-LD20N133A (7 BURNERS)
FABRICATED						
PARTS	4	29	MANIFOLD, GAS	029-20419-004	029-20419-005	029-20419-006
	4	30	PANEL, ACCESS (VESTIBULE) (STYLE "A")	073-01354-733	073-01354-733	073-01354-734
	4	30	PANEL, ACCESS (VESTIBULE) (STYLE "B")	073-01354-013	073-01354-013	073-01354-014
	4	31	PANEL, BASE	073-03925-002	073-03925-002	073-03925-003
	4	32	PANEL, FRONT (BLOWER) (STYLE "A")	073-02947-732	073-02947-732	073-02947-733
	4	32	PANEL, FRONT (BLOWER) (STYLE "B")	073-02947-012	073-02947-012	073-02947-013
	4	33	PANEL, TOP	073-02948-002	073-02948-002	073-02948-003
	4	34	WRAPPER, REAR	373-03409-704	373-03409-704	373-03409-705
	4	35	WRAPPER, RH	373-03409-701	373-03409-701	373-03409-701
	4	36	WRAPPER, LH	373-03409-702	373-03409-702	373-03409-702
	*	37	PANEL, VESTIBULE	373-01213-020	373-01213-021	373-01213-022
MISCELLANEOUS						
	*	38	FILTER, AIR (2 REQ'D.)	026-23050-004 (1/2x14x20)	026-23050-004 (1/2x14x20)	026-23050-004 (1/2x14x20)
	4	39	GASKET, FLUE FAN	010-05450-000	010-05450-000	010-05450-000
	4	40	GASKET, LIMIT CONTROL	028-09413-000	028-09413-000	028-09413-000
	4	41	ORIFICE, BURNER (NATURAL #45)	029-20338-003	029-20338-003	029-20338-003
	*	42	PLUG, ELECTRIC (MALE, 2 CIRCUIT)	025-19672-900	025-19672-900	025-19672-900
	4	43	PLUG, ELECTRIC (MALE, 8 CIRCUIT)	025-25426-000	025-25426-000	025-25426-000
	4	44	PLUG, ELECTRIC (MALE, 8 CIRCUIT)	025-25428-000	025-25428-000	025-25428-000
	*	45	RACK, FILTER	062-93780-000	062-93780-000	062-93780-000
	4	46	RECEPTICAL, ELEC. (FEMALE, 8 CIRCUIT)	025-25427-000	025-25427-000	025-25427-000
	4	47	RECEPTICAL, ELEC. (FEMALE, 8 CIRCUIT)	025-25430-000	025-25430-000	025-25430-000
	4	48	RECEPTICAL, ELEC. (FEMALE, 9 CIRCUIT)	025-21191-900	025-21191-900	025-21191-900
	4	49	REDUCER, FLUE	026-31243-000	026-31243-000	026-31243-000
	*	50	TERMINAL, ELECTRICAL (PIN)	025-20533-900	025-20533-900	025-20533-900
	*	51	TERMINAL, ELECTRICAL (PIN) (1)	025-20919-900	025-20919-900	025-20919-900
	*	52	TERMINAL, ELECTRICAL (SOCKET)	025-19673-900	025-19673-900	025-19673-900
	*	53	TUBING, RUBBER	028-11957-000	028-11957-000	028-11957-000
	*	54	MOTOR MOUNT (ARM)	026-23777-000	026-23777-000	- - -
	*	55	MOTOR MOUNT (BAND)	026-23780-000	026-23780-000	- - -
	*	56	KIT, MOTOR MOUNT	- - -	- - -	373-08073-000

* NOT SHOWN (1) SPLIT PIN MUST BE USED IN RECEPTICALS WITH 6 OR MORE CIRCUITS.

NOTE: ALL PARTS FOR LOW NOX MODELS ARE THE SAME AS "PCMD-N**" MODELS WITH THE EXCEPTION OF THE FOLLOWING:

DESCRIPTION	PCMD-LD08L057A/B	PCMD-LD12L076A/B	PCMD-LD16L095A/B
BURNER, MAIN GAS	029-20418-008	029-20418-009	029-20418-010
ROD, NOX **	026-25522-002	026-25522-002	026-25522-002

** 2 PER BURNER

REPLACEMENT PARTS

PCMD (STYLES "A" & "B") HOT SURFACE IGNITION COUNTERFLOW FURNACES (INCLUDES LOW NOX)

Supersedes: 650.64-RP3W(1193)

650.64-RP3W(394)

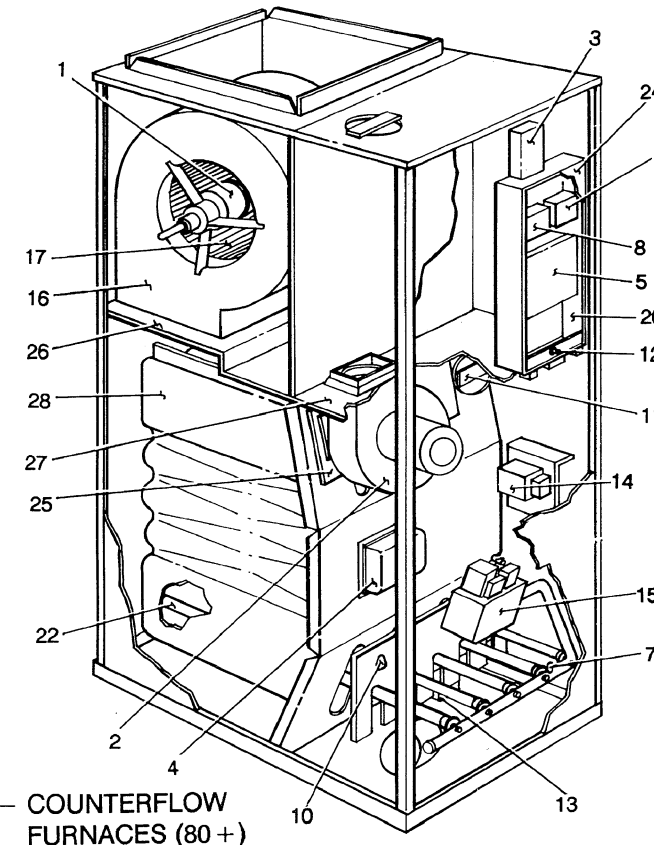


FIG. 1 - COUNTERFLOW FURNACES (80 +)

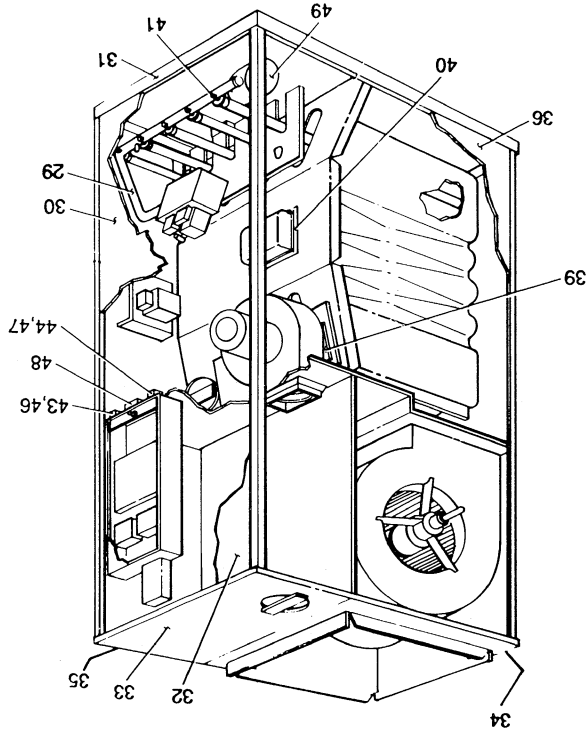
NOTE: SEE PAGE 4 FOR LOW NOX VERSION.

Replacement parts are available from local CES NHAW contractor / dealers or the nearest CES distribution center.

SECTION	FIG	ITEM	DESCRIPTION	PCMD-LD08N057A/B (3 BURNERS)	PCMD-LD12N076A/B (4 BURNERS)	PCMD-LD12N095A/B (5 BURNERS)
MOTORS						
	1	1	MOTOR, DIRECT DRIVE BLOWER	024-25107-701	024-25108-702	024-25105-702
	1	2	MOTOR, VENTER BLOWER (W/HSG. & WHEEL)	026-31221-000	026-31221-000	026-31221-000
ELECTRICAL						
	1	3	CAPACITOR, RUN (5MFD/370V) (RC)	024-20043-000	- - -	- - -
	1	3	CAPACITOR, RUN (7.5 MFD/370V) (RC)	- - -	024-20045-000	024-20045-000
	1	4	CONTROL, FAN LIMIT	025-28709-006	025-28709-007	025-28709-007
	1	5	MODULE, CONTROL (IGNITION)	025-25436-000	025-25436-000	025-25436-000
	*	6	CONTROL, TEMPERATURE (AUX. LIMIT)	025-28670-002	025-28670-002	025-28670-002
	1	7	IGNITION, HOT SURFACE	473-05342-000	473-05342-000	473-05342-000
	1	8	RELAY, CONTROL BLOWER (1R)	024-11772-000	024-11772-000	024-11772-000
	1	9	RELAY, CONTROL (DRAFT) (3R)	024-23237-000	024-23237-000	024-23237-000
	1	10	SENSOR, FLAME	025-25434-000	025-25434-000	025-25434-000
	1	11	SWITCH, AIR PRESSURE (1LP)	024-25255-000	024-25256-000	024-25256-000
	1	12	SWITCH, CONTROL (SW)	024-20864-000	024-20864-000	024-20864-000
	1	13	SWITCH, FLAME ROLL-OUT	025-27747-013	025-27747-007	025-27747-011
	1	14	TRANSFORMER	025-21911-001	025-21911-001	025-21911-001
	1	15	VALVE, GAS	025-25437-000	025-25437-000	025-25437-000
AIR MOVING						
	1	16	HOUSING, BLOWER	363-78000-003	363-78000-004	363-78000-005
	1	17	WHEEL, BLOWER	026-19654-007	026-19654-003	026-19654-011
FABRICATED						
PARTS	*	18	SHIELD, SECONDARY AIR	073-03430-001	073-03430-002	073-03430-003
	*	19	BAFFLE, FLUE	063-93162-000	063-93162-000	063-93162-000
	1	20	BOX, CONTROL	063-93201-000	063-93201-000	063-93201-000
	*	21	BRACKET, HOT SURFACE IGNITION	073-03428-000	073-03428-000	073-03428-000
	1	22	BURNER, MAIN GAS (2)	029-20418-002	029-20418-003	029-20418-004
	*	23	BAFFLE, FAN LIMIT	- - -	373-05179-001	- - -
	1	24	COVER, CONTROL BOX	063-93203-000	063-93203-000	063-93203-000
	1	25	COVER, FLUE BOX	373-02360-006	373-02360-007	373-02360-010
	1	26	DECK, BLOWER (REAR)	073-08539-002	073-08539-003	073-08539-004
	1	27	DECK, FRONT	073-03524-000	073-03524-000	073-03525-000
	1	28	HEAT EXCHANGER ASS'Y (PRIMARY)	373-01520-040	373-01520-041	373-01520-042

* NOT SHOWN

(2) CHECK TABLE ON PAGE 4 FOR LOW NOX VERSIONS.



SECTION	FIG	ITEM	DESCRIPTION	PCMD-LD08N057A/B	PCMD-LD12N076A/B	PCMD-LD12N095A/B
FABRICATED	2	29	MANIFOLD, GAS	029-20419-002	029-20419-003	(3 BURNERS)
PARTS	2	30	PANEL, ACCESS (VESTIBULE)	073-01354-732	073-01354-732	(5 BURNERS)
FABRICATED	2	30	PANEL, ACCESS (VESTIBULE) (STYLE "B")	073-01354-012	073-01354-012	(4 BURNERS)
FABRICATED	2	31	PANEL, BASE	073-03925-001	073-03925-001	(5 BURNERS)
FABRICATED	2	32	PANEL, FRONT (BLOWER) (STYLE "A")	073-02947-731	073-02947-731	(4 BURNERS)
FABRICATED	2	32	PANEL, FRONT (BLOWER) (STYLE "B")	073-02947-011	073-02947-011	(5 BURNERS)
FABRICATED	2	33	PANEL, TOP	073-02948-001	073-02948-001	(5 BURNERS)
FABRICATED	2	34	WRAPPER, REAR	373-03409-703	373-03409-703	(5 BURNERS)
FABRICATED	2	35	WRAPPER, RH	373-03409-701	373-03409-701	(5 BURNERS)
FABRICATED	2	36	WRAPPER, LH	373-03409-702	373-03409-702	(5 BURNERS)
MISCELLANEOUS	*	37	PANEL, VESTIBULE	373-01213-018	373-01213-019	(5 BURNERS)
FABRICATED	2	38	FILTER, AIR (2 REQ'D.)	026-23050-004	026-23050-004	(5 BURNERS)
FABRICATED	2	39	GASKET, FLUE FAN	010-05450-000	010-05450-000	(5 BURNERS)
FABRICATED	2	40	GASKET, LIMIT CONTROL	028-09413-000	028-09413-000	(5 BURNERS)
FABRICATED	2	41	ORIFICE, BURNER (NATURAL #45)	029-20338-003	029-20338-003	(5 BURNERS)
FABRICATED	2	42	PLUG, ELECTRIC (MALE, 2 CIRCUIT)	025-19672-900	025-19672-900	(5 BURNERS)
FABRICATED	2	43	PLUG, ELECTRIC (MALE, 8 CIRCUIT)	025-25426-000	025-25426-000	(5 BURNERS)
FABRICATED	2	44	PLUG, ELECTRIC (MALE, 8 CIRCUIT)	025-25428-000	025-25428-000	(5 BURNERS)
FABRICATED	2	45	RACK, FILTER	062-93780-000	062-93780-000	(5 BURNERS)
FABRICATED	2	46	RECEPTICAL, ELEC. (FEMALE, 8 CIRCUIT)	025-25427-000	025-25427-000	(5 BURNERS)
FABRICATED	2	47	RECEPTICAL, ELEC. (FEMALE, 8 CIRCUIT)	025-25430-000	025-25430-000	(5 BURNERS)
FABRICATED	2	48	RECEPTICAL, ELEC. (FEMALE, 9 CIRCUIT)	025-21191-900	025-21191-900	(5 BURNERS)
FABRICATED	2	49	REDUCER, FLUE	026-31243-000	026-31243-000	(5 BURNERS)
FABRICATED	2	50	TERMINAL, ELECTRICAL (PIN)	025-20533-900	025-20533-900	(5 BURNERS)
FABRICATED	2	51	TERMINAL, ELECTRICAL (PIN) (1)	025-20919-900	025-20919-900	(5 BURNERS)
FABRICATED	2	52	TERMINAL, ELECTRICAL (SOCKET)	025-19673-900	025-19673-900	(5 BURNERS)
FABRICATED	2	53	TUBING, RUBBER	028-11957-000	028-11957-000	(5 BURNERS)

FIG. 2 - COUNTERFLOW FURNACES (80 +)

* NOT SHOWN
(1) SPLIT PIN MUST BE USED IN RECEPTICALS WITH 6 OR MORE CIRCUITS.

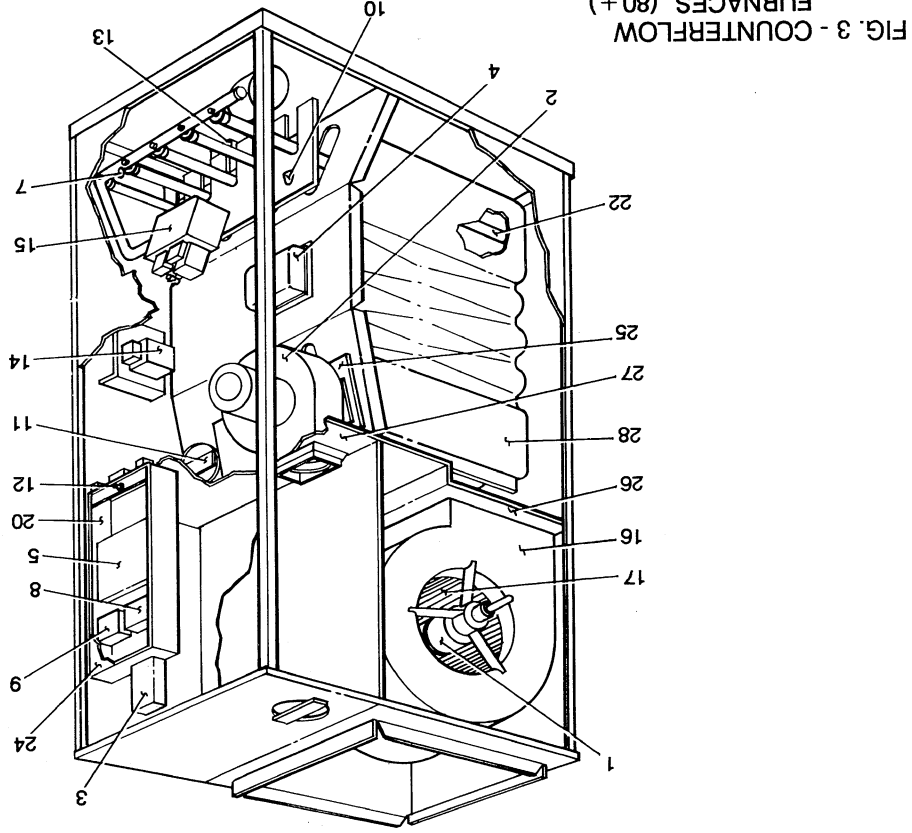


FIG. 3 - COUNTERFLOW FURNACES (80 +)

SECTION	FIG	ITEM	DESCRIPTION	PCMD-LD16N095A/B	PCMD-LD16N114A/B	PCMD-LD20N133A
MOTORS	3	1	MOTOR, DIRECT DRIVE BLOWER (7 BURNERS)	024-25113-700	024-25113-700	(7 BURNERS)
MOTORS	3	1	MOTOR, DIRECT DRIVE BLOWER (6 BURNERS)	024-25113-700	024-25113-700	(6 BURNERS)
MOTORS	3	1	MOTOR, DIRECT DRIVE BLOWER (4)	-	-	(4)
ELECTRICAL	3	2	MOTOR, VENTER BLOWER (W/HSG. & WHEEL)	026-31221-000	026-31221-000	026-31221-000
ELECTRICAL	3	3	CAPACITOR, RUN (10 MFD/370V) (RC)	024-20046-000	024-20046-000	-
ELECTRICAL	3	3	CAPACITOR, RUN (15 MFD/370V) (RC)	-	-	-
ELECTRICAL	3	4	CONTROL, FAN LIMIT	025-28709-014	025-28709-010	025-28709-008
ELECTRICAL	3	5	MODULE, CONTROL (IGNITION)	025-25436-000	025-25436-000	025-25436-000
ELECTRICAL	3	6	CONTROL, TEMPERATURE (AUX. LIMIT)	025-28670-002	025-28670-002	025-28670-002
ELECTRICAL	3	7	IGNITION, HOT SURFACE	473-05342-000	473-05342-000	473-05342-000
ELECTRICAL	3	8	RELAY, CONTROL BLOWER (LR)	024-11772-000	024-11772-000	024-11772-000
ELECTRICAL	3	9	RELAY, CONTROL (DRAFT) (3R)	024-23237-000	024-23237-000	024-23237-000
ELECTRICAL	3	10	SENSOR, FLAME	025-25434-000	025-25434-000	025-25434-000
ELECTRICAL	3	11	SWITCH, AIR PRESSURE (1LP)	024-25006-000	024-25006-010	024-25006-010
ELECTRICAL	3	12	SWITCH, CONTROL (SM)	024-20864-000	024-20864-000	024-20864-000
ELECTRICAL	3	13	SWITCH, FLAME ROLL-OUT	025-27747-013	025-27747-011	025-27747-013
ELECTRICAL	3	14	TRANSFORMER	025-21911-001	025-21911-001	025-21911-001
AIR MOVING	3	15	VALVE, GAS	025-25437-000	025-25437-000	025-25437-000
FABRICATED	3	16	HOUSING, BLOWER	363-78000-005	363-78000-005	373-06239-000
FABRICATED	3	17	WHEEL, BLOWER	026-19654-005	026-19654-005	026-19654-006
FABRICATED	3	18	SHIELD, SECONDARY AIR PARTS	073-03430-003	073-03430-004	073-03430-005
FABRICATED	3	19	BAFFLE, FLUE	063-93162-000	063-93162-000	063-93162-000
FABRICATED	3	20	BOX, CONTROL	063-93201-000	063-93201-000	063-93202-000
FABRICATED	3	21	BRACKET, HOT SURFACE IGNITION	073-03428-000	073-03428-000	073-03428-000
FABRICATED	3	22	BURNER, MAIN GAS (2)	029-20418-004	029-20418-005	029-20418-006
FABRICATED	3	23	BAFFLE, FAN LIMIT	373-05179-001	373-05179-003	-
FABRICATED	3	24	COVER, CONTROL BOX	063-93203-000	063-93203-000	063-93203-000
FABRICATED	3	25	COVER, FLUE BOX	373-02360-010	373-02360-011	373-02360-008
FABRICATED	3	26	DECK, BLOWER (REAR)	073-08539-004	073-08539-004	073-08539-005
FABRICATED	3	27	DECK, FRONT	073-03525-000	073-03525-000	073-03525-000
FABRICATED	3	28	HEAT EXCHANGER ASS'Y (PRIMARY)	373-01520-042	373-01520-043	373-01520-045

* NOT SHOWN

(2) CHECK TABLE ON PAGE 4 FOR LOW NOX VERSIONS
(3) ITEMS # 54 & 55 MUST BE USED WITH THIS NEW MOTOR
(4) ITEM # 56 (KIT MOTOR MOUNT) MUST BE USED WITH THIS MOTOR