

FIG. 1 - DOWNFLOW GAS FURNACES (90+)

SECTION	FIG	ITEM	DESCRIPTION	PAND-LD10N060 (3 BURNERS)	PAND-LD12N080 (4 BURNERS)	PAND-LD16N100 (5 BURNERS)	PAND-LD20N120 (6 BURNERS)
MISCELLANEOUS							
	*	53	GASKET, NEOPRENE (BURNER BOX) (FRONT)	028-12092-000	028-12092-000	028-12092-000	028-12092-000
	*	54	GASKET, NEOPRENE (BURNER BOX) (REAR)	028-11647-000	028-11647-000	028-11647-000	028-11647-000
	*	55	GROMMET, MANIFOLD SEAL	028-04859-900	028-04859-900	028-04859-900	028-04859-900
	1	56	GROMMET, OBSERVATION PORT	028-11284-000	028-11284-000	028-11284-000	028-11284-000
	*	57	ORIFICE, BURNER (NATURAL #45)	029-20338-003	029-20338-003	- - -	- - -
	*	57	ORIFICE, BURNER (NATURAL #46)	- - -	- - -	029-20338-007	029-20338-007
	*	58	PLUG, ELECTRIC (MALE, 2 CIRCUIT)	025-19672-900	025-19672-900	025-19672-900	025-19672-900
	*	59	PLUG, ELECTRIC (MALE, 8 CIRCUIT)	025-25426-000	025-25426-000	025-25426-000	025-25426-000
	*	60	PLUG, ELECTRIC (MALE, 8 CIRCUIT)	025-25428-000	025-25428-000	025-25428-000	025-25428-000
	1	61	PORT, OBSERVATION (GLASS)	028-11285-000	028-11285-000	028-11285-000	028-11285-000
	*	62	RECEPTICAL, ELEC. (FEMALE 8 CIRCUIT)	025-25427-000	025-25427-000	025-25427-000	025-25427-000
	*	63	RECEPTICAL, ELEC. (FEMALE 8 CIRCUIT)	025-25430-000	025-25430-000	025-25430-000	025-25430-000
	*	64	RECEPTICAL, ELEC. (FEMALE 9 CIRCUIT)	025-21191-900	025-21191-900	025-21191-900	025-21191-900
	*	65	RESTRICTOR PLATE (COMB. BLOWER)	028-11623-002	- - -	- - -	- - -
	*	66	TERMINAL, ELECTRICAL (PIN)	025-20533-900	025-20533-900	025-20533-900	025-20533-900
	*	67	TERMINAL, ELECTRICAL (PIN) (3)	025-20919-900	025-20919-900	025-20919-900	025-20919-900
	*	68	TERMINAL, ELECTRICAL (SOCKET)	025-19673-900	025-19673-900	025-19673-900	025-19673-900
	1	69	TRAP, CONDENSATE	028-11625-000	028-11625-000	028-11625-000	028-11625-000
	*	70	TUBING, PRESSURE & CONDENSATE	(SEE NOTE 2)	(SEE NOTE 2)	(SEE NOTE 2)	(SEE NOTE 2)
	1	71	MOUNT, MOTOR	026-31480-000	026-31480-000	026-31480-000	026-31459-000

\* NOT SHOWN

(2) TUBING IS UNREINFORCED PVC, OBTAIN LOCALLY.  
(3) SPLIT PINS MUST BE USED IN RECEPTICALS WITH 6 OR MORE CIRCUITS.

# REPLACEMENT PARTS

## PAND DOWNFLOW NATURAL GAS FURNACES (90+)

Supersedes: SEE BELOW

650.65-RP4W (1292)

Supersedes: 650.65-RP4W(1092)

1 of 4

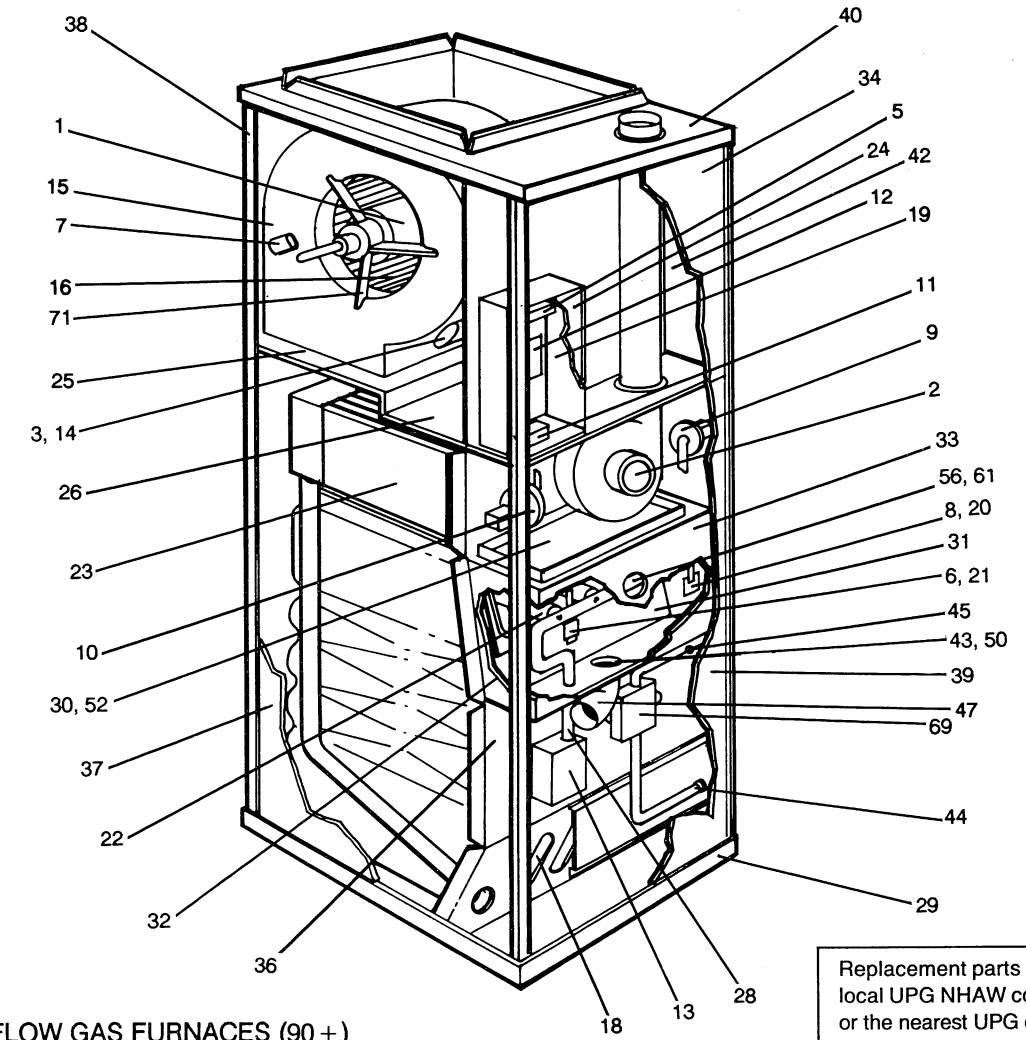
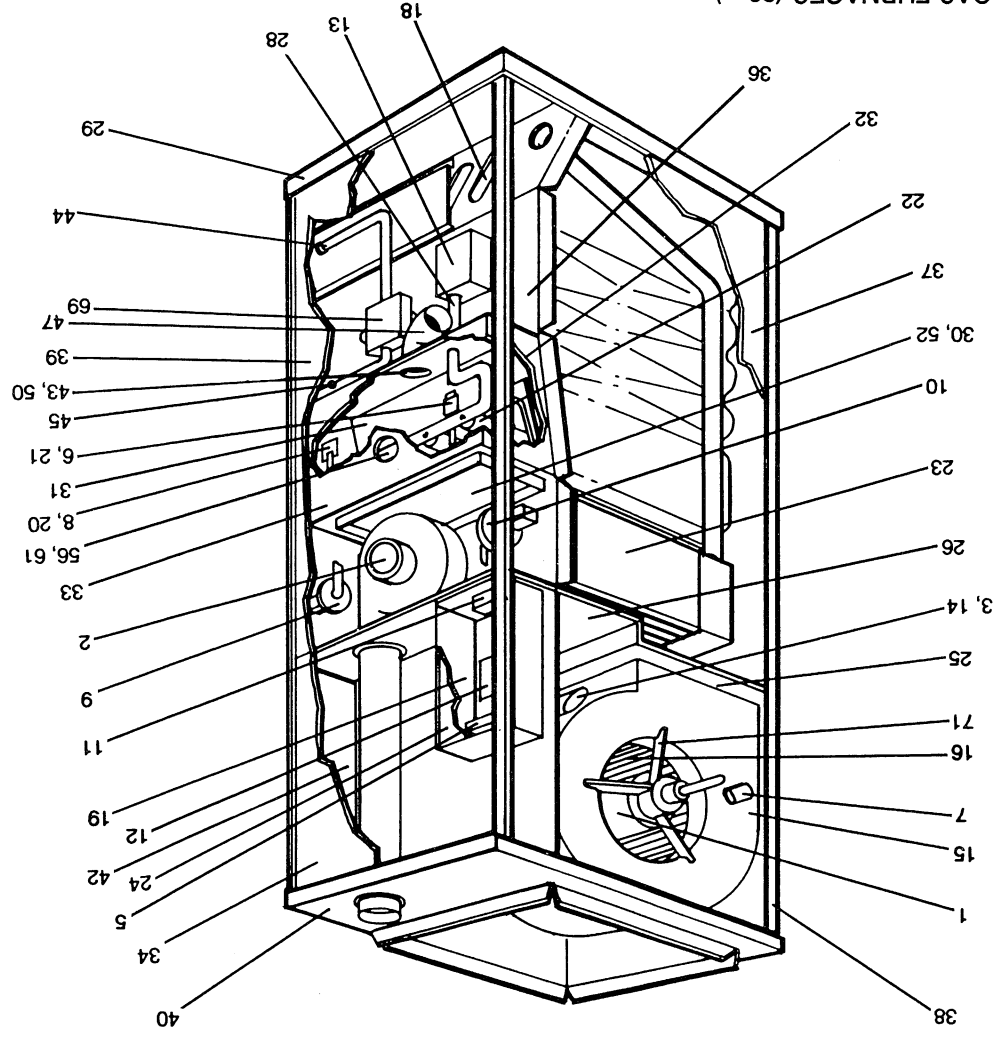


FIG. 1 - DOWNFLOW GAS FURNACES (90+)

SECTION	FIG	ITEM	DESCRIPTION	PAND-LD10N060 (3 BURNERS)	PAND-LD12N080 (4 BURNERS)	PAND-LD16N100 (5 BURNERS)	PAND-LD20N120 (6 BURNERS)
MOTORS							
	1	1	MOTOR, DIRECT DRIVE BLOWER	024-25110-700	024-25110-700	024-23238-700	024-23238-700
	1	2	MOTOR, VENTOR BLOWER (1)	024-25057-700	024-25057-700	024-25057-700	024-25057-700
ELECTRICAL							
	1	3	CAPACITOR, RUN (10MFD/370V) (RC)	- - -	024-20046-700	- - -	- - -
	1	3	CAPACITOR, RUN (7.5MFD/370V) (RC)	024-20045-000	- - -	- - -	- - -
	1	3	CAPACITOR, RUN (15MFD/370V) (RC)	- - -	- - -	024-20446-700	024-20446-700
	*	4	CONTROL, FAN LIMIT (LS)	025-29041-001	025-29093-002	025-29041-003	025-29041-004
	1	5	CONTROL, FURNACE (FC)	031-00662-700	031-00662-700	031-00662-700	031-00662-700
	1	6	IGNITOR (HOT SURFACE)	025-29043-000	025-29043-000	025-29043-000	025-29043-000
	1	7	SWITCH, AUX. LIMIT (ALS)	025-28670-003	025-28670-000	025-28670-003	025-28670-003
	1	8	SENSOR, FLAME	025-25434-000	025-25434-000	025-25434-000	025-25434-000
	1	9	SWITCH, AIR PRESSURE (2LP)	024-25329-705	024-25329-703	024-25329-703	024-25329-702
	1	10	SWITCH, AIR PRESSURE (1LP)	024-25329-706	024-25329-701	024-25329-704	024-25329-706
	1	11	SWITCH, CONTROL (DOOR)	024-20864-000	024-20864-000	024-20864-000	024-20864-000
	1	12	TRANSFORMER (1T)	025-19405-700	025-19405-700	025-19405-700	025-19405-700
	1	13	VALVE, GAS	025-25437-000	025-25437-000	025-25437-000	025-25437-000
	*	14	BOOT, RUBBER	028-04133-000	028-04133-000	028-04133-000	028-04133-000
AIR MOVING							
	1	15	HOUSING, BLOWER	363-78000-003	363-78000-004	373-07612-000	373-06239-000
	1	16	WHEEL, BLOWER	026-19654-707	026-19654-703	026-19654-705	026-19654-706

\* NOT SHOWN

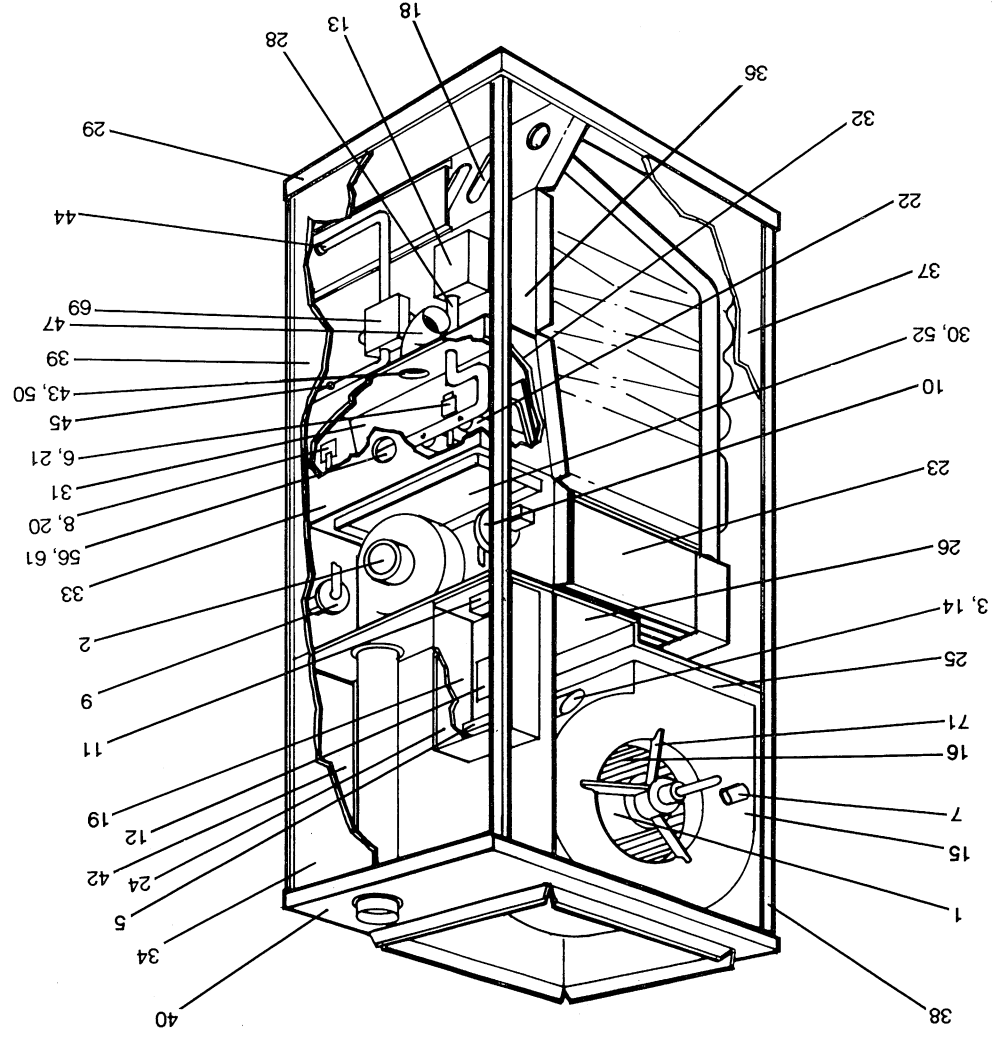
(1) ORDER COMBUSTION BLOWER GASKET WHEN REPLACING BLOWER.



SECTION	FIG	ITEM	DESCRIPTION	PAND-LD10N06	PAND-LD12N08	PAND-LD16N10	PAND-LD20N12
FABRICATED PARTS	*	17	COUPLING, CONDENSATE CPVC	363-93255-000	363-93255-000	363-93255-000	363-93255-000
		18	BAFFLE, FLUE	063-93162-000	063-93162-000	063-93162-000	063-93162-000
		19	BOX, CONTROL	073-06399-000	073-06399-000	073-06399-000	073-06399-000
		20	BRACKET, FLAME SENSOR	073-10204-000	073-10204-000	073-10204-000	073-10204-000
		21	BRACKET, HOT SURFACE IGNITOR	073-10196-000	073-10196-000	073-10196-000	073-10196-000
		22	BURNER, MAIN GAS	029-20442-000	029-20442-000	029-20442-000	029-20442-000
	*	23	COLL, HEAT RECOVERY	026-31438-001	026-31438-001	026-31438-002	026-31438-003
		24	COVER, CONTROL BOX	073-06391-000	073-06391-000	073-06391-000	073-06391-000
		25	DECK, BLOWER (REAR)	073-05114-000	073-02946-000	073-03442-000	073-02946-000
		26	DECK, FRONT	073-06389-002	073-06389-002	073-06389-003	073-06389-004
	*	27	HEAT EXCHANGER ASS'Y. (CELL)	063-90658-000	063-90658-000	063-90658-000	063-90658-000
		28	MANIFOLD	029-20441-002	029-20441-003	029-20441-004	029-20441-005
		29	PAN, BASE	073-06384-002	073-06384-002	073-06384-003	073-06384-004
		30	PAN, CONDENSATE	028-11636-005	028-11636-006	028-11636-005	028-11636-006
		31	PANEL, BURNER BOX (REAR)	073-06394-002	073-06394-003	073-06394-004	073-06394-005
		32	WRAPPER, BURNER BOX	073-06393-002	073-06393-002	073-06393-003	073-06393-003
		33	PANEL, BURNER BOX (FRONT)	073-06395-002	073-06395-002	073-06395-003	073-06395-003
		34	PANEL, FRONT (BLOWER)	073-02947-011	073-02947-011	073-02947-012	073-02947-013

\* NOT SHOWN

FIG. 1 - DOWNFLOW GAS FURNACES (90+)



SECTION	FIG	ITEM	DESCRIPTION	PAND-LD10N06	PAND-LD12N08	PAND-LD16N10	PAND-LD20N12
FABRICATED PARTS	*	35	PANEL, HEAT SHIELD	073-07524-001	073-07524-002	073-07524-003	073-07524-003
		36	PANEL, VESTIBULE	373-06383-103	373-06383-104	373-06383-105	373-06383-106
		37	WRAPPER (LH)	373-05236-013	373-05236-013	373-05236-013	373-05236-013
		38	WRAPPER (REAR)	373-05236-023	373-05236-023	373-05236-025	373-05236-026
		39	PANEL, FRONT (BURNER)	063-93241-012	063-93241-012	063-93241-013	063-93241-014
		40	PANEL, TOP	073-06400-002	073-06400-003	073-06400-003	073-06400-004
	*	41	SUPPORT, BURNER	073-06396-002	073-06396-003	073-06396-004	073-06396-005
		42	WRAPPER (RH)	373-05236-003	373-05236-003	373-05236-003	373-05236-003
MISCELLANEOUS							
		43	CONNECTOR, AIR INTAKE (BURNER BOX)	028-11289-000	028-11289-000	028-11289-000	028-11289-000
		44	CONNECTOR, CONDENSATE	363-93255-000	363-93255-000	363-93255-000	363-93255-000
		45	CONNECTOR, PRESSURE (BARBED)	028-12341-000	028-12341-000	028-12341-000	028-12341-000
	*	46	CONNECTOR, PRESSURE (BARBED TEE)	028-12329-000	028-12329-000	028-12329-000	028-12329-000
		47	ELBOW, VENTER DISCHARGE	028-12110-000	028-12110-000	028-12110-000	028-12110-000
	*	48	FILTER, AIR	026-23050-004	026-23050-004	026-23050-004	026-23050-004
				1x14x20	1x14x20	1x14x20	1x14x20
	*	49	FILTER, RACK	362-93782-000	362-93782-000	362-93782-000	362-93782-000
		50	GASKET, AIR INTAKE	028-11287-000	028-11287-000	028-11287-000	028-11287-000
	*	51	GASKET, COMBUSTION BLOWER	028-11286-000	028-11286-000	028-11286-000	028-11286-000
		52	GASKET, CONDENSATE PAN	028-12106-002	028-12106-002	028-12106-003	028-12106-003

\* NOT SHOWN

FIG. 1 - DOWNFLOW GAS FURNACES (90+)