

REPLACEMENT PARTS

PBLU UPFLOW NATURAL GAS FURNACES (90+)

Supersedes: SEE BELOW

e 650.75-RP2W (1095)

Supersedes: 650.75-RP2W (895), 650.75-RP2W (Errata 1) (995)

1 of 8
035-13121

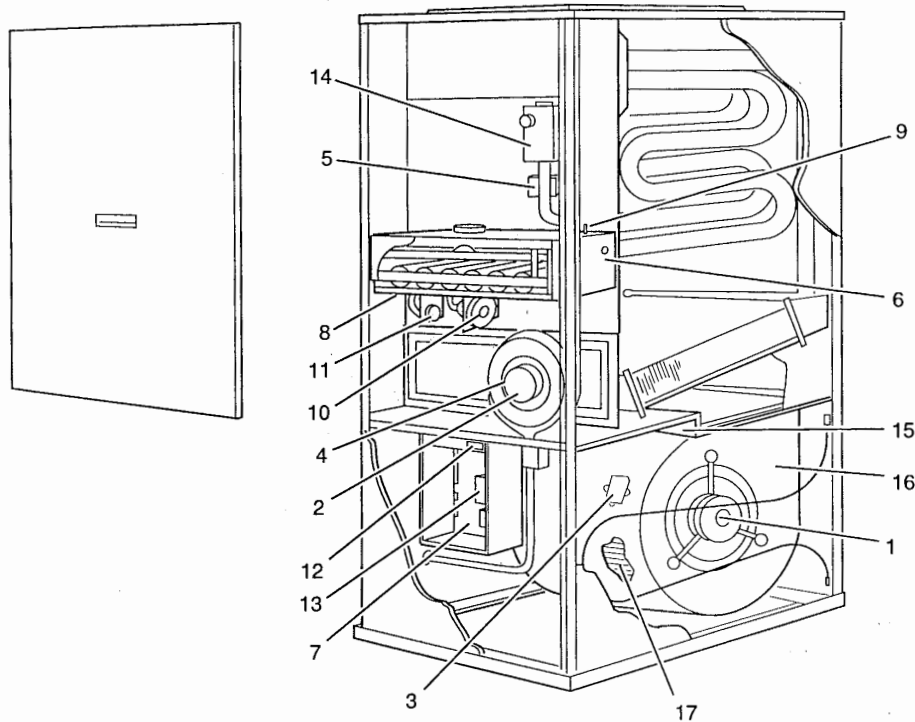


FIG. 1 - UPFLOW NATURAL GAS FURNACES (90+)

MOTORS

FIG	ITEM	DESCRIPTION	PBLU-LD08N040 (2 BURNER)	PBLU-LD10N060 (3 BURNER)	PBLU-LD12N080 (4 BURNER)	PBLU-LD16N080 (4 BURNER)
1	1	MOTOR, DIRECT DRIVE BLOWER	024-25108-703	024-25103-702	024-23271-000	024-26002-000
1	2	MOTOR, VENTOR (ASS'Y)	373-14249-701	373-14249-701	373-14249-701	373-14249-701

ELECTRICAL

1	3	CAPACITOR, RUNNING (7.5MFD/370V)	- - -	024-20045-700	024-20045-700	- - -
1	3	CAPACITOR, RUNNING (5MFD/370V)	024-20043-700	- - -	- - -	- - -
1	3	CAPACITOR, RUNNING (10MFD/370V)	- - -	- - -	- - -	024-25908-700
1	4	CAPACITOR, VENTOR (4MFD/370V)	024-20084-700	024-20084-700	024-20084-700	024-20084-700
1	5	CONTROL, HIGH LIMIT	025-29041-004	025-29041-012	025-29041-002	025-29041-004
1	6	CONTROL, FLAME ROLL-OUT	025-27792-001	025-27792-001	025-27792-001	025-27792-001
1	7	CONTROL, FURNACE	031-00662-000	031-00662-000	031-00662-000	031-00662-000
1	8	IGNITION (HOT SURFACE)	025-31801-000	025-31801-000	025-31801-000	025-31801-000
1	9	SENSOR, FLAME	025-30788-700	025-30788-700	025-30788-700	025-30788-700
1	10	SWITCH, AIR PRESSURE [1LP]	024-25997-000	024-25995-000	024-26001-000	024-25996-000
1	11	SWITCH, AIR PRESSURE [2LP]	024-25993-000	024-25994-000	024-25994-000	024-25994-000
1	12	SWITCH, DOOR	024-25811-000	024-25811-000	024-25811-000	024-25811-000
1	13	TRANSFORMER	025-30889-000	025-30889-000	025-30889-000	025-30889-000
1	14	VALVE, GAS	025-30888-000	025-30888-000	025-30888-000	025-30888-000

AIR MOVING

1	15	CUTOFF, BLOWER	- - -	- - -	063-93198-000	063-93198-000
1	16	HOUSING, BLOWER	363-78000-002	363-78000-003	363-93200-000	363-93200-000
1	17	WHEEL, BLOWER	026-19654-702	026-19654-707	026-19654-709	026-19654-709

NOTES: * NOT SHOWN

MAJOR COMPONENTS AND SUGGESTED STOCKING ITEMS ARE SHOWN WITH SHADED ITEM NUMBER.

"<" AT SIDE OF PAGE INDICATES CHANGE WAS MADE IN THAT ROW.

"<" ACROSS FROM MODEL NUMBER INDICATES ENTIRE PUBLICATION IS NEW.

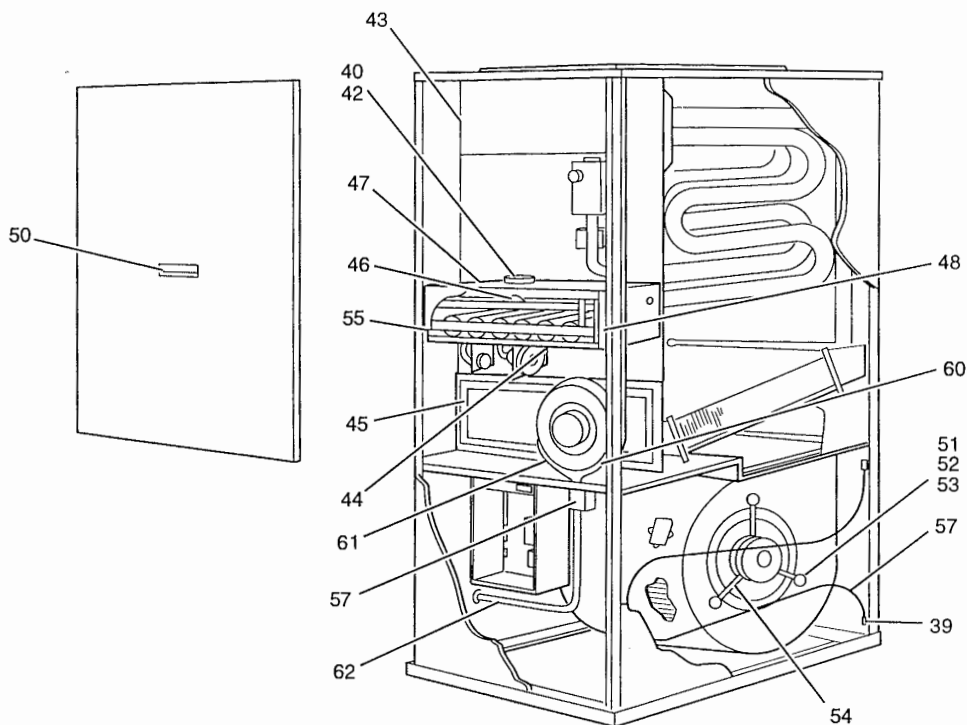


FIG. 3 - UPFLOW NATURAL GAS FURNACES (90+)

MISC.

FIG	ITEM	DESCRIPTION	PBLU-LD08N040 (2 BURNER)	PBLU-LD10N060 (3 BURNER)	PBLU-LD12N080 (4 BURNER)	PBLU-LD16N080 (4 BURNER)
3	39	CLIP, FILTER RETAINER (2-REQ'D)	021-16017-000	021-16017-000	021-16017-000	021-16017-000
3	40	COLLAR, AIR INTAKE (BURNER BOX)	028-11289-000	028-11289-000	028-11289-000	028-11289-000
*	41	FILTER, AIR (1 x 16 x 26)	026-28048-001	026-28048-001	026-28048-001	026-28048-001
3	42	GASKET, AIR INTAKE COLLAR	028-12460-001	028-12460-001	028-12460-001	028-12460-001
3	43	GASKET, HEAT EXCHANGER COVER	028-12440-001	028-12440-002	028-12440-003	028-12440-003
3	44	GASKET, COMBUSTION BLOWER	028-12498-000	028-12498-000	028-12498-000	028-12498-000
3	45	GASKET, CONDENSATE PAN	028-12458-001	028-12458-002	028-12458-002	028-12458-003
3	46	GASKET, BURNER BOX	028-11647-000	028-11647-000	028-11647-000	028-11647-000
3	47	GASKET, BURNER BOX TO VEST PANEL	028-12459-001	028-12459-002	028-12459-003	028-12459-003
3	48	GROMMET, MANIFOLD SEAL	028-12465-000	028-12465-000	028-12465-000	028-12465-000
*	49	GROMMET, OBSERVATION PORT	028-11284-000	028-11284-000	028-11284-000	028-11284-000
3	50	HANDLE, DOOR	032-00140-000	032-00140-000	032-00140-000	032-00140-000
3	51	ISOLATOR, TUBE (3-REQ'D)	- - -	- - -	028-09412-001	028-09412-001
3	52	ISOLATOR, WASHER (3-REQ'D)	- - -	- - -	028-09412-002	028-09412-002
3	53	ISOLATOR, SLEEVE (3-REQ'D)	- - -	- - -	028-09412-003	028-09412-003
3	54	MOUNT, MOTOR	- - -	- - -	026-31459-000	026-31459-000
3	55	ORIFICE, BURNER (NATURAL #44)	029-20423-044	029-20423-044	029-20423-044	029-20423-044
*	56	PORT, OBSERVATION (GLASS)	028-11285-000	028-11285-000	028-11285-000	028-11285-000
3	57	RETAINER, FILTER	026-28040-000	026-28040-000	026-28040-000	026-28040-000
3	58	TRAP, CONDENSATE	028-12482-000	028-12482-000	028-12482-000	028-12482-000
*	59	WIRING DIAGRAM	035-13126-000	035-13126-000	035-13126-000	035-13126-000
3	60	HOSE, INDUCER DRAIN	028-12463-001	028-12463-002	028-12463-002	028-12463-002
3	61	HOSE, CONDENSATE PAN DRAIN	028-12462-002	028-12462-001	028-12462-001	028-12462-001
3	62	HOSE, CONDENSATE DRAIN	028-12464-001	028-12464-001	028-12464-001	028-12464-002

* NOT SHOWN

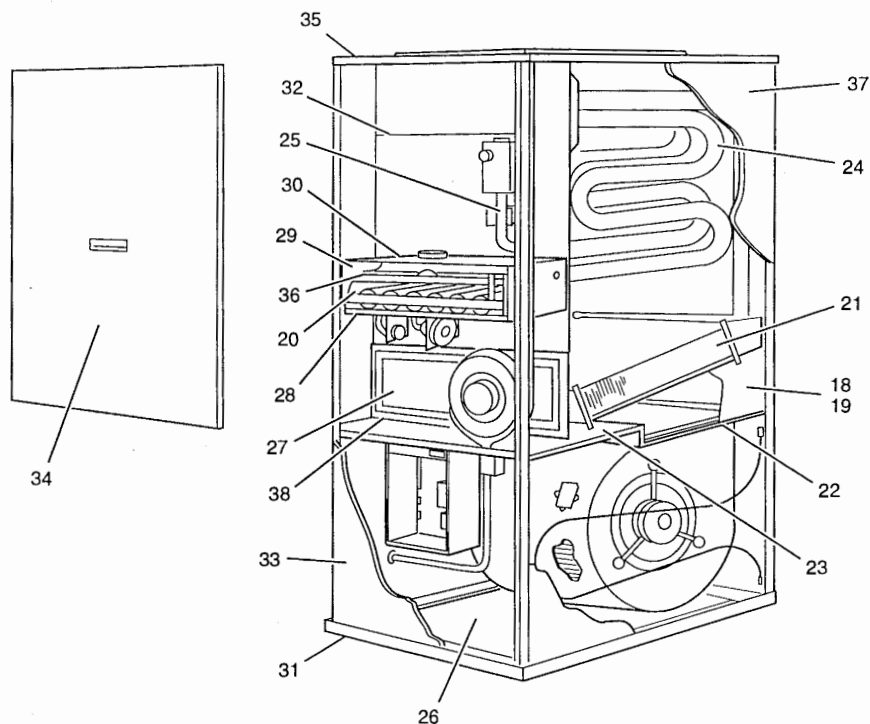


FIG. 5 - UPFLOW NATURAL GAS FURNACES (90+)

FABRICATED PARTS

FIG	ITEM	DESCRIPTION	PBLU-LD14N100 (5 BURNER)	PBLU-LD20N100 (5 BURNER)	PBLU-LD20N120 (6 BURNER)	PBLU-LD20N140 (7 BURNER)
5	18	BAFFLE, AIR (LH RECOUP. COIL)	073-12127-002	073-12127-002	073-12127-002	073-12127-002
5	19	BAFFLE, AIR (RH RECOUP. COIL)	073-12127-001	073-12127-001	073-12127-001	073-12127-001
5	20	BURNER, MAIN GAS	029-20482-000	029-20482-000	029-20482-000	029-20482-000
5	21	COIL, SECONDARY HEAT EXCHANGER	373-14523-004	373-14523-004	373-14523-005	373-14523-006
5	22	DECK, BLOWER (REAR)	073-12082-700	073-12082-700	073-12083-000	073-14466-000
5	23	DECK, FRONT	073-14563-000	073-14563-000	073-14564-000	073-14579-000
5	24	HEAT EXCHANGER ASS'Y (PRIMARY)	373-14524-004	373-14524-004	373-14524-005	373-14524-006
5	25	MANIFOLD, GAS	029-21177-004	029-21177-004	029-21177-005	029-21177-005
5	26	PAN, BASE	073-12061-703	073-12061-703	073-12061-704	073-12061-704
5	27	PAN, CONDENSATE	028-12454-000	028-12454-000	028-12455-000	028-12456-000
5	28	PANEL, BURNER BOX (BOTTOM)	073-14550-000	073-14550-000	073-14551-000	073-14551-000
5	29	PANEL, BURNER BOX (FRONT) (1)	373-14526-004	373-14526-004	373-14526-005	373-14526-005
5	30	WRAPPER, BURNER BOX	073-14545-000	073-14545-000	073-14546-000	073-14546-000
5	31	CHANNEL, TOE PLATE	073-12062-703	073-12062-703	073-12062-704	073-12062-704
5	32	COVER, HEAT EXCHANGER	073-12099-700	073-12099-700	073-12100-000	073-12100-000
5	33	PANEL, FRONT (BLOWER)	073-14467-013	073-14467-013	073-14467-014	073-14467-014
5	34	PANEL, FRONT (BURNER)	073-14465-003	073-14465-003	073-14465-004	073-14465-004
5	35	PANEL, TOP	073-14559-000	073-14559-000	073-14560-000	073-14560-000
5	36	SUPPORT BURNER	073-14555-000	073-14555-000	073-14556-000	073-14556-000
5	37	WRAPPER, CABINET	373-12056-703	373-12056-703	373-12056-704	373-12056-704
5	38	PANEL, VESTIBULE (LOWER)	073-14571-000	073-14571-000	073-14572-000	073-14416-000

* NOT SHOWN

(1) INCLUDES OBSERVATION PORT, GROMMET AND GASKETS.

FOR FACTORY OR FIELD INSTALLED ACCESSORIES SEE THE FOLLOWING PARTS LIST:

ACCESSORIES - NON-ELECTRICAL

DESCRIPTION	MODEL NO.
PROPANE KIT	INP0347 (40-120)
PROPANE KIT	INP0349 (140) ONLY
COCENTRIC INTAKE TERMINATION VENT	1CT0301
EXTERNAL SIDE FILTER RACK	1SR0302 (6 PACK)
14" EXTERNAL BOTTOM FILTER RACK	1BR0301
17-1/2" EXTERNAL BOTTOM FILTER RACK	1BR0302
21" EXTERNAL BOTTOM FILTER RACK	1BR0303
24-1/2" EXTERNAL BOTTOM FILTER RACK	1BR0304