

FIG. 1 - DOWNFLOW GAS FURNACES (90+)

SECTION	FIG	ITEM	DESCRIPTION	PBND-LD10N060 (3 BURNERS)	PBND-LD12N080 (4 BURNERS)	PBND-LD16N100 (5 BURNERS)	PBND-LD20N120 (6 BURNERS)
MISC.							
	*	57	PLUG, ELECTRIC (MALE, 2 CIRCUIT)	025-19672-900	025-19672-900	025-19672-900	025-19672-900
	*	58	PLUG, ELECTRIC (MALE, 8 CIRCUIT)	025-25426-000	025-25426-000	025-25426-000	025-25426-000
	*	59	PLUG, ELECTRIC (MALE, 8 CIRCUIT)	025-25428-000	025-25428-000	025-25428-000	025-25428-000
	*	60	PORT, OBSERVATION (GLASS)	028-11285-000	028-11285-000	028-11285-000	028-11285-000
	*	61	RECEPTICAL, ELECTRIC (FEMALE 8 CIRCUIT)	025-25427-000	025-25427-000	025-25427-000	025-25427-000
	*	62	RECEPTICAL, ELECTRIC (FEMALE 8 CIRCUIT)	025-25430-000	025-25430-000	025-25430-000	025-25430-000
	*	63	RECEPTICAL, ELECTRIC (FEMALE 9 CIRCUIT)	025-21191-900	025-21191-900	025-21191-900	025-21191-900
	*	64	RESTRICTOR PLATE (COMB. BLOWER)	028-11623-002	- - -	- - -	- - -
	*	65	TERMINAL, ELECTRICAL (PIN)	025-20533-900	025-20533-900	025-20533-900	025-20533-900
	*	66	TERMINAL, ELECTRICAL (PIN) (2)	025-20919-900	025-20919-900	025-20919-900	025-20919-900
	*	67	TERMINAL, ELECTRICAL (SOCKET)	025-19673-900	025-19673-900	025-19673-900	025-19673-900
	1	68	TRAP, CONDENSATE	028-12482-000	028-12482-000	028-12482-000	028-12482-000
	*	69	TUBING, PRESSURE & CONDENSATE	(SEE NOTE1)	(SEE NOTE1)	(SEE NOTE1)	(SEE NOTE1)
	1	70	MOUNT, MOTOR	026-31480-000	026-31480-000	026-31480-000	026-31459-000
	*	71	WIRING DIAGRAM	035-13192-000	035-13192-000	035-13192-000	035-13192-000

NOTES: * Not Shown
 1. Tubing is reinforced PVC, obtain locally.
 2. Split pins must be used in recepticals with 6 or more circuits.
 New replacement parts shown in **bold face** type at the first printing of Parts List code dated 9/95.
 Major components and suggested stocking items are shown with shaded item number.
 "<" At side of page indicates change was made in that row. OR "<" Across from model number indicates entire publication is new.

REPLACEMENT PARTS

PBND DOWNFLOW NATURAL GAS FURNACES (90+)

Supersedes: Nothing

650.65-RP6W (995)

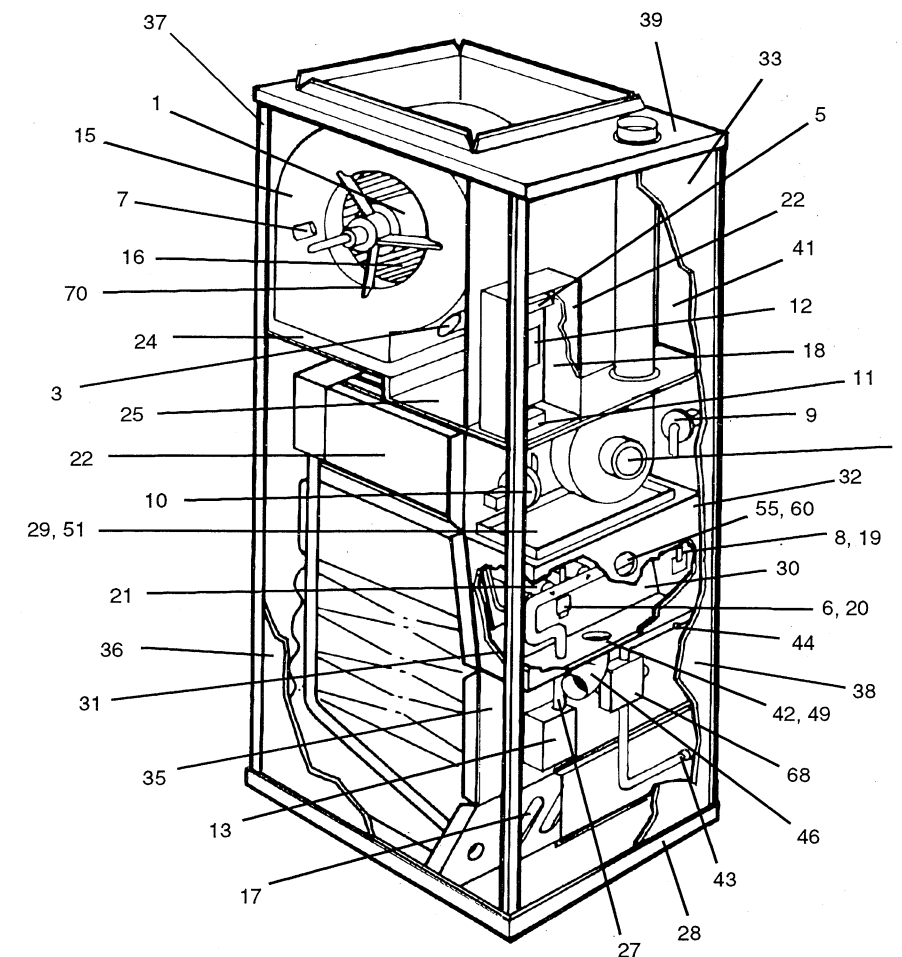


FIG. 1 - DOWNFLOW GAS FURNACES (90+)

SECTION	FIG	ITEM	DESCRIPTION	PBND-LD10N060 (3 BURNERS)	PBND-LD12N080 (4 BURNERS)	PBND-LD16N100 (5 BURNERS)	PBND-LD20N120 (6 BURNERS)
MOTORS							
	1	1	MOTOR, DIRECT DRIVE BLOWER	024-25110-700	024-25113-700	024-23238-700	024-23238-700
	1	2	MOTOR, VENTOR BLOWER (ASSY.)	373-14249-003	373-14249-002	373-14249-002	373-14249-002
ELECTRICAL							
	1	3	CAPACITOR, RUN (10MFD/370V) (RC)	- - -	024-2046-700	- - -	- - -
	1	3	CAPACITOR, RUN (7.5MFD/370V) (RC)	024-20045-000	- - -	- - -	- - -
	1	3	CAPACITOR, RUN (15MFD/370V) (RC)	- - -	- - -	024-20446-700	024-20446-700
	*	4	CONTROL, FAN LIMIT (LS)	025-29041-001	025-29093-002	025-29041-003	025-29041-004
	1	5	CONTROL, FURNACE (FC)	031-00662-700	031-00662-700	031-00662-700	031-00662-700
	1	6	IGNITOR (HOT SURFACE)	025-31801-000	025-31801-000	025-31801-000	025-31801-000
	1	7	SWITCH, AUX. LIMIT (ALS)	025-28670-003	025-28670-002	025-28670-003	025-28670-003
	1	8	SENSOR, FLAME	025-27773-700	025-27773-700	025-27773-700	025-27773-700
	1	9	SWITCH, AIR PRESSURE (2LP)	024-25329-705	024-25329-703	024-25329-703	024-25329-702
	1	10	SWITCH, AIR PRESSURE (1LP)	024-25329-706	024-25329-701	024-25329-704	024-25329-706
	1	11	SWITCH, CONTROL (DOOR)	024-25811-000	024-25811-000	024-25811-000	024-25811-000
	1	12	TRANSFORMER (1T)	025-19405-700	025-19405-700	025-19405-700	025-19405-700
	1	13	VALVE, GAS	025-30251-700	025-30251-700	025-30251-700	025-30251-700
	*	14	BOOT, RUBBER	028-04133-000	028-04133-000	028-04133-000	028-04133-000

NOTES: * Not Shown
 New replacement parts shown in **bold face** type at the first printing of Parts List code dated 9/95.
 Major components and suggested stocking items are shown with shaded item number.
 "<" At side of page indicates change was made in that row. OR "<" Across from model number indicates entire publication is new.

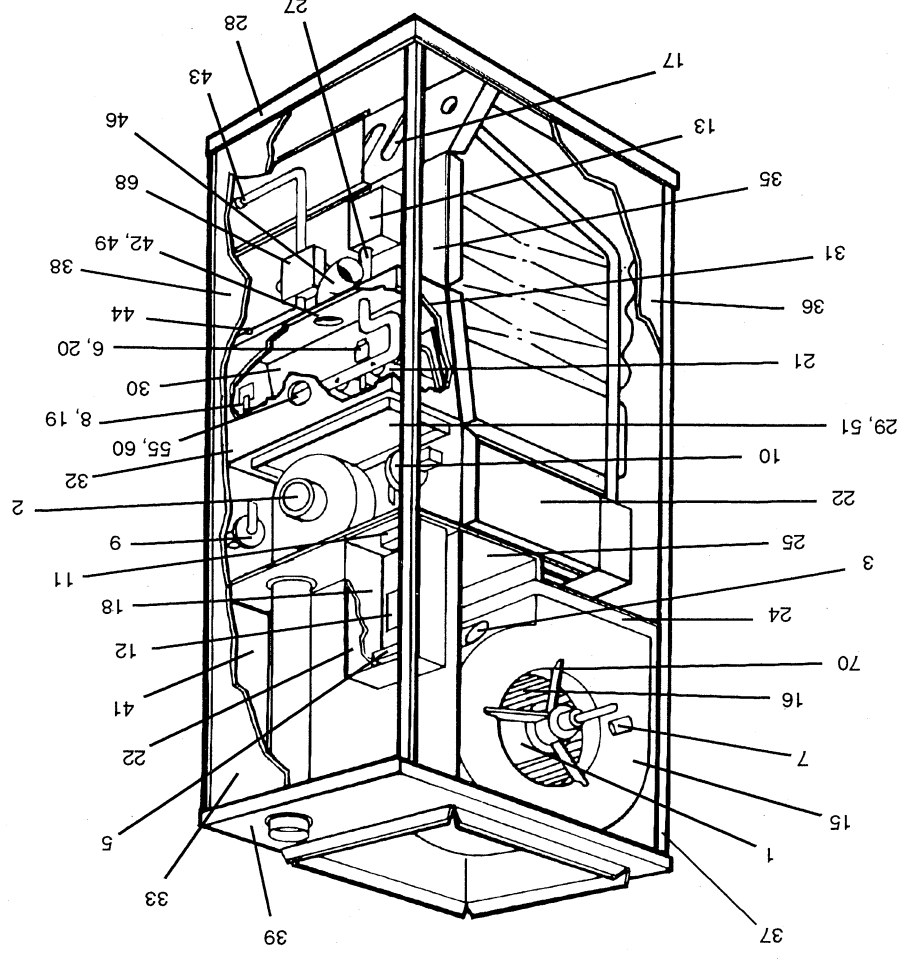


FIG. 1 - DOWNFLOW GAS FURNACES (90+)

SECTION	FIG	ITEM	DESCRIPTION	PBND-LD10N060	PBND-LD12N080	PBND-LD15N100	PBND-LD20N120
AIR MOVING	1	15	HOUSING, BLOWER	363-78000-003	363-78000-004	373-07612-000	373-06239-000
		16	WHEEL, BLOWER	026-19654-707	026-19654-703	026-19654-705	026-19654-706
FABRICATED							
PARTS	1	17	BAFFLE, FUE	063-93162-000	063-93162-000	063-93162-000	063-93162-000
	1	18	BOX, CONTROL	073-06399-000	073-06399-000	073-06399-000	073-06399-000
	1	19	BRACKET, FLAME SENSOR	073-10204-000	073-10204-000	073-10204-000	073-10204-000
	1	20	BRACKET, HOT SURFACE IGNITOR	073-11278-000	073-11278-000	073-11278-000	073-11278-000
	1	21	BURNER, MAIN GAS	029-20442-000	029-20442-000	029-20442-000	029-20442-000
	*	22	COIL, HEAT RECOVERY	373-10479-001	373-10479-001	373-10479-001	373-10479-002
	1	23	COVER, CONTROL BOX	073-06391-000	073-06391-000	073-06391-000	073-06391-000
	1	24	DECK, BLOWER (REAR)	073-02945-000	073-02945-000	073-02945-000	073-02945-000
	1	25	DECK, FRONT	073-06389-002	073-06389-002	073-06389-002	073-06389-004
	1	26	HEAT EXCHANGER ASS'Y, (CELL)	063-90658-000	063-90658-000	063-90658-000	063-90658-000
	1	27	MANIFOLD	029-20441-003	029-20441-004	029-20441-004	029-20441-005
	1	28	PAN, BASE	073-06384-002	073-06384-002	073-06384-003	073-06384-004
	1	29	PAN, CONDENSATE/W/GASKET	373-15597-001	373-15597-001	373-15597-001	373-15597-002
	1	30	PANEL, BURNER BOX (REAR)	073-06394-002	073-06394-003	073-06394-004	073-06394-005
	1	31	WRAPPER, BURNER BOX	073-06393-002	073-06393-003	073-06393-003	073-06393-003
	1	32	PANEL, BURNER BOX (FRONT)	073-06395-002	073-06395-002	073-06395-003	073-06395-003
	1	33	PANEL, FRONT (BLOWER)	073-02947-001	073-02947-001	073-02947-002	073-02947-003
	*	34	PANEL, HEAT SHIELD	073-07524-001	073-07524-001	073-07524-002	073-07524-003
	1	35	PANEL, VESTIBULE	373-06383-103	373-06383-104	373-06383-105	373-06383-106
	1	36	WRAPPER (LH)	373-05236-013	373-05236-013	373-05236-013	373-05236-013

NOTES: * Not Shown
New replacement parts shown in bold face type at the first printing of Parts List code dated 9/95. Major components and suggested stocking items are shown with shaded item number. < " At side of page indicates change was made in that row. OR ">" Across from model number indicates entire publication is new.

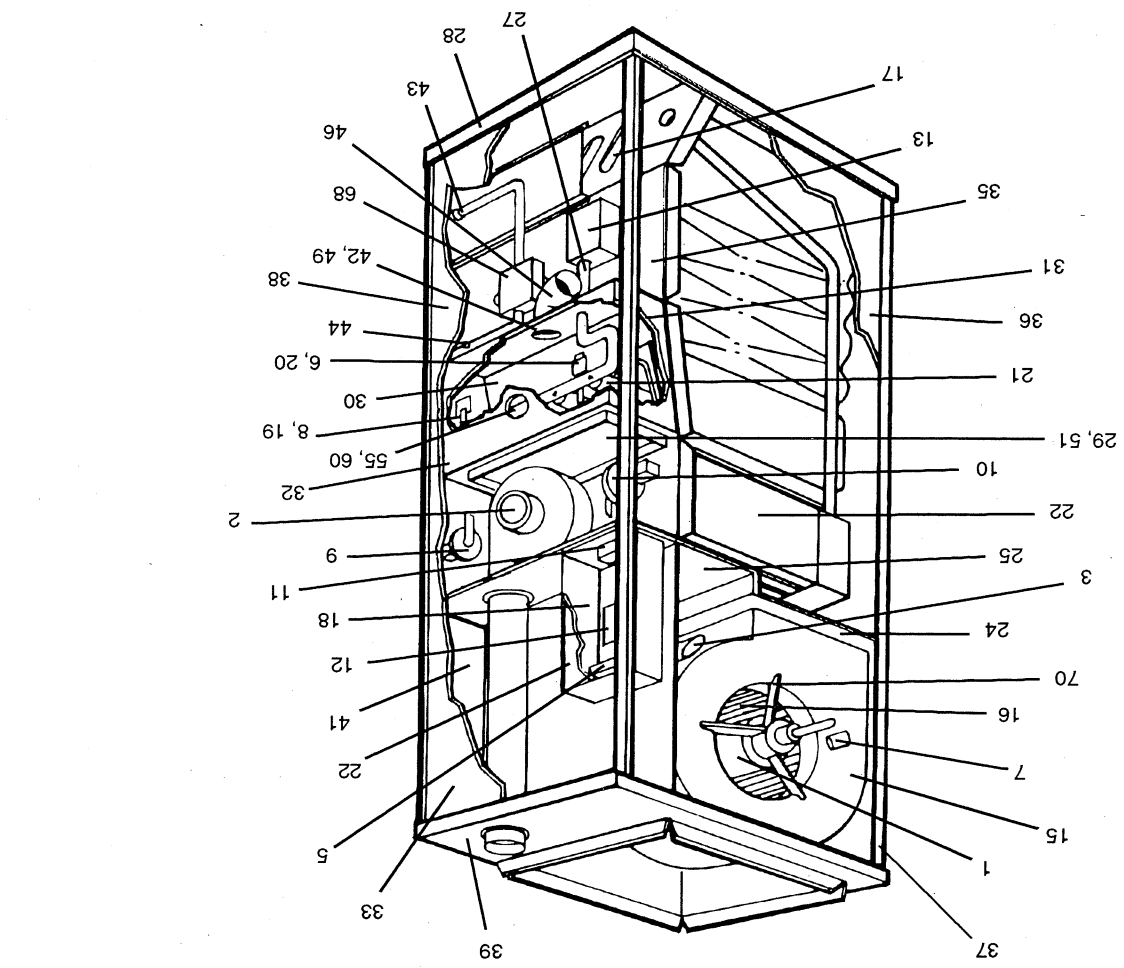


FIG. 1 - DOWNFLOW GAS FURNACES (90+)

SECTION	FIG	ITEM	DESCRIPTION	PBND-LD10N060	PBND-LD12N080	PBND-LD15N100	PBND-LD20N120
FABRICATED							
PARTS	1	37	WRAPPER (REAR)	373-05236-023	373-05236-023	373-05236-025	373-05236-026
	1	38	PANEL, FRONT (BURNER)	063-93241-002	063-93241-002	063-93241-003	063-93241-004
	1	39	PANEL, TOP	073-06400-002	073-06400-002	073-06400-003	073-06400-004
	*	40	SUPPORT, BURNER	073-06396-002	073-06396-003	073-06396-004	073-06396-005
	1	41	WRAPPER (RH)	373-05236-003	373-05236-003	373-05236-003	373-05236-003
MISC.							
	1	42	CONNECTOR, AIR INTAKE (BURNER BOX)	028-11289-000	028-11289-000	028-11289-000	028-11289-000
	1	43	CONNECTOR, CONDENSATE	363-93255-000	363-93255-000	363-93255-000	363-93255-000
	1	44	DRAIN, CONDENSATE TUBE	028-13206-000	028-13206-000	028-13206-000	028-13208-000
	*	45	CONNECTOR, BARBED ELBOW	028-11617-000	028-11617-000	028-11617-000	028-11617-000
	1	46	ELBOW, VENTER DISCHARGE	028-12110-000	028-12110-000	028-12110-000	028-12110-000
	*	47	FILTER, AIR	026-23050-004	026-23050-004	026-23050-004	026-23050-004
	1	48	FILTER, RACK	362-93782-000	362-93782-000	362-93782-000	362-93782-000
	1	49	GASKET, AIR INTAKE	028-11287-000	028-11287-000	028-11287-000	028-11287-000
	*	50	GASKET, COMBUSTION BLOWER	028-12450-000	028-12450-000	028-12450-000	028-12450-000
	1	51	GASKET, CONDENSATE PAN	028-12371-702	028-12371-702	028-12371-703	028-12371-703
	*	52	GASKET, NEOPRENE (BURNER BOX) (FRONT)	028-12118-000	028-12118-000	028-12118-000	028-12118-000
	*	53	GASKET, NEOPRENE (BURNER BOX) (REAR)	028-11647-000	028-11647-000	028-11647-000	028-11647-000
	*	54	GROMMET, MANIFOLD SEAL	028-04859-900	028-04859-900	028-04859-900	028-04859-900
	1	55	GROMMET, OBSERVATION PORT	028-11284-000	028-11284-000	028-11284-000	028-11284-000
	*	56	ORIFICE, BURNER (NATURAL #45)	029-20338-003	029-20338-003	029-20338-003	029-20338-003
	*	56	ORIFICE, BURNER (NATURAL #46)	029-20338-005	029-20338-005	029-20338-005	029-20338-007

NOTES: * Not Shown
3. Order "Publicity Label" when replacing panel, front (burner)
New replacement parts shown in bold face type at the first printing of Parts List code dated 9/95. Major components and suggested stocking items are shown with shaded item number. < " At side of page indicates change was made in that row. OR ">" Across from model number indicates entire publication is new.