



www.Source1Parts.com

UPFLOW NATURAL GAS FURNACES - 90%

HVAC SERVICE PARTS

Supersedes: 035-17489-002 Rev. A (1102)

035-17489-002 Rev. B (0204)

1 of 8

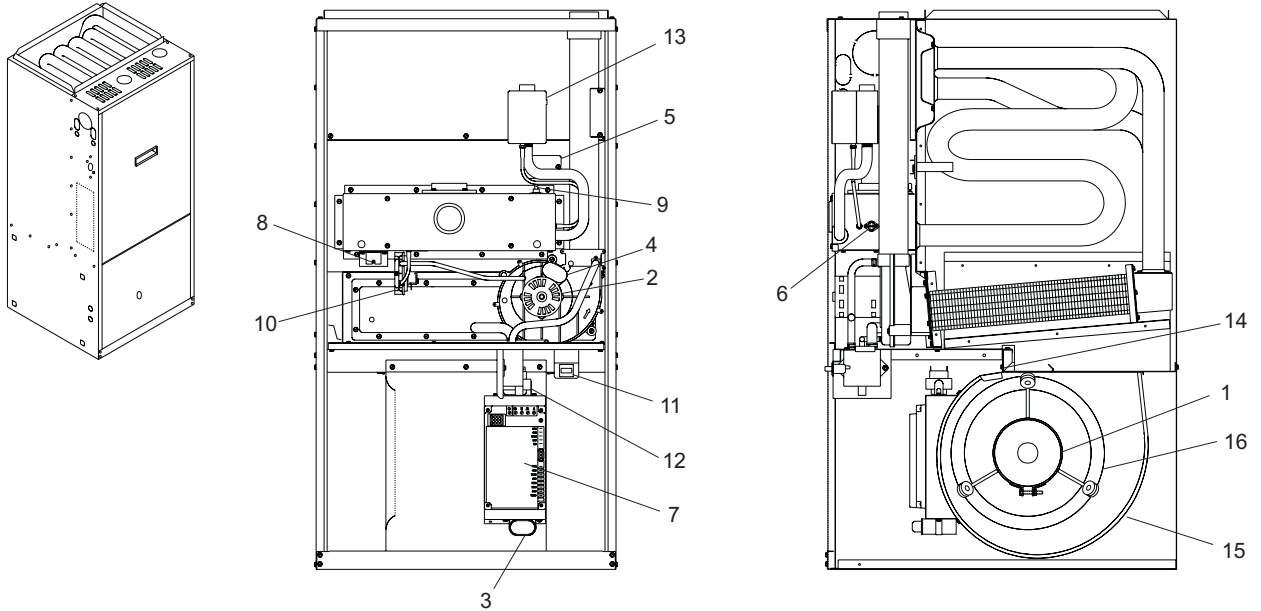


Figure 1: UPFLOW NATURAL GAS FURNACES (90%)

FIG	ITEM	DESCRIPTION	P3URA10N03701E	P3URB10N05501E	P3URB12N07501E	P3URC16N07501E
			G9T04010UPA13C	G9T06010UPB13C	G9T08012UPB13C	G9T08016UPC13C
			FG9A04010UP11C	FG9B06010UP11C	FG9B08012UP11C	FG9C08016UP11C
			(2 BURNER)	(3 BURNER)	(4 BURNER)	(4 BURNER)
MOTOR						
1	1	MOTOR,DIRECT DRIVE BLOWER	024-31969-000	024-31969-000	024-23271-000	024-26002-000
1	2	MOTOR,VENTOR ASS'Y	373-20717-001	373-20717-001	373-20717-001	373-20717-001
ELECTRICAL						
1	3	CAPACITOR (7.5MFD/370V)	024-20045-000	024-20045-000	024-20045-000	---
		CAPACITOR (10 MFD/370V)	---	---	---	024-20046-000
1	4	CAPACITOR, VENTOR (4MFD/370V)	024-20084-000	024-20084-000	024-20084-000	024-20084-000
1	5	CONTROL, HIGH LIMIT	025-29041-004	025-29041-012	025-29041-002	025-29041-004
1,3	6	CONTROL,FLAME ROLL OUT	025-27792-001	025-27792-001	025-27792-001	025-27792-001
1	7	CONTROL,FURNACE	031-01267-001	031-01267-001	031-01267-001	031-01267-001
*	7A	FUSE	025-32746-026	025-32746-026	025-32746-026	025-32746-026
1,3	8	IGNITER	025-32625-000	025-32625-000	025-32625-000	025-32625-000
1,3	9	SENSOR, FLAME	025-30788-000	025-30788-000	025-30788-000	025-30788-000
1	10	SWITCH, AIR PRESSURE [LP]	024-27639-001	024-27637-001	024-27637-001	024-27638-001
1	11	SWITCH, DOOR	024-31943-000	024-31943-000	024-31943-000	024-31943-000
1	12	TRANSFORMER	025-30889-000	025-30889-000	025-30889-000	025-30889-000
1,3	13	VALVE, GAS	025-37426-000	025-37426-000	025-37426-000	025-37426-000
AIR MOVING						
1	14	CUTOFF,BLOWER	---	---	063-93198-000	063-93198-000
1	15	HOUSING, BLOWER	373-17771-003	373-17771-003	373-17829-002	373-17829-002
1	16	WHEEL, BLOWER	026-34004-000	026-34004-000	026-19654-009	026-19654-009

NOTE: *Not Shown

New replacement parts shown in **bold** face type at the first printing of parts list dated 2/04.

Major components and suggested stocking items are shown with shaded item number.

"<" Across from row indicates a change in that row.

--- Not applicable to specified model.



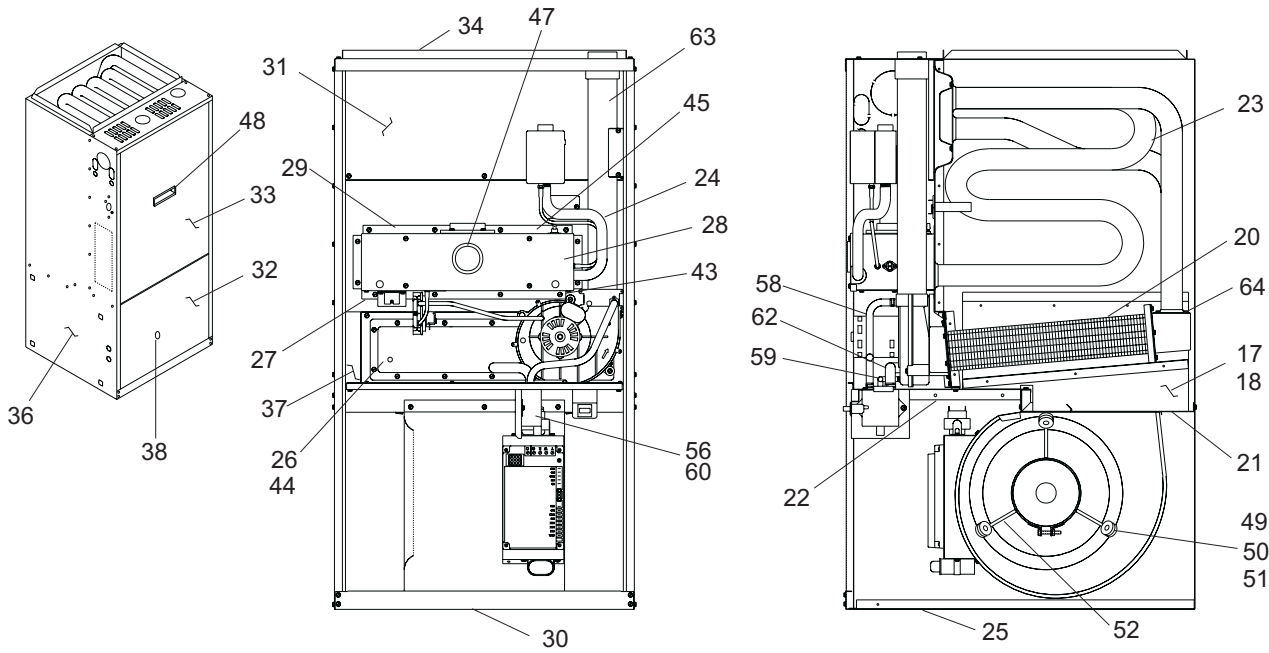


Figure 2: UPFLOW NATURAL GAS FURNACES (90%)

FIG	ITEM	DESCRIPTION	P3URA10N03701E	P3URB10N05501E	P3URB12N07501E	P3URC16N07501E
			G9T04010UPA13C	G9T06010UPB13C	G9T08012UPB13C	G9T08016UPC13C
			FG9A04010UP11C	FG9B06010UP11C	FG9B08012UP11C	FG9C08016UP11C
			(2 BURNER)	(3 BURNER)	(4 BURNER)	(4 BURNER)
FABRICATED PARTS						
2	17	BAFFLE, AIR (LH Recoup.Coil)	073-12127-002	073-12127-002	073-12127-002	073-12127-002
2	18	BAFFLE, AIR (RH Recoup.Coil)	073-12127-001	073-12127-001	073-12127-001	073-12127-001
3	19	BURNER, MAIN GAS	029-20482-000	029-20482-000	029-20482-000	029-20482-000
2	20	COIL, SECONDARY HEAT EXCHANGER	373-18279-001	373-18279-002	373-18279-003	373-18279-007
2	21	DECK, BLOWER (Rear)	073-17501-001	073-12080-000	073-12081-000	073-15317-000
2	22	DECK, FRONT	073-20828-000	073-20825-000	073-20825-000	073-20826-000
2	23	HEAT EXCHANGER ASS'Y (Primary)	373-17467-008	373-17467-002	373-17467-003	373-17467-007
2,3	24	MANIFOLD, GAS	029-21177-001	029-21177-002	029-21177-003	029-21177-003
2	25	PAN, BASE	073-17504-001	073-17504-002	073-17504-002	073-17504-003
2	26	PAN, CONDENSATE	028-13322-000	028-13323-000	028-13324-000	028-13328-000
2,3	27	PANEL, BURNER BOX (Bottom)	073-20829-000	073-20821-000	073-20822-000	073-20822-000
2	28	PANEL, BURNER BOX (Front)	373-22155-001	373-22155-002	373-22155-003	373-22155-003
2,3	29	WRAPPER, BURNER BOX	073-14542-000	073-14543-000	073-14544-000	073-14544-000
2	30	CHANNEL, TOE PLATE	073-12062-005	073-12062-002	073-12062-002	073-12062-003
2	31	COVER, HEAT EXCHANGER	073-17614-000	073-17615-000	073-17616-000	073-17616-000
2	32	PANEL, FRONT (Blower)	073-17522-001	073-17522-002	073-17522-002	073-17522-003
2	33	PANEL, FRONT (Burner)	073-17975-001	073-17975-002	073-17975-002	073-17975-003
2	34	PANEL, TOP	073-17545-001	073-17446-000	073-17446-000	073-17447-000
3	35	SUPPORT, BURNER	073-17454-000	073-17455-000	073-17456-000	073-17456-000
2	36	WRAPPER, CABINET P3U	373-22426-004	373-22426-001	373-22426-001	373-22426-002
		WRAPPER, CABINET G9T,FG9	373-22424-001	373-22424-002	373-22424-002	373-22424-003
2	37	PANEL, VESTIBULE (Lower)	073-17544-000	073-14570-000	073-14570-000	073-14571-000
2	38	PLUG, WINDOW, CLEAR - .875"	025-30899-000	025-30899-000	025-30899-000	025-30899-000

NOTE: *Not Shown

New replacement parts shown in **bold** face type at the first printing of parts list dated 2/04.

Major components and suggested stocking items are shown with shaded item number.

"<" Across from row indicates a change in that row.

--- Not applicable to specified model.



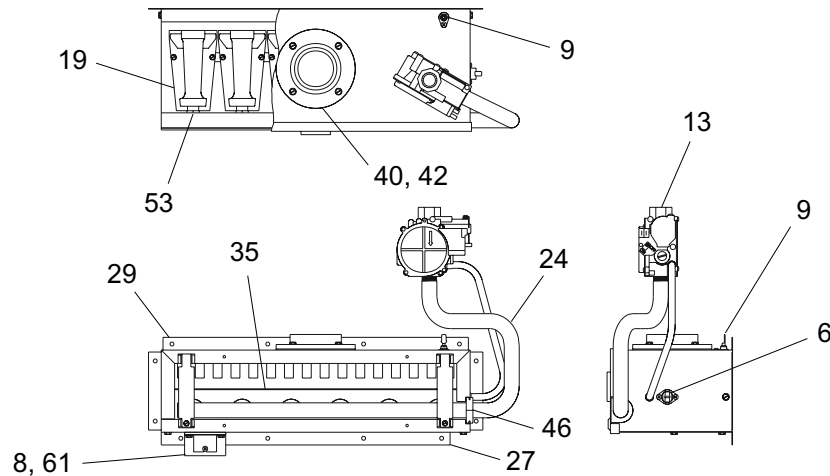


Figure 3: GAS CONTROLS -UPFLOW (90%)

FIG	ITEM	DESCRIPTION	P3URA10N03701E	P3URB10N05501E	P3URB12N07501E	P3URC16N07501E
			G9T04010UPA13C	G9T06010UPB13C	G9T08012UPB13C	G9T08016UPC13C
			FG9A04010UP11C	FG9B06010UP11C	FG9B08012UP11C	FG9C08016UP11C
			(2 BURNER)	(3 BURNER)	(4 BURNER)	(4 BURNER)
MISCELLANEOUS						
*	39	CLIP, FILTER RETAINER(2Req'd) P3U, G9T	021-16017-000	021-16017-000	021-16017-000	021-16017-000
3	40	COLLAR, AIR INTAKE (Burner Box)	028-11289-000	028-11289-000	028-11289-000	028-11289-000
*	41	FILTER, AIR P3U, G9T	026-28048-001	026-28048-001	026-28048-001	026-28048-003
		FILTER SIZE	(1 X 16 X 26)	(1 X 16 X 26)	(1 X 16 X 26)	(1 X 20 X 26)
3	42	GASKET, AIR INTAKE	028-12460-001	028-12460-001	028-12460-001	028-12460-001
2	43	GASKET, COMBUSTION BLOWER	028-12498-000	028-12498-000	028-12498-000	028-12498-000
2	44	GASKET, CONDENSATE PAN	028-12458-001	028-12458-002	028-12458-002	028-12458-003
2	45	GASKET, BURN BOX TO VEST PANEL	028-12459-001	028-12459-002	028-12459-003	028-12459-003
3	46	GROMMET, MANIFOLD SEAL	028-12465-000	028-12465-000	028-12465-000	028-12465-000
2	47	PLUG, WINDOW,CLEAR - 1.5"	025-37005-000	025-37005-000	025-37005-000	025-37005-000
2	48	HANDLE, DOOR	029-22113-000	029-22113-000	029-22113-000	029-22113-000
2	49	ISOLATOR, TUBE (3 Req'd.)	---	---	028-09412-001	028-09412-001
2	50	ISOLATOR, WASHER (3 Req'd.)	---	---	028-09412-002	028-09412-002
2	51	ISOLATOR,SLEEVE (3 Req'd.)	---	---	028-09412-003	028-09412-003
2	52	MOUNT, MOTOR	---	---	026-31459-000	026-31459-000
3	53	ORIFICE, BURNER (Natural #45)	029-21182-045	029-21182-045	029-21182-045	029-21182-045
	54					
*	55	RETAINER, FILTER P3U, G9T	026-28040-000	026-28040-000	026-28040-000	026-28040-000
2	56	TRAP, CONDENSATE	028-14723-000	028-14723-000	028-14723-000	028-14723-000
*	57	WIRING DIAGRAM	035-17474-000	035-17474-000	035-17474-000	035-17474-000
2	58	TUBE, DRAIN RAIN GUTTER	028-12463-002	028-11463-002	028-12463-002	028-11463-002
2	59	TUBE, CONDENSATE DRAIN	028-13243-000	028-13243-000	028-13243-000	028-13243-000
2	60	TUBE, DRAIN CONDENSATE TRAP	028-12464-001	028-12464-001	028-12464-001	028-12464-002
3	61	BRACKET, IGNITOR	073-17403-000	073-17403-000	073-17403-000	073-17403-000
2	62	TUBE, DRAIN CONDENSATE PAN	028-12462-001	028-12462-001	028-12462-001	028-12462-001
2	63	PIPE EXHAUST VENT	028-13240-000	028-13240-000	028-13240-000	028-13240-000
2	64	GASKET, RETURN TUBE (1 Req'd)	028-12461-000	028-12461-000	028-12461-000	028-12461-000

NOTE: *Not Shown

New replacement parts shown in **bold** face type at the first printing of parts list dated 2/04.

Major components and suggested stocking items are shown with shaded item number.

"<" Across from row indicates a change in that row.

--- Not applicable to specified model.



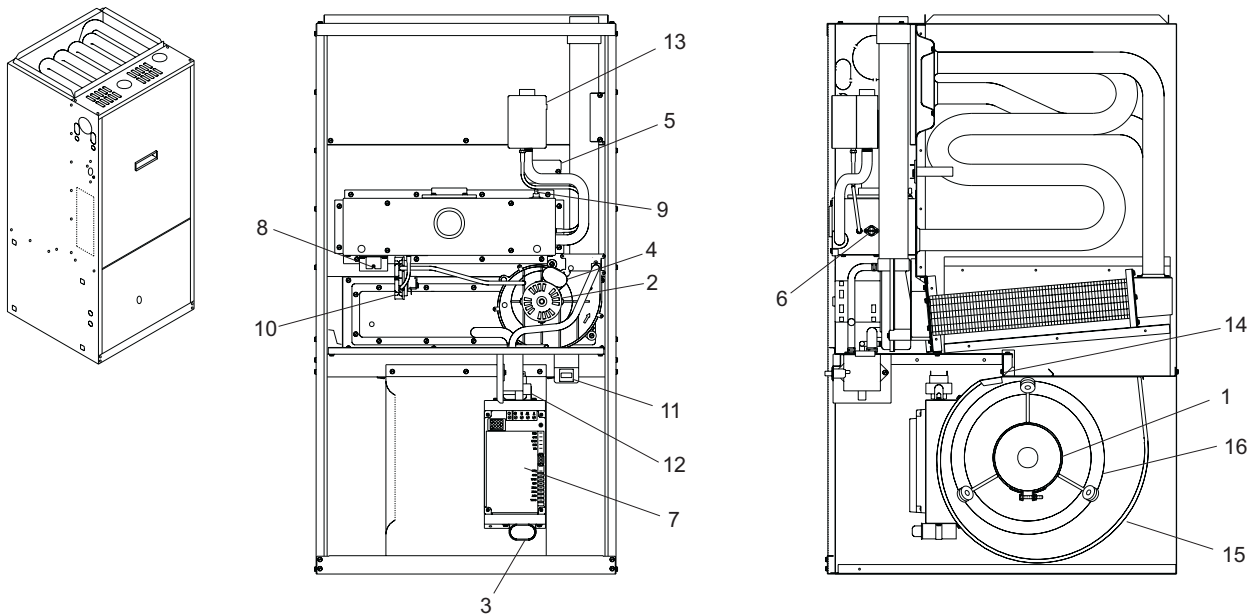


Figure 1: UPFLOW NATURAL GAS FURNACES (90%)

FIG	ITEM	DESCRIPTION	P3URC14N09501E	P3URC20N09501E	P3URD20N11201E
			G9T10014UPC13C	G9T10020UPC13C	G9T12020UPD13C
			FG9C10014UP11C	FG9C10020UP11C	FG9D12020UP11C
			(5 BURNER)	(5 BURNER)	(6 BURNER)
MOTOR					
1	1	MOTOR, DIRECT DRIVE BLOWER	024-26003-000	024-23238-001	024-23238-001
1	2	MOTOR, VENTOR ASS'Y	373-20717-001	373-20717-001	373-20717-001
ELECTRICAL					
1	3	CAPACITOR (10MFD/370V)	024-20046-000	---	---
		CAPACITOR (15MFD/370V)	---	024-20446-000	024-20446-000
1	4	CAPACITOR, VENTOR (4MFD/370V)	024-20084-000	024-20084-000	024-20084-000
1	5	CONTROL, HIGH LIMIT	025-29041-002	025-29041-002	025-29041-002
1,3	6	CONTROL, FLAME ROLL OUT (2 ea.)	025-27792-001	025-27792-001	025-27792-001
1	7	CONTROL, FURNACE	031-01267-001	031-01267-001	031-01267-001
*	7A	FUSE	025-32746-026	025-32746-026	025-32746-026
1,3	8	IGNITER	025-32625-000	025-32625-000	025-32625-000
1,3	9	SENSOR, FLAME	025-30788-000	025-30788-000	025-30788-000
1	10	SWITCH, AIR PRESSURE [1LP]	024-27634-001	024-27634-001	024-27637-001
1	11	SWITCH, DOOR	024-31943-000	024-31943-000	024-31943-000
1	12	TRANSFORMER	025-30889-000	025-30889-000	025-30889-000
1,3	13	VALVE, GAS	025-37426-000	025-37426-000	025-37426-000
AIR MOVING					
1	14	CUTOFF, BLOWER	---	063-78006-000	063-78006-000
1	15	HOUSING, BLOWER	373-17828-001	373-17829-001	373-17829-001
1	16	WHEEL, BLOWER	026-19654-005	026-19654-014	026-19654-014

NOTE: *Not Shown

New replacement parts shown in **bold** face type at the first printing of parts list code dated 2/04.

Major components and suggested stocking items are shown with shaded item number.

"<" Across from row indicates a change in that row.

--- Not applicable to specified model.



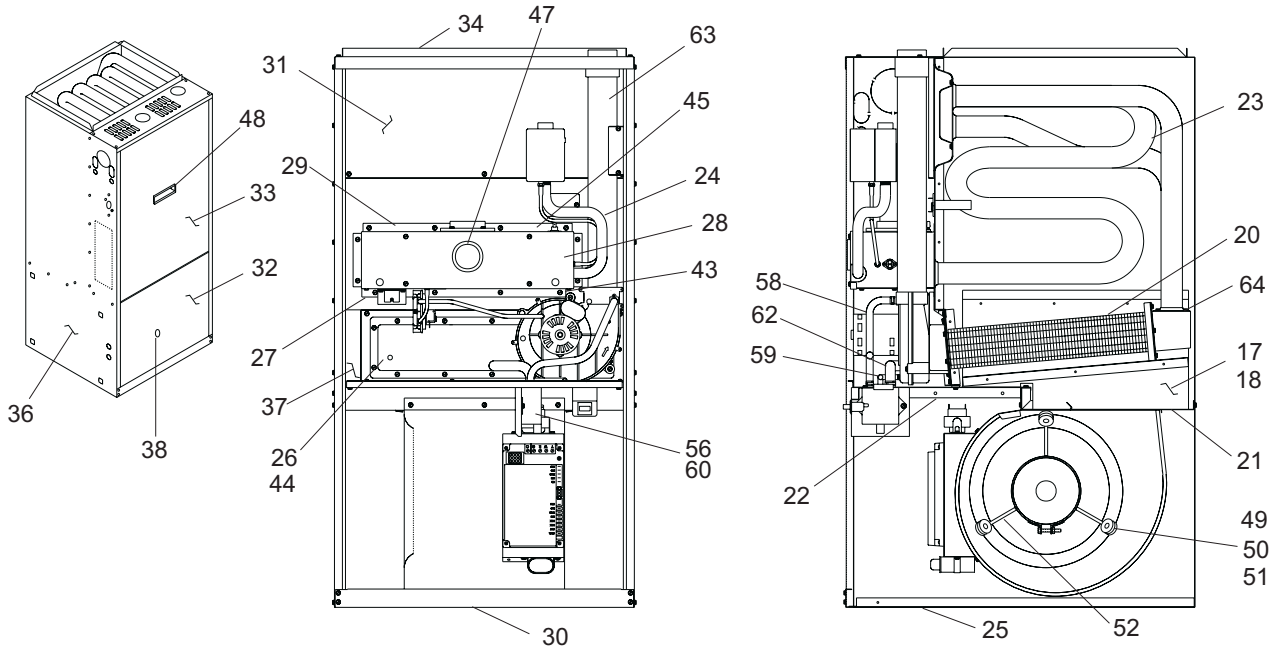


Figure 2: UPFLOW NATURAL GAS FURNACES (90%)

FIG	ITEM	DESCRIPTION	P3URC14N09501E	P3URC20N09501E	P3URD20N11201E
			G9T10014UPC13C	G9T10020UPC13C	G9T12020UPD13C
			FG9C10014UP11C	FG9C10020UP11C	FG9D12020UP11C
			(5 BURNER)	(5 BURNER)	(6 BURNER)
FABRICATED PARTS					
2	17	BAFFLE, AIR (LH Recoup. Coil)	073-12127-002	073-12127-002	073-12127-002
2	18	BAFFLE, AIR (RH Recoup. Coil)	073-12127-001	073-12127-001	073-12127-001
3	19	BURNER, MAIN GAS	029-20482-000	029-20482-000	029-20482-000
2	20	COIL, SECONDARY HEAT EXCHANGER	373-18279-004	373-18279-004	373-18279-005
2	21	DECK, BLOWER (Rear)	073-12082-000	073-12082-000	073-12083-000
2	22	DECK, FRONT	073-20826-000	073-20826-000	073-20827-000
2	23	HEAT EXCHANGER ASS'Y(Primary)	373-17467-004	373-17467-004	373-17467-005
2,3	24	MANIFOLD, GAS	029-21177-004	029-21177-004	029-21177-005
2	25	PAN, BASE	073-17504-003	073-17504-003	073-17504-004
2	26	PAN, CONDENSATE	028-13325-000	028-13325-000	028-13326-000
2,3	27	PANEL, BURNER BOX (Bottom)	073-20823-000	073-20823-000	073-20824-000
2	28	PANEL, BURNER BOX (Front)	373-22155-004	373-22155-004	373-22155-005
2,3	29	WRAPPER, BURNER BOX	073-14545-000	073-14545-000	073-14546-000
2	30	CHANNEL, TOE PLATE	073-12062-003	073-12062-003	073-12062-004
2	31	COVER, HEAT EXCHANGER	073-17617-000	073-17617-000	073-17618-000
2	32	PANEL, FRONT (Blower)	073-17522-003	073-17522-003	073-17522-004
2	33	PANEL, FRONT (Burner)	073-17975-003	073-17975-003	073-17975-004
2	34	PANEL, TOP	073-17447-000	073-17447-000	073-17448-000
3	35	SUPPORT, BURNER	073-17457-000	073-17457-000	073-17458-000
2	36	WRAPPER, CABINET P3U	373-22426-002	373-22426-002	373-22426-003
		WRAPPER, CABINET G9T,FG9	373-22424-003	373-22424-003	373-22424-004
2	37	PANEL, VESTIBULE (Lower)	073-14571-000	073-14571-000	073-14572-000
2	38	PLUG, WINDOW,CLEAR - .875"	025-30899-000	025-30899-000	025-30899-000

NOTE: *Not Shown

New replacement parts shown in **bold** face type at the first printing of parts list dated 2/04.

Major components and suggested stocking items are shown with shaded item number.

"<" Across from row indicates a change in that row.

--- Not applicable to specified model.



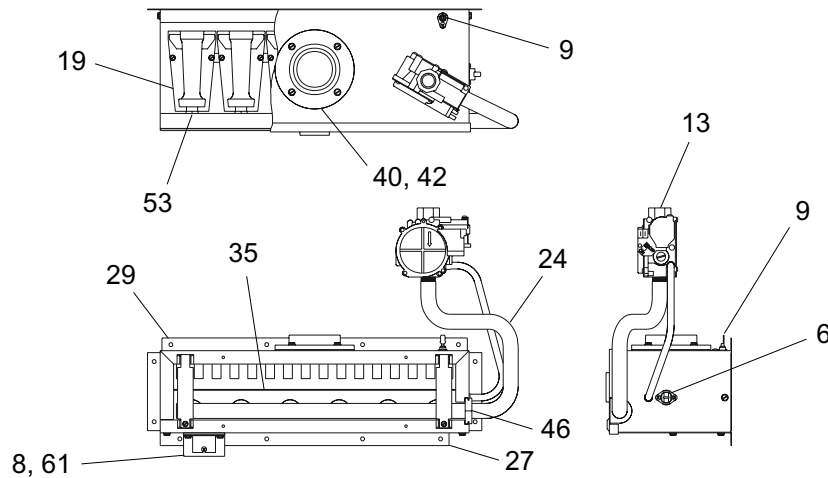


Figure 3: GAS CONTROLS - UPFLOW (90%)

FIG	ITEM	DESCRIPTION	P3URC14N09501E	P3URC20N09501E	P3URD20N11201E
			G9T10014UPC13C	G9T10020UPC13C	G9T12020UPD13C
			FG9C10014UP11C	FG9C10020UP11C	FG9D12020UP1C
			(5 BURNER)	(5 BURNER)	(6 BURNER)
MISCELLANEOUS					
*	39	CLIP, FLITER RETAINER (2Req'd) P3U, G9T	021-16017-000	021-16017-000	021-16017-000
3	40	COLLAR, AIR INTAKE (Burner Box)	028-11289-000	028-11289-000	028-11290-000
*	41	FILTER, AIR P3U, G9T	026-28048-003	026-28048-003	026-28048-004
		FILTER SIZE	(1 X 20 X 26)	(1 X 20 X 26)	(1 X 24 X 26)
3	42	GASKET, AIR INTAKE	028-12460-001	028-12460-001	028-12460-002
2	43	GASKET, COMBUSTION BLOWER	028-12498-000	028-12498-000	028-12498-000
2	44	GASKET, CONDENSATE PAN	028-12458-003	028-12458-003	028-12458-004
2	45	GASKET, BURN BOX TO VEST PANEL	028-12459-004	028-12459-004	028-12459-005
3	46	GROMMET, MANIFOLD SEAL	028-12465-000	028-12465-000	028-12465-000
2	47	PLUG, WINDOW, CLEAR - 1.5"	025-37005-000	025-37005-000	025-37005-000
2	48	HANDLE, DOOR	029-22113-000	029-22113-000	029-22113-000
2	49	ISOLATOR, TUBE (3 Req'd.)	028-09412-001	028-09412-001	028-09412-001
2	50	ISOLATOR, WASHER (3 Req'd.)	028-09412-002	028-09412-002	028-09412-002
2	51	ISOLATOR, SLEEVE (3 Req'd.)	028-09412-003	028-09412-003	028-09412-003
2	52	MOUNT, MOTOR	026-31480-000	026-31459-000	026-31459-000
3	53	ORIFICE, BURNER (Natural #45)	029-21182-045	029-21182-045	029-21182-045
	54				
*	55	RETAINER, FILTER P3U, G9T	026-28040-000	026-28040-000	026-28040-000
2	56	TRAP, CONDENSATE	028-14723-000	028-14723-000	028-14723-000
*	57	WIRING DIAGRAM	035-17474-000	035-17474-000	035-17474-000
2	58	TUBE, DRAIN RAIN GUTTER	028-12463-002	028-12463-002	028-12463-002
2	59	TUBE, CONDENSATE DRAIN	028-13243-000	028-13243-000	028-13243-000
2	60	TUBE, DRAIN CONDENSATE TRAP	028-12464-002	028-12464-002	028-12464-003
3	61	BRACKET, IGNITOR	073-17403-000	073-17403-000	073-17403-000
*	62	TUBE, DRAIN CONDENSATE PAN	028-12462-001	028-12462-001	028-12462-001
2	63	PIPE EXHAUST VENT	028-13240-000	028-13240-000	028-13240-000
2	64	GASKET, RETURN TUBE (2 Req'd)	028-12461-000	028-12461-000	028-12461-000

NOTE: *Not Shown
 New replacement parts shown in **bold** face type at the first printing of parts list dated 2/04.
 Major components and suggested stocking items are shown with shaded item number.
 "<" Across from row indicates a change in that row.
 --- Not applicable to specified model.



FIG	ITEM	DESCRIPTION	P3URD20N13001E	P3URD20N13001F
			G9T14020UPD13C	G9T14020UPD13D
			FG9D14020UP11C	FG9D14020UP11D
			(7 BURNER)	(6 BURNER)
MOTOR				
1	1	MOTOR,DIRECT DRIVE BLOWER	024-23238-001	024-23238-001
1	2	MOTOR,VENTOR ASS'Y	373-20717-001	373-20717-001
ELECTRICAL				
1	3	CAPACITOR (15MFD/370V)	024-20446-000	024-20446-000
1	4	CAPACITOR, VENTOR (4MFD/370V)	024-20084-000	024-20084-000
1	5	CONTROL, HIGH LIMIT	025-29041-004	025-29041-004
1,3	6	CONTROL,FLAME ROLL OUT (2 ea.)	025-27792-001	025-27792-001
1	7	CONTROL,FURNACE	031-01267-001	031-01267-001
*	7A	FUSE	025-32746-026	025-32746-026
1,3	8	IGNITER	025-32625-000	025-32625-000
1,3	9	SENSOR, FLAME	025-30788-000	025-30788-000
1	10	SWITCH, AIR PRESSURE [1LP]	024-27638-001	024-27638-001
1	11	SWITCH, DOOR	024-31943-000	024-31943-000
1	12	TRANSFORMER	025-30889-000	025-30889-000
1,3	13	VALVE, GAS	025-37426-000	025-37426-000
AIR MOVING				
1	14	CUTOFF, BLOWER	063-78006-000	063-78006-000
1	15	HOUSING, BLOWER	373-17829-001	373-17829-001
1	16	WHEEL, BLOWER	026-19654-014	026-19654-014
FABRICATED PARTS				
2	17	BAFFLE, AIR (LH Recoup.Coil)	073-12127-002	073-12127-002
2	18	BAFFLE, AIR (RH Rcoup. Coil)	073-12127-001	073-12127-001
3	19	BURNER, MAIN GAS	029-20482-000	029-20482-000
2	20	COIL, SECONDARY HEAT EXCHANGER	373-18279-006	373-18279-006
2	21	DECK, BLOWER (Rear)	073-12083-000	073-12083-000
2	22	DECK, FRONT	073-20827-000	073-20827-000
2	23	HEAT EXCHANGER ASS'Y(Primary)	373-17467-006	373-17467-005
2,3	24	MANIFOLD, GAS	029-21177-005	029-21177-005
2	25	PAN, BASE	073-17504-004	073-17504-004
2	26	PAN, CONDENSATE	028-13327-000	028-13327-000
2,3	27	PANEL, BURNER BOX (Bottom)	073-20824-000	073-20824-000
2	28	PANEL, BURNER BOX (Front)	373-22155-005	373-22155-005
2,3	29	WRAPPER, BURNER BOX	073-14546-000	073-14546-000
2	30	CHANNEL, TOE PLATE	073-12062-004	073-12062-004
2	31	COVER, HEAT EXCHANGER	073-17618-000	073-17618-000
2	32	PANEL, FRONT (Blower)	073-17522-004	073-17522-004
2	33	PANEL, FRONT (Burner)	073-17975-004	073-17975-004
2	34	PANEL, TOP	073-17448-000	073-17448-000
3	35	SUPPORT, BURNER	073-17458-000	073-17458-000
2	36	WRAPPER, CABINET P3U	373-22426-003	373-22426-003
		WRAPPER, CABINET G9T,FG9	373-22424-004	373-22424-004
2	37	PANEL, VESTIBULE (Lower)	073-14416-000	073-14416-000
2	38	PLUG, WINDOW,CLEAR - .875"	025-30899-000	025-30899-000
*	39	CLIP, FLITER RETAINER (2Req'd) P3U,G9T	021-16017-000	021-16017-000
3	40	COLLAR, AIR INTAKE (Burner Box)	028-11290-000	028-11290-000
*	41	FILTER, AIR P3U, G9T	026-28048-004	026-28048-004
		FILTER SIZE	(1 X 24 X 26)	(1 X 24 X 26)
3	42	GASKET, AIR INTAKE	028-12460-002	028-12460-002
2	43	GASKET, COMBUSTION BLOWER	028-12498-000	028-12498-000
2	44	GASKET, CONDENSATE PAN	028-12458-005	028-12458-005
2	45	GASKET, BURN BOX TO VEST PANEL	028-12459-005	028-12459-005
3	46	GROMMET, MANIFOLD SEAL	028-12465-000	028-12465-000
2	47	PLUG, WINDOW, CLEAR - 1.5"	025-37005-000	025-37005-000
2	48	HANDLE, DOOR	029-22113-000	029-22113-000
2	49	ISOLATOR, TUBE (3 Req'd.)	028-09412-001	028-09412-001
2	50	ISOLATOR, WASHER (3 Req'd.)	028-09412-002	028-09412-002
2	51	ISOLATOR,SLEEVE (3 Req'd.)	028-09412-003	028-09412-003
2	52	MOUNT, MOTOR	026-31459-000	026-31459-000

FIG	ITEM	DESCRIPTION	P3URD20N13001E	P3URD20N13001F
			G9T14020UPD13C	G9T14020UPD13D
			FG9D14020UP11C	FG9D14020UP11D
			(7 BURNER)	(6 BURNER)
3	53	ORIFICE, BURNER (Natural #43)	029-20423-043	029-20423-043
	54			
*	55	RETAINER, FILTER P3U, G9T	026-28040-000	026-28040-000
2	56	TRAP, CONDENSATE	028-14723-000	028-14723-000
*	57	WIRING DIAGRAM	035-17474-000	035-17474-000
2	58	TUBE, DRAIN RAIN GUTTER	028-12463-002	028-12463-002
2	59	TUBE, CONDENSATE DRAIN	028-13243-000	028-13243-000
2	60	TUBE, DRAIN CONDENSATE TRAP	028-12464-003	028-12464-003
3	61	BRACKET, IGNITOR	073-17403-000	073-17403-000
2	62	TUBE, DRAIN CONDENSATE PAN	028-12462-001	028-12462-001
2	63	PIPE EXHAUST VENT	028-13240-000	028-13240-000
2	64	GASKET, RETURN TUBE (2 Req'd)	028-12461-000	028-12461-000

<

NOTE: *Not Shown

New replacement parts shown in **bold** face type at the first printing of parts list dated 2/04.

Major components and suggested stocking items are shown with shaded item number.

"<" Across from row indicates a change in that row.

--- Not applicable to specified model.



FIELD INSTALLED ACCESSORIES - NON-ELECTRICAL		
MODEL NO.	DESCRIPTION	USED WITH
1NP0347	PROPANE (LP) CONVERSION KIT	ALL MODELS EXCEPT 140 MBH
1NP0349		140 MBH
1SR0302	EXTERNAL SIDE FILTER RACK (6 PACK)	ALL MODELS
1CT0302	CONCENTRIC INTAKE/VENT 2"	40, 60, 80, 100 INPUT MBH
1CT0303	CONCENTRIC INTAKE/VENT 3"	120-140 MBH
1PS0306	HIGH ALTITUDE PRESSURE SWITCH KIT (Does Not Include Orifices)	FOR APPLICATION INFORMATION SEE FORM 650.75-N2.1V
1PS0307		
1PS0308		
1PS0309		
1PS0310		
1BR0314	EXTERNAL BOTTOM FILTER RACK	14-1/2" CABINETS
1BR0317		17-1/2" CABINETS
1BR0321		21" CABINETS
1BR0324		24-1/2" CABINETS
1NK0301	CONDENSATE NEUTRALIZER KIT	ALL MODELS

FIELD INSTALLED ACCESSORIES - ELECTRICAL		
MODEL NO.	DESCRIPTION	USED WITH
2TH07700124	THERMOSTAT- One-stage heat/cool. Manual changeover, integral subbase. System Switch: Cool-Off-Heat. Fan Switch: Auto-On.	ALL P3U MODELS
2TH13700424	THERMOSTAT- One-stage heat. Deluxe 24V with heat only subbase, does not include fan switch. NOTE: For one-stage cool or one-stage heat/cool, must be used with subbase 2TB17700424.	
2TB17700424	SUBBASE (24V) - One-stage heat/cool. Manual changeover, integral subbase. System Switch: Cool-Off-Heat. Fan Switch: Auto-On.	
2ET07700224	THERMOSTAT- One-stage heat/cool. Programmable changeover, with subbase. System Switch: Cool-Off-Heat. Fan Switch: Auto-On.	ALL G9T,FG9 MODELS
6TH13701024	THERMOSTAT- Heating, One-stage heat, No Fan Switch.	
6TH07700124	THERMOSTAT- Heating/Cooling, One-stage heat/cool. Manual changeover.	
2CT03700124	TWINNING CONTROL	ALL MODELS

TO ORDER AUTHORIZED FACTORY REPLACEMENT PARTS - Contact your Source1 HVAC Parts Distributor or visit our website at www.Source1Parts.com for a Distributor and Dealer listing.