



www.Source1Parts.com

GF9S SERIES (STYLE G) UPFLOW NATURAL GAS FURNACES - 92%

HVAC SERVICE PARTS

Supersedes: Nothing

035-20372-001 Rev. A (0504)

1 of 8

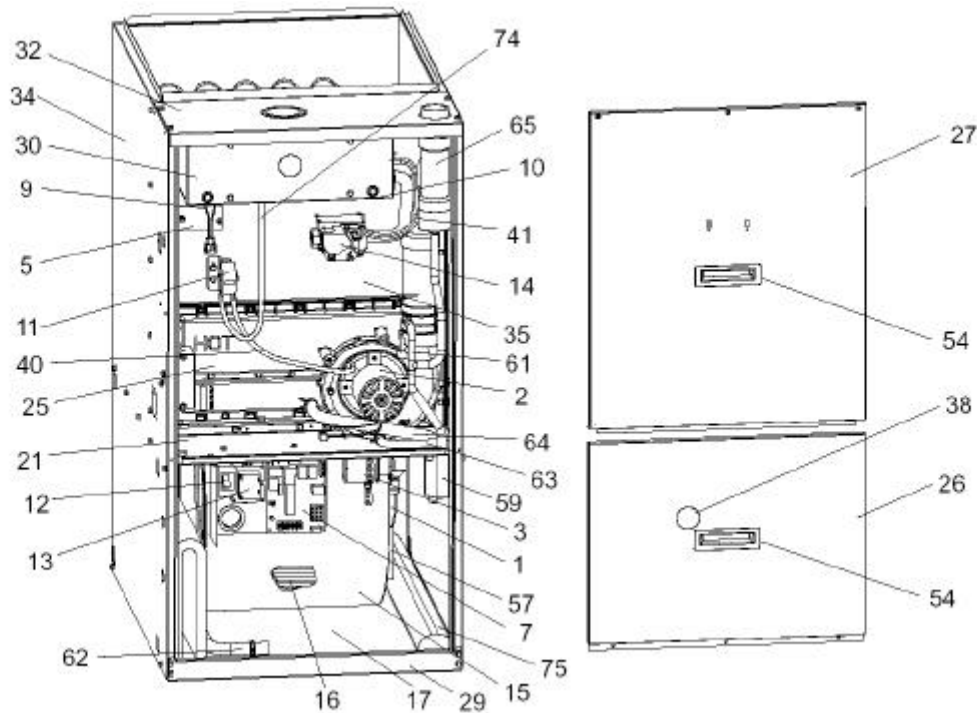


Figure 1: UPFLOW NATURAL GAS FURNACES (92%)

FIG	ITEM	DESCRIPTION	GF9S060B12UP11G	GF9S080B12UP11G	GF9S080C16UP11G
			(3 BURNER)	(4 BURNER)	(4 BURNER)
MOTOR					
1	1	MOTOR, DIRECT DRIVE BLOWER	024-32054-000	024-32054-000	024-32055-000
1,2	2	MOTOR, INDUCER ASS'Y	024-34558-000	024-34558-000	024-34558-000
ELECTRICAL					
1	3	CAPACITOR, RUN (7.5MFD/370V) CAPACITOR, RUN (10MFD/370V)	024-20045-000 ---	024-20045-000 ---	--- 024-20046-000
2	4	SWITCH, LIMIT (INDUCER)	025-38737-000	025-38737-000	025-38737-000
1	5	LIMIT, TEMPERATURE (Primary)	025-29041-004	025-29041-012	025-29041-011
3	6	LIMIT, FLAME ROLL-OUT	025-27792-001	025-27792-001	025-27792-001
1	7	CONTROL, FURNACE MODULE	031-01972-000	031-01972-000	031-01972-000
*	8	FUSE	025-32746-026	025-32746-026	025-32746-026
1,3	9	IGNITER	025-32625-000	025-32625-000	025-32625-000
1,3	10	SENSOR, FLAME	025-37499-000	025-37499-000	025-37499-000
1	11	SWITCH, PRESSURE	024-27639-001	024-27639-001	024-27639-001
1	12	SWITCH, DOOR	024-27640-000	024-27640-000	024-27640-000
1	13	TRANSFORMER	025-30889-000	025-30889-000	025-30889-000
1,3	14	VALVE, GAS	025-37426-000	025-37426-000	025-37426-000
AIR MOVING					
1	15	HOUSING, BLOWER	373-19812-751	373-19812-751	373-19816-751
1	16	WHEEL, BLOWER	026-19654-009	026-19654-009	026-19654-014

NOTE: *Not Shown

New replacement parts shown in **bold** face type at the first printing of parts list dated 5/04.

Major components and suggested stocking items are shown with shaded item number.

"<" Across from row indicates a change in that row.

--- Not applicable to specified model.

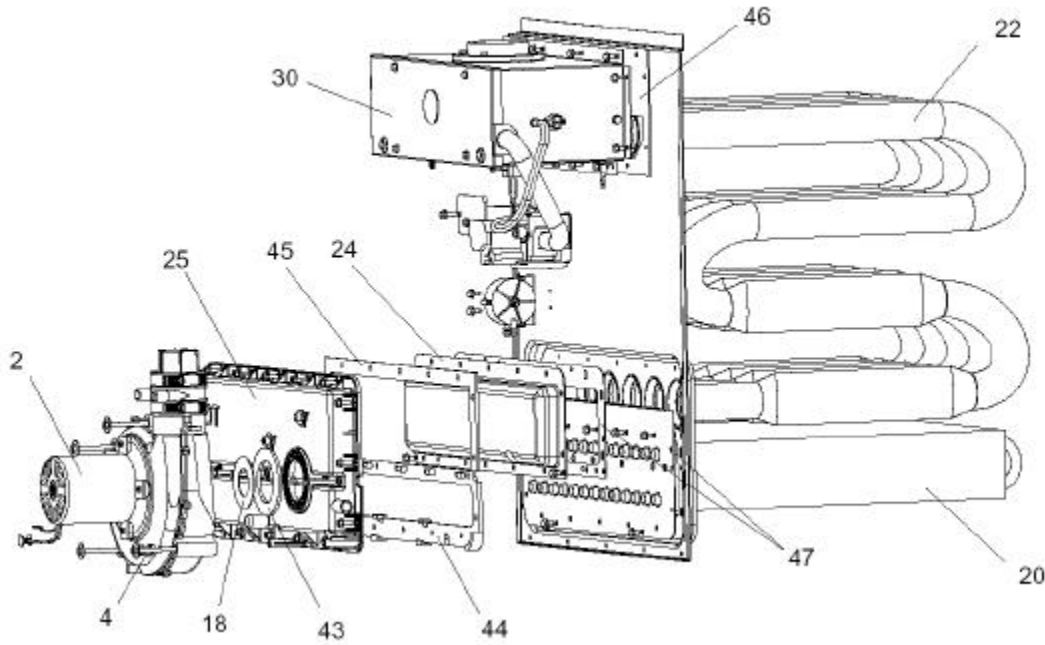


Figure 2: UPFLOW NATURAL GAS FURNACES (92%)

FIG	ITEM	DESCRIPTION	GF9S060B12UP11G	GF9S080B12UP11G	GF9S080C16UP11G
			(3 BURNER)	(4 BURNER)	(4 BURNER)
FABRICATED PARTS					
1	17	PANEL, BLOCK-OFF	073-19812-090	073-19812-090	073-19816-090
2	18	COMBUSTION BLWR RESTRICTOR	028-15163-000	---	028-15164-000
3	19	BURNER, MAIN GAS	029-20482-000	029-20482-000	029-20482-000
2	20	COIL, CONDENSING	373-19812-801	373-19812-801	373-19816-801
1	21	SHELF, BLOWER	073-19812-212	073-19812-212	073-19816-212
2	22	HEAT EXCHANGER ASS'Y	373-19812-601	373-19812-602	373-19816-601
3	23	MANIFOLD, GAS	029-22253-030	029-22253-040	029-22253-040
2	24	SHIELD, PAN	073-19812-560	073-19812-560	073-19816-560
1,2	25	PAN, CONDENSATE	028-14756-001	028-14756-001	028-14757-001
1	26	PANEL, BLOWER ACCESS	073-19812-113	073-19812-113	073-19816-113
1	27	ACCESS PANEL, UPPER	073-19812-121	073-19812-121	073-19816-121
3	28	WRAPPER, BURNER BOX	073-19811-030	073-19811-040	073-19811-040
1	29	CHANNEL, TOE PLATE	073-19862-056	073-19862-056	073-19862-057
1,2,3	30	COVER, GAS CONTROL	373-22155-002	373-22155-003	373-22155-003
3	31	BOTTOM PANEL, BURNER BOX	073-19811-130	073-19811-140	073-19811-140
1	32	PANEL, TOP	073-19812-021	073-19812-011	073-19816-021
3	33	SUPPORT, BURNER	073-19811-330	073-19811-340	073-19811-340
1	34	WRAPPER, CABINET	373-19812-153	373-19812-153	373-19816-153
1	35	PANEL, VESTIBULE	073-19812-034	073-19812-044	073-19816-044
3	36	PLATE, DIFFUSER	073-14566-002	073-14566-003	073-14566-003
3	37	BRACKET, IGNITER	073-17403-000	073-17403-000	073-17403-000

NOTE: *Not Shown

New replacement parts shown in **bold** face type at the first printing of parts list dated 5/04.

Major components and suggested stocking items are shown with shaded item number.

"<" Across from row indicates a change in that row.

--- Not applicable to specified model.

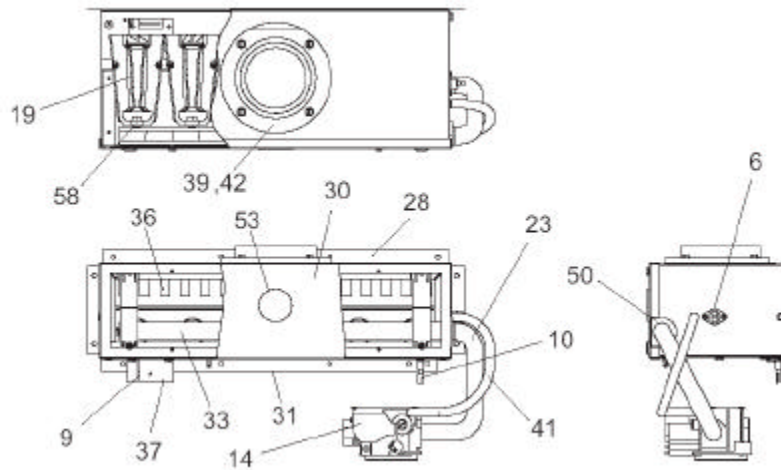


Figure 3: GAS CONTROLS (92%)

FIG	ITEM	DESCRIPTION	GF9S060B12UP11G	GF9S080B12UP11G	GF9S080C16UP11G
			(3 BURNER)	(4 BURNER)	(4 BURNER)
MISCELLANEOUS					
1	38	PLUG, WINDOW, CLEAR - .875"	025-37005-000	025-37005-000	025-37005-000
3	39	CONNECTOR AIR INTAKE 2"	028-11289-000	028-11289-000	028-11289-000
1	40	TUBING, SILICONE (Gray, .188 ID, 2 ft. Req'd)	028-12499-000	028-12499-000	028-12499-000
1,3	41	TUBING, PREFORMED	028-15170-000	028-15170-000	028-15170-000
3	42	GASKET, AIR INTAKE	028-12460-001	028-12460-001	028-12460-001
2	43	GASKET, COMBUSTION BLOWER	028-14767-000	028-14767-000	028-14767-000
2	44	GASKET, CONDENSATE PAN	028-14759-002	028-14759-002	028-14759-003
2	45	GASKET, UPPER CONDENSATE PAN	028-14773-000	028-14773-000	028-14774-000
2	46	GASKET, GAS CONTROLS	028-14772-103	028-14772-104	028-14772-104
2	47	GASKET (COND. COIL/LOWER PAN) (2 Req'd)	028-14760-002	028-14760-002	028-14760-003
	48				
*	49	GASKET, MOUNTING BRKT (Burner Box)	028-13256-000	028-13256-000	028-13256-000
3	50	GROMMET, MANIFOLD SEAL	028-12465-000	028-12465-000	028-12465-000
*	51	GROMMET, MOTOR (3 Req'd)	028-14740-000	028-14740-000	028-14740-000
*	52	GROMMET, 1/2" DIA.	025-30823-000	025-30823-000	025-30823-000
3	53	PLUG, WINDOW, CLEAR - 1.5"	025-37005-000	025-37005-000	025-37005-000
1	54	HANDLE, DOOR (2 Req'd)	028-14886-000	028-14886-000	028-14886-000
	55				
*	56	HARNESS, MAIN WIRING	373-19811-531	373-19811-531	373-19811-531
1	57	MOUNT, 1 PC. MOTOR	073-19831-001	073-19831-001	073-19831-001
3	58	ORIFICE, BURNER (Natural #45)	029-21182-045	029-21182-045	029-21182-045
1	59	TRAP, CONDENSATE	028-14762-000	028-14762-000	028-14762-000
*	60	WIRING DIAGRAM	035-17738-001	035-17738-001	035-17738-001
1	61	DRAIN TUBE ASSEMBLY	028-15192-000	028-15192-000	028-15192-000
1	62	DRAIN TUBE, CONDENSATE TRAP	028-13309-004	028-13309-004	028-13309-004
1	63	DRAIN TUBE, COMBUSTION BLOWER	028-14764-000	028-14764-000	028-14764-000
1	64	DRAIN TUBE, CONDENSATE PAN	028-14763-000	028-14763-000	028-14763-000
1	65	ASSEMBLY, VENT PIPE	028-15191-000	028-15191-000	028-15191-000
*	66	LOCKNUT, CONDUIT (1/2")	025-32683-000	025-32683-000	025-32683-000
*	67	ADAPTER, INSERT	025-31808-000	025-31808-000	025-31808-000
*	68	BUSHING, THREADED	025-31807-000	025-31807-000	025-31807-000
*	69	WASHER, FLAT FIBERGLASS (2 Req'd)	028-14768-000	028-14768-000	028-14768-000
*	70	REDUCER, PVC	028-14769-000	028-14769-000	028-14769-000
	71				
	72				
*	73	LOGO/BEZEL PLATE ASSY	373-23701-004	373-23701-004	373-23701-004
1	74	TUBING, SILICONE (Gray, .188 ID, 1.25 ft. Req'd)	028-12499-000	028-12499-000	028-12499-000
1	75	FRAME, SIDE BASE (2 Req'd)	073-19811-085	073-19811-085	073-19811-085

NOTE: *Not Shown

New replacement parts shown in **bold** face type at the first printing of parts list dated 5/04.

Major components and suggested stocking items are shown with shaded item number.

"<" Across from row indicates a change in that row.

--- Not applicable to specified model.



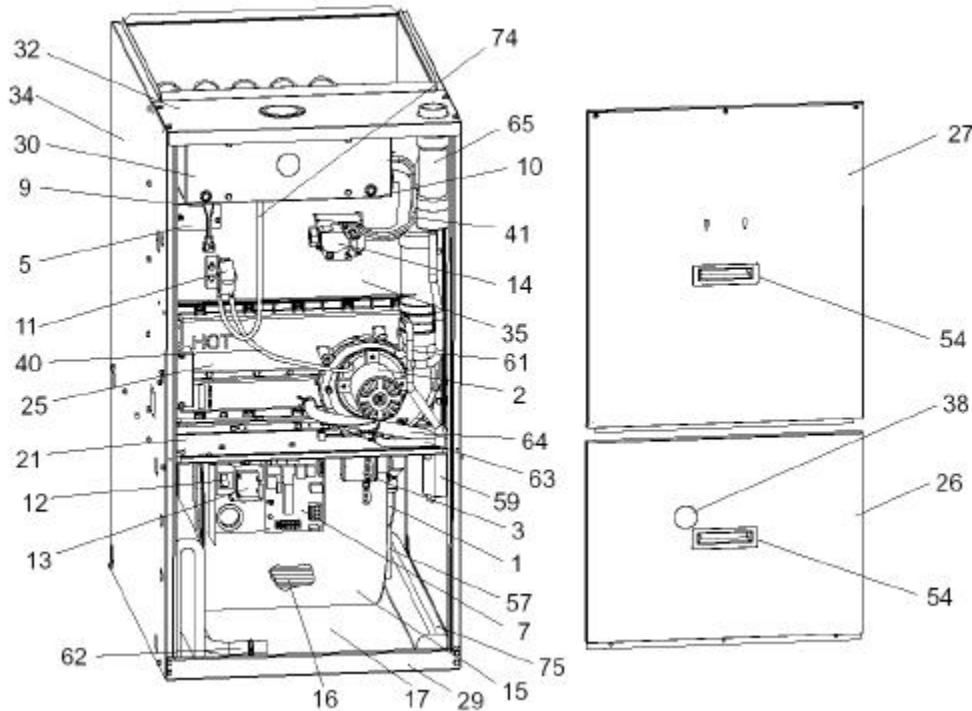


Figure 1: UPFLOW NATURAL GAS FURNACES (92%)

FIG	ITEM	DESCRIPTION	GF9S100C16UP11G	GF9S120D20UP11G
			(5 BURNER)	(6 BURNER)
MOTOR				
1	1	MOTOR, DIRECT DRIVE BLOWER	024-32055-000	024-32056-000
1,2	2	MOTOR, INDUCER ASS'Y	024-34558-000	024-34558-000
ELECTRICAL				
1	3	CAPACITOR, RUN (10MFD/370V)	024-20046-000	---
		CAPACITOR (15MFD/370V)	---	024-20446-000
2	4	SWITCH, LIMIT (INDUCER)	025-38737-000	025-38737-000
1	5	LIMIT, TEMPERATURE (Primary)	025-29041-011	025-29041-011
3	6	LIMIT, FLAME ROLL-OUT	025-27792-001	025-27792-001
1	7	CONTROL, FURNACE MODULE	031-01972-000	031-01972-000
*	8	FUSE	025-32746-026	025-32746-026
1,3	9	IGNITER	025-32625-000	025-32625-000
1,3	10	SENSOR, FLAME	025-37499-000	025-37499-000
1	11	SWITCH, PRESSURE	024-27639-001	024-27639-001
1	12	SWITCH, DOOR	024-27640-000	024-27640-000
1	13	TRANSFORMER	025-30889-000	025-30889-000
1,3	14	VALVE, GAS	025-37426-000	025-37426-000
AIR MOVING				
1	15	HOUSING, BLOWER	373-19816-751	373-19820-751
1	16	WHEEL, BLOWER	026-19654-014	026-38510-000

NOTE: *Not Shown

New replacement parts shown in **bold** face type at the first printing of parts list code dated 5/04.

Major components and suggested stocking items are shown with shaded item number.

"<" Across from row indicates a change in that row.

--- Not applicable to specified model.

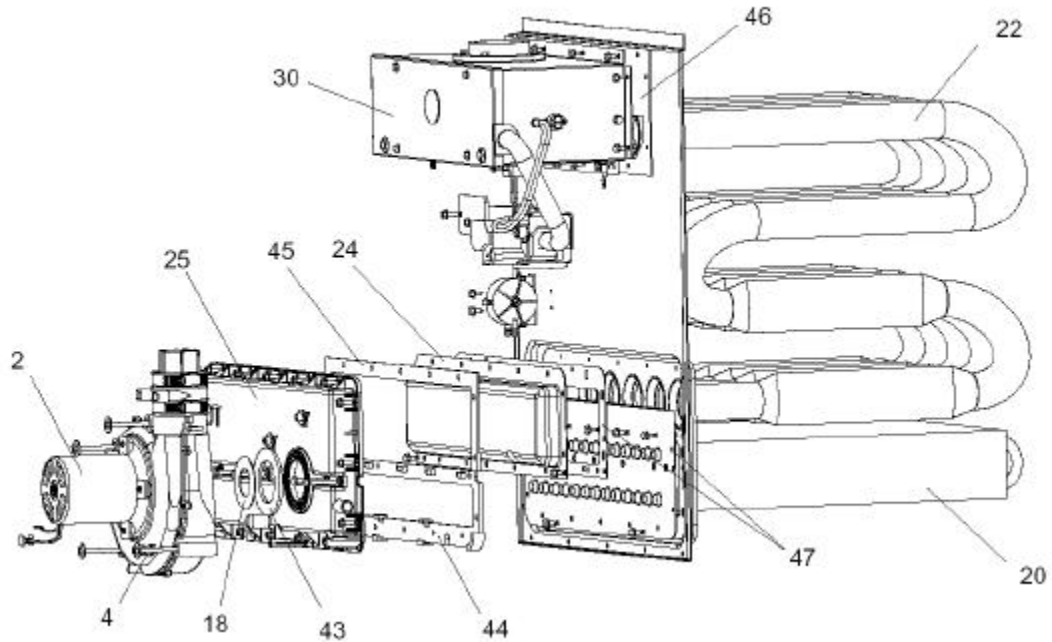


Figure 2: UPFLOW NATURAL GAS FURNACES (92%)

FIG	ITEM	DESCRIPTION	GF9S100C16UP11G	GF9S120D20UP11G	<
			(5 BURNER)	(6 BURNER)	
FABRICATED PARTS					
1	17	PANEL, BLOCK-OFF	073-19816-090	073-19820-090	
2	18	COMBUSTION BLWR RESTRICTOR	---	---	
3	19	BURNER, MAIN GAS	029-20482-000	029-20482-000	
2	20	COIL, CONDENSING	373-19816-801	373-19820-801	
1	21	SHELF, BLOWER	073-19816-212	073-19820-212	
2	22	HEAT EXCHANGER ASS'Y	373-19816-602	373-19820-601	
3	23	MANIFOLD, GAS	029-22253-050	029-22253-060	
2	24	SHIELD, PAN	073-19816-560	073-19820-560	
1,2	25	PAN, CONDENSATE	028-14757-001	028-14758-001	
1	26	PANEL, BLOWER ACCESS	073-19816-113	073-19820-113	
1	27	ACCESS PANEL, UPPER	073-19816-121	073-19820-121	
3	28	WRAPPER, BURNER BOX	073-19811-050	073-19811-060	
1	29	CHANNEL, TOE PLATE	073-19862-057	073-19862-058	
1,2,3	30	COVER, GAS CONTROL	373-22155-004	373-22155-005	
3	31	BOTTOM PANEL, BURNER BOX	073-19811-150	073-19811-160	
1	32	PANEL, TOP	073-19816-011	073-19820-011	
3	33	SUPPORT, BURNER	073-19811-350	073-19811-360	
1	34	WRAPPER, CABINET	373-19816-153	373-19820-153	
1	35	PANEL, VESTIBULE	073-19816-054	073-19820-064	
3	36	PLATE, DIFFUSER	073-14566-004	073-14566-005	
3	37	BRACKET, IGNITER	073-17403-000	073-17403-000	

NOTE: *Not Shown

New replacement parts shown in **bold** face type at the first printing of parts list dated 5/04.

Major components and suggested stocking items are shown with shaded item number.

"<" Across from row indicates a change in that row.

--- Not applicable to specified model.



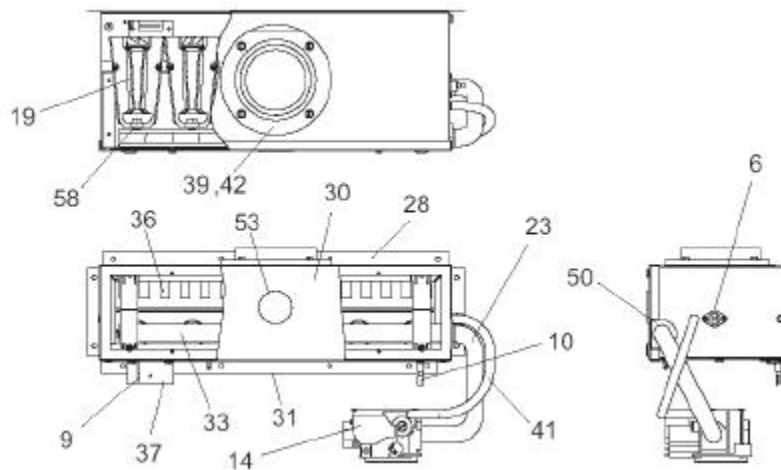


Figure 3: GAS CONTROLS (92%)

FIG	ITEM	DESCRIPTION	GF9S100C16UP11G	GF9S120D20UP11G
			(5 BURNER)	(6 BURNER)
MISCELLANEOUS				
1	38	PLUG, WINDOW, CLEAR - .875"	025-37005-000	025-37005-000
3	39	CONNECTOR AIR INTAKE 2"	028-11289-000	028-11290-000
1	40	TUBING, SILICONE (Gray, .188 ID, 2 ft. Req'd)	028-12499-000	028-12499-000
1,3	41	TUBING, PPREFORMED	028-15170-000	028-15170-000
3	42	GASKET, AIR INTAKE	028-12460-001	028-12460-002
2	43	GASKET, COMBUSTION BLOWER	028-14767-000	028-14767-000
2	44	GASKET, CONDENSATE PAN	028-14759-003	028-14759-004
2	45	GASKET, UPPER CONDENSATE PAN	028-14774-000	028-14775-000
2	46	GASKET, GAS CONTROLS	028-14772-105	028-14772-106
2	47	GASKET (COND. COIL/LOWER PAN) (2 Req'd)	028-14760-003	028-14760-004
	48			
*	49	GASKET, MOUNTING BRKT (Burner Box)	028-13256-000	028-13256-000
3	50	GROMMET, MANIFOLD SEAL	028-12465-000	028-12465-000
*	51	GROMMET, MOTOR (3 Req'd)	028-14740-000	028-14740-000
*	52	GROMMET, 1/2" DIA.	025-30823-000	025-30823-000
3	53	PLUG, WINDOW, CLEAR - 1.5"	025-37005-000	025-37005-000
1	54	HANDLE, DOOR (2 Req'd)	029-22113-000	029-22113-000
	55			
*	56	HARNESS, MAIN WIRING	373-19811-531	373-19811-531
1	57	MOUNT, 1 PC. MOTOR	073-19831-001	073-19831-001
3	58	ORIFICE, BURNER (Natural #45)	029-21182-045	029-21182-045
1	59	TRAP, CONDENSATE	028-14762-000	028-14762-000
*	60	WIRING DIAGRAM	035-17738-001	035-17738-001
1	61	DRAIN TUBE ASSEMBLY	025-15192-000	025-15192-000
1	62	DRAIN TUBE, CONDENSATE TRAP	028-13309-004	028-13309-004
1	63	DRAIN TUBE, COMBUSTION BLOWER	028-14764-000	028-14764-000
1	64	DRAIN TUBE, CONDENSATE PAN	028-14763-000	028-14763-000
1	65	ASSEMBLY, VENT PIPE	028-15191-000	028-15191-000
*	66	LOCKNUT, CONDUIT (1/2")	025-32683-000	025-32683-000
*	67	ADAPTER, INSERT	025-31808-000	025-31808-000
*	68	BUSHING, THREADED	025-31807-000	025-31807-000
*	69	WASHER, FLAT FIBERGLASS (2 Req'd)	028-14768-000	028-14768-000
*	70	REDUCER, PVC	028-14769-000	028-14771-000
	71			
	72			
*	73	LOGO/BEZEL PLATE ASSY	373-23700-001	373-23700-001
1	74	TUBING, SILICONE (Gray, .188 ID, 1.25 ft. Req'd)	028-12499-000	028-12499-000
1	75	FRAME, SIDE BASE (2 Req'd)	073-19811-085	073-19811-085

NOTE: *Not Shown

New replacement parts shown in **bold** face type at the first printing of parts list dated 5/04.

Major components and suggested stocking items are shown with shaded item number.

"<" Across from row indicates a change in that row.

--- Not applicable to specified model.



FIELD INSTALLED ACCESSORIES - NON-ELECTRICAL		
MODEL NO.	DESCRIPTION	USED WITH
1NP0347	PROPANE (LP) CONVERSION KIT	ALL MODELS
1CT0302	CONCENTRIC INTAKE/VENT 2"	60, 80, 100 INPUT MBH
1CT0303	CONCENTRIC INTAKE/VENT 3"	120 MBH
1PS0306	HIGH ALTITUDE PRESSURE SWITCH KIT (Does Not Include Orifices)	FOR APPLICATION INFORMATION SEE FORM 035-14447-000
1PS0307		
1PS0308		
1PS0309		
1PS0310		
1BR0417	EXTERNAL BOTTOM FILTER RACK	17-1/2" CABINETS
1BR0421		21" CABINETS
1BR0424		24-1/2" CABINETS
1NK0301	CONDENSATE NEUTRALIZER KIT	ALL MODELS
1SF0101	EXTERNAL SIDE RETURN FILTER RACK	ALL MODELS

FIELD INSTALLED ACCESSORIES - ELECTRICAL		
MODEL NO.	DESCRIPTION	USED WITH
6ET03700324	THERMOSTAT- Electronic Non-Programmable. One Heat/One Cool. Manual Changeover, Integral Sub-base. System Switch: Cool-Off-Heat, Fan Switch: Auto-On.	ALL MODELS
6ET03701024	THERMOSTAT- Electronic 7 Day Programmable. One Heat/One Cool. Auto Changeover, Integral Sub-base. System Switch: Cool-Off-Heat, Fan Switch: Auto-On. Power Stealing.	ALL MODELS
6ET03700024	(TS) THERMOSTAT- Electronic 7 Day Programmable. Two Heat/Two Cool. Auto Changeover, Integral Sub-base. System Switch: Cool-Off-Heat. Fan Switch: Auto-On.	ALL MODELS
6TH13701024	THERMOSTAT- Electronic 7 Day Programmable. Heating Only, One-stage Heat, No Fan Switch. Horizontal, Mercury Bulb	ALL MODELS

FIELD SERVICE KITS	
DESCRIPTION	PART NO.
Gas Pressure Test Kit without Tools	1PK0601
Gas Pressure Test Kit with Tools	1PK0602

TO ORDER AUTHORIZED FACTORY REPLACEMENT PARTS - Contact your Source1 HVAC Parts Distributor or visit our website at www.Source1Parts.com for a Distributor and Dealer listing.

Subject to change without notice. Printed in U.S.A.
Copyright © by York International Corp. 2004. All rights reserved.

035-20372-001 Rev. A (0504)
Supersedes: Nothing

**Unitary
Products
Group**

**5005
York
Drive**

**Norman
OK
73069**