

REPLACEMENT PARTS

DGU - STYLES "A" & "B" AND GUD - STYLE "B" UPFLOW NATURAL GAS FURNACES (90+)

Supersedes: 650.75-RP2E (796)

e

650.75-RP2E (897)

1 of 8

NOTE: SEE PAGE 7 FOR DGU STYLE "B" UNITS.
SEE PAGE 8 FOR GUD UNITS.

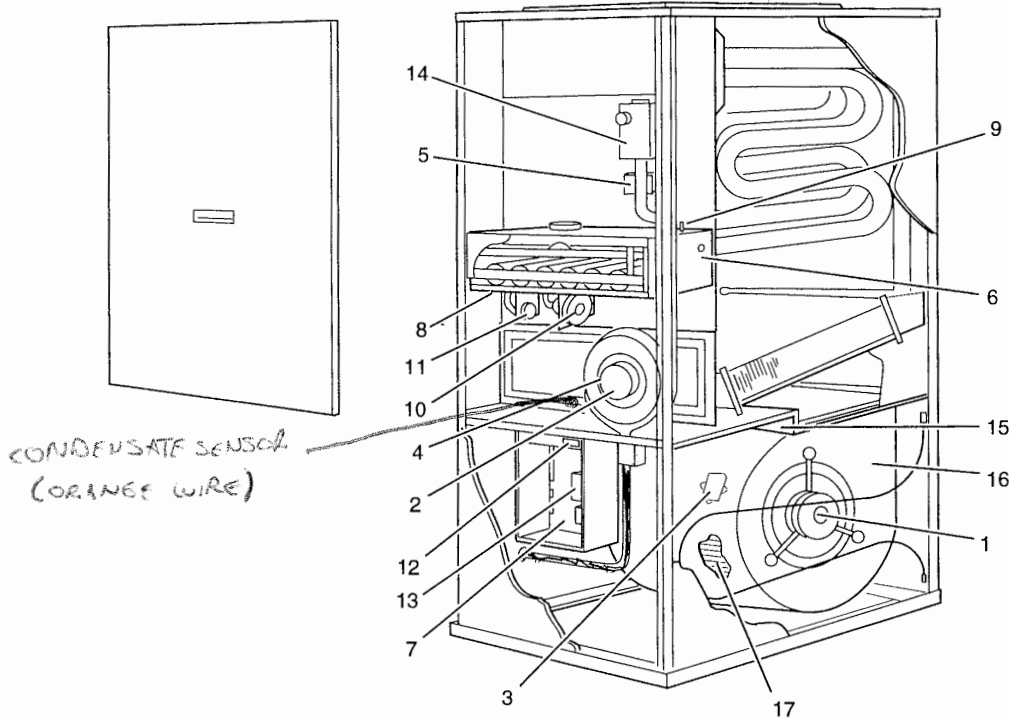


FIG. 1 - UPFLOW NATURAL GAS FURNACES (90+)

MOTORS

FIG	ITEM	DESCRIPTION	DGU04008UA (2 BURNER)	DGU06010UA (3 BURNER)	DGU08012UA (4 BURNER)	DGU08016UA (4 BURNER)
1	1	MOTOR, DIRECT DRIVE BLOWER	024-25108-703	024-25103-702	024-23271-000	024-26002-000
1	2	MOTOR, VENTOR (ASS'Y)	373-14249-701	373-14249-701	373-14249-701	373-14249-701

ELECTRICAL

1	3	CAPACITOR, RUNNING (7.5MFD/370V)	- - -	024-20045-700	024-20045-700	024-20046-700
1	3	CAPACITOR, RUNNING (5MFD/370V)	024-20043-700	- - -	- - -	- - -
1	3	CAPACITOR, RUNNING (10MFD/370V)	- - -	- - -	- - -	- - -
1	4	CAPACITOR, VENTOR (4MFD/370V)	024-20084-700	024-20084-700	024-20084-700	024-20084-700
1	5	CONTROL, HIGH LIMIT	025-29041-004	025-29041-012	025-29041-002	025-29041-004
1	6	CONTROL, FLAME ROLL-OUT	025-27792-001	025-27792-001	025-27792-001	025-27792-001
1	7	CONTROL, FURNACE	031-00662-000	031-00662-000	031-00662-000	031-00662-000
1	8	IGNITION (HOT SURFACE)	025-31801-000	025-31801-000	025-31801-000	025-31801-000
1	9	SENSOR, FLAME	025-30788-700	025-30788-700	025-30788-700	025-30788-700
1	10	SWITCH, AIR PRESSURE <i>also for only 1</i> [1LP]	024-25997-000	024-25995-000	024-26001-000	024-25996-000
1	11	SWITCH, AIR PRESSURE [2LP]	024-25993-000	024-25994-000	024-25994-000	024-26038-000
1	12	SWITCH, DOOR	024-25811-000	024-25811-000	024-25811-000	024-25811-000
1	13	TRANSFORMER	025-30889-000	025-30889-000	025-30889-000	025-30889-000
1	14	VALVE, GAS	025-31969-000	025-31969-000	025-31969-000	025-31969-000

AIR MOVING

1	15	CUTOFF, BLOWER	- - -	- - -	063-93198-000	063-93198-000
1	16	HOUSING, BLOWER	363-78000-002	363-78000-003	363-93200-000	363-93200-000
1	17	WHEEL, BLOWER	026-19654-702	026-19654-707	026-19654-709	026-19654-709

NOTES: * NOT SHOWN

MAJOR COMPONENTS AND SUGGESTED STOCKING ITEMS ARE SHOWN WITH SHADED ITEM NUMBER.

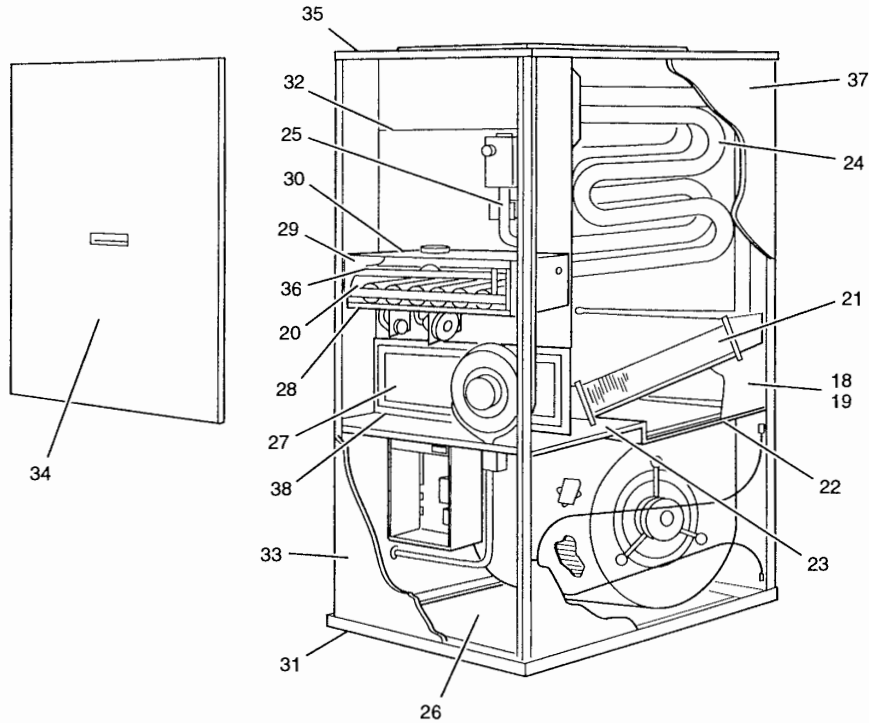


FIG. 2 - UPFLOW NATURAL GAS FURNACES (90+)

FABRICATED PARTS

FIG	ITEM	DESCRIPTION	DGU04008UA (2 BURNER)	DGU06010UA (3 BURNER)	DGU08012UA (4 BURNER)	DGU08016UA (4 BURNER)
2	18	BAFFLE, AIR (LH RECOUP. COIL)	073-12127-002	073-12127-002	073-12127-002	073-12127-002
2	19	BAFFLE, AIR (RH RECOUP. COIL)	073-12127-001	073-12127-001	073-12127-001	073-12127-001
2	20	BURNER, MAIN GAS	029-20482-000	029-20482-000	029-20482-000	029-20482-000
2	21	COIL, SECONDARY HEAT EXCHANGER	373-14523-001	373-14523-002	373-14523-003	373-14523-007
2	22	DECK, BLOWER (REAR)	073-12079-000	073-12080-000	073-12081-700	073-15317-000
2	23	DECK, FRONT	073-17421-000	073-17422-000	073-17422-000	073-17423-000
2	24	HEAT EXCHANGER ASS'Y (PRIMARY)	373-14524-001	373-14524-002	373-14524-003	373-14524-007
2	25	MANIFOLD, GAS	029-21177-001	029-21177-002	029-21177-003	029-21177-003
2	26	PAN, BASE	073-12061-701	073-12061-702	073-12061-702	073-12061-703
2	27	PAN, CONDENSATE	028-12451-000	028-12452-000	028-12453-000	028-12489-000
2	28	PANEL, BURNER BOX (BOTTOM)	073-14547-000	073-14548-000	073-14549-000	073-14549-000
2	29	PANEL, BURNER BOX (FRONT) (1)	373-14526-001	373-14526-002	373-14526-003	373-14526-003
2	30	WRAPPER, BURNER BOX	073-14542-000	073-14543-000	073-14544-000	073-14544-000
2	31	CHANNEL, TOE PLATE	073-12062-011	073-12062-702	073-12062-702	073-12062-703
2	32	COVER, HEAT EXCHANGER	073-12096-000	073-12097-000	073-12098-700	073-12098-700
2	33	PANEL, FRONT (BLOWER)	073-14467-011	073-14467-012	073-14467-012	073-14467-013
2	34	PANEL, FRONT (BURNER)	073-15601-001	073-15601-002	073-15601-002	073-15601-003
2	35	PANEL, TOP	073-14557-000	073-14558-000	073-14558-000	073-14559-000
2	36	SUPPORT BURNER	073-14552-000	073-14553-000	073-14554-000	073-14554-000
2	37	WRAPPER, CABINET	373-12056-011	373-12056-702	373-12056-702	373-12056-703
2	38	PANEL, VESTIBULE (LOWER)	073-14569-000	073-14570-000	073-14570-000	073-14571-000

* NOT SHOWN

(1) INCLUDES OBSERVATION PORT, GROMMET AND GASKETS.

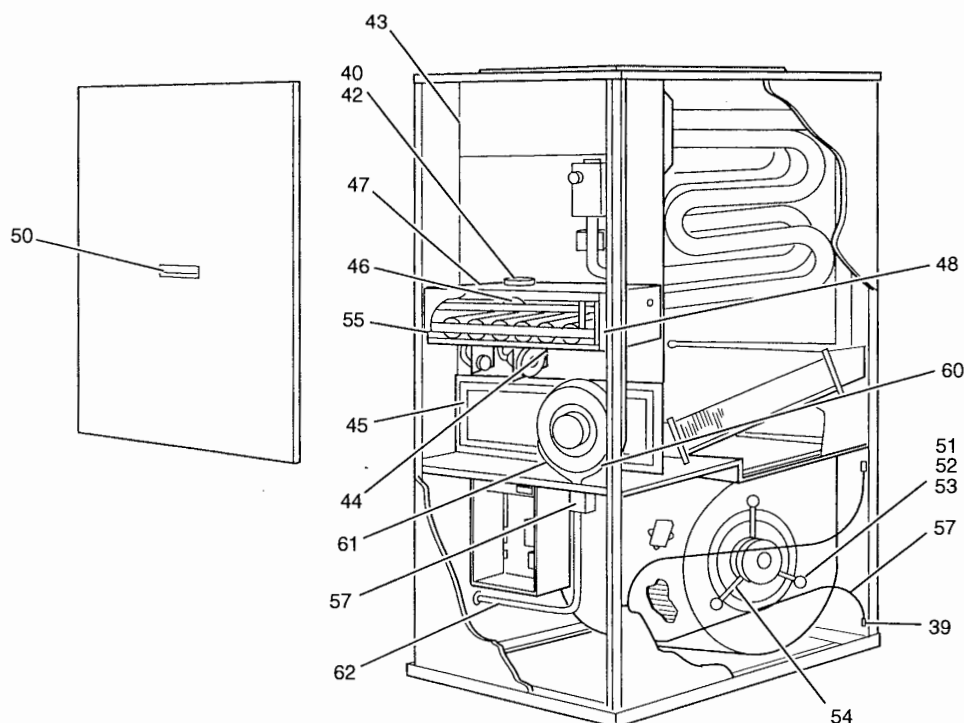


FIG. 3 - UPFLOW NATURAL GAS FURNACES (90+)

MISC.

FIG	ITEM	DESCRIPTION	DGU04008UA (2 BURNER)	DGU06010UA (3 BURNER)	DGU08012UA (4 BURNER)	DGU08016UA (4 BURNER)
3	39	CLIP, FILTER RETAINER (2-REQ'D)	021-16017-000	021-16017-000	021-16017-000	021-16017-000
3	40	COLLAR, AIR INTAKE (BURNER BOX)	028-11289-000	028-11289-000	028-11289-000	028-11289-000
*	41	FILTER, AIR	026-28048-001	026-28048-001	026-28048-001	026-28048-001
			(1 x 16 x 26)	(1 x 16 x 26)	(1 x 16 x 26)	(1 x 16 x 26)
3	42	GASKET, AIR INTAKE COLLAR	028-12460-001	028-12460-001	028-12460-001	028-12460-001
3	43	GASKET, HEAT EXCHANGER COVER	028-12440-001	028-12440-002	028-12440-003	028-12440-003
3	44	GASKET, COMBUSTION BLOWER	028-12498-000	028-12498-000	028-12498-000	028-12498-000
3	45	GASKET, CONDENSATE PAN	028-12458-001	028-12458-002	028-12458-002	028-12458-003
3	46	GASKET, BURNER BOX	028-11647-000	028-11647-000	028-11647-000	028-11647-000
3	47	GASKET, BURNER BOX TO VEST PANEL	028-12459-001	028-12459-002	028-12459-003	028-12459-003
3	48	GROMMET, MANIFOLD SEAL	028-12465-000	028-12465-000	028-12465-000	028-12465-000
*	49	GROMMET, OBSERVATION PORT	028-11284-000	028-11284-000	028-11284-000	028-11284-000
3	50	HANDLE, DOOR	032-00140-000	032-00140-000	032-00140-000	032-00140-000
3	51	ISOLATOR, TUBE (3-REQ'D)	- - -	- - -	028-09412-001	028-09412-001
3	52	ISOLATOR, WASHER (3-REQ'D)	- - -	- - -	028-09412-002	028-09412-002
3	53	ISOLATOR, SLEEVE (3-REQ'D)	- - -	- - -	028-09412-003	028-09412-003
3	54	MOUNT, MOTOR	- - -	- - -	026-31459-000	026-31459-000
3	55	ORIFICE, BURNER (NATURAL #44)	029-20423-044	029-20423-044	029-20423-044	029-20423-044
*	56	PORT, OBSERVATION (GLASS)	028-11285-000	028-11285-000	028-11285-000	028-11285-000
3	57	RETAINER, FILTER	026-28040-000	026-28040-000	026-28040-000	026-28040-000
3	58	TRAP, CONDENSATE	028-13241-000	028-13241-000	028-13241-000	028-13241-000
*	59	WIRING DIAGRAM	035-13196-000	035-13196-000	035-13196-000	035-13196-000
3	60	HOSE, INDUCER DRAIN	028-12463-001	028-12463-002	028-12463-002	028-12463-002
3	61	HOSE, CONDENSATE PAN DRAIN	028-12462-002	028-12462-001	028-12462-001	028-12462-001
3	62	HOSE, CONDENSATE DRAIN	028-12464-001	028-12464-001	028-12464-001	028-12464-002

* NOT SHOWN

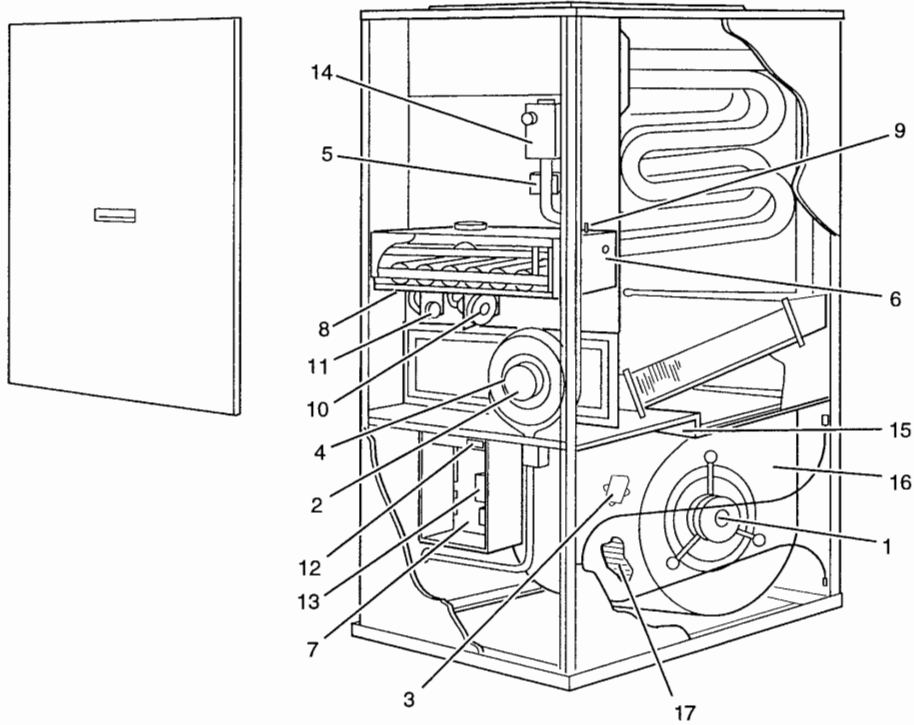


FIG. 4 - UPFLOW NATURAL GAS FURNACES (90+)

MOTORS

FIG	ITEM	DESCRIPTION	DGU10014UA (5 BURNER)	DGU10020UA (5 BURNER)	DGU12020UA (6 BURNER)
4	1	MOTOR, DIRECT DRIVE BLOWER	024-26003-000	024-23238-700	024-23238-700
4	2	MOTOR, VENTOR (ASS'Y)	373-14249-701	373-14249-701	373-14249-701

ELECTRICAL

4	3	CAPACITOR, RUNNING (15MFD/370V)	- - -	024-21060-700	024-21060-700
4	3	CAPACITOR, RUNNING (10MFD/370V)	024-20046-700	- - -	- - -
4	4	CAPACITOR, VENTOR (4MFD/370V)	024-20084-700	024-20084-700	024-20084-700
4	5	CONTROL, HIGH LIMIT	025-29041-002	025-29041-002	025-29041-002
4	6	CONTROL, FLAME ROLL-OUT	025-27792-001	025-27792-001	025-27792-001
4	7	CONTROL, FURNACE	031-00662-000	031-00662-000	031-00662-000
4	8	IGNITION (HOT SURFACE)	025-31801-000	025-31801-000	025-31801-000
4	9	SENSOR, FLAME	025-30788-700	025-30788-700	025-30788-700
4	10	SWITCH, AIR PRESSURE [1LP]	024-26000-000	024-26000-000	024-25995-000
4	11	SWITCH, AIR PRESSURE [2LP]	024-25994-000	024-25994-000	024-25994-000
4	12	SWITCH, DOOR	024-25811-000	024-25811-000	024-25811-000
4	13	TRANSFORMER	025-30889-000	025-30889-000	025-30889-000
4	14	VALVE, GAS	025-31969-000	025-31969-000	025-31969-000

AIR MOVING

4	15	CUTOFF, BLOWER	- - -	063-78006-700	063-78006-700
4	16	HOUSING, BLOWER	373-07612-000	373-06239-700	373-06239-700
4	17	WHEEL, BLOWER	026-19654-705	026-19654-706	026-19654-706

NOTES: * NOT SHOWN
MAJOR COMPONENTS AND SUGGESTED STOCKING ITEMS ARE SHOWN WITH SHADED ITEM NUMBER.

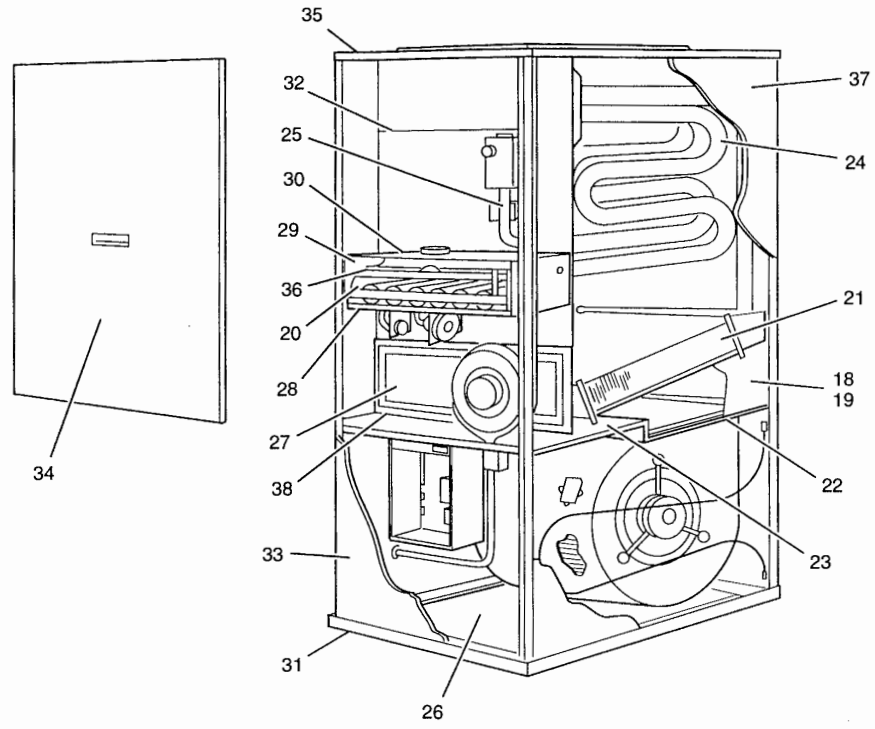


FIG. 5 - UPFLOW NATURAL GAS FURNACES (90+)

FABRICATED PARTS

FIG	ITEM	DESCRIPTION	DGU10014UA (5 BURNER)	DGU10020UA (5 BURNER)	DGU12020UA (6 BURNER)
5	18	BAFFLE, AIR (LH RECOUP. COIL)	073-12127-002	073-12127-002	073-12127-002
5	19	BAFFLE, AIR (RH RECOUP. COIL)	073-12127-001	073-12127-001	073-12127-001
5	20	BURNER, MAIN GAS	029-20482-000	029-20482-000	029-20482-000
5	21	COIL, SECONDARY HEAT EXCHANGER	373-14523-004	373-14523-004	373-14523-005
5	22	DECK, BLOWER (REAR)	073-12082-700	073-12082-700	073-12083-000
5	23	DECK, FRONT	073-17423-000	073-17423-000	073-17424-000
5	24	HEAT EXCHANGER ASS'Y (PRIMARY)	373-14524-004	373-14524-004	373-14524-005
5	25	MANIFOLD, GAS	029-21177-004	029-21177-004	029-21177-005
5	26	PAN, BASE	073-12061-703	073-12061-703	073-12061-704
5	27	PAN, CONDENSATE	028-12454-000	028-12454-000	028-12455-000
5	28	PANEL, BURNER BOX (BOTTOM)	073-14550-000	073-14550-000	073-14551-000
5	29	PANEL, BURNER BOX (FRONT) (1)	373-14526-004	373-14526-004	373-14526-005
5	30	WRAPPER, BURNER BOX	073-14545-000	073-14545-000	073-14546-000
5	31	CHANNEL, TOE PLATE	073-12062-703	073-12062-703	073-12062-704
5	32	COVER, HEAT EXCHANGER	073-12099-700	073-12099-700	073-12100-000
5	33	PANEL, FRONT (BLOWER)	073-14467-013	073-14467-013	073-14467-014
5	34	PANEL, FRONT (BURNER)	073-15601-003	073-15601-003	073-15601-004
5	35	PANEL, TOP	073-14559-000	073-14559-000	073-14560-000
5	36	SUPPORT BURNER	073-14555-000	073-14555-000	073-14556-000
5	37	WRAPPER, CABINET	373-12056-703	373-12056-703	373-12056-704
5	38	PANEL, VESTIBULE (LOWER)	073-14571-000	073-14571-000	073-14572-000

* NOT SHOWN

(1) INCLUDES OBSERVATION PORT, GROMMET AND GASKETS.

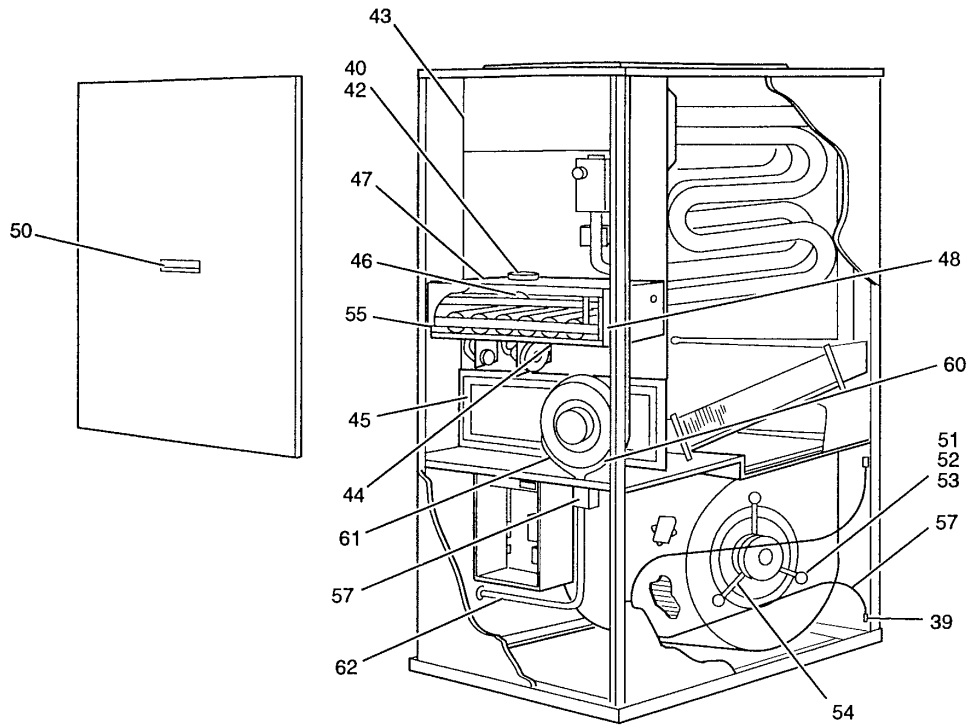


FIG. 6 - UPFLOW NATURAL GAS FURNACES (90+)

MISC.

FIG	ITEM	DESCRIPTION	DGU10014UA (5 BURNER)	DGU10020UA (5 BURNER)	DGU12020UA (6 BURNER)
6	39	CLIP, FILTER RETAINER (2-REQ'D)	021-16017-000	021-16017-000	021-16017-000
6	40	COLLAR, AIR INTAKE (BURNER BOX)	028-11289-000	028-11289-000	028-11290-000
6	41	FILTER, AIR	026-28048-001 (1 x 16 x 26)	026-28048-001 (1 x 16 x 26)	026-28048-003 (1 x 20 x 26)
6	42	GASKET, AIR INTAKE COLLAR	028-12460-001	028-12460-001	028-12460-002
6	43	GASKET, HEAT EXCHANGER COVER	028-12440-004	028-12440-004	028-12440-005
6	44	GASKET, COMBUSTION BLOWER	028-12498-000	028-12498-000	028-12498-000
6	45	GASKET, CONDENSATE PAN	028-12458-003	028-12458-003	028-12458-004
6	46	GASKET, BURNER BOX COVER	028-11647-000	028-11647-000	028-11647-000
6	47	GASKET, BURNER BOX TO VEST PANEL	028-12459-004	028-12459-004	028-12459-005
6	48	GROMMET, MANIFOLD SEAL	028-12465-000	028-12465-000	028-12465-000
*	49	GROMMET, OBSERVATION PORT	028-11284-000	028-11284-000	028-11284-000
6	50	HANDLE, DOOR	032-00140-000	032-00140-000	032-00140-000
6	51	ISOLATOR, TUBE (3-REQ'D)	028-09412-001	028-09412-001	028-09412-001
6	52	ISOLATOR, WASHER (3-REQ'D)	028-09412-002	028-09412-002	028-09412-002
6	53	ISOLATOR, SLEEVE (3-REQ'D)	028-09412-003	028-09412-003	028-09412-003
6	54	MOUNT, MOTOR	026-31480-000	026-31459-000	026-31459-000
6	55	ORIFICE, BURNER (NATURAL #43)	- - -	- - -	- - -
6	55	ORIFICE, BURNER (NATURAL #44)	029-20423-044	029-20423-044	029-20423-044
*	56	PORT, OBSERVATION (GLASS)	028-11285-000	028-11285-000	028-11285-000
6	57	RETAINER, FILTER	026-28040-000	026-28040-000	026-28040-000
6	58	TRAP, CONDENSATE	028-13241-000	028-13241-000	028-13241-000
*	59	WIRING DIAGRAM	035-13196-000	035-13196-000	035-13196-000
6	60	HOSE, INDUCER DRAIN	028-12463-002	028-12463-002	028-12463-002
6	61	HOSE, CONDENSATE PAN DRAIN	028-12462-001	028-12462-001	028-12462-001
6	62	HOSE, CONDENSATE DRAIN	028-12464-002	028-12464-002	028-12464-003

* NOT SHOWN

NOTE: "<" At side of page indicates change was made in that row.

FOR FACTORY OR FIELD INSTALLED ACCESSORIES SEE THE FOLLOWING PARTS LIST:

ACCESSORIES - NON-ELECTRICAL

DESCRIPTION	MODEL NO.
PROPANE KIT	INP0347
PROPANE KIT (DGU12020U ONLY)	INP0349
COCENTRIC INTAKE TERMINATION VENT	1CT0301
EXTERNAL SIDE FILTER RACK	1SR0302 (6 PACK)
14" EXTERNAL BOTTOM FILTER RACK	1BR0301
17-1/2" EXTERNAL BOTTOM FILTER RACK	1BR0302
21" EXTERNAL BOTTOM FILTER RACK	1BR0303
24-1/2" EXTERNAL BOTTOM FILTER RACK	1BR0304

STYLE "B" UNITS ARE THE SAME AS STYLE "A" UNITS EXCEPT FOR THE FOLLOWING PARTS:

ITEM	DESCRIPTION	DGU04008UB	DGU06010UB	DGU08012UB	DGU08016UB
7	CONTROL, FURNACE	031-01267-000	031-01267-000	031-01267-000	031-01267-000
8	IGNITION, HOT SURFACE	025-32625-000	025-32625-000	025-32625-000	025-32625-000
24	HEAT EXCHANGER ASS'Y.	373-17467-001	373-17467-002	373-17467-003	373-17467-007
27	PAN, CONDENSATE	028-13228-000	028-13229-000	028-13230-000	028-13231-000
28	PANEL, BURNER BOX, BTM	073-17449-000	073-17450-000	073-17451-000	073-17451-000
32	COVER, HEAT EXCHANGER	073-17614-000	073-17615-000	073-17616-000	073-17616-000
35	PANEL, TOP	073-17445-000	073-17446-000	073-17446-000	073-17447-000
36	SUPPORT, BURNER	073-17454-000	073-17455-000	073-17456-000	073-17456-000
59	WIRING DIAGRAM	035-14172-000	035-14172-000	035-14172-000	035-14172-000
*	CONDENSATE DRAIN PAN SENSOR	025-30850-000	025-30850-000	025-30850-000	025-30850-000

ITEM	DESCRIPTION	DGU10014UB	DGU10020UB	DGU12020UB
7	CONTROL, FURNACE	031-01267-000	031-01267-000	031-01267-000
8	IGNITION, HOT SURFACE	025-32625-000	025-32625-000	025-32625-000
24	HEAT EXCHANGER ASS'Y.	373-17467-004	373-17467-004	373-17467-005
27	PAN, CONDENSATE	028-13221-000	028-13221-000	028-13232-000
28	PANEL, BURNER BOX, BTM	073-17452-000	073-17452-000	073-17453-000
32	COVER, HEAT EXCHANGER	073-17617-000	073-17617-000	073-17618-000
35	PANEL, TOP	073-17447-000	073-17447-000	073-17448-000
36	SUPPORT, BURNER	073-17457-000	073-17457-000	073-17458-000
59	WIRING DIAGRAM	035-14172-000	035-14172-000	035-14172-000
*	CONDENSATE DRAIN PAN SENSOR	025-30850-000	025-30850-000	025-30850-000

* NOT SHOWN

NOTE: "<" At side of page indicates change was made in that row.

"GUD" UNITS ARE THE SAME AS "DGU" STYLE "B" UNITS EXCEPT FOR THE FOLLOWING

ITEM	DESCRIPTION	GUD04008UB	GUD06010UB	GUD08012UB	GUD08016UB
7	CONTROL, FURNACE	031-01266-000	031-01266-000	031-01266-000	031-01266-000
27	PAN, CONDENSATE	028-12451-000	028-12452-000	028-12453-000	028-12489-000
31	CHANNEL, TOE PLATE	073-12062-011	073-12062-012	073-12062-012	073-12062-013
33	PANEL, FRONT (BLOWER)	073-14467-021	073-14467-022	073-14467-022	073-14467-023
34	PANEL, FRONT (BURNER)	073-15601-011	073-15601-012	073-15601-012	073-15601-013
35	PANEL, TOP	073-17445-011	073-17446-011	073-17446-011	073-17447-011
37	WRAPPER, CABINET	373-12056-011	373-12056-012	373-12056-012	373-12056-013
50	HANDLE, DOOR	029-21199-000	029-21199-000	029-21199-000	029-21199-000
59	WIRING DIAGRAM	035-14107-000	035-14107-000	035-14107-000	035-14107-000

ITEM	DESCRIPTION	GUD10014UB	GUD10020UB	GUD12020UB
7	CONTROL, FURNACE	031-01266-000	031-01266-000	031-01266-000
27	PAN, CONDENSATE	028-12454-000	028-12454-000	028-12455-000
31	CHANNEL, TOE PLATE	073-12062-013	073-12062-013	073-12062-014
33	PANEL, FRONT (BLOWER)	073-14467-023	073-14467-023	073-14467-024
34	PANEL, FRONT (BURNER)	073-15601-013	073-15601-013	073-15601-014
35	PANEL, TOP	073-17447-011	073-17447-011	073-17448-011
37	WRAPPER, CABINET	373-12056-013	373-12056-013	373-12056-014
50	HANDLE, DOOR	029-21199-000	029-21199-000	029-21199-000
59	WIRING DIAGRAM	035-14107-000	035-14107-000	035-14107-000