



**EASE-F018AA THRU EASE-F024SA
HEAT PUMP - OUTDOOR UNIT**

HVAC SERVICE PARTS™

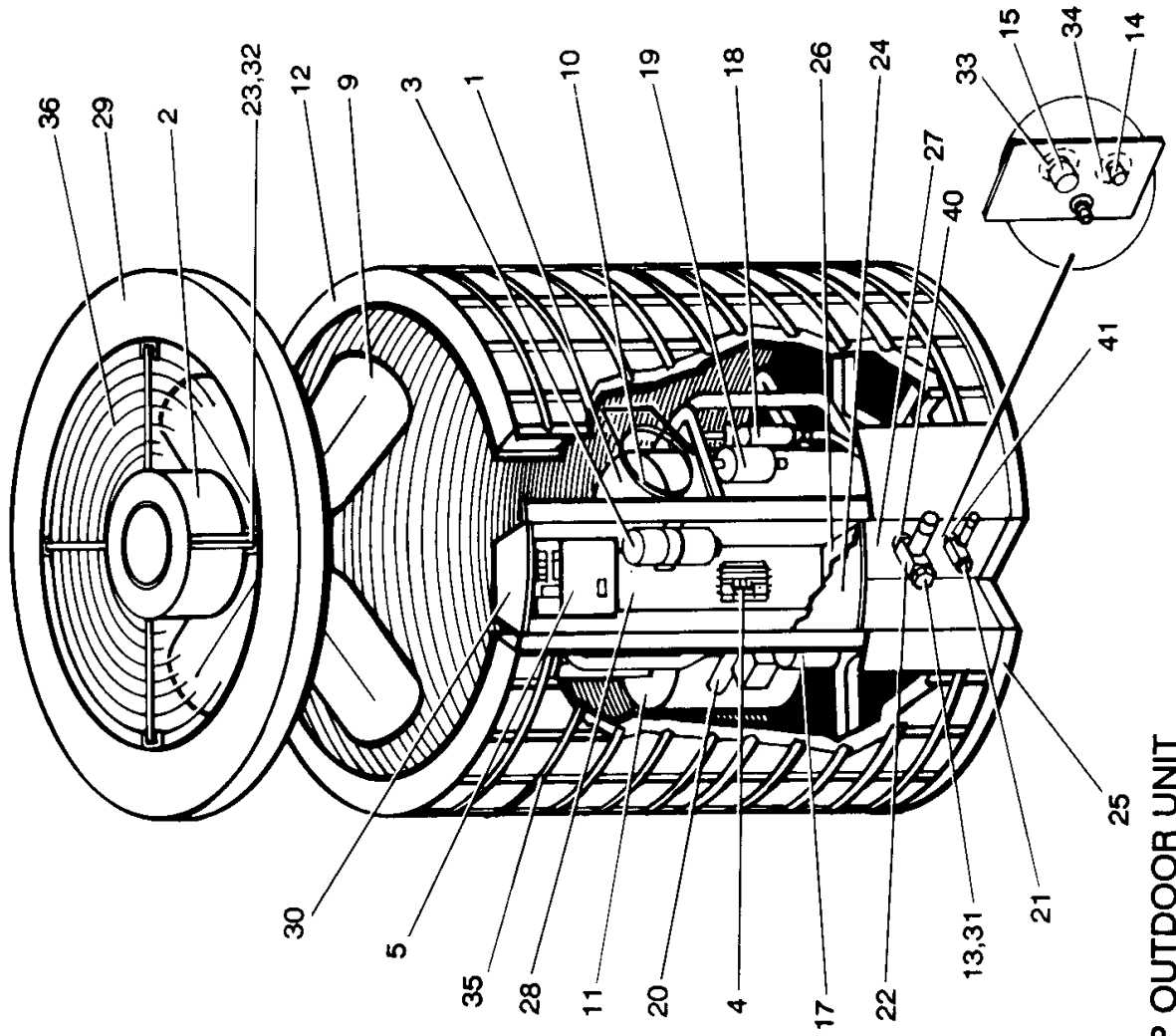


FIG. - 1 HEAT PUMP OUTDOOR UNIT

Part Number	FinalRepPartID	Code	Qty	Type	Description	Comments	VendorPartID	WT
024-31994-000		0	1	START KIT	HARD START DEVICE 2 WIRE	1 TO 3 TON SINGLE PHASE 208V TP 265V A/C REFRIGERATION & HEAT PUMP COMPRESSORS	TO-5	1
015-02375-002	015-02494-001	1	1	COMPRESSOR	HERMETIC COMPRESSOR 208/230-1-60 30.0/370		H25B17QABCA	63
024-25100-700		2	1	MOTOR	1/8 HP CONDENSER FAN MOTOR 1075/1 208/230-1-50/60 CW EOS 48 FRAME VSD 1/2 INCH SHAFT SINGLE FLAT SLEEVE BEARING	4 MFD/370V CAPACITOR REQUIRED WHEN REPLACING SINGLE PHASE MOTORS ALWAYS REPLACE THE RUN CAPACITOR	F48M21A50C	9
024-23296-700		3	1	CAPACITOR	RUN CAPACITOR 30/4 MFD 370V ROUND DUAL	2 DIAMETER X 2.12 HEIGHT [RC]	97F9836BX	1
024-24048-700	024-27531-000	4	1	CONTACTOR	ELECTRICAL CONTACTOR	[M]		1
031-01098-001	031-01098-711	5	1	CONTROL	DEFROST CONTROL		1030-100	
026-31136-000		9	1	FAN BLADE	18 INCH 4 BLADE GALVANIZED FAN PROPELLER 23° PITCH CW FACING AIR DISCHARGE 1/2 INCH BORE SET SCREW		A609317-01	3
026-29631-000	026-29631-700	10	1	TUBE	RESTRICTOR TUBE .070 X .125 X 25 FOOT	SUPPLIED IN 25 FOOT LENGTHS CUT TO REQUIRED LENGTH IN FIELD		
026-31681-001	526-31681-701	11	1	ACCUMULATOR	ACCUMULATOR		089163-00	
373-05682-000		12	1	COIL	CONDENSER COIL		37305682000	26
022-02475-000	022-02475-700	13	1	VALVE	VALVE CORE PORT	SCHRAEDER	34-063561-00	0.1
023-13058-000		14	1	FITTING	5/8 AERQUIP COUPLING SUCTION		10/11/5782	1
023-08940-000		15	1	FITTING	MALE COUPLING 3/8 INCH		6/6/5782	0.1
026-30571-000		17	1	MUFFLER	DISCHARGE MUFFLER		162039-3	1.5
029-19806-000	029-19806-700	18	1	STRAINER	STRAINER			1
022-04964-000	522-04964-700	19	1	VALVE	BALL TYPE CHECK VALVE	USE A CHECK VALVE PART NUMBER 022-04964-000 IN PLACE OF THIS ASSEMBLY & INSTALL A FIELD SUPPLIED BI-FLOW LIQUID LINE FILTER DRIER IN REMOTE LINE OUTSIDE OF UNIT		1
025-29133-000	025-31931-000	20	1	VALVE	2.5 TON REVERSING VALVE WITH 24V 50/60 HZ COIL		9893	1
025-25480-000		23	1	CHANNEL	ELECTRIC CHANNEL			1
073-05683-000		24	1	COVER	ELECTRICAL BOX COVER BROWN		7305683000	5
073-05641-000		25	1	PAN	BASE PAN		7305641000	10
073-03957-000		26	1	SHT METAL COMPONENT	BOTTOM PANEL	ELECTRIC BOX	7303957000	0.1
073-05687-000		27	1	SHT METAL COMPONENT	CONNECTOR PANEL		7305687000	1.5
073-05677-000		28	1	SHT METAL COMPONENT	ELECTRICAL BOX PANEL		7305677000	
073-05642-000		29	1	SHT METAL COMPONENT	TOP PANEL		7305642000	7
073-02787-000		30	1	SHT METAL COMPONENT	TOP PANEL	ELECTRIC	7302787000	0.1
023-10745-000		31	1	CAP	KNURLED SEAL CAP 7/1	SCHRAEDER	34-063388-00	0.1
021-17302-000		32	1	BRACKET/CLAMP/MOUNT	CHANNEL CLAMP			
073-01577-000	073-07490-001	33	1	BRACKET/CLAMP/MOUNT	MOUNTING FLANGE		7301577000	
063-73921-000		34	1	FLANGE	COUPLING MOUNTING FLANGE FOR 1/2 & 5/8 TUBING	SUCTION	6373921000	
026-31679-005	026-31679-725	35	1	GUARD	COIL GUARD			
026-31699-002	026-32197-002	36	1	GUARD	FAN GUARD			
025-17620-023	025-17620-723	6	1	CONTROL	PRESSURE CONTROL	[HP]		0.5
031-01141-000		7	1	SENSOR	TEMPERATURE SENSOR	NEW SENSOR REQUIRES HEAT CONDUCTIVE COMPOUND 013-02250-000	9RT1H598	0.1
025-29098-000	031-01231-700	8	1	SENSOR	OUTDOOR SENSOR	RED CAN USE SENSOR KIT 373-11428-700 WHICH INCLUDES SENSOR 025-30281-000001 SUNSHIELD AND SCREW FOR MOUNTING		0.05
026-25559-000		16	1	REFRIG COMPONENT	DISTRIBUTOR REFRIGERANT BODY 2 FEED INLET DIAMETER 5/8 INCH		21434	1
028-03468-000	028-03468-700	37	1	BRACKET/CLAMP/MOUNT	ACCUMULATOR ISOLATOR 1.1 HEIGHT 45 DURO	11/8 OD X 3/8	70153-1	0.1
028-10581-000		38	1	BRACKET/CLAMP/MOUNT	NEOPRENE COMPRESSOR ISOLATOR		64280	1
363-90117-000	363-90117-700	39	1	BRACKET/CLAMP/MOUNT	MOTOR MOUNT KIT	BAG=4 ACORN NUTS	36390117000	
028-12264-000		42	1	BRACKET/CLAMP/MOUNT	UNIT ISOLATOR 2.25 DIAMETER X 0.75 THICK		2812264000	0.3