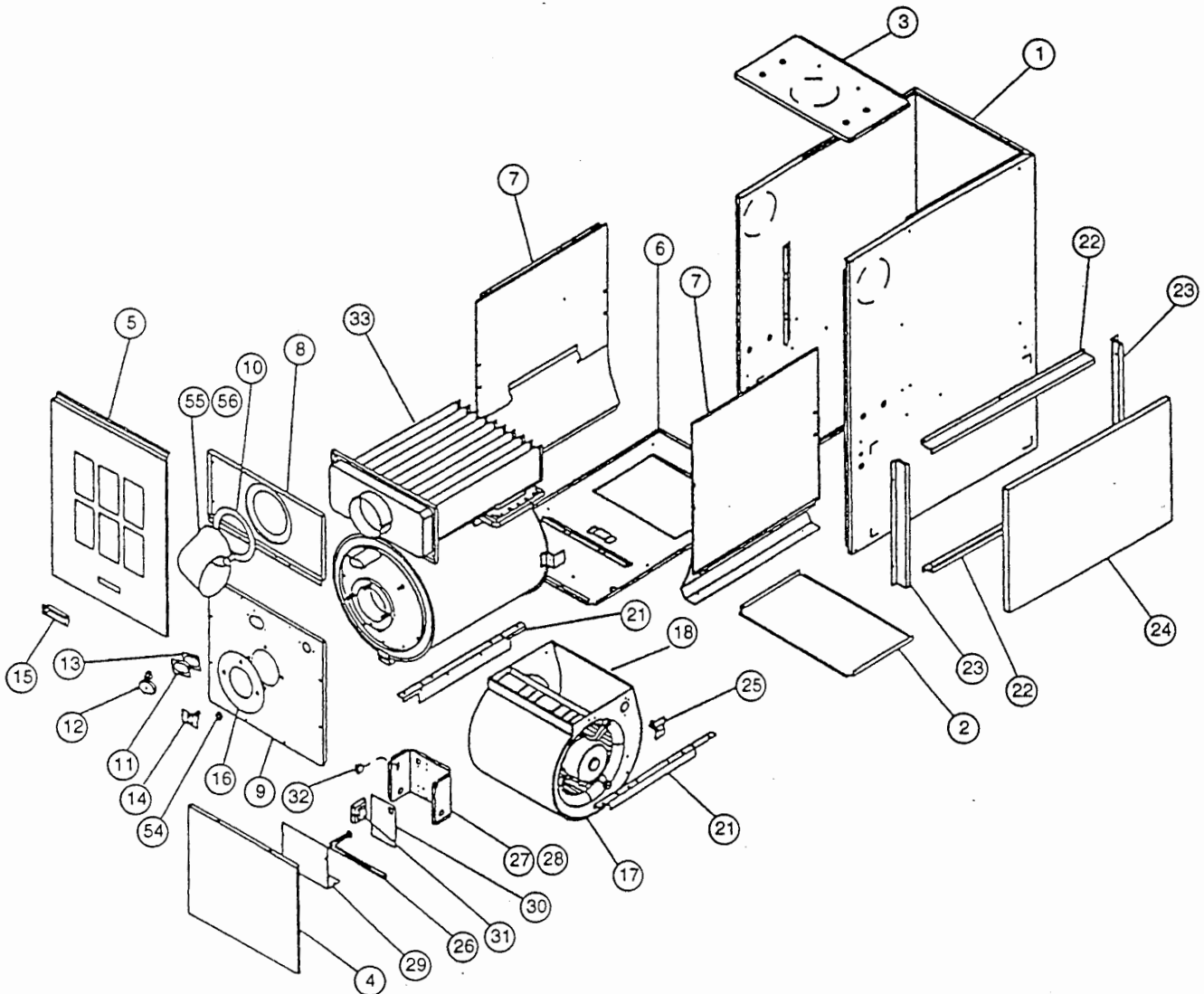


Evcon INDUSTRIES, INC.

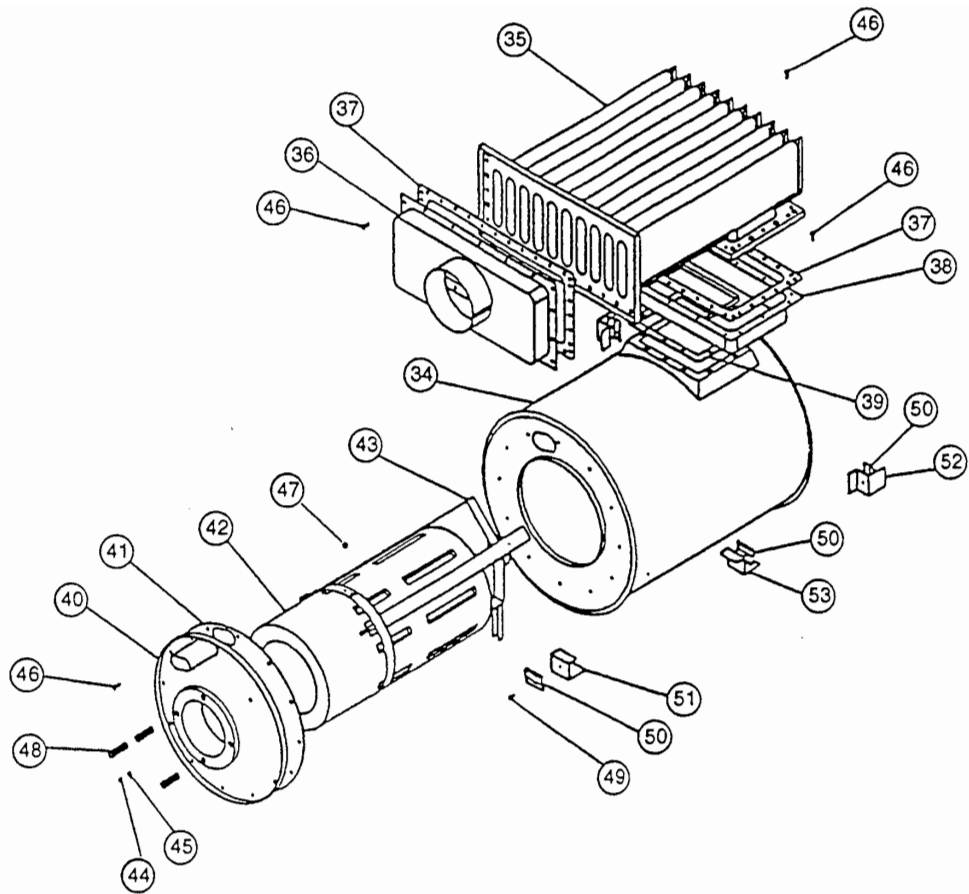
Repair Parts List BOM Series Oil Furnace Models

BOM07212D, BOM10512D, BOM12516D, BOM15420D

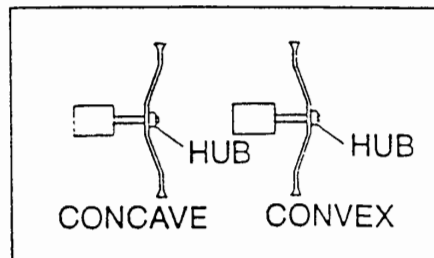
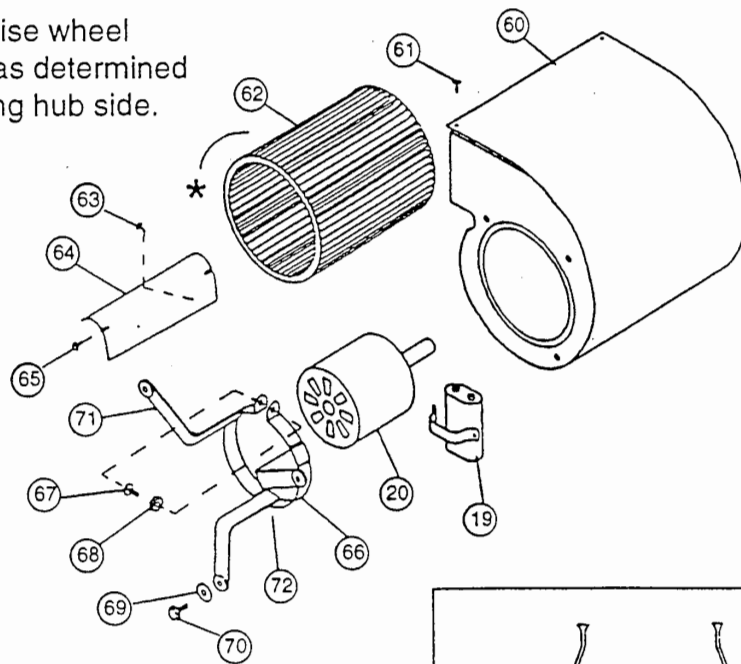


Evcon INDUSTRIES, INC.

P.O. Box 19014
Wichita, KS 67204-9014



* Clockwise wheel rotation as determined by viewing hub side.



BOM SERIES OIL FURNACE PARTS LIST

NO.	PART NAME		BOM07212D	BOM10512D	BOM12516D	BOM15420D
			PART NUMBERS			
1	Cabinet (Includes No. 2, 3, 6 & 7)	DARK BEIGE	20120001	20120001	20120101	20120201
		GRAY	20120002	20120002	20120102	20120202
2	Bottom Panel	DARK BEIGE	20120301	20120301	20120401	20120401
		GRAY	20120302	20120302	20120402	20120402
3	Top Panel	DARK BEIGE	20120501	20120501	20120601	20120601
		GRAY	20120502	20120502	20120602	20120602
4	Blower Door	DARK BEIGE	20120701	20120701	20120801	20120801
		GRAY	20120702	20120702	20120802	20120802
5	Front Door	DARK BEIGE	20120901	20120901	20121001	20121001
		GRAY	20120902	20120902	20121002	20121002
6	Partition Panel		20121301	20121301	20121302	20121303
7	Side Shield		(2)20121401	(2)20121401	(2)20121402	(2)20121402
8	Intermediate Top Panel		20121101	20121101	20121102	20121102
9	Intermediate Bottom Panel		20121201	20121201	20121202	20121202
10	Rosette Flue Outlet		B4155237	B4155237	B4155237	B4155237
11	Rosette Observation Tube		20121501	20121501	20121501	20121501
12	Observation Door		20121601	20121601	20121601	20121601
13	Gasket, Rosette Observation Tube		20121701	20121701	20121701	20121701
14	Limit Control (150) w/ Insulator		20121801	20121801	20121801	20121801
15	Door Handle		B1008866	B1008866	B1008866	B1008866
16	Burn Mounting Gasket		B2212400	B2212400	B2212400	B2212400
17	Blower Assembly w/ 1/3 HP PSC MOTOR		20122001	20122002		
17	Blower Assembly w/ 1/2 HP PSC MOTOR				20122101	
17	Blower Assembly w/ 3/4 HP PSC MOTOR					20122102
18	10 X 9 DD Blower w/ Legs & Motor Mount		20122201	20122201		
18	12 X 9 DD Blower w/ Legs & Motor Mount				20122301	
18	12 X 12 DD Blower w/ Legs & Motor Mount					20122302
19	7.5 MFD Capacitor w/ Boot & Clamp		B4300650	B4300650		
19	15.0 MFD Capacitor w/ Boot & Clamp				B4300678	B4300678
20	Motor, 1/3 HP PSC 3 Speed Direct Drive		20062401	20054901		
20	Motor, 1/2 HP PSC 3 Speed Direct Drive				20062501	
20	Motor, 3/4 HP PSC 3 Speed Direct Drive					20055001
21	Leg, Blower		(2)20125101	(2)20125101	(2)20125101	(2)20125101
22	Filter Top & Bottom Panel		(2)20122401	(2)20122401	(2)20122402	(2)20122402
23	Filter Rear & Access Panel		(2)20122501	(2)20122501	(2)20122501	(2)20122501
23	Filter Rear & Access Panel				(2)20122502	(2)20122502
24	Filter		20122601	20122601	20122602	20122602
25	Reverse Flow Limit (140) w/ Insulator		20121901	20121901	20121901	20121901
26	Wire Harness		20122701	20122701	20122701	20122701
27	Control Assembly (Includes No. 28-32)		20122801	20122801	20122801	20122801
28	Control Box		20122901	20122901	20122901	20122901
29	Cover, Control Box		20123001	20123001	20123001	20123001
30	Control, Fan Timer		20123101	20123101	20123101	20123101
31	Transformer, 40VA		20054401	20054401	20054401	20054401
32	Continuous Low Speed Fan Switch		B1810882	B1810882	B1810882	B1810882
33	Heat Exchanger (Includes No. 34 - 53)		20123201	20123202	20123203	20123204
34	Heat-X Primary Drum	(Included in Item 33. Heat Exchanger Assembly)				
35	Heat-X Secondary Tube Section	(Included in Item 33. Heat Exchanger Assembly)				

() NUMBER IN PARENTHESES IN FRONT OF PART NUMBER INDICATES QUANTITY REQUIRED.

ISSUE 9330

20085900 44

UHCA MULTI-POISE OIL FURNACE PARTS LIST

NO.	PART NAME	OUTPUT (BTU/HR)			
		55,000	85,000	100,000	125,000
		PART NUMBERS			
36	Flue Box	20123501	20123501	20123502	20123502
37	Gasket, Tube Plate	(2)20123601	(2)20123601	(2)20123602	(2)20123602
38	Box, Drum Collector	(Included in Item 33, Heat Exchanger Assembly)			
39	Gasket, Drum Outlet	(Included in Item 33, Heat Exchanger Assembly)			
40	Bottom Cover Plate	20123901	20123901	20123901	20123901
41	Gasket, Bottom Cover	20124001	20124001	20124001	20124001
42	Combustion Chamber	20124101	20124101	20124201	20124301
43	Band, Chamber Mounting	20124401	20124401	20124402	20124403
44	Brass Nut, 1/4-20	(3)B1008366	(3)B1008366	(3)B1008366	(3)B1008366
45	Washer	(3)B1009007	(3)B1009007	(3)B1009007	(3)B1009007
46	Parkerized Screw	(58)B1008464	(58)B1008464	(58)B1008464	(58)B1008464
47	Screw	B1008786	B1008786	B1008786	B1008786
48	Stud, Burner Mount	(3)20124501	(3)20124501	(3)20124501	(3)20124501
49	Screw (Heat-X Leg)	(4)B1008599	(4)B1008599	(4)B1008599	(4)B1008599
50	Leg Clamp	(4)20124601	(4)20124601	(4)20124601	(4)20124601
51	Bottom Front Leg	20124801	20124801	20124801	20124801
52	Side Leg	(2)20124701	(2)20124701	(2)20124701	(2)20124701
53	Bottom Rear Leg	20124702	20124702	20124702	20124702
54	Nut, Burner Mount	(3)B1008222	(3)B1008222	(3)B1008222	(3)B1008222
55	Elbow, Reducing Flue (6" Dia. to 5" Dia.)	20125001	20125001	20125001	
56	Elbow, Flue (6" Dia.)				20124901
57	Draft Regulator	B1814584	B1814584	B1814584	B1814584
60	Blower Housing 10 X 9	20062303	20062303		
60	Blower Housing 12 X 9 TR			20055105	
60	Blower Housing 12 X 12 TR				20055106
61	Screw, 8-18 X 3/8 Hex Washer Head	(2)B1008811	(2)B1008811	(2)B1008811	(2)B1008811
62	Blower Wheel 10 X 9 Convex 1/2" Bore	B4308616	B4308616		
62	Blower Wheel 12 X 9 Convex 1/2" Bore			B4308545	
62	Blower Wheel 12 X 12 Concave 1/2" Bore				B4308607
63	Screw, #8 X 1/2 'B' Hex Slot Washer HD	(2)B1008722	(2)B1008722	(2)B1008722	(2)B1008722
64	Cutoff 10 X 9	B4124850	B4124850		
64	Cutoff 12 X 9			B4123075	
64	Cutoff 12 X 12				B4123093
65	Screw, #8 X 3/4 'A' Hex Slot Washer HD	(2)B1008740	(2)B1008740	(2)B1008740	(2)B1008740
66	Belly Band Motor Mount 10' Blower	B4308689	B4308689		
66	Belly Band Motor Mount 12' Blower			B4308643	B4308643
67	Screw, 1/4-20 X 1 3/4 Hex Washer Head	B1033623	B1033623	B1033623	B1033623
68	Hex Nut With Washer, 1/4-20	B1015965	B1015965	B1015965	B1015965
69	Washer, 1/4 'B' Flat 1" O.D.	(3)B1033730	(3)B1033730	(3)B1033730	(3)B1033730
70	Screw, 1/4-20 X 1 1/4 Hex Head	(3)B1015956	(3)B1015956	(3)B1015956	(3)B1015956
71	Motor Mount Arm 10' Blower	(3)B0209445	(3)B0209445		
71	Motor Mount Arm 12' Blower			(3)B0209570	(3)B0209570
72	Motor Mount Band	B0209507	B0209507	B0209507	B0209507

() NUMBER IN PARENTHESES IN FRONT OF PART NUMBER INDICATES QUANTITY REQUIRED.

ISSUE 9330
20085900 44

EVCON INDUSTRIES, INC.

P.O. Box 19014
Wichita, KS 67204-9014