



www.Source1Parts.com

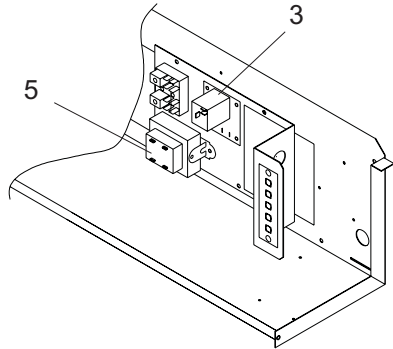
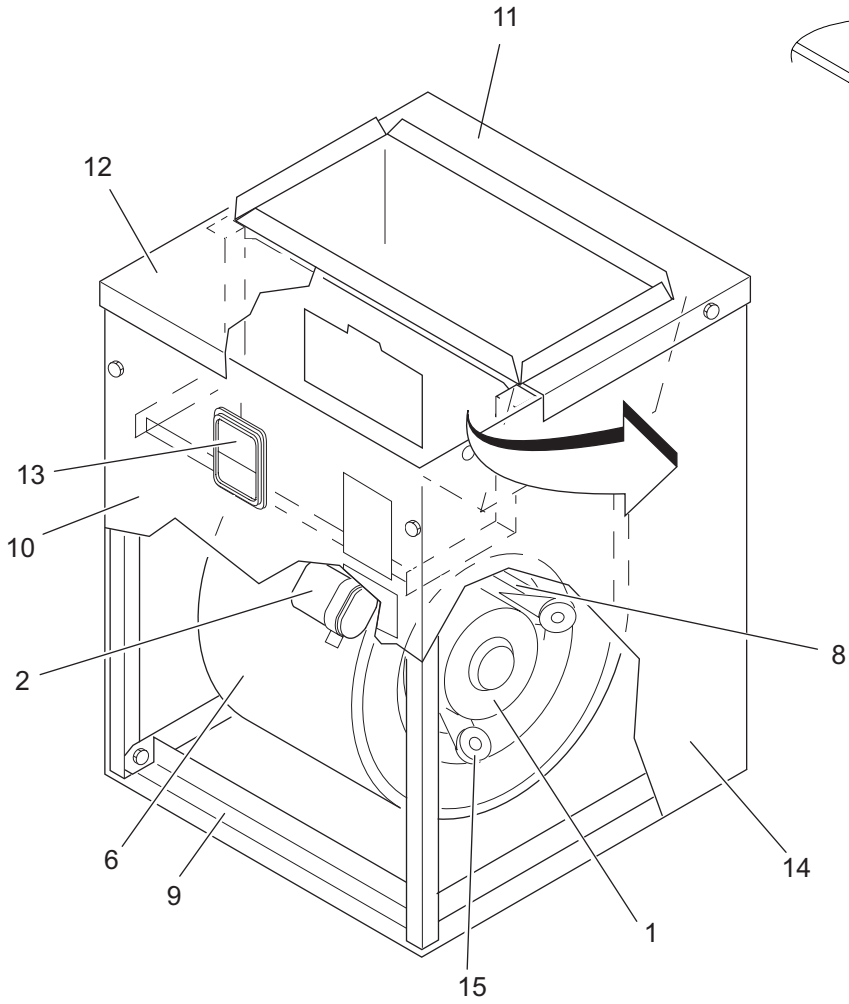
HVAC SERVICE PARTS

# N1AH SERIES AIR HANDLERS

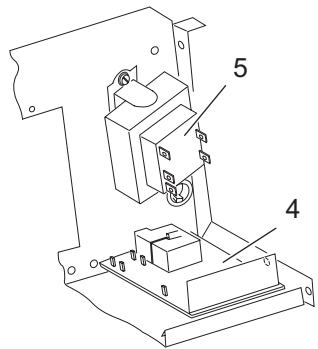
Supersedes:035-14384-000 Rev. D (0902)

035-14384-000 Rev. E (0303)

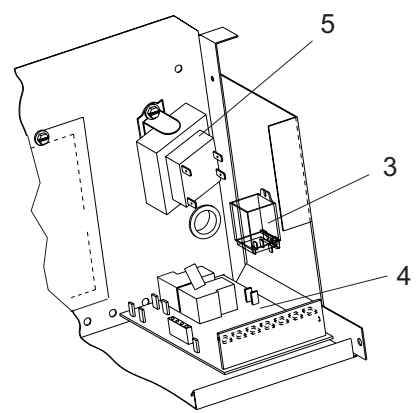
1 of 4



115 VOLT



208-240 VOLT



440 VOLT

**208-230 Volt Single Phase (60 HZ)**

ITEM	DESCRIPTION	N1AHB0806A	N1AHB1206A	N1AHD1406A	N1AHC1606A	N1AHD2006A
1	Motor, Blower	024-25982-000	024-26087-000	024-27607-000	024-26043-000	024-26044-000
2	Capacitor, Run (10 MFD) [RC]	024-20046-000	024-20046-000	024-20046-000	---	---
	Capacitor, Run (15 MFD) [RC]	---	---	---	024-25900-000	024-25900-000
3	Relay, Delay (Blower)	---	---	---	---	---
4	Control, Electric Heat	031-01264-002	031-01264-002	031-01264-002	031-01264-002	031-01264-002
5	Transformer	025-18452-000	025-18452-000	025-18452-000	025-18452-000	025-18452-000
6	Housing, Blower	373-18075-001	373-18075-002	373-18075-014	373-18075-003	373-18075-003
7*	Cut-off Plate, Blower	073-14495-000	073-14494-000	073-15745-000	073-15745-000	073-15745-000
8	Wheel, Blower	026-34004-000	026-34005-000	026-35471-000	026-34501-000	026-34501-000
9	Bracket, Front Panel	073-18025-001	073-18025-001	073-18025-005	073-18025-002	073-18025-005
10	Panel, Access (Front)	373-17902-001	373-17902-001T	373-18082-002	373-17902-002	373-18082-002
11	Panel, Top (Rear)	373-15421-006	373-15421-006	373-15421-008	373-15421-007	373-15421-008
12	Panel, Top (Front)	373-15422-006	373-15422-006	373-15422-008	373-15422-007	373-15422-008
13	Plate, Circuit Breaker	032-00161-000	032-00161-000	032-00158-000	032-00161-000	032-00158-000
14	Wrapper	373-17871-001	373-17871-001	373-17871-003	373-17871-002	373-17871-003
15	Mount, Motor (See Note 1)	---	---	026-31480-000	026-31459-000	026-31459-000
16	No Heat Assembly Kit	373-15450-001	373-15450-001	373-15450-001	373-15450-001	373-15450-001
17*	Isolator, Tube (3 Req'd)	---	---	028-09412-001	028-09412-001	028-09412-001
18*	Isolator, Washer (3 Req'd)	---	---	028-09412-002	028-09412-002	028-09412-002
19*	Isolator, Sleeve (3 Req'd)	---	---	028-14782-000	028-14782-000	028-14782-000
20*	Harness, Power	373-15424-001	373-15424-001	373-15424-001	373-15424-001	373-15424-001
21*	Harness, Low Volt Plug (Jumper)	373-15425-001	373-15425-001	373-15425-001	373-15425-001	373-15425-001

<  
<**115 Volt Single Phase (60 HZ)**

ITEM	DESCRIPTION	N1AHB1201A	N1AHC1601A	N1AHD2001A
1	Motor, Blower	024-27599-000	024-27687-000	024-27601-000
2	Capacitor, Run (10 MFD) [RC]	024-20046-000	---	---
	Capacitor, Run (15 MFD) [RC]	---	024-25900-000	024-25900-000
3	Relay, Delay (Blower)	024-25800-000	024-25800-000	024-25800-000
4	Control, Electric Heat	---	---	---
5	Transformer	025-30889-000	025-30889-000	025-30889-000
6	Housing Blower	373-18075-001	373-18075-003	373-18075-003
7*	Cut-off Plate, Blower	073-14494-000	073-15745-000	073-15745-000
8	Wheel, Blower	026-34005-000	026-34501-000	026-34501-000
9	Bracket, Front Panel	073-18025-001	073-18025-002	073-18025-005
10	Panel, Access (Front)	373-17902-001	373-17902-002	373-18082-002
11	Panel, Top (Rear)	373-15421-006	373-15421-007	373-15421-008
12	Panel, Top (Front)	373-15422-006	373-15422-007	373-15422-008
13	Plate, Circuit Breaker	032-00161-000	032-00161-000	032-00158-000
14	Wrapper	373-17871-001	373-17871-002	373-17871-003
15	Mount, Motor (See Note 1)	---	026-31459-000	026-31459-000
16	No Heat Assembly Kit	---	---	---
17*	Isolator, Tube (3 Req'd)	---	028-09412-001	028-09412-001
18*	Isolator, Washer (3 Req'd)	---	028-09412-002	028-09412-002
19*	Isolator, Sleeve (3 Req'd)	---	028-14782-000	028-14782-000
20*	Harness, Power	373-15424-001	373-15424-001	373-15424-001
21*	Harness, Low Volt Plug (Jumper)	373-15425-001	373-15425-001	373-15425-001

<  
<**NOTE:** \*Not ShownNew replacement parts shown in **bold** face type at the first printing of parts list dated 3/03.

Major components and suggested stocking items are shown with shaded item number.

"←" Across from row indicates a change in that row.

--- Not applicable to specified model.

1 Where Motor Mount is not specified, it comes with the motor

**440 Volt Three Phase(60 HZ)**

ITEM	DESCRIPTION	N1AHB1246A	N1AHC1646A	N1AHD2046A
1	Motor, Blower	024-27594-000	024-27593-000	024-27595-000
2	Capacitor, Run (10 MFD) [RC]	024-20046-000	---	---
	Capacitor, Run (15 MFD) [RC]		024-25900-000	024-25900-000
3	Relay, Delay (Blower)	024-21678-000	024-21678-000	024-21678-000
4	Control, Electric Heat	031-01264-002	031-01264-002	031-01264-002
5	Transformer	025-19242-000	025-19242-000	025-19242-000
6	Housing Blower	373-18075-002	373-18075-003	373-18075-003
7*	Cut-off Plate, Blower	073-14494-000	073-15745-000	073-15745-000
8	Wheel, Blower	026-34005-000	026-34501-000	026-34501-000
9	Bracket, Front Panel	073-18025-001	073-18025-002	073-18025-005
10	Panel, Access (Front)	373-17902-001	373-17902-002	373-18082-002
11	Panel, Top (Rear)	373-15421-006	373-15421-007	373-15421-008
12	Panel, Top (Front)	373-15422-006	373-15422-007	373-15422-008
13	Plate, Circuit Breaker	032-00161-000	032-00161-000	032-00158-000
14	Wrapper	373-17871-001	373-17871-002	373-17871-003
15	Mount, Motor (See Note 1)	---	026-31459-000	026-31459-000
16	No Heat Assembly Kit	373-18174-001	373-18174-001	373-18174-001
17*	Isolator, Tube (3 Req'd)	---	028-09412-001	028-09412-001
18*	Isolator, Washer (3 Req'd)	---	028-09412-002	028-09412-002
19*	Isolator, Sleeve (3 Req'd)	---	028-14782-000	028-14782-000
20*	Harness, Power	373-15424-001	373-15424-001	373-15424-001
21*	Harness, Low Volt Plug (Jumper)	373-15425-001	373-15425-001	373-15425-001

<  
<**220-240 Volt Single Phase (50 HZ)**

ITEM	DESCRIPTION	N1AHB1293A	N1AHC1693A	N1AHD2093A
1	Motor, Blower	024-27579-000	024-27580-000	<b>024-27581-000</b>
2	Capacitor, Run (10 MFD) [RC]	024-20046-000	---	---
	Capacitor, Run (15 MFD) [RC]		024-25900-000	024-25900-000
3	Relay, Delay (Blower)	---	---	---
4	Control, Electric Heat	031-01264-002	031-01264-002	031-01264-002
5	Transformer	025-18452-000	025-18452-000	025-18452-000
6	Housing Blower	373-18075-002	373-18075-003	373-18075-003
7*	Cut-off Plate, Blower	073-14494-000	073-15745-000	073-15745-000
8	Wheel, Blower	026-34005-000	026-34501-000	026-34501-000
9	Bracket, Front Panel	073-18025-001	073-18025-002	073-18025-005
10	Panel, Access (Front)	373-17902-001	373-17902-002	373-18082-002
11	Panel, Top (Rear)	373-15421-006	373-15421-007	373-15421-008
12	Panel, Top (Front)	373-15422-006	373-15422-007	373-15422-008
13	Plate, Circuit Breaker	032-00161-000	032-00161-000	032-00158-000
14	Wrapper	373-17871-001	373-17871-002	373-17871-003
15	Mount, Motor (See Note 1)	---	026-31459-000	026-31459-000
16	No Heat Assembly Kit	---	---	---
17*	Isolator, Tube (3 Req'd)	---	028-09412-001	028-09412-001
18*	Isolator, Washer (3 Req'd)	---	028-09412-002	028-09412-002
19*	Isolator, Sleeve (3 Req'd)	---	028-14782-000	028-14782-000
20*	Harness, Power	373-15424-001	373-15424-001	373-15424-001
21*	Harness, Low Volt Plug (Jumper)	373-15425-001	373-15425-001	373-15425-001

<  
<**NOTE:** \*Not ShownNew replacement parts shown in **bold** face type at the first printing of parts list dated 3/03.

Major components and suggested stocking items are shown with shaded item number.

"←" Across from row indicates a change in that row.

--- Not applicable to specified model.

1 Where Motor Mount is not specified, it comes with the motor

**TO ORDER AUTHORIZED FACTORY REPLACEMENT PARTS** - Contact your Source1 HVAC Parts Distributor or visit our website at [www.Source1Parts.com](http://www.Source1Parts.com) for a Distributor and Dealer listing.

Subject to change without notice. Printed in U.S.A.  
Copyright © by York International Corp. 2003. All rights reserved.

035-14384-000 Rev. E (0303)  
Supersedes: 035-14384-000 Rev. D (0902)

---

**Unitary  
Products  
Group**

**5005  
York  
Drive**

**Norman  
OK  
73069**