

REPLACEMENT PARTS

P+PVI MULTI-POISE OIL FURNACES

Supersedes: 660.06-RP4V (597)

e

660.06-RP4V (797)

1 of 8

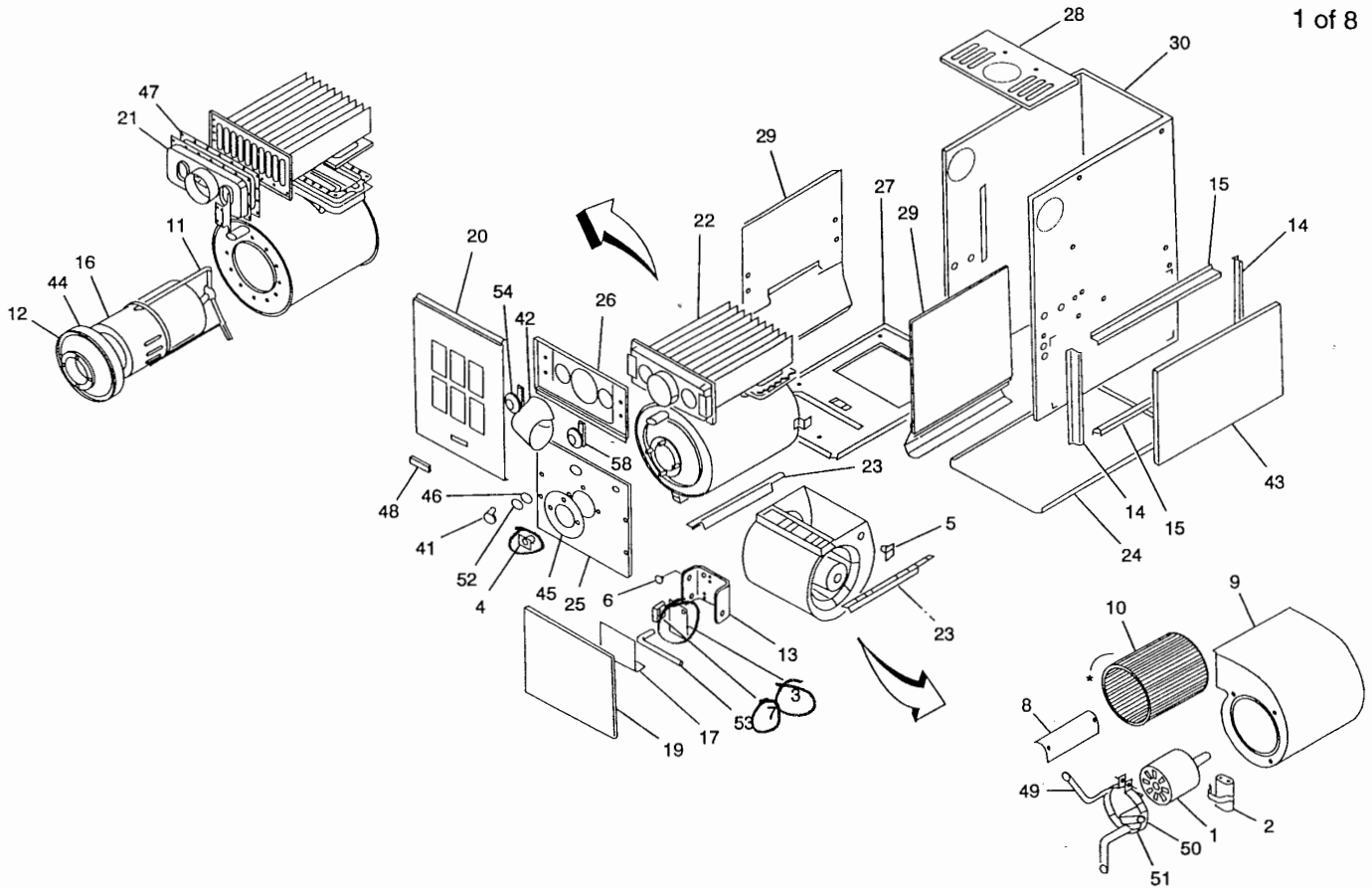


FIG. 1 - MULTI-POISE OIL FURNACES

SECTION	FIG	ITEM	DESCRIPTION	P+FMD12F05501A	P+FMD12F08501A	P+FMD16F08501A	P+FMD16F10001A
MOTORS	1	1	MOTOR, BLOWER (DIRECT DRIVE)	026-32131-000	026-32132-000	026-32133-000	026-32133-000
ELECTRICAL	1	2	CAPACITOR, RUN (7.5MFD/370V)	024-20045-700	024-20045-700	024-20045-700	- - -
	1	2	CAPACITOR, RUN (15MFD/370V)	- - -	- - -	- - -	024-20446-700
	1	3	CONTROL, FAN TIMER	026-33046-700	026-33046-700	026-33046-700	026-33046-700
BOTH	1	4	CONTROL, LIMIT	026-34766-000	026-33033-700	026-33033-700	026-34767-000
	1	5	LIMIT, REVERSE FLOW	026-33042-700	026-33042-700	026-33042-700	026-33042-700
	1	6	SWITCH, FAN	026-33047-700	026-33047-700	026-33047-700	026-33047-700
	1	7	TRANSFORMER, 40VA	026-32253-000	026-32253-000	026-32253-000	026-32253-000
AIR MOVING	1	8	CUT-OFF, BLOWER	026-32153-000	026-32153-000	026-23271-000	026-23271-000
	1	9	HOUSING, BLOWER	026-33066-700	026-33066-700	026-33067-700	026-33067-700
	1	10	WHEEL, BLOWER	026-32152-000	026-32152-000	026-23268-000	026-23268-000
FABRICATED PARTS	1	11	BAND, CHAMBER MOUNTING	026-34772-000	026-34772-000	026-34772-000	026-34773-000
	1	12	PLATE, BOTTOM COVER	026-34785-000	026-34785-000	026-34785-000	026-34785-000
	1	13	BOX, CONTROL	026-33044-700	026-33044-700	026-33044-700	026-33044-700
	1	14	BRACKET, FILTER (FRONT & REAR) (1)	026-33038-700	026-33038-700	026-33038-700	026-33038-700
	1	14	BKT, FILTER (FRONT & REAR-LONGER) (1)	026-33039-700	026-33039-700	026-33039-700	026-33039-700
	1	15	BRACKET, FILTER (TOP & BOTTOM)	026-33036-700	026-33036-700	026-33036-700	026-33037-700
	1	16	CHAMBER, COMBUSTION	026-34782-000	026-34782-000	026-34782-000	026-34783-000
	1	17	COVER, CONTROL BOX	026-33045-700	026-33045-700	026-33045-700	026-33045-700
	*	18	DAMPER	026-28458-000	026-28458-000	026-28458-000	026-28458-000
	1	19	DOOR, BLOWER	026-33014-700	026-33014-700	026-33014-700	026-33014-700
	1	20	DOOR, FRONT	026-33018-700	026-33018-700	026-33018-700	026-33018-700

NOTES: (1) Quan. - 2 REQ'D.

* Not Shown

New replacement parts shown in **bold face** type at the first printing of Parts List code dated 7/97.

Major components and suggested stocking items are shown with shaded item number.

* At side of page indicates change was made in that row.

* Across from model number indicates entire publication is new.

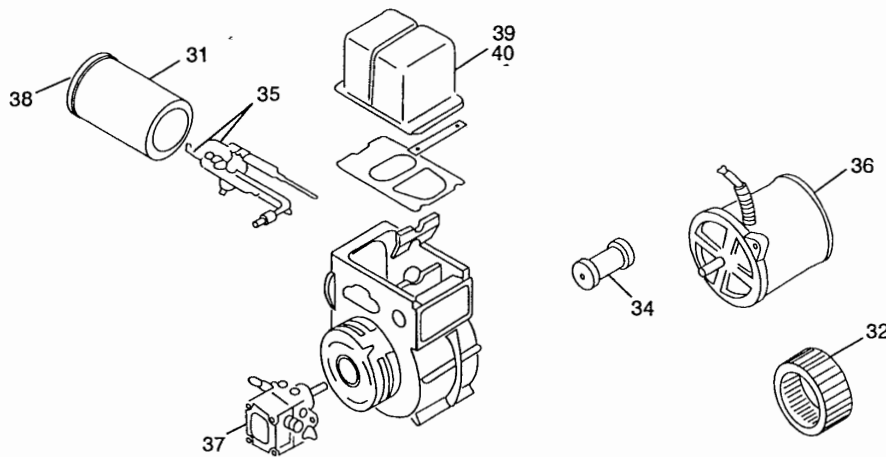


FIG. 2 – BURNER PARTS

SECTION	FIG	ITEM	DESCRIPTION	P+FMD12F05501A	P+FMD12F08501A	P+FMD16F08501A	P+FMD16F10001A
FABRICATED							
PARTS	1	21	BOX, FLUE	026-34769-000	026-34769-000	026-34769-000	026-34770-000
	1	22	EXCHANGER, HEAT	026-34778-000	026-34779-000	026-34779-000	026-34780-000
	1	23	LEG, BLOWER	026-33035-700	026-33035-700	026-33035-700	026-33035-700
	1	24	PANEL, BOTTOM	026-34776-000	026-34776-000	026-34776-000	026-33006-700
	1	25	PANEL, INTERMEDIATE BOTTOM	026-34777-000	026-34777-000	026-34777-000	026-34777-000
	1	26	PANEL, INTERMEDIATE TOP	026-34761-000	026-34761-000	026-34761-000	026-34761-000
	1	27	PANEL, PARTITION	026-34762-000	026-34762-000	026-34762-000	026-34763-000
	1	28	PANEL, TOP	026-33010-700	026-33010-700	026-33010-700	026-33010-700
	1	29	SHIELD, SIDE	026-34765-000	026-34765-000	026-34765-000	026-33025-700
	1	30	WRAPPER	026-34775-000	026-34775-000	026-34775-000	026-33002-700
BURNER							
PARTS	2	31	AIR TUBE	026-33077-700	026-33077-700	026-33077-700	026-33077-700
	2	32	WHEEL, BLOWER	026-33071-700	026-33071-700	026-33071-700	026-33071-700
	*	33	BURNER COMPLETE (AFG DU 201)	026-33080-700	026-33080-700	026-33080-700	026-33080-700
	2	34	COUPLING	026-33072-700	026-33072-700	026-33072-700	026-33072-700
	2	35	KIT, ELECTRODE	026-33069-700	026-33069-700	026-33069-700	026-33069-700
	2	36	MOTOR	026-33073-700	026-33073-700	026-33073-700	026-33073-700
	2	37	PUMP	026-33074-700	026-33074-700	026-33074-700	026-33074-700
	2	38	HEAD, RETENTION (F3)	026-33075-700	026-33075-700	026-33075-700	026-33075-700
	2	39	TRANSFORMER ONLY	026-33070-700	026-33070-700	026-33070-700	026-33070-700
	2	40	TRANSFORMER & PRIMARY CONTROL	026-33079-700	026-33079-700	026-33079-700	026-33079-700
MISC.							
	1	41	DOOR, OBSERVATION	026-33031-700	026-33031-700	026-33031-700	026-33031-700
	1	42	ELBOW, FLUE	026-33065-700	026-33065-700	026-33065-700	026-33065-700
	1	43	FILTER	026-34768-000	026-34768-000	026-34768-000	026-33041-700
	1	44	GASKET, BOTTOM COVER	026-34771-000	026-34771-000	026-34771-000	026-34771-000
	1	45	GASKET, BURNER MOUNTING	026-33034-700	026-33034-700	026-33034-700	026-33034-700
	1	46	GASKET, ROSETTE OBSERVATION TUBE	026-33032-700	026-33032-700	026-33032-700	026-33032-700
	1	47	GASKET, TUBE PLATE	026-33054-700	026-33054-700	026-33054-700	026-33055-700
	1	48	HANDLE, DOOR	026-32583-000	026-32583-000	026-32583-000	026-32583-700
	1	49	MOUNT, MOTOR (ARM) (3-REQ'D)	026-29277-000	026-29277-000	026-29278-000	026-29278-000
	1	50	MOUNT, MOTOR (BAND)	026-26588-000	026-26588-000	026-26588-000	026-26588-000
	1	51	MOUNT, MOTOR (ASS'Y)	024-20642-000	024-20642-000	026-30422-000	026-30422-000
	1	52	TUBE, ROSETTE OBSERVATION	026-33030-700	026-33030-700	026-33030-700	026-33030-700
	1	53	HARNES, WIRE	026-33043-700	026-33043-700	026-33043-700	026-33043-700
	1	54	COVER, CLEANOUT PORT	026-35440-000	026-35440-000	026-35440-000	026-35440-000

NOTES: * Not Shown
 New replacement parts shown in **bold face** type at the first printing of Parts List code dated 7/97.
 * At side of page indicates change was made in that row.
 * Across from model number indicates entire publication is new.

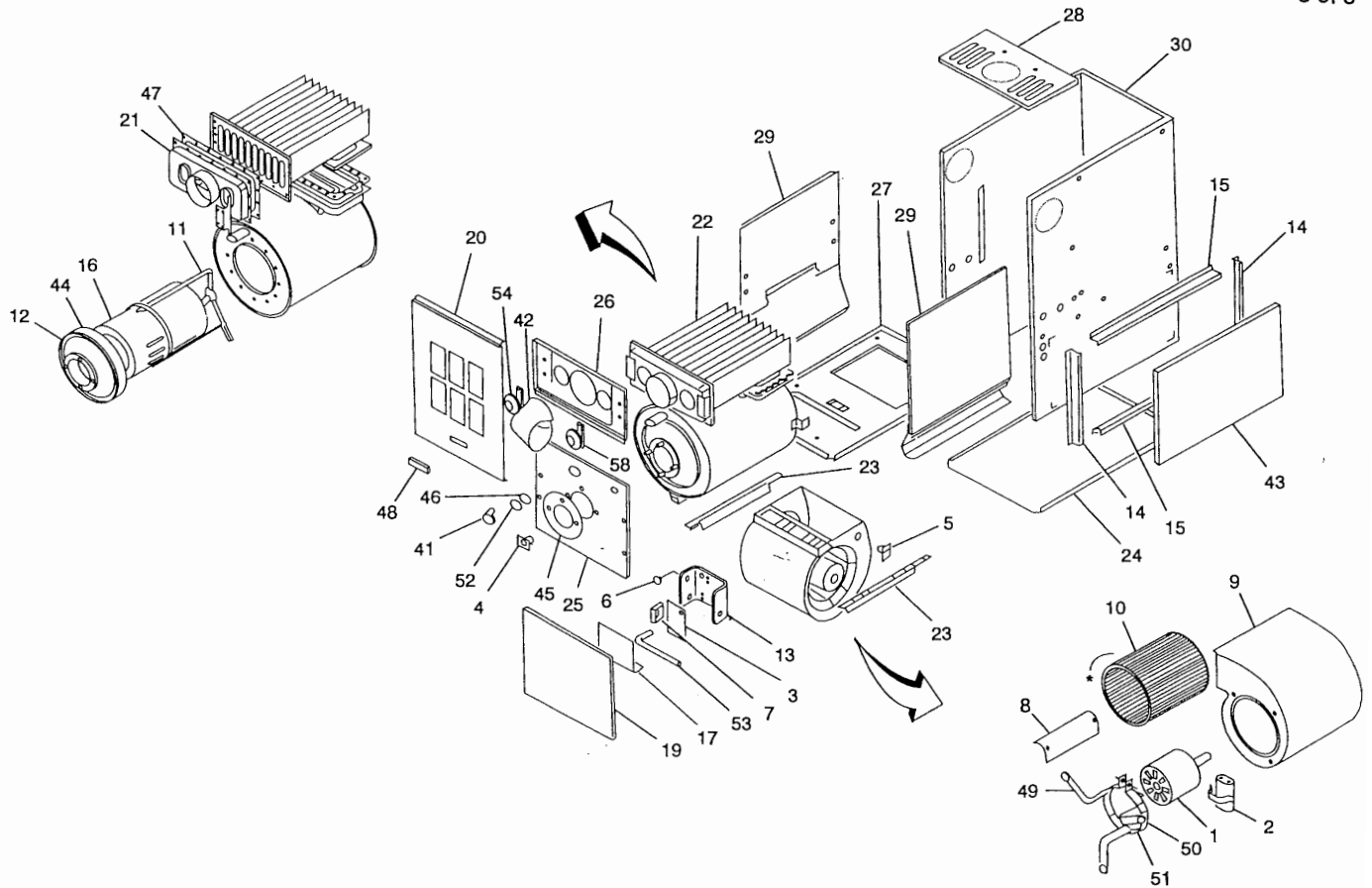


FIG. 1 – MULTI-POISE OIL FURNACES

SECTION	FIG	ITEM	DESCRIPTION	P+FMD20F10001A	P+FMD20F12501A
MOTORS					
	1	1	MOTOR, BLOWER (DIRECT DRIVE)	026-32259-000	026-32259-000
ELECTRICAL					
	1	2	CAPACITOR, RUN (15MFD/370V)	024-20446-700	024-20446-700
	1	3	CONTROL, FAN TIMER	026-33046-700	026-33046-700
	1	4	CONTROL, LIMIT	026-34766-000	026-33033-700
	1	5	LIMIT, REVERSE FLOW	026-33042-700	026-33042-700
	1	6	SWITCH, FAN	026-33047-700	026-33047-700
	1	7	TRANSFORMER, 40VA	026-32253-000	026-32253-000
AIR MOVING					
	1	8	CUT-OFF, BLOWER	026-30303-000	026-30303-000
	1	9	HOUSING, BLOWER	026-33068-000	026-33068-000
	1	10	WHEEL, BLOWER	026-29598-000	026-29598-000
FABRICATED PARTS					
	1	11	BAND, CHAMBER MOUNTING	026-34773-000	026-34774-000
	1	12	PLATE, BOTTOM COVER	026-34785-000	026-34785-000
	1	13	BOX, CONTROL	026-33044-700	026-33044-700
	1	14	BKT, FILTER (FRONT & REAR-LONGER) (1)	026-33038-700	026-33038-700
	1	14	BKT, FILTER (FRONT & REAR) (1)	026-33039-700	026-33039-700
	1	15	BRACKET, FILTER (TOP & BOTTOM) (1)	026-33037-700	026-33037-700
	1	16	CHAMBER, COMBUSTION	026-34783-000	026-34784-000
	1	17	COVER, CONTROL BOX	026-33045-700	026-33045-700
	*	18	DAMPER	026-28458-000	026-28458-000
	1	19	DOOR, BLOWER	026-33014-700	026-33014-700
	1	20	DOOR, FRONT	026-33018-700	026-33018-700

NOTES: (1) Quan. – 2 REQ'D.

* Not Shown

New replacement parts shown in **bold face** type at the first printing of Parts List code dated 7/97.

Major components and suggested stocking items are shown with shaded item number.

"<" At side of page indicates change was made in that row.

"<" Across from model number indicates entire publication is new.

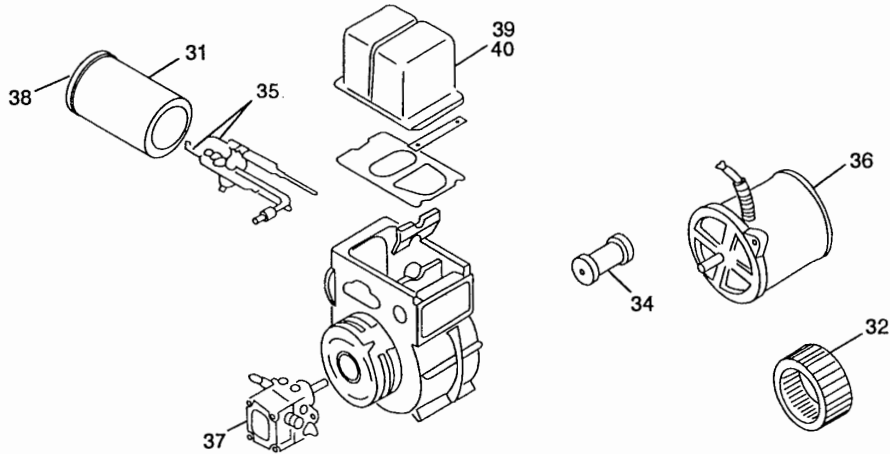


FIG. 2 – BURNER PARTS

SECTION	FIG	ITEM	DESCRIPTION	P+FMD20F10001A	P+FMD20F12501A
FABRICATED					
PARTS	1	21	BOX, FLUE	026-34770-000	026-34770-000
	1	22	EXCHANGER, HEAT	026-34780-000	026-34781-000
	1	23	LEG, BLOWER	026-33035-700	026-33035-700
	1	24	PANEL, BOTTOM	026-33006-700	026-33006-700
	1	25	PANEL, INTERMEDIATE (BOTTOM)	026-34777-000	026-34777-000
	1	26	PANEL, INTERMEDIATE (TOP)	026-34761-000	026-34761-000
	1	27	PANEL, PARTITION	026-34764-000	026-34764-000
	1	28	PANEL, TOP	026-33010-700	026-33010-700
	1	29	SHIELD, SIDE	026-33025-700	026-33025-700
	1	30	WRAPPER	026-34760-000	026-34760-000
BURNER					
PARTS	2	31	AIR TUBE	026-33077-700	026-33078-700
	2	32	WHEEL, BLOWER	026-33071-700	026-33071-700
	*	33	BURNER, COMPLETE (AFG DU 201, 202)	026-33080-700	026-33081-700
	2	34	COUPLING	026-33072-700	026-33072-700
	2	35	KIT, ELECTRODE	026-33069-700	026-33069-700
	2	36	MOTOR	026-33073-700	026-33073-700
	2	37	PUMP	026-33311-700	026-33311-700
	2	38	HEAD, RETENTION (F3, F6)	026-33075-700	026-33076-700
	2	39	TRANSFORMER ONLY	026-33070-700	026-33070-700
	2	40	TRANSFORMER & PRIMARY CONTROL	026-33079-700	026-33079-700
MISC.					
	1	41	DOOR, OBSERVATION	026-33031-700	026-33031-700
	1	42	ELBOW, FLUE	026-33065-700	026-33065-700
	1	43	FILTER	026-33041-700	026-33041-700
	1	44	GASKET, BOTTOM COVER	026-34771-000	026-34771-000
	1	45	GASKET, BURNER MOUNTING	026-33034-700	026-33034-700
	1	46	GASKET, ROSETTE OBSERVATION TUBE	026-33032-700	026-33032-700
	1	47	GASKET, TUBE PLATE	026-33055-700	026-33055-700
	1	48	HANDLE, DOOR	026-32583-700	026-32583-700
	1	49	MOUNT, MOTOR (ARM) (3-REQ'D)	026-29278-000	026-29278-000
	1	50	MOUNT, MOTOR (BAND)	026-26588-000	026-26588-000
	1	51	MOUNT, MOTOR (ASS'Y)	026-30422-000	026-30422-000
	1	52	TUBE, ROSETTE OBSERVATION	026-33030-700	026-33030-700
	1	53	HARNESS, WIRE	026-33043-700	026-33043-700

NOTES: * Not Shown

New replacement parts shown in **bold face** type at the first printing of Parts List code dated 7/97.

* < At side of page indicates change was made in that row.

* < Across from model number indicates entire publication is new.

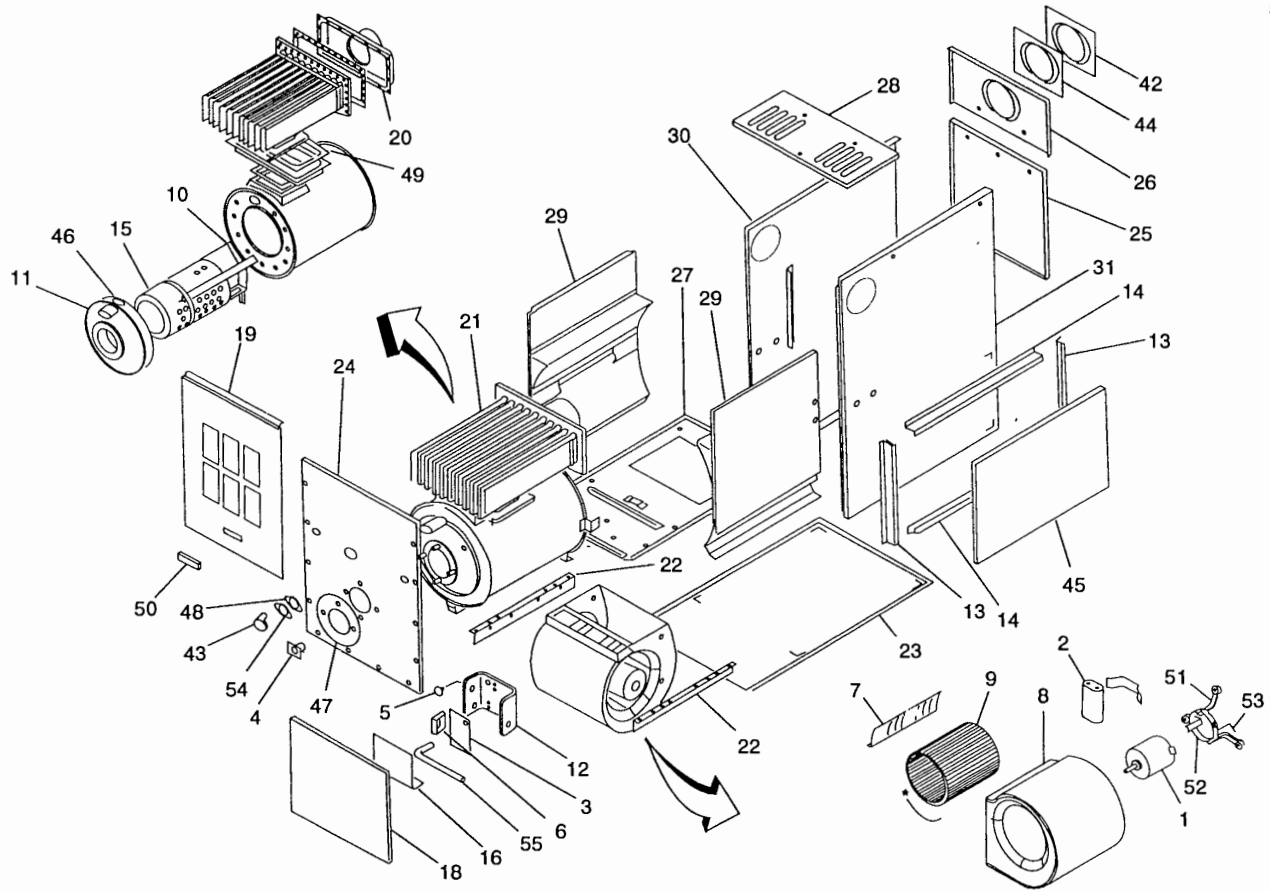


FIG. 3 – MULTI-POISE OIL FURNACES

SECTION	FIG	ITEM	DESCRIPTION	P+FMD20F17001A
MOTORS				
	3	1	MOTOR, BLOWER (DIRECT DRIVE)	026-32259-000
ELECTRICAL				
	3	2	CAPACITOR, RUN (15MFD/370V)	024-20446-700
	3	3	CONTROL, FAN TIMER	026-33046-700
	3	4	CONTROL, LIMIT	026-33033-700
	3	5	SWITCH, FAN	026-33047-700
	3	6	TRANSFORMER, 40VA	026-32253-000
AIR MOVING				
	3	7	CUT-OFF, BLOWER	026-30303-000
	3	8	HOUSING, BLOWER	026-30302-000
	3	9	WHEEL, BLOWER	026-29598-000
FABRICATED PARTS				
	3	10	BAND, CHAMBER MOUNTING	026-33308-700
	3	11	PLATE, BOTTOM COVER	026-33305-700
	3	12	BOX, CONTROL	026-33044-700
	3	13	BKT, FILTER (FRONT & REAR-LONGER) (1)	026-33297-700
	3	13	BKT, FILTER (FRONT & REAR) (1)	026-33039-700
	3	14	BRACKET, FILTER (TOP & BOTTOM) (1)	026-33296-700
	3	15	CHAMBER, COMBUSTION	026-34788-000
	3	16	COVER, CONTROL BOX	026-33045-700
	*	17	DAMPER	026-28458-000
	3	18	DOOR, BLOWER	026-33288-700
	3	19	DOOR, FRONT	026-33289-700

NOTES: (1) Quan. – 2 REQ'D.
 Not Shown
 New replacement parts shown in **bold face** type at the first printing of Parts List code dated 7/97.
 Major components and suggested stocking items are shown with shaded item number.
 * At side of page indicates change was made in that row.
 ^ Across from model number indicates entire publication is new.

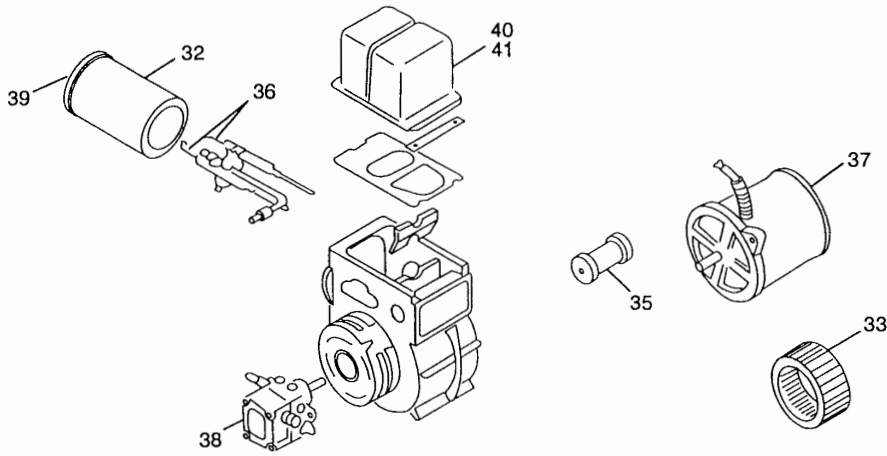


FIG. 2 – BURNER PARTS

SECTION	FIG	ITEM	DESCRIPTION	P+FMD20F17001A
FABRICATED				
PARTS	1	20	BOX, FLUE	026-33303-700
	1	21	EXCHANGER, HEAT	026-34787-000
	1	22	LEG, BLOWER	026-33293-700
	1	23	PANEL, BOTTOM	026-33287-700
	1	24	PANEL, INTERMEDIATE	026-33292-700
	1	25	PANEL, BACK (BOTTOM)	026-33286-700
	1	26	PANEL, BACK (TOP)	026-33282-700
	1	27	PANEL, PARTITION	026-33291-700
	1	28	PANEL, TOP	026-33281-700
	1	29	SHIELD, SIDE	026-33290-700
	1	30	PANEL, LEFT SIDE	026-33280-700
	1	31	PANEL, RIGHT SIDE	026-33285-700
BURNER				
PARTS	2	32	AIR TUBE & ELECTRODE (ASS'Y)	026-33312-700
	2	33	WHEEL, BLOWER	026-33371-700
	*	34	BURNER, COMPLETE (AFG DU 203)	026-33310-700
	2	35	COUPLING	026-33072-700
	2	36	KIT, ELECTRODE	026-33069-700
	2	37	MOTOR	026-33073-700
	2	38	PUMP	026-33311-700
	2	39	HEAD, RETENTION (F12)	026-33313-700
	2	40	TRANSFORMER ONLY	026-33070-700
	2	41	TRANSFORMER & PRIMARY CONTROL	026-33079-700
MISC.				
	1	42	ROSETTE, FLUE OUTLET	026-33284-700
	1	43	DOOR, OBSERVATION	026-33031-700
	1	44	GASKET, ROSETTE FLUE OUTLET	026-33295-700
	1	45	FILTER	026-33298-700
	1	46	GASKET, BOTTOM COVER	026-33306-700
	1	47	GASKET, BURNER MOUNTING	026-33034-700
	1	48	GASKET, ROSETTE OBSERVATION TUBE	026-33032-700
	1	49	GASKET, TUBE PLATE	026-33304-700
	1	50	HANDLE, DOOR	026-32583-700
	1	51	MOUNT, MOTOR (ARM) (3-REQ'D)	026-29278-000
	1	52	MOUNT, MOTOR (BAND)	026-26588-000
	1	53	MOUNT, MOTOR (ASS'Y)	026-30422-000
	1	54	TUBE, ROSETTE OBSERVATION	026-33030-700
	1	55	HARNES, WIRE	026-33299-700

NOTES: * Not Shown
 New replacement parts shown in **bold face** type at the first printing of Parts List code dated 7/97.
 *-> At side of page indicates change was made in that row.
 *<- Across from model number indicates entire publication is new.

NOTES

NOTES