

ACCESSORY KIT INSTALLATION MANUAL

FLOOR BASE ACCESSORY - 1CB0514, 1CB0517, 1CB0521, 1CB0524

FOR USE WITH MODELS:

GENERAL INFORMATION

The floor base is necessary when installing a downflow furnace directly on the floor.

The base is shipped in a single piece ready to install.

This accessory floor base provides the required supply duct clearances and allows combustion air into the furnace for proper furnace operation.

INSTALLATION

Refer to Figure 1 and install base as follows:

1. Cut floor opening per cross section drawings and dimension table.
2. Fabricate a warm-air plenum as shown.
3. Position the floor base over the opening in the floor.
4. Install the warm air plenum through the floor base accessory.
5. Place the furnace on the base accessory inside the corner angle.

TABLE 1: Floor Base Dimensions

MODEL	DIMENSIONS / INCHES		
	A	B	C
1CB0514	14 1/2	12 1/8	13 1/4
1CB0517	17 1/2	15 1/8	16 1/4
1CB0521	21	18 5/8	19 3/4
1CB0524	24 1/2	22 1/4	23 1/4

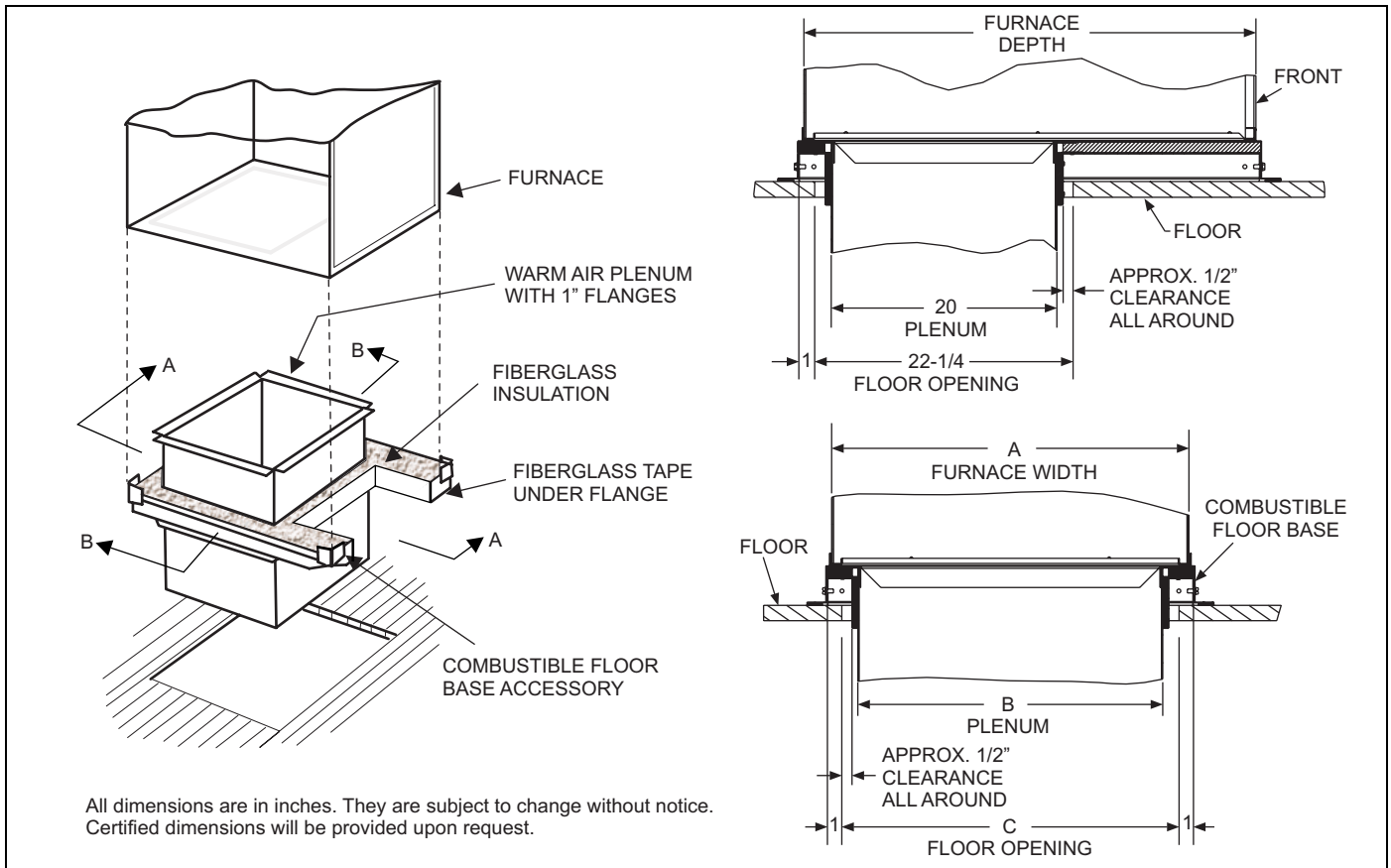


FIGURE 1: Combustible Floor Base Accessory