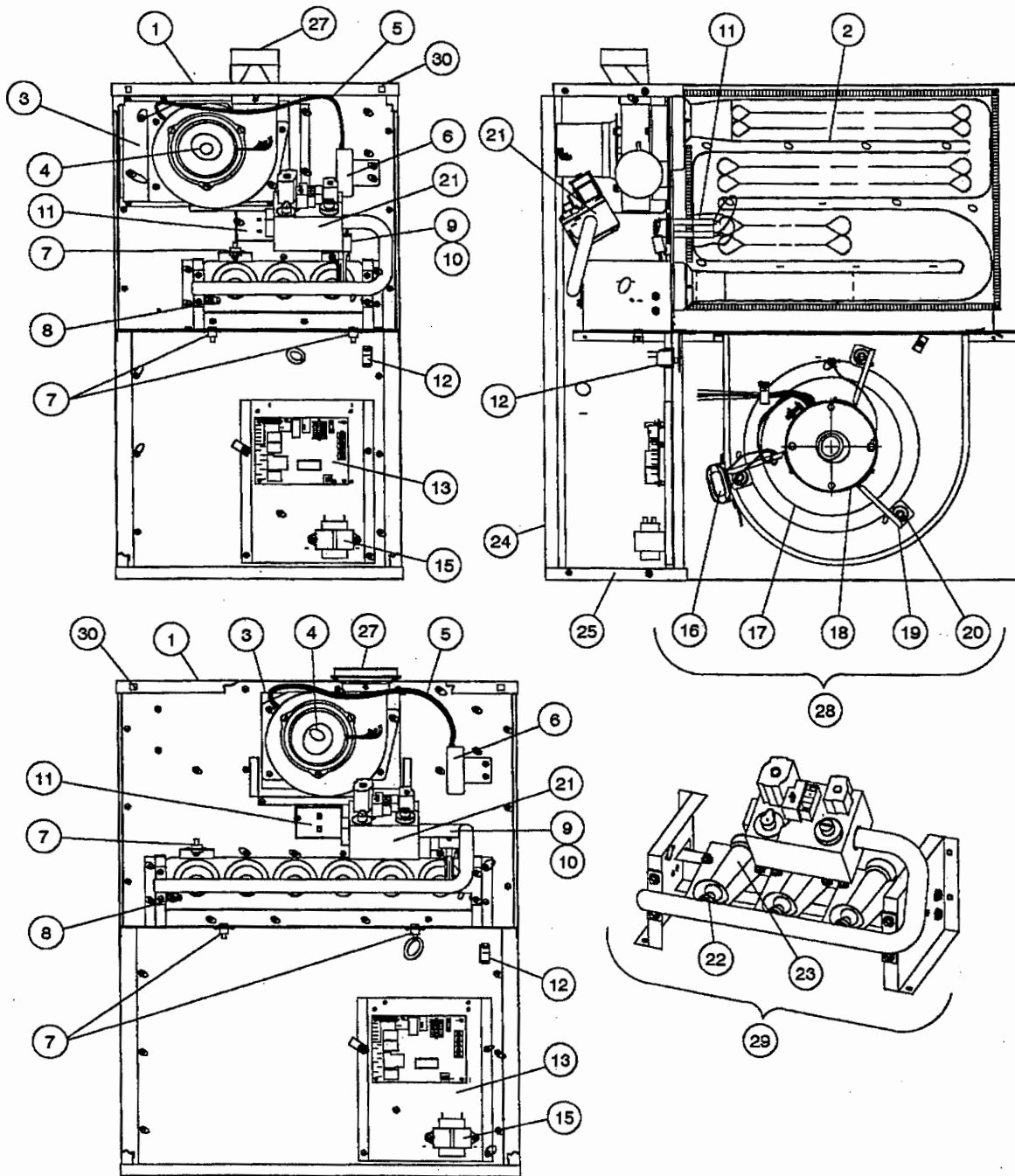


SAME GMB
BGM/GMB
STYLE "B"

**BGM SERIES — CLAM TUBE —
FOUR-POSITION HSI FURNACE**

Repair Parts List for:

BGM05012BXD	BGM07512BXD	BGM07516BXD	BGM10016BXD	BGM10020BXD	BGM12520BXD
BGM05012BXU	BGM07512BXU	BGM07516BXU	BGM10016BXU	BGM10020BXU	BGM12520BXU
BGM05012BD	BGM07512BD	BGM07516BD	BGM10016BD	BGM10020BD	BGM12520BD
BGM05012BU	BGM07512BU	BGM07516BU	BGM10016BU	BGM10020BU	BGM12520BU
					BGU15020B



15020 Only

Shown in Upflow Configuration

Composite 2802-721/A

**BGM SERIES — CLAMTUBE —
FOUR-POSITION HSI FURNACE**

CODE	USED ON MODEL	NO. REQ.	PART NUMBER	DESCRIPTION	VENDOR
1	05012, 07512	1	2802-1751	Casing Top Cap	
	07516, 10016	1	2804-1751	Casing Top Cap	
	10020, 12520	1	2805-1751	Casing Top Cap	
	15020	1	2805-1771	Casing Top Cap	
2	05012BX	1	2702-5061/A	Heat Exchanger Assembly	
	07512BX, 07516BX	1	2703-5061/A	Heat Exchanger Assembly	
	10016BX, 10020BX	1	2704-5061/A	Heat Exchanger Assembly	
	12520BX	1	2805-5061	Heat Exchanger Assembly	
	05012B	1	2702-5031/A	Heat Exchanger Assembly	
	07512B, 07516B	1	2703-5031/A	Heat Exchanger Assembly	
	10016B, 10020B	1	2704-5031/A	Heat Exchanger Assembly	
	12520B	1	2805-5031	Heat Exchanger Assembly	
	15020B	1	2706-5031/A	Heat Exchanger Assembly	
* 3	05012, 07512	1	2802-3051	Vent Blower Gasket	
	07516, 10016				
	10020, 12520				
	15020	1	2702-4051/A	Vent Blower Gasket	
* 4	All	1	2702-321P	Vent Blower	Fasco
* 5	All	1	2702-4061	Pressure Tube	
* 6	05012, 07512, 07516	1	024-27576-000	Pressure Switch	MPL
	10016, 10020, 12520, 15020	1	024-27577-000	Pressure Switch	MPL
* 7	All	3	2702-3191	Rollout Switch	Elmwood, TI, TOD
* 8	All	1	2702-311P	Sensor Rod	PSE, Channel
* 9	All	1	025-32625-000	Ignitor	Norton
10	All	1	2702-1311	Ignitor Bracket Assembly	
* 11	07512, 10016	1	2702-314P/A	Limit Switch (Open 140°)	Watsco, TOD, TI
	05012	1	2702-315P/A	Limit Switch (Open 155°)	Watsco, TOD, TI
	07516	1	2702-338P/A	Limit Switch (Open 180°)	Watsco, TOD
	10020, 12520, 15020	1	2702-316P/A	Limit Switch (Open 175°)	Watsco, TOD, TI
* 12	All	1	024-27640-000	Door Switch = BLK 1462-1021 = WHI	
* 13	All	1	031-01267-000	Integrated Control	Texas Instruments
14	05012, 07512	1	2802-4711	Wire Harness - Not Shown (Includes all plugs and wiring to plugs - Does Not include all furnace wiring)	
	07516, 10016	1	2804-4711	Wire Harness - Not Shown (Includes all plugs and wiring to plugs - Does Not include all furnace wiring)	
	10020, 12520	1	2805-4711	Wire Harness - Not Shown (Includes all plugs and wiring to plugs - Does Not include all furnace wiring)	
	15020	1	2806-4711	Wire Harness - Not Shown (Includes all plugs and wiring to plugs - Does Not include all furnace wiring)	
* 15	All	1	2940A3541	Transformer (40VA)	Basler
* 16	05012, 07512	1	1499-4461	Capacitor (7.5 MFD., 370V)	CSC(Sprague), GE
	07516, 10016, 10020, 12520, 15020	1	1499-4491	Capacitor (10 MFD., 370V)	CSC(Sprague), GE
* 17	05012, 07512	1	1472-2761	Blower Wheel (CW) (10-5/8x8-1/8)	Morrison
	07516, 10016	1	1472-2821	Blower Wheel (CCW) (10-5/8x10-5/8)	Morrison
	10020, 12520, 15020	1	1472-2861	Blower Wheel (CW) (10-5/8x6)	Morrison
	10020, 12520, 15020	1	1472-2851	Blower Wheel (CCW) (10-5/8x6)	Morrison
* 18	05012, 07512	1	1468-236P	Blower Motor (CCW)	GE, AO Smith
	07516, 10016	1	1468-244P	Blower Motor (CW)	GE, AO Smith
	10020, 12520, 15020	1	1468-245P	Blower Motor (CW)	GE, AO Smith
19	05012, 07512, 07516, 10016	1	2703-4181	Blower Motor Clamp	
	10020, 12520, 15020	1	2705-4181	Blower Motor Clamp	
* 20	All	1	2702-4091	Rubber Motor Mounts (3 Per Pkg.)	
* 21	All	1	025-31998-000	Gas Valve	White Rodgers
* 22	All	2-6	029-21182-042	Gas Orifice (Natural - 0 - 2,000 Ft.)	
	All	2-6	029-21182-054	Gas Orifice (LP - 0 - 2,000 Ft.)	
	All	2-6	029-21182-043	Gas Orifice (Natural High Altitude - 2,000 - 5,000 Ft.)	
	All	2-6	029-21182-044	Gas Orifice (Natural High Altitude - 5,000 - 7,000 Ft.)	
	All	2-6	029-21182-055	Gas Orifice (LP High Altitude - 2,000 - 7,000 Ft.)	

**BGM SERIES — CLAM TUBE —
FOUR-POSITION HSI FURNACE**

CODE	USED ON MODEL	NO. REQ.	PART NUMBER	DESCRIPTION	VENDOR
23	All	2-6	2702-308P	Burner	
24	05012, 07512	1	2802-1791	Door Panel	
	07516, 10016	1	2804-1791	Door Panel	
	10020, 12520, 15020	1	2805-1791	Door Panel	
25	05012, 07512	1	2802-1741	Casing Bottom Cap	
	07516, 10016	1	2804-1741	Casing Bottom Cap	
	10020, 12520, 15020	1	2805-1741	Casing Bottom Cap	
26	All	1	1539-400	Bezel Plate	
27	05012-12520	1	2802-3081	Transition (3")	
	15020	1	2703-3081/A	Transition (4")	
28	05012, 07512	1	2703-690	Blower Assembly	
	07516, 10016	1	2704-690	Blower Assembly	
	10020, 12520, 15020	1	2705-690	Blower Assembly	
29	05012	1	2802-520	Burner Assembly	
	07512, 07516	1	2803-520	Burner Assembly	
	10016, 10020	1	2804-520	Burner Assembly	
	12520	1	2805-520	Burner Assembly	
	15020	1	2806-520	Burner Assembly	
30	All	1	3612-3531	Door Latch (2 Per Pkg.)	

ACCESSORIES

	05012, 07512	1	2802-5521	Combustible Floor Sub-Base	
	07516, 10016	1	2804-5521	Combustible Floor Sub-Base	
	10020, 12520	1	2805-5521	Combustible Floor Sub-Base	
	05012, 07512	1	2802-5611 or 1BR0312	Bottom Filter Rack	
	07516, 10016	1	2804-5611 or 1BR0316	Bottom Filter Rack	
	10020, 12520, 15020	1	2805-5611 or 1BR0320	Bottom Filter Rack	
	All	1	1NP0366	Conversion Kit — Natural Gas to LP Gas	
	All	1	1NP0367	Conversion Kit — Natural Gas to LP Gas - High Altitude	
	All	1	2802-312P	Vent Pipe Extension	

NOTE: All parts with three digit suffix numbers are "Special Order" Parts. These parts are subject to factory availability and require extra time for delivery.

* Suggested Parts Inventory (2% of Units Installed—Minimum 1 each)

▼ Both Blower Wheels (1472-2861 and 1472-2851) are used on these Models.

1216-246 Strain Relief

Product Parts List

4/12/00

GMB05012AXD

Page 1

Code	Fig	Part Number	Description	Price	Obs	Replacement	Comments
1	1	2802-2451	CASING TOP CAP		No		GREY
2	1	2702-5061/A	HEAT EXCHANGER	\$ 113,38	No	026-34647-000	
3	1	2802-3051	VENT BLOWER GASKET		Yes	026-34719-000	
4	1	2702-320P/A	VENTOR BLOWER WITH MOTOR		Yes	026-34720-000	3300 RPM 115-1-60
5	1	2702-4061	PRESSURE SWITCH TUBE	\$ 4,96	No	026-34721-000	
6	1	2702-325P	AIR PRESSURE SWITCH		Yes	026-34722-001	.50 INCH WATER COLUMN
7	1	2702-3191	ROLLOUT SWITCH		Yes	026-34723-000	
8	1	2702-311P	SENSOR ROD	\$ 12,05	No		
9	1	1474-0511	IGNITOR		Yes	1474-051P	
10	1	2702-1311	IGNITOR BRACKET	\$ 2,66	No		
11	1	2702-316P/A	LIMIT SWITCH		Yes	026-34726-004	SAME AS 2702-3161/A
12	1	1462-1021	SAFETY SWITCH	\$ 7,46	No	026-34727-000	10 AMP
13	1	2702-310P/A	INTEGRATED CONTROL	\$ 146,08	No		
14	1	2802-4701	WIRE HARNESS	\$ 24,49	No		INCLUDES ALL PLUGS AND WIRING TO PLUGS DOES NOT INCLUDE ALL FURNACE WIRING
15	1	2940A3541	TRANSFORMER 40VA	\$ 20,27	Yes	026-34729-000	115/24V 40 VA
16	1	1499-4461	7.5 MFD RUN CAPACITOR		Yes	026-34730-001	7.5 MFD 370V 60 Hz 1 PHASE
17	1	1472-2761	10 X 8 BLOWER WHEEL		Yes	026-34731-001	10 5/8 DIAMETER X 8 1/8 CW
18	1	1468-236P	1/3 HP BLOWER MOTOR		Yes	026-34732-000	1/3 HP 1070/3 CCW 115-1-60
19	1	2703-4181	BLOWER MOTOR CLAMP	\$ 11,35	No	026-34735-001	
20	1	2702-4091	RUBBER MOTOR MOUNT	\$ 8,05	No	026-34736-000	3 PER PACKAGE
21	1	2702-331P	GAS VALVE		Yes	025-31996-000	
2	1	2702-308P	BURNER	\$ 8,70	No	026-34743-000	1 TUBE
22	1	9900-0521	GAS ORIFICE (LP 2,000 TO 7,000	\$ 3,70	No	029-22104-000	REQUIRED 1 PER BURNER
22	1	9900-0551	GAS ORIFICE (LP 0 TO 2,000 FOOT)	\$ 3,70	No	026-34739-000	REQUIRED 1 PER BURNER
22	1	9900-0861	GAS ORIFICE (NATURAL GAS 5,000	\$ 3,70	No		REQUIRED 1 PER BURNER
22	1	9900-0891	GAS ORIFICE (NATURAL GAS 2,000		Yes	029-20338-004	REQUIRED 1 PER BURNER
23	1	9900-0931	GAS ORIFICE (NATURAL GAS 0 TO	\$ 3,70	No	029-22106-000	REQUIRED 1 PER BURNER
24	1	2802-2191	DOOR PANEL		Yes		GREY
25	1	2802-2241	CASING BOTTOM CAP		No		GREY
26	1	1539-401	BEZEL PLATE BLACK		Yes		SPECIAL ORDER SUBJECT TO FACTORY AVAILABILITY
27	1	2802-3061	TRANSITION 3 INCH		Yes	026-34746-000	
28	1	2703-690	BLOWER ASSEMBLY		Yes	026-34747-001	SPECIAL ORDER SUBJECT TO FACTORY AVAILABILITY
29	1	2802-520	BURNER ASSEMBLY		Yes	026-34748-001	SPECIAL ORDER SUBJECT TO FACTORY AVAILABILITY
30	1	3612-3531	DOOR LATCH	\$ 2,91	No	026-34749-000	MULTIPLES OF 2

Product Parts List

4/12/00

GMB05012AXU

Page 1

Code	Fig	Part Number	Description	Price	Obs	Replacement	Comments
1	1	2802-2451	CASING TOP CAP		No		GREY
2	1	2702-5061/A	HEAT EXCHANGER	\$ 113,38	No	026-34647-000	
3	1	2802-3051	VENT BLOWER GASKET		Yes	026-34719-000	
4	1	2702-320P/A	VENTOR BLOWER WITH MOTOR		Yes	026-34720-000	3300 RPM 115-1-60
5	1	2702-4061	PRESSURE SWITCH TUBE	\$ 4,96	No	026-34721-000	
6	1	2702-325P	AIR PRESSURE SWITCH		Yes	026-34722-001	.50 INCH WATER COLUMN
7	1	2702-3191	ROLLOUT SWITCH		Yes	026-34723-000	
8	1	2702-311P	SENSOR ROD	\$ 12,05	No		
9	1	1474-0511	IGNITOR		Yes	1474-051P	
10	1	2702-1311	IGNITOR BRACKET	\$ 2,66	No		
11	1	2702-316P/A	LIMIT SWITCH		Yes	026-34726-004	SAME AS 2702-3161/A
12	1	1462-1021	SAFETY SWITCH	\$ 7,46	No	026-34727-000	10 AMP
13	1	2702-310P/A	INTEGRATED CONTROL	\$ 146,08	No		
14	1	2802-4701	WIRE HARNESS	\$ 24,49	No		INCLUDES ALL PLUGS AND WIRING TO PLUGS DOES NOT INCLUDE ALL FURNACE WIRING
15	1	2940A3541	TRANSFORMER 40VA	\$ 20,27	Yes	026-34729-000	115/24V 40 VA
16	1	1499-4461	7.5 MFD RUN CAPACITOR		Yes	026-34730-001	7.5 MFD 370V 60 Hz 1 PHASE
17	1	1472-2761	10 X 8 BLOWER WHEEL		Yes	026-34731-001	10 5/8 DIAMETER X 8 1/8 CW
18	1	1468-236P	1/3 HP BLOWER MOTOR		Yes	026-34732-000	1/3 HP 1070/3 CCW 115-1-60
19	1	2703-4181	BLOWER MOTOR CLAMP	\$ 11,35	No	026-34735-001	
20	1	2702-4091	RUBBER MOTOR MOUNT	\$ 8,05	No	026-34736-000	3 PER PACKAGE
21	1	2702-331P	GAS VALVE		Yes	025-31996-000	
22	1	9900-0521	GAS ORIFICE (LP 2,000 TO 7,000	\$ 3,70	No	029-22104-000	REQUIRED 1 PER BURNER
22	1	9900-0551	GAS ORIFICE (LP 0 TO 2,000 FOOT)	\$ 3,70	No	026-34739-000	REQUIRED 1 PER BURNER
22	1	9900-0861	GAS ORIFICE (NATURAL GAS 5,000	\$ 3,70	No		REQUIRED 1 PER BURNER
22	1	9900-0891	GAS ORIFICE (NATURAL GAS 2,000		Yes	029-20338-004	REQUIRED 1 PER BURNER
22	1	9900-0931	GAS ORIFICE (NATURAL GAS 0 TO	\$ 3,70	No	029-22106-000	REQUIRED 1 PER BURNER
23	1	2702-308P	BURNER	\$ 8,70	No	026-34743-000	1 TUBE
24	1	2802-2191	DOOR PANEL		Yes		GREY
25	1	2802-2241	CASING BOTTOM CAP		No		GREY
26	1	1539-401	BEZEL PLATE BLACK		Yes		SPECIAL ORDER SUBJECT TO FACTORY AVAILABILITY
27	1	2802-3061	TRANSITION 3 INCH		Yes	026-34746-000	
28	1	2703-690	BLOWER ASSEMBLY		Yes	026-34747-001	SPECIAL ORDER SUBJECT TO FACTORY AVAILABILITY
29	1	2802-520	BURNER ASSEMBLY		Yes	026-34748-001	SPECIAL ORDER SUBJECT TO FACTORY AVAILABILITY
30	1	3612-3531	DOOR LATCH	\$ 2,91	No	026-34749-000	MULTIPLES OF 2

Product Parts List

4/12/00

GMB07512AXD

Page 1

Code	Fig	Part Number	Description	Price	Obs	Replacement	Comments
1	1	2802-2451	CASING TOP CAP		No		GREY
2	1	2703-5061/A	HEAT EXCHANGER	\$ 180,71	No	026-34648-000	
3	1	2802-3051	VENT BLOWER GASKET		Yes	026-34719-000	
4	1	2702-320P/A	VENTOR BLOWER WITH MOTOR		Yes	026-34720-000	3300 RPM 115-1-60
5	1	2702-4061	PRESSURE SWITCH TUBE	\$ 4,96	No	026-34721-000	
6	1	2702-325P	AIR PRESSURE SWITCH		Yes	026-34722-001	.50 INCH WATER COLUMN
7	1	2702-3191	ROLLOUT SWITCH		Yes	026-34723-000	
8	1	2702-311P	SENSOR ROD	\$ 12,05	No		
9	1	1474-0511	IGNITOR		Yes	1474-051P	
10	1	2702-1311	IGNITOR BRACKET	\$ 2,66	No		
11	1	2702-315P/A	LIMIT SWITCH	\$ 10,11	No	026-34726-002	SAME AS 2702-3151/A
12	1	1462-1021	SAFETY SWITCH	\$ 7,46	No	026-34727-000	10 AMP
13	1	2702-310P/A	INTEGRATED CONTROL	\$ 146,08	No		
14	1	2802-4701	WIRE HARNESS	\$ 24,49	No		INCLUDES ALL PLUGS AND WIRING TO PLUGS DOES NOT INCLUDE ALL FURNACE WIRING
15	1	2940A3541	TRANSFORMER 40VA	\$ 20,27	Yes	026-34729-000	115/24V 40 VA
16	1	1499-4461	7.5 MFD RUN CAPACITOR		Yes	026-34730-001	7.5 MFD 370V 60 Hz 1 PHASE
17	1	1472-2761	10 X 8 BLOWER WHEEL		Yes	026-34731-001	10 5/8 DIAMETER X 8 1/8 CW
18	1	1468-236P	1/3 HP BLOWER MOTOR		Yes	026-34732-000	1/3 HP 1070/3 CCW 115-1-60
19	1	2703-4181	BLOWER MOTOR CLAMP	\$ 11,35	No	026-34735-001	
20	1	2702-4091	RUBBER MOTOR MOUNT	\$ 8,05	No	026-34736-000	3 PER PACKAGE
21	1	2702-331P	GAS VALVE		Yes	025-31996-000	
22	1	9900-0521	GAS ORIFICE (LP 2,000 TO 7,000)	\$ 3,70	No	029-22104-000	REQUIRED 1 PER BURNER
22	1	9900-0551	GAS ORIFICE (LP 0 TO 2,000 FOOT)	\$ 3,70	No	026-34739-000	REQUIRED 1 PER BURNER
22	1	9900-0861	GAS ORIFICE (NATURAL GAS 5,000)	\$ 3,70	No		REQUIRED 1 PER BURNER
22	1	9900-0891	GAS ORIFICE (NATURAL GAS 2,000)		Yes	029-20338-004	REQUIRED 1 PER BURNER
22	1	9900-0931	GAS ORIFICE (NATURAL GAS 0 TO	\$ 3,70	No	029-22106-000	REQUIRED 1 PER BURNER
23	1	2702-308P	BURNER	\$ 8,70	No	026-34743-000	1 TUBE
24	1	2802-2191	DOOR PANEL		Yes		GREY
25	1	2802-2241	CASING BOTTOM CAP		No		GREY
26	1	1539-401	BEZEL PLATE BLACK		Yes		SPECIAL ORDER SUBJECT TO FACTORY AVAILABILITY
27	1	2802-3061	TRANSITION 3 INCH		Yes	026-34746-000	
28	1	2703-690	BLOWER ASSEMBLY		Yes	026-34747-001	SPECIAL ORDER SUBJECT TO FACTORY AVAILABILITY
29	1	2803-520	BURNER ASSEMBLY		Yes	026-34748-002	SPECIAL ORDER SUBJECT TO FACTORY AVAILABILITY
30	1	3612-3531	DOOR LATCH	\$ 2,91	No	026-34749-000	MULTIPLES OF 2

Product Parts List

4/12/00

GMB07512AXU

Page 1

Code	Fig	Part Number	Description	Price	Obs	Replacement	Comments
1	1	2802-2451	CASING TOP CAP		No		GREY
2	1	2703-5061/A	HEAT EXCHANGER	\$ 180,71	No	026-34648-000	
3	1	2802-3051	VENT BLOWER GASKET		Yes	026-34719-000	
4	1	2702-320P/A	VENTOR BLOWER WITH MOTOR		Yes	026-34720-000	3300 RPM 115-1-60
5	1	2702-4061	PRESSURE SWITCH TUBE	\$ 4,96	No	026-34721-000	
6	1	2702-325P	AIR PRESSURE SWITCH		Yes	026-34722-001	.50 INCH WATER COLUMN
7	1	2702-3191	ROLLOUT SWITCH		Yes	026-34723-000	
8	1	2702-311P	SENSOR ROD	\$ 12,05	No		
9	1	1474-0511	IGNITOR		Yes	1474-051P	
10	1	2702-1311	IGNITOR BRACKET	\$ 2,66	No		
11	1	2702-315P/A	LIMIT SWITCH	\$ 10,11	No	026-34726-002	SAME AS 2702-3151/A
12	1	1462-1021	SAFETY SWITCH	\$ 7,46	No	026-34727-000	10 AMP
13	1	2702-310P/A	INTEGRATED CONTROL	\$ 146,08	No		
14	1	2802-4701	WIRE HARNESS	\$ 24,49	No		INCLUDES ALL PLUGS AND WIRING TO PLUGS DOES NOT INCLUDE ALL FURNACE WIRING
15	1	2940A3541	TRANSFORMER 40VA	\$ 20,27	Yes	026-34729-000	115/24V 40 VA
16	1	1499-4461	7.5 MFD RUN CAPACITOR		Yes	026-34730-001	7.5 MFD 370V 60 Hz 1 PHASE
17	1	1472-2761	10 X 8 BLOWER WHEEL		Yes	026-34731-001	10 5/8 DIAMETER X 8 1/8 CW
18	1	1468-236P	1/3 HP BLOWER MOTOR		Yes	026-34732-000	1/3 HP 1070/3 CCW 115-1-60
19	1	2703-4181	BLOWER MOTOR CLAMP	\$ 11,35	No	026-34735-001	
20	1	2702-4091	RUBBER MOTOR MOUNT	\$ 8,05	No	026-34736-000	3 PER PACKAGE
21	1	2702-331P	GAS VALVE		Yes	025-31996-000	
22	1	9900-0521	GAS ORIFICE (LP 2,000 TO 7,000	\$ 3,70	No	029-22104-000	REQUIRED 1 PER BURNER
22	1	9900-0551	GAS ORIFICE (LP 0 TO 2,000 FOOT)	\$ 3,70	No	026-34739-000	REQUIRED 1 PER BURNER
22	1	9900-0861	GAS ORIFICE (NATURAL GAS 5,000	\$ 3,70	No		REQUIRED 1 PER BURNER
22	1	9900-0891	GAS ORIFICE (NATURAL GAS 2,000		Yes	029-20338-004	REQUIRED 1 PER BURNER
22	1	9900-0931	GAS ORIFICE (NATURAL GAS 0 TO	\$ 3,70	No	029-22106-000	REQUIRED 1 PER BURNER
23	1	2702-308P	BURNER	\$ 8,70	No	026-34743-000	1 TUBE
24	1	2802-2191	DOOR PANEL		Yes		GREY
25	1	2802-2241	CASING BOTTOM CAP		No		GREY
26	1	1539-401	BEZEL PLATE BLACK		Yes		SPECIAL ORDER SUBJECT TO FACTORY AVAILABILITY
27	1	2802-3061	TRANSITION 3 INCH		Yes	026-34746-000	
28	1	2703-690	BLOWER ASSEMBLY		Yes	026-34747-001	SPECIAL ORDER SUBJECT TO FACTORY AVAILABILITY
29	1	2803-520	BURNER ASSEMBLY		Yes	026-34748-002	SPECIAL ORDER SUBJECT TO FACTORY AVAILABILITY
30	1	3612-3531	DOOR LATCH	\$ 2,91	No	026-34749-000	MULTIPLES OF 2

Product Parts List

4/12/00

GMB10016AXD

Page 1

Code	Fig	Part Number	Description	Price	Obs	Replacement	Comments
1	1	2804-2451	CASING TOP CAP		No		GREY
2	1	2704-5061/A	HEAT EXCHANGER		No	026-34649-000	
3	1	2802-3051	VENT BLOWER GASKET		Yes	026-34719-000	
4	1	2702-320P/A	VENTOR BLOWER WITH MOTOR		Yes	026-34720-000	3300 RPM 115-1-60
5	1	2702-4061	PRESSURE SWITCH TUBE	\$ 4,96	No	026-34721-000	
6	1	2702-335P	AIR PRESSURE SWITCH	\$ 38,56	Yes	026-34722-002	.65 INCH WATER COLUMN
7	1	2702-3191	ROLLOUT SWITCH		Yes	026-34723-000	
8	1	2702-311P	SENSOR ROD	\$ 12,05	No		
9	1	1474-0511	IGNITOR		Yes	1474-051P	
10	1	2702-1311	IGNITOR BRACKET	\$ 2,66	No		
11	1	2702-315P/A	LIMIT SWITCH	\$ 10,11	No	026-34726-002	SAME AS 2702-3151/A
12	1	1462-1021	SAFETY SWITCH	\$ 7,46	No	026-34727-000	10 AMP
13	1	2702-310P/A	INTEGRATED CONTROL	\$ 146,08	No		
14	1	2804-4701	WIRE HARNESS	\$ 24,49	No		INCLUDES ALL PLUGS AND WIRING TO PLUGS DOES NOT INCLUDE ALL FURNACE WIRING
15	1	2940A3541	TRANSFORMER 40VA	\$ 20,27	Yes	026-34729-000	115/24V 40 VA
16	1	1499-4491	10 MFD RUN CAPACITOR		Yes	026-34730-002	10 MFD 370V
17	1	1472-2821	10 X 10 BLOWER WHEEL		Yes	026-34731-002	10 5/8 X 10 5/8 CCW 1/2 INCH BORE
18	1	1468-244P	1/2 HP BLOWER MOTOR		Yes	026-34733-000	1/2 HP 1100/4 CW 115-1-60
19	1	2703-4181	BLOWER MOTOR CLAMP	\$ 11,35	No	026-34735-001	
20	1	2702-4091	RUBBER MOTOR MOUNT	\$ 8,05	No	026-34736-000	3 PER PACKAGE
21	1	2702-331P	GAS VALVE		Yes	025-31996-000	
22	1	9900-0521	GAS ORIFICE (LP 2,000 TO 7,000	\$ 3,70	No	029-22104-000	REQUIRED 1 PER BURNER
22	1	9900-0551	GAS ORIFICE (LP 0 TO 2,000 FOOT)	\$ 3,70	No	026-34739-000	REQUIRED 1 PER BURNER
22	1	9900-0861	GAS ORIFICE (NATURAL GAS 5,000	\$ 3,70	No		REQUIRED 1 PER BURNER
22	1	9900-0891	GAS ORIFICE (NATURAL GAS 2,000		Yes	029-20338-004	REQUIRED 1 PER BURNER
22	1	9900-0931	GAS ORIFICE (NATURAL GAS 0 TO	\$ 3,70	No	029-22106-000	REQUIRED 1 PER BURNER
23	1	2702-308P	BURNER	\$ 8,70	No	026-34743-000	1 TUBE
24	1	2804-2191	DOOR PANEL		No		GREY
25	1	2804-2241	CASING BOTTOM CAP		No		GREY
26	1	1539-401	BEZEL PLATE BLACK		Yes		SPECIAL ORDER SUBJECT TO FACTORY AVAILABILITY
27	1	2802-3061	TRANSITION 3 INCH		Yes	026-34746-000	
28	1	2704-690	BLOWER ASSEMBLY	\$ 202,79	No	026-34747-002	SPECIAL ORDER SUBJECT TO FACTORY AVAILABILITY
29	1	2804-520	BURNER ASSEMBLY		Yes	026-34748-003	SPECIAL ORDER SUBJECT TO FACTORY AVAILABILITY
30	1	3612-3531	DOOR LATCH	\$ 2,91	No	026-34749-000	MULTIPLES OF 2

Product Parts List

4/12/00

GMB10016AXU

Page 1

Code	Fig	Part Number	Description	Price	Obs	Replacement	Comments
1	1	2804-2451	CASING TOP CAP		No		GREY
2	1	2704-5061/A	HEAT EXCHANGER		No	026-34649-000	
3	1	2802-3051	VENT BLOWER GASKET		Yes	026-34719-000	
4	1	2702-320P/A	VENTOR BLOWER WITH MOTOR		Yes	026-34720-000	3300 RPM 115-1-60
5	1	2702-4061	PRESSURE SWITCH TUBE	\$ 4,96	No	026-34721-000	
6	1	2702-335P	AIR PRESSURE SWITCH	\$ 38,56	Yes	026-34722-002	.65 INCH WATER COLUMN
7	1	2702-3191	ROLLOUT SWITCH		Yes	026-34723-000	
8	1	2702-311P	SENSOR ROD	\$ 12,05	No		
9	1	1474-0511	IGNITOR		Yes	1474-051P	
10	1	2702-1311	IGNITOR BRACKET	\$ 2,66	No		
11	1	2702-315P/A	LIMIT SWITCH	\$ 10,11	No	026-34726-002	SAME AS 2702-3151/A
12	1	1462-1021	SAFETY SWITCH	\$ 7,46	No	026-34727-000	10 AMP
13	1	2702-310P/A	INTEGRATED CONTROL	\$ 146,08	No		
14	1	2804-4701	WIRE HARNESS	\$ 24,49	No		INCLUDES ALL PLUGS AND WIRING TO PLUGS DOES NOT INCLUDE ALL FURNACE WIRING
15	1	2940A3541	TRANSFORMER 40VA	\$ 20,27	Yes	026-34729-000	115/24V 40 VA
16	1	1499-4491	10 MFD RUN CAPACITOR		Yes	026-34730-002	10 MFD 370V
17	1	1472-2821	10 X 10 BLOWER WHEEL		Yes	026-34731-002	10 5/8 X 10 5/8 CCW 1/2 INCH BORE
18	1	1468-244P	1/2 HP BLOWER MOTOR		Yes	026-34733-000	1/2 HP 1100/4 CW 115-1-60
19	1	2703-4181	BLOWER MOTOR CLAMP	\$ 11,35	No	026-34735-001	
20	1	2702-4091	RUBBER MOTOR MOUNT	\$ 8,05	No	026-34736-000	3 PER PACKAGE
21	1	2702-331P	GAS VALVE		Yes	025-31996-000	
22	1	9900-0521	GAS ORIFICE (LP 2,000 TO 7,000	\$ 3,70	No	029-22104-000	REQUIRED 1 PER BURNER
22	1	9900-0551	GAS ORIFICE (LP 0 TO 2,000 FOOT)	\$ 3,70	No	026-34739-000	REQUIRED 1 PER BURNER
22	1	9900-0861	GAS ORIFICE (NATURAL GAS 5,000	\$ 3,70	No		REQUIRED 1 PER BURNER
22	1	9900-0891	GAS ORIFICE (NATURAL GAS 2,000		Yes	029-20338-004	REQUIRED 1 PER BURNER
22	1	9900-0931	GAS ORIFICE (NATURAL GAS 0 TO	\$ 3,70	No	029-22106-000	REQUIRED 1 PER BURNER
23	1	2702-308P	BURNER	\$ 8,70	No	026-34743-000	1 TUBE
24	1	2804-2191	DOOR PANEL		No		GREY
25	1	2804-2241	CASING BOTTOM CAP		No		GREY
26	1	1539-401	BEZEL PLATE BLACK		Yes		SPECIAL ORDER SUBJECT TO FACTORY AVAILABILITY
27	1	2802-3061	TRANSITION 3 INCH		Yes	026-34746-000	
28	1	2704-690	BLOWER ASSEMBLY	\$ 202,79	No	026-34747-002	SPECIAL ORDER SUBJECT TO FACTORY AVAILABILITY
29	1	2804-520	BURNER ASSEMBLY		Yes	026-34748-003	SPECIAL ORDER SUBJECT TO FACTORY AVAILABILITY
30	1	3612-3531	DOOR LATCH	\$ 2,91	No	026-34749-000	MULTIPLES OF 2

Product Parts List

4/12/00

GMB12520AXD

Page 1

Code	Fig	Part Number	Description	Price	Obs	Replacement	Comments
1	1	2805-2451	CASING TOP CAP		No		GREY
2	1	2805-5061	HEAT EXCHANGER ASSEMBLY	\$ 249,72	No		
3	1	2802-3051	VENT BLOWER GASKET		Yes	026-34719-000	
4	1	2702-320P/A	VENTOR BLOWER WITH MOTOR		Yes	026-34720-000	3300 RPM 115-1-60
5	1	2702-4061	PRESSURE SWITCH TUBE	\$ 4,96	No	026-34721-000	
6	1	2702-335P	AIR PRESSURE SWITCH	\$ 38,56	Yes	026-34722-002	.65 INCH WATER COLUMN
7	1	2702-3191	ROLLOUT SWITCH		Yes	026-34723-000	
8	1	2702-311P	SENSOR ROD	\$ 12,05	No		
9	1	1474-0511	IGNITOR		Yes	1474-051P	
10	1	2702-1311	IGNITOR BRACKET	\$ 2,66	No		
11	1	2702-316P/A	LIMIT SWITCH		Yes	026-34726-004	SAME AS 2702-3161/A
12	1	1462-1021	SAFETY SWITCH	\$ 7,46	No	026-34727-000	10 AMP
13	1	2702-310P/A	INTEGRATED CONTROL	\$ 146,08	No		
14	1	2805-4701	WIRE HARNESS	\$ 24,49	No		INCLUDES ALL PLUGS AND WIRING TO PLUGS DOES NOT INCLUDE ALL FURNACE WIRING
15	1	2940A3541	TRANSFORMER 40VA	\$ 20,27	Yes	026-34729-000	115/24V 40 VA
16	1	1499-4491	10 MFD RUN CAPACITOR		Yes	026-34730-002	10 MFD 370V
17	1	1472-2851	10 X 6 BLOWER WHEEL		Yes	026-34731-004	10 5/8 X 6 CCW
17	1	1472-2861	10 X 6 BLOWER WHEEL		Yes	026-34731-003	10 5/8 X 6 CW 1/2 INCH BORE
18	1	1468-245P	3/4 HP BLOWER MOTOR	\$ 135,89	No	026-34035-004	3/4 HP 1100/4 115-1-60 CW
19	1	2705-4181	BLOWER MOTOR CLAMP	\$ 11,35	No	026-34735-002	
20	1	2702-4091	RUBBER MOTOR MOUNT	\$ 8,05	No	026-34736-000	3 PER PACKAGE
21	1	2702-331P	GAS VALVE		Yes	025-31996-000	
2	1	9900-0521	GAS ORIFICE (LP 2,000 TO 7,000	\$ 3,70	No	029-22104-000	REQUIRED 1 PER BURNER
22	1	9900-0551	GAS ORIFICE (LP 0 TO 2,000 FOOT)	\$ 3,70	No	026-34739-000	REQUIRED 1 PER BURNER
22	1	9900-0861	GAS ORIFICE (NATURAL GAS 5,000	\$ 3,70	No		REQUIRED 1 PER BURNER
22	1	9900-0891	GAS ORIFICE (NATURAL GAS 2,000		Yes	029-20338-004	REQUIRED 1 PER BURNER
22	1	9900-0931	GAS ORIFICE (NATURAL GAS 0 TO	\$ 3,70	No	029-22106-000	REQUIRED 1 PER BURNER
23	1	2702-308P	BURNER	\$ 8,70	No	026-34743-000	1 TUBE
24	1	2805-2191	DOOR PANEL		No		GREY
25	1	2805-2241	CASING BOTTOM CAP		No		GREY
26	1	1539-401	BEZEL PLATE BLACK		Yes		SPECIAL ORDER SUBJECT TO FACTORY AVAILABILITY
27	1	2802-3061	TRANSITION 3 INCH		Yes	026-34746-000	
28	1	2705-690	BLOWER ASSEMBLY		Yes	026-34747-003	SPECIAL ORDER SUBJECT TO FACTORY AVAILABILITY
29	1	2805-520	BURNER ASSEMBLY		Yes	026-34748-004	SPECIAL ORDER SUBJECT TO FACTORY AVAILABILITY
30	1	3612-3531	DOOR LATCH	\$ 2,91	No	026-34749-000	MULTIPLES OF 2

Product Parts List

4/12/00

GMB12520AXU

Page 1

Code	Fig	Part Number	Description	Price	Obs	Replacement	Comments
1	1	2805-2451	CASING TOP CAP		No		GREY
2	1	2805-5061	HEAT EXCHANGER ASSEMBLY	\$ 249,72	No		
3	1	2802-3051	VENT BLOWER GASKET		Yes	026-34719-000	
4	1	2702-320P/A	VENTOR BLOWER WITH MOTOR		Yes	026-34720-000	3300 RPM 115-1-60
5	1	2702-4061	PRESSURE SWITCH TUBE	\$ 4,96	No	026-34721-000	
6	1	2702-335P	AIR PRESSURE SWITCH	\$ 38,56	Yes	026-34722-002	.65 INCH WATER COLUMN
7	1	2702-3191	ROLLOUT SWITCH		Yes	026-34723-000	
8	1	2702-311P	SENSOR ROD	\$ 12,05	No		
9	1	1474-0511	IGNITOR		Yes	1474-051P	
10	1	2702-1311	IGNITOR BRACKET	\$ 2,66	No		
11	1	2702-316P/A	LIMIT SWITCH		Yes	026-34726-004	SAME AS 2702-3161/A
12	1	1462-1021	SAFETY SWITCH	\$ 7,46	No	026-34727-000	10 AMP
13	1	2702-310P/A	INTEGRATED CONTROL	\$ 146,08	No		
14	1	2805-4701	WIRE HARNESS	\$ 24,49	No		INCLUDES ALL PLUGS AND WIRING TO PLUGS DOES NOT INCLUDE ALL FURNACE WIRING
15	1	2940A3541	TRANSFORMER 40VA	\$ 20,27	Yes	026-34729-000	115/24V 40 VA
16	1	1499-4491	10 MFD RUN CAPACITOR		Yes	026-34730-002	10 MFD 370V
17	1	1472-2851	10 X 6 BLOWER WHEEL		Yes	026-34731-004	10 5/8 X 6 CCW
17	1	1472-2861	10 X 6 BLOWER WHEEL		Yes	026-34731-003	10 5/8 X 6 CW 1/2 INCH BORE
18	1	1468-245P	3/4 HP BLOWER MOTOR	\$ 135,89	No	026-34035-004	3/4 HP 1100/4 115-1-60 CW
19	1	2705-4181	BLOWER MOTOR CLAMP	\$ 11,35	No	026-34735-002	
20	1	2702-4091	RUBBER MOTOR MOUNT	\$ 8,05	No	026-34736-000	3 PER PACKAGE
21	1	2702-331P	GAS VALVE		Yes	025-31996-000	
2	1	9900-0521	GAS ORIFICE (LP 2,000 TO 7,000	\$ 3,70	No	029-22104-000	REQUIRED 1 PER BURNER
22	1	9900-0551	GAS ORIFICE (LP 0 TO 2,000 FOOT)	\$ 3,70	No	026-34739-000	REQUIRED 1 PER BURNER
22	1	9900-0861	GAS ORIFICE (NATURAL GAS 5,000	\$ 3,70	No		REQUIRED 1 PER BURNER
22	1	9900-0891	GAS ORIFICE (NATURAL GAS 2,000		Yes	029-20338-004	REQUIRED 1 PER BURNER
22	1	9900-0931	GAS ORIFICE (NATURAL GAS 0 TO	\$ 3,70	No	029-22106-000	REQUIRED 1 PER BURNER
23	1	2702-308P	BURNER	\$ 8,70	No	026-34743-000	1 TUBE
24	1	2805-2191	DOOR PANEL		No		GREY
25	1	2805-2241	CASING BOTTOM CAP		No		GREY
26	1	1539-401	BEZEL PLATE BLACK		Yes		SPECIAL ORDER SUBJECT TO FACTORY AVAILABILITY
27	1	2802-3061	TRANSITION 3 INCH		Yes	026-34746-000	
28	1	2705-690	BLOWER ASSEMBLY		Yes	026-34747-003	SPECIAL ORDER SUBJECT TO FACTORY AVAILABILITY
29	1	2805-520	BURNER ASSEMBLY		Yes	026-34748-004	SPECIAL ORDER SUBJECT TO FACTORY AVAILABILITY
30	1	3612-3531	DOOR LATCH	\$ 2,91	No	026-34749-000	MULTIPLES OF 2