



www.Source1Parts.com

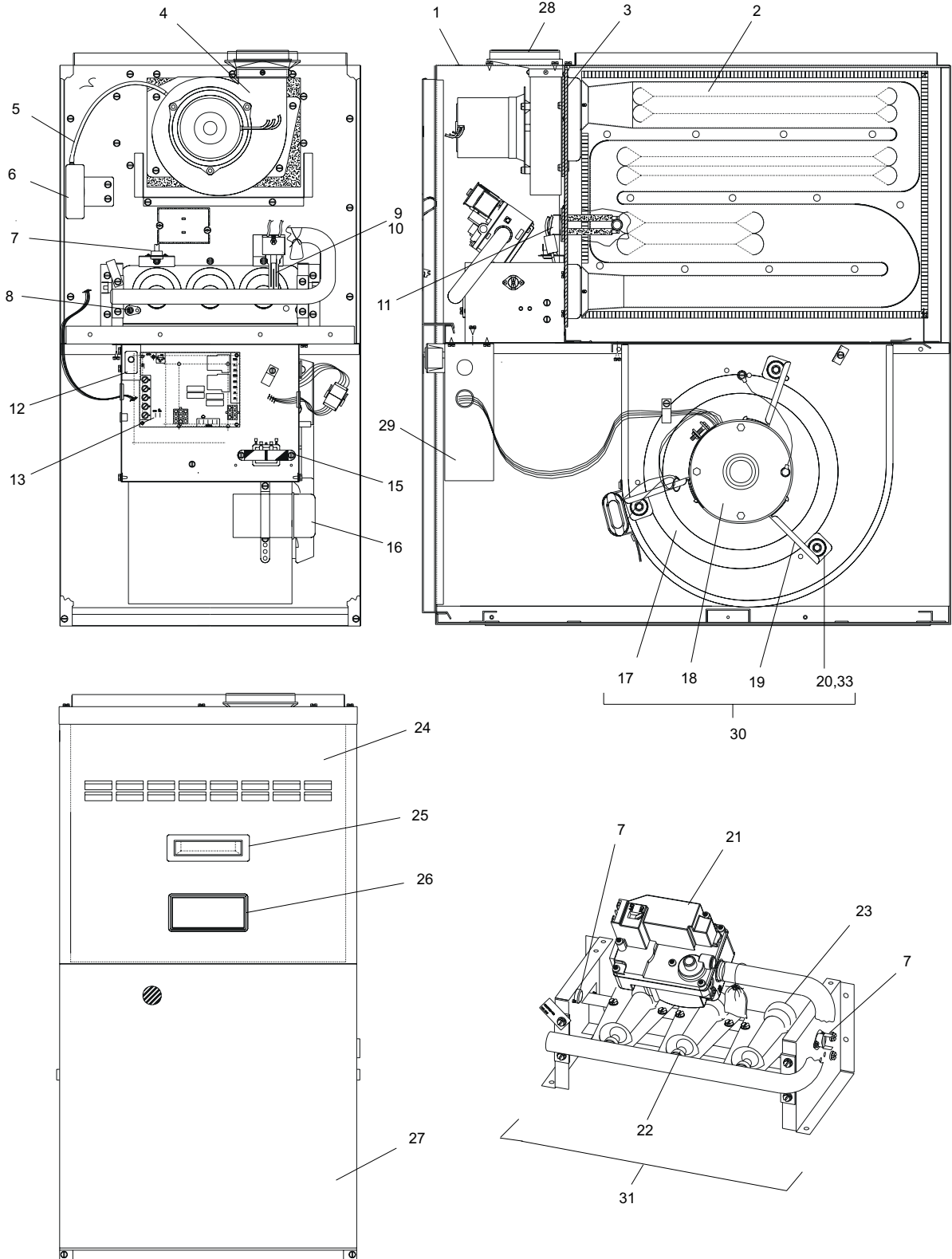
HVAC SERVICE PARTS

# BGU SERIES CLAM TUBE UPFLOW/HORIZONTAL GAS FURNACE

Supersedes:035-15830-001 Rev. C (502)

035-15830-001 Rev. D (0403)

1 of 4



**Models 5010, 5012, 7512, 7516**

| ITEM | DESCRIPTION  | BGU05010A     | BGU05012A     | BGU07512A     | BGU07516A     |
|------|--|---------------|---------------|---------------|---------------|
|      |  | 2 BURNER      | 2 BURNER      | 3 BURNER      | 3 BURNER      |
| 1    | Shield, Top  | 2702-1711/A   | 2702-1171/A   | 2702-1171/A   | 2704-1171/A   |
| 2    | Heat Exchanger Assembly                              | 2702-5031/A   | 2702-5031/A   | 2703-5031/A   | 2703-5031/A   |
| 3    | Gasket, Vent Blower                                  | 2702-3051     | 2702-3051     | 2702-3051     | 2702-3051     |
| 4    | Blower, Vent   | 2702-321P     | 2702-321P     | 2702-321P     | 2702-321P     |
| 5    | Tube, Pressure                                       | 6302-4061     | 6302-4061     | 6302-4061     | 6302-4061     |
| 6    | Switch, Pressure                                     | 024-27575-000 | 024-27575-000 | 024-27575-000 | 024-27575-000 |
| 7    | Switch, Roll Out (3 Req'd)                           | 2702-3191     | 2702-3191     | 2702-3191     | 2702-3191     |
| 8    | Rod, Sensor  | 2702-311P     | 2702-311P     | 2702-311P     | 2702-311P     |
| 9    | Ignitor  | 025-32625-000 | 025-32625-000 | 025-32625-000 | 025-32625-000 |
| 10   | Bracket, Ignitor                                     | 2702-1311     | 2702-1311     | 2702-1311     | 2702-1311     |
| 11   | Switch, Limit (Open 155 Deg.)                        | 2702-315P/A   | ---           | ---           | 2702-315P/A   |
|      | Switch, Limit (Open 175 Deg.)                        | ---           | 2702-316P/A   | 2702-316P/A   | ---           |
|      | Switch, Limit (Open 180 Deg.)                        | ---           | ---           | ---           | ---           |
| 12   | Switch, Door   | 024-27640-000 | 024-27640-000 | 024-27640-000 | 024-27640-000 |
| 13   | Control, Integrated                                  | 031-01933-000 | 031-01933-000 | 031-01933-000 | 031-01933-000 |
| 14*  | Kit, Wire  | 2702-002/A    | 2702-001/A    | 2702-001/A    | 2702-001/A    |
| 15   | Transformer (40VA)                                   | 2940A3541     | 2940A3541     | 2940A3541     | 2940A3541     |
| 16   | Capacitor (7.5MFD, 370V)                             | 1499-4461     | 1499-4461     | 1499-4461     | ---           |
|      | Capacitor (10MFD, 370V)                              | ---           | ---           | ---           | 1499-4491     |
| 17   | Wheel, Blower  | 1472-2751     | 1472-2761     | 1472-2761     | 1472-2821     |
| 18   | Motor, Blower  | 1468-230P     | 1468-236P     | 1468-236P     | 1468-244P     |
| 19   | Mount, 1 PC Motor                                    | 2702-4181     | 073-19831-001 | 073-19831-001 | 073-19831-001 |
| 20   | Motor Mounts, Rubber (3 per pkg.)                    | 7670-3551     | ---           | ---           | ---           |
|      | Motor Mounts, Rubber (3 Req'd)                       | ---           | 028-14740-000 | 028-14740-000 | 028-14740-000 |
| 21   | Valve, Gas (**See Note Below)                        | 025-35136-000 | 025-35136-000 | 025-35136-000 | 025-35136-000 |
| 22   | Orifice, Gas (Natural-0-2,000 Ft.)                   | 029-21182-042 | 029-21182-042 | 029-21182-042 | 029-21182-042 |
|      | Orifice, Gas (LP-0-2,000 Ft.)                        | 029-21182-054 | 029-21182-054 | 029-21182-054 | 029-21182-054 |
|      | Orifice, Gas (Natural-High Altitude-2,000-5,000 Ft.) | 029-21182-043 | 029-21182-043 | 029-21182-043 | 029-21182-043 |
|      | Orifice, Gas (Natural-High Altitude-5,000-7,000 Ft.) | 029-21182-044 | 029-21182-044 | 029-21182-044 | 029-21182-044 |
|      | Orifice, Gas (LP-High Altitude-2,000-7,000 Ft.)      | 029-21182-055 | 029-21182-055 | 029-21182-055 | 029-21182-055 |
| 23   | Burner   | 2702-308P     | 2702-308P     | 2702-308P     | 2702-308P     |
| 24   | Door, Top  | 2702-1191/A   | 2702-1191/A   | 2702-1191/A   | 2704-1191/A   |
| 25   | Handle, Door   | 2845-350      | 2845-350      | 2845-350      | 2845-350      |
| 26   | Plate, Bezel   | 1539-400      | 1539-400      | 1539-400      | 1539-400      |
| 27   | Door, Bottom   | 2702-1211/A   | 2702-1211/A   | 2702-1211/A   | 2704-1211/A   |
| 28   | Transition-3"  | 2702-3061/A   | 2702-3061/A   | ---           | ---           |
|      | Transition-4"  | ---           | ---           | 2703-3061/A   | 2703-3061/A   |
| 29   | Control Box  | 2702-526/A    | 2702-526/A    | 2702-526/A    | 2702-526/A    |
| 30   | Blower Assembly                                      | 2702-690      | 2703-690      | 2703-690      | 2704-690      |
| 31   | Burner Assembly                                      | 2702-520      | 2702-520      | 2703-520      | 2703-520      |
| 32*  | Diagram, Wiring                                      | 1952-580      | 1952-580      | 1952-580      | 1952-580      |
| 33   | Spacer (Ferrule)                                     | ---           | 023-20541-000 | 023-20541-000 | 023-20541-000 |

**NOTE:** \*Not Shown

New replacement parts shown in **bold** face type at the first printing of parts list dated 4/03.

Major components and suggested stocking items are shown with shaded item number.

"<" Across from row indicates a change in that row.

--- Not applicable to specified model.

\*\* Prior to 8/31/01 Gas Valve part number was 025-31990-000

All parts with three digit suffix numbers are "Special Order" parts. These parts are subject to factory availability and require extra time for delivery.

**Models 10016, 10020, 125, 150**

| ITEM | DESCRIPTION  | BGU10016A     | BGU10020A     | BGU12520A     | BGU15020A     |
|------|--|---------------|---------------|---------------|---------------|
|      |  | 4 BURNER      | 4 BURNER      | 5 BURNER      | 6 BURNER      |
| 1    | Casing, Top Cap                                      | 2704-1711/A   | 2705-1711/A   | 2705-1771/A   | 2705-1771     |
| 2    | Heat Exchanger Assembly                              | 2704-5041/A   | 2704-5031/A   | 2705-5031/A   | 2706-5031/A   |
| 3    | Gasket, Vent Blower                                  | 2702-3051     | 2702-3051     | 2702-3051     | 2702-3051     |
| 4    | Blower, Vent   | 2702-321P     | 2702-321P     | 2702-321P     | 2702-321P     |
| 5    | Tube, Pressure                                       | 6302-4061     | 6302-4061     | 6302-4061     | 6302-4061     |
| 6    | Switch, Pressure                                     | 024-27576-000 | 024-27576-000 | 024-27576-000 | 024-27577-000 |
| 7    | Switch, Roll Out (3 Req'd)                           | 2702-3191     | 2702-3191     | 2702-3191     | 2702-3191     |
| 8    | Rod, Sensor  | 2702-311P     | 2702-311P     | 2702-311P     | 2702-311P     |
| 9    | Ignitor  | 025-32625-000 | 025-32625-000 | 025-32625-000 | 025-32625-000 |
| 10   | Bracket, Ignitor                                     | 2702-1311     | 2702-1311     | 2702-1311     | 2702-1311     |
| 11   | Switch, Limit (Open 155 Deg.)                        | 2702-315P/A   | ---           | ---           | ---           |
|      | Switch, Limit (Open 175 Deg.)                        | ---           | 2702-316P/A   | ---           | ---           |
|      | Switch, Limit (Open 180 Deg.)                        | ---           | ---           | ---           | 2702-338P/A   |
|      | Switch, Limit (Open 190 Deg.)                        | ---           | ---           | 2702-318P/A   | ---           |
| 12   | Switch, Door   | 024-27640-000 | 024-27640-000 | 024-27640-000 | 024-27640-000 |
| 13   | Control, Integrated                                  | 031-01933-000 | 031-01933-000 | 031-01933-000 | 031-01933-000 |
| 14*  | Kit, Wire  | 2702-001/A    | 2702-001/A    | 2702-001/A    | 2702-001/A    |
| 15   | Transformer (40VA)                                   | 2940-3541     | 2940-3541     | 2940-3541     | 2940-3541     |
| 16   | Capacitor (10MFD,370V)                               | 1499-4491     | 1499-4491     | 1499-4491     | 1499-4491     |
| 17   | Wheel, Blower  | 1472-2821     | 1472-2851     | 1472-2851     | 1472-2851     |
|      | #See Notes Below                                     | ---           | 1472-2861     | 1472-2861     | 1472-2861     |
| 18   | Motor, Blower  | 1468-244P     | 1468-245P     | 1468-245P     | 1468-245P     |
| 19   | Mount, 1 PC Motor                                    | 073-19831-001 | 2705-4181     | 2705-4181     | 2705-4181     |
| 20   | Motor Mounts, Rubber (3 Req'd)                       | 028-14740-000 | ---           | ---           | ---           |
|      | Motor Mounts, Rubber (3 per pkg,)                    | ---           | 7670-3551     | 7670-3551     | 7670-3551     |
| 21   | Valve, Gas (**See Note Below)                        | 025-31996-000 | 025-31996-000 | 025-31996-000 | 025-31996-000 |
| 22   | Orifice, Gas (Natural-0-2,000 Ft.)                   | 029-21182-042 | 029-21182-042 | 029-21182-042 | 029-21182-042 |
|      | Orifice, Gas (LP-0-2,000 Ft.)                        | 029-21182-054 | 029-21182-054 | 029-21182-054 | 029-21182-054 |
|      | Orifice, Gas (Natural-High Altitude-2,000-5,000 Ft.) | 029-21182-043 | 029-21182-043 | 029-21182-043 | 029-21182-043 |
|      | Orifice, Gas (Natural-High Altitude-5,000-7,000 Ft.) | 029-21182-044 | 029-21182-044 | 029-21182-044 | 029-21182-044 |
|      | Orifice, Gas (LP-High Altitude-2,000-7,000 Ft.)      | 029-21182-055 | 029-21182-055 | 029-21182-055 | 029-21182-055 |
| 23   | Burner   | 2702-308P     | 2702-308P     | 2702-308P     | 2702-308P     |
| 24   | Door, Top  | 2704-1191/A   | 2705-1191/A   | 2705-1191/A   | 2705-1191/A   |
| 25   | Handle, Door   | 2845-350      | 2845-350      | 2845-350      | 2845-350      |
| 26   | Plate, Bezel   | 1539-400      | 1539-400      | 1539-400      | 1539-400      |
| 27   | Door, Lower  | 2704-1211/A   | 2705-1211/A   | 2705-1211/A   | 2705-1211/A   |
| 28   | Transition-4"  | 2703-3061/A   | 2703-3061/A   | 2703-3061/A   | 2703-3061/A   |
| 29   | Control Box  | 2702-526/A    | 2702-526/A    | 2702-526/A    | 2702-526/A    |
| 30   | Blower Assembly                                      | 2704-690      | 2705-690      | 2705-690      | 2705-690      |
| 31   | Burner Assembly                                      | 2704-520      | 2704-520      | 2705-520      | 2706-520      |
| 32*  | Diagram, Wiring                                      | 1952-580      | 1952-580      | 1952-580      | 1952-580      |
| 33   | Spacer (Ferrule)                                     | 023-20541-000 | ---           | ---           | ---           |

**NOTE:** \*Not Shown

New replacement parts shown in **bold** face type at the first printing of parts list dated 4/03.

Major components and suggested stocking items are shown with shaded item number.

"<" Across from row indicates a change in that row.

--- Not applicable to specified model.

# Both Blower Wheels are used on these Models.

\*\* Prior to 8/31/01 Gas Valve part number was 025-31990-000

All parts with three digit suffix numbers are "Special Order" parts. These parts are subject to factory availability and require extra time for delivery.

| <b>Field Installed Accessories-Non-Electrical</b> |  |                  |
|---|--|------------------|
| <b>Part Number</b>                                | <b>Description</b>                                   | <b>Used With</b> |
| 1FB0318   | Combustible Floor Sub-Base                           | 50, 7512         |
| 1FB0319   |  | 7516,10016       |
| 1FB0320   |  | 10020,125        |
| 1BR0312   | Bottom Filter Rack                                   | 50,7512          |
| 1BR0316   |  | 7516,10016       |
| 1BR0320   |  | 10020,125,150    |
| 1NP0366   | Conversion Kit-Natural Gas to LP Gas                 | All              |
| 1NP0367   | Conversion Kit- Natural Gas to LP Gas- High Altitude |                  |
| 2802-321P   | Vent Pipe Extension                                  |                  |

| <b>Field Installed Accessories-Electrical</b> |  |                  |
|---|--|------------------|
| <b>Part Number</b>                            | <b>Description</b>   | <b>Used With</b> |
| 2TC03700124                                   | Twinning Control   | All              |
| 6TH13701024                                   | Thermostat:One-stage heat, no fan switch                         |                  |
| 6TH07700124                                   | Thermostat:One-stage heat and one-stage cool. Manual changeover. |                  |

**TO ORDER AUTHORIZED FACTORY REPLACEMENT PARTS** - Contact your Source1 HVAC Parts Distributor or visit our website at [www.Source1Parts.com](http://www.Source1Parts.com) for a Distributor and Dealer listing.