



www.Source1Parts.com

P4DN AND G8T DOWNFLOW NATURAL GAS FURNACES (80%) INCLUDING LOW NOX (PG. 5)

HVAC SERVICE PARTS

Supersedes: 035-17406-001 Rev. A (0702)

035-17406-001 Rev. B (1202)

1 of 8

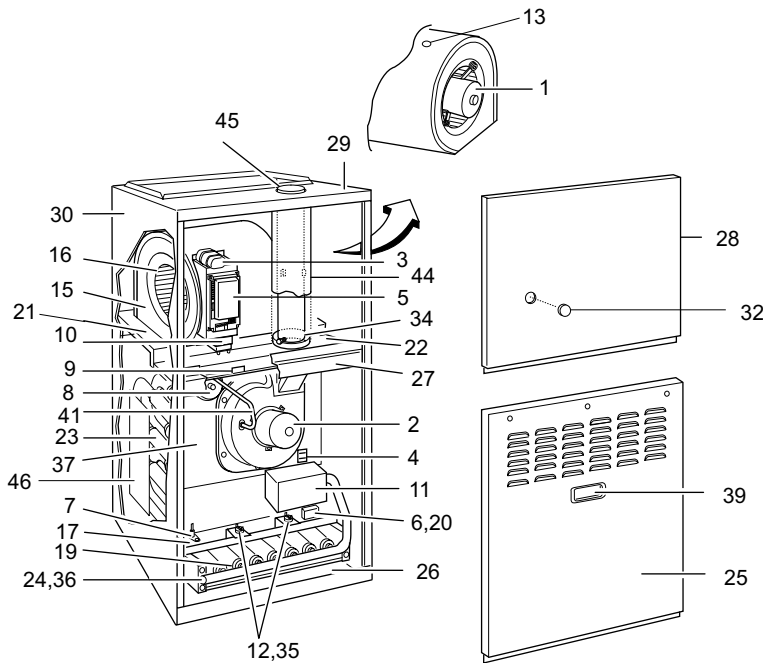


Figure 1: DOWNFLOW NATURAL GAS FURNACES (80%)

FIG	ITEM	DESCRIPTION	MODELS P4DN			
			A12N03201A	A12N04801A	A12N06401A	B16N06401A
			MODELS G8T			
			04012DNA11A (2 BURNER)	06012DNA11A (3 BURNER)	08012DNA11A (4 BURNER)	08016DNB11A (4 BURNER)
MOTOR						
1	1	MOTOR, DIRECT DRIVE BLOWER	024-31969-000	024-31969-000	024-31969-000	024-23211-003
1	2	MOTOR, VENTOR ASS'Y	024-32085-000	024-32085-000	024-32085-000	024-32085-000
ELECTRICAL						
1	3	CAPACITOR (7.5MFD/370V) [RC]	024-20045-000	024-20045-000	024-20045-000	---
		CAPACITOR (10MFD/370V) [RC]	---	---	---	024-20046-000
	4	CONTROL, HIGH LIMIT [LS1]	025-29041-011	025-29041-005	025-29041-005	025-29041-011
1	5	CONTROL, FURNACE [FC]	031-01267-001	031-01267-001	031-01267-001	031-01267-001
1	6	IGNITOR	025-32625-000	025-32625-000	025-32625-000	025-32625-000
1,2	7	SENSOR, FLAME	025-27773-000	025-27773-000	025-27773-000	025-27773-000
1	8	SWITCH, AIR PRESSURE [1LP]	024-27628-001	024-27628-001	024-27629-001	024-27629-001
1	9	SWITCH, DOOR [SW]	024-31943-000	024-31943-000	024-31943-000	024-31943-000
1	10	TRANSFORMER	025-30889-000	025-30889-000	025-30889-000	025-30889-000
1,2	11	VALVE, GAS	025-37426-000	025-37426-000	025-37426-000	025-37426-000
1,2	12	CONTROL, LIMIT (Blower) [ROS1]	025-27747-016	025-27747-016	025-27747-016	025-27747-016
1	13	CONTROL, AUXILIARY LIMIT [LS2]	025-35378-000	025-35378-000	025-35378-000	025-35378-000
*	14	FUSE	025-32746-026	025-32746-026	025-32746-026	025-32746-026
AIR MOVING						
1	15	HOUSING, BLOWER	373-17827-001	373-17827-001	373-17827-001	373-17829-001
1	16	WHEEL, BLOWER	026-34005-000	026-34005-000	026-34005-000	026-19654-014

NOTE: *Not Shown

New replacement parts shown in **bold** face type at the first printing of parts list dated 12/02.

Major components and suggested stocking items are shown with shaded item number.

"<" Across from row indicates a change in that row.

--- Not applicable to specified model.

DOWNFLOW NATURAL GAS FURNACES (80%)

FIG	ITEM	DESCRIPTION	MODELS P4DN			
			A12N03201A	A12N04801A	A12N06401A	B16N06401A
			MODELS G8T			
			04012DNA11A (2 BURNER)	06012DNA11A (3 BURNER)	08012DNA11A (4 BURNER)	08016DNB11A (4 BURNER)
FABRICATED PARTS						
1	17	SHIELD, SECONDARY AIR	073-17404-002	073-17404-003	073-17404-004	073-17404-004
*	18	BAFFLE, FLUE	073-17775-001	073-17775-001	073-17775-002	073-17775-002
1,2	19	BURNER, MAIN GAS	029-20482-000	029-20482-000	029-20482-000	029-20482-000
1	20	BRACKET, IGNITOR	073-17403-000	073-17403-000	073-17403-000	073-17403-000
1	21	DECK, BLOWER (Rear)	073-17502-001	073-17502-001	073-17502-001	073-17503-001
1	22	DECK, FRONT	073-18247-002	073-18247-002	073-18247-002	073-20997-000
1	23	HEAT EXCHANGER ASS'Y (Primary)	028-17519-002	373-17519-003	373-17519-004	373-17519-008
1,2	24	MANIFOLD, GAS	029-22114-001	029-22114-002	029-22114-003	029-22114-003
1	25	PANEL, FRONT (Burner)	073-22302-001	073-22302-001	073-22302-001	073-22302-002
1	26	PANEL, BASE	073-17518-001	073-17518-001	073-17518-001	073-17518-002
1	27	BRACKET, DOOR	073-18202-001	073-18202-001	073-18202-001	073-18202-002
1	28	PANEL, FRONT (Blower)	073-17880-001	073-17880-001	073-17880-001	073-17880-002
1	29	PANEL, TOP	073-17517-002	073-17517-002	073-17517-002	073-17517-003
1	30	WRAPPER P4D	373-21109-001	373-21109-001	373-21109-001	373-21109-002
		WRAPPER G8T	373-17511-001	373-17511-001	373-17511-001	373-17511-002
*	31	FILTER (2 Req'd)	026-23050-004	026-23050-004	026-23050-004	026-23050-004
		FILTER SIZE	(1 X 14 X 20)	(1 X 14 X 20)	(1 X 14 X 20)	(1 X 14 X 20)
1	32	PLUG, WINDOW, CLEAR - .875"	025-30899-000	025-30899-000	025-30899-000	025-30899-000
	33					
1	34	GASKET, VENT PIPE	013-02905-000	013-02905-000	013-02905-000	013-02905-000
2	35	BRACKET, ROLL-OUT SWITCH	073-12033-000	073-12033-000	073-12033-000	073-12033-000
MISCELLANEOUS						
1,2	36	ORIFICE, BURNER (Natural #45)	029-21182-045	029-21182-045	029-21182-045	029-21182-045
1	37	PLATE, RESTRICTOR	073-17777-109	073-17777-144	073-17487-159	073-17785-159
*1	38	COLLAR, FLUE	073-22222-000	073-22222-000	073-22222-000	073-22222-000
1	39	HANDLE, DOOR	029-22113-000	029-22113-000	029-22113-000	029-22113-000
*	40	GASKET, RESTRICTOR PLATE	028-13258-000	028-13258-000	028-13259-000	028-13281-000
1	41	TUBING, SILICONE	028-12499-000	028-12499-000	028-12499-000	028-12499-000
*	42	WIRING DIAGRAM	035-17403-000	035-17403-000	035-17403-000	035-17403-000
*	43	WIRING HARNESS	373-22270-001	373-22270-001	373-22270-001	373-22270-002
1	44	HOUSING FLUE	026-35453-002	026-35453-002	026-35453-002	026-35453-002
1	45	VENT PIPE	026-37300-002	026-37300-002	026-37300-002	026-37300-002
1	46	RETAINER, INSULATION	073-18035-001	073-18035-001	073-18035-001	073-18035-002
	47					
	48					
*	49	MOTOR MOUNT	---	---	---	026-31459-000
*	50	ISOLATOR, TUBE (3 Req'd)	---	---	---	028-09412-001
*	51	ISOLATOR, WASHER (3 Req'd)	---	---	---	028-09412-002
*	52	ISOLATOR, SLEEVE (3 Req'd)	---	---	---	028-09412-003

NOTE: *Not Shown

New replacement parts shown in **bold** face type at the first printing of parts list dated 12/02.

Major components and suggested stocking items are shown with shaded item number.

"←" Across from row indicates a change in that row.

--- Not applicable to specified model.



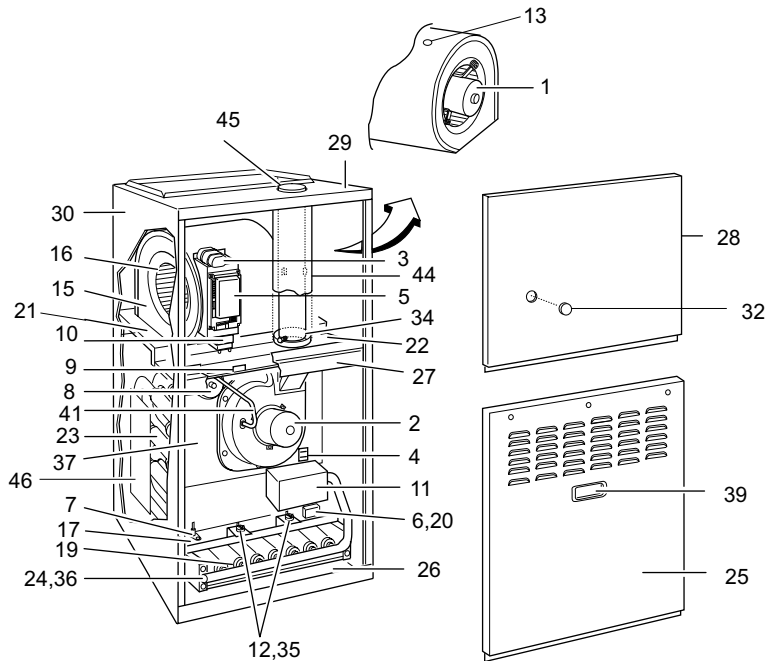


Figure 1: DOWNFLOW NATURAL GAS FURNACES (80%)

FIG	ITEM	DESCRIPTION	MODELS P4DN				
			B12N08001A	C20N08001A	C16N09201A	C20N09201A	D20N010401A
			MODELS G8T				
			10012DNB11A (5 BURNER)	10020DNC11A (5 BURNER)	11516DNC11A (6 BURNER)	11520DNC11A (6 BURNER)	13020DND11A (7 BURNER)
MOTOR							
1	1	MOTOR, DIRECT DRIVE BLOWER	024-25110-000	024-23238-001	024-23211-003	024-23238-001	024-23238-001
1	2	MOTOR, VENTOR ASS'Y	024-32085-000	024-32085-000	024-32085-000	024-32085-000	024-32085-000
ELECTRICAL							
1	3	CAPACITOR (7.5MFD/370V)[RC]	024-20045-000	---	---	---	---
		CAPACITOR (10MFD/370V) [RC]	---	024-20046-000	024-20045-000	---	---
		CAPACITOR (15MFD/370V) [RC]	---	---	---	024-20446-000	024-20446-000
1	4	CONTROL, HIGH LIMIT [LS1]	025-29041-004	025-29041-002	025-29041-004	025-29041-002	025-29041-011
1	5	CONTROL, FURNACE [FC]	031-01267-001	031-01267-001	031-01267-001	031-01267-001	031-01267-001
1	6	IGNITOR	025-32625-000	025-32625-000	025-32625-000	025-32625-000	025-32625-000
1,2	7	SENSOR, FLAME	025-27773-000	025-27773-000	025-27773-000	025-27773-000	025-27773-000
1	8	SWITCH, AIR PRESSURE [1LP]	024-27630-001	024-27630-001	024-27630-001	024-27630-001	024-27630-001
1	9	SWITCH, DOOR [SW]	024-31943-000	024-31943-000	024-31943-000	024-31943-000	024-31943-000
1	10	TRANSFORMER	025-30889-000	025-30889-000	025-30889-000	025-30889-000	025-30889-000
1,2	11	VALVE, GAS	025-37426-000	025-37426-000	025-37426-000	025-37426-000	025-37426-000
1,2	12	CONTROL, LIMIT (Blower)[ROS1,2]	025-27747-018	025-27747-018	025-27747-018	025-27747-018	025-27747-018
1	13	CONTROL, AUXILIARY LIMIT	025-35378-000	025-35378-000	025-35378-000	025-35378-000	025-35378-000
*	14	FUSE	025-32746-026	025-32746-026	025-32746-026	025-32746-026	025-32746-026
AIR MOVING							
1	15	HOUSING, BLOWER	373-17827-001	373-17829-001	373-17829-001	373-17829-001	373-17829-001
1	16	WHEEL, BLOWER	026-19654-003	026-19654-014	026-19654-014	026-19654-014	026-19654-014

NOTE: *Not Shown

New replacement parts shown in **bold** face type at the first printing of parts list code dated 12/02.

Major components and suggested stocking items are shown with shaded item number

"<" Across from row indicates a change in that row.

--- Not applicable to specified model.

DOWNFLOW NATURAL GAS FURNACES (80%)

FIG	ITEM	DESCRIPTION	MODELS P4DN				
			B12N08001A	C20N08001A	C16N09201A	C20N09201A	D20N014011 A
			MODELS G8T				
			10012DNB11 A (5 BURNER)	10020DNC11 A (5 BURNER)	11516DNC11 A (6 BURNER)	11520DNC11 A (6 BURNER)	13020DND11 A (7 BURNER)
FABRICATED PARTS							
1	17	SHIELD, SECONDARY AIR	073-17404-005	073-17404-005	073-17404-006	073-17404-006	073-17404-007
*	18	BAFFLE, FLUE	073-17775-003	073-17775-003	073-17775-004	073-17775-004	073-17775-005
1,2	19	BURNER, MAIN GAS	029-20482-000	029-20482-000	029-20482-000	029-20482-000	029-20482-000
1	20	BRACKET, IGNITOR	073-17403-000	073-17403-000	073-17403-000	073-17403-000	073-17403-000
1	21	DECK, BLOWER (Rear)	073-12081-000	073-12082-000	073-12082-000	073-12082-000	073-12083-000
1	22	DECK, FRONT	073-20997-000	073-20998-000	073-20998-000	073-20998-000	073-20999-000
1	23	HEAT EXCHANGER ASS'Y (Primary)	373-17519-005	373-17519-009	373-17519-006	373-17519-006	373-17519-007
1,2	24	MANIFOLD, GAS	029-22114-004	029-22114-004	029-22114-005	029-22114-005	029-22114-006
1	25	PANEL, FRONT (Burner)	073-22302-002	073-22302-003	073-22302-003	073-22302-003	073-22302-004
1	26	PANEL, BASE	073-17518-002	073-17518-003	073-17518-003	073-17518-003	073-17518-004
1	27	BRACKET, DOOR	073-18202-002	073-18202-003	073-18202-003	073-18202-003	073-18202-004
1	28	PANEL, FRONT (Blower)	073-17880-002	073-17880-003	073-17880-003	073-17880-003	073-17880-004
1	29	PANEL, TOP	073-17517-003	073-17517-004	073-17517-004	073-17517-004	073-17517-005
1	30	WRAPPER P4D	373-21109-002	373-21109-003	373-21109-003	373-21109-003	373-21109-004
		WRAPPER G8T	373-17511-002	373-17511-003	373-17511-003	373-17511-003	373-17511-004
*	31	FILTER (2 Req'd)	026-23050-004	026-23050-004	026-23050-004	026-23050-004	026-23050-004
		FILTER SIZE	(1 X 14 X 20)	(1 X 14 X 20)	(1 X 14 X 20)	(1 X 14 X 20)	(1 X 14 X 20)
1	32	PLUG, WINDOW, CLEAR - .875"	025-30899-000	025-30899-000	025-30899-000	025-30899-000	025-30899-000
	33						
1	34	GASKET, VENT PIPE	013-02905-000	013-02905-000	013-02905-000	013-02905-000	013-02905-000
1,2	35	BRACKET, ROLL-OUT SWITCH	073-12033-000	073-12033-000	073-12033-000	073-12033-000	073-12033-000
MISCELLANEOUS							
1,2	36	ORIFICE, BURNER (Natural #45)	029-21182-045	029-21182-045	029-21182-045	029-21182-045	029-21182-045
1	37	PLATE, RESTRICTOR	073-17488-172	073-17787-172	073-17489-184	073-17489-184	073-17490-194
*	38	COLLAR, FLUE	073-22222-000	073-22222-000	073-22222-000	073-22222-000	073-22222-000
1	39	HANDLE, DOOR	029-22113-000	029-22113-000	029-22113-000	029-22113-000	029-22113-000
*	40	GASKET, RESTRICTOR PLATE	028-13260-000	028-13283-000	028-13261-000	028-13261-000	028-13262-000
1	41	TUBING, SILICONE	028-12499-000	028-12499-000	028-12499-000	028-12499-000	028-12499-000
*	42	WIRING DIAGRAM	035-17403-000	035-17403-000	035-17403-000	035-17403-000	035-17403-000
*	43	WIRING HARNESS	373-22270-002	373-22270-002	373-22270-003	373-22270-003	373-22270-003
1	44	HOUSING, FLUE	026-35453-002	026-35453-002	026-35453-002	026-35453-002	026-35453-002
1	45	VENT PIPE	026-37300-002	026-37300-002	026-37300-002	026-37300-002	026-37300-002
1	46	RETAINER, INSULATION	073-18035-002	073-18035-003	073-18035-003	073-18035-003	073-18035-004
	47						
	48						
*	49	MOTOR MOUNT	026-31480-000	026-31459-000	026-31459-000	026-31459-000	026-31459-000
*	50	ISOLATOR, TUBE (3 Req'd)	028-09412-001	028-09412-001	028-09412-001	028-09412-001	028-09412-001
*	51	ISOLATOR, WASHER (3 Req'd)	028-09412-002	028-09412-002	028-09412-002	028-09412-002	028-09412-002
*	52	ISOLATOR,SLEEVE (3 Req'd)	028-09412-003	028-09412-003	028-09412-003	028-09412-003	028-09412-003

NOTE: *Not Shown

New replacement parts shown in **bold** face type at the first printing of parts list dated 12/02.

Major components and suggested stocking items are shown with shaded item number.

"←" Across from row indicates a change in that row.

--- Not applicable to specified model.

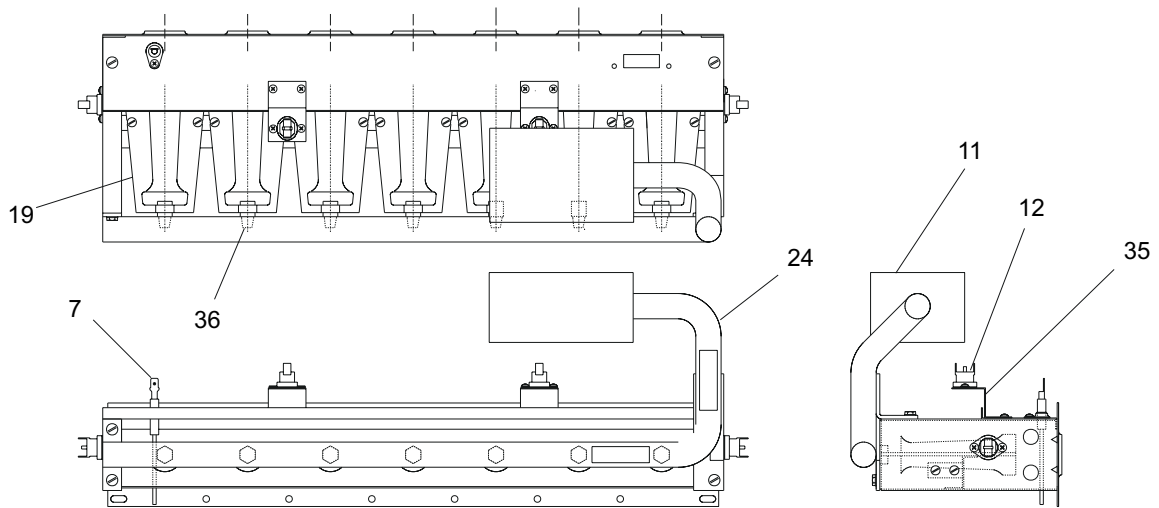


Figure 2: GAS CONTROLS

P4DN AND G8T “LOW NOX” UNITS ARE THE SAME AS THE “STANDARD” UNITS EXCEPT FOR THE FOLLOWING PARTS.				
MODEL NO.	PLATE, RESTRICTOR	QTY.	SCREEN, BURNER	QTY.
P4DNA12L03201A / L8T04012DNA11A	073-17777-109	1	026-35452-000	2
P4DNA12L04801A / L8T06012DNA11A	073-17777-144	1	026-35452-000	3
P4DNA12L06401A / L8T08012DNA11A	073-17487-172	1	026-35452-000	4
P4DNB16L06401A / L8T08016DNB11A	073-17785-172	1	026-35452-000	4
P4DNB12L08001A / L8T10012DNB11A	073-17488-184	1	026-35452-000	5
P4DNC20L08001A / L8T10020DNC11A	073-17787-184	1	026-35452-000	5
P4DNC16L09201A	073-17489-197	1	026-35452-000	6
P4DNC20L09201A / L8T11520DNC11A	073-17489-197	1	026-35452-000	6
P4DND20L10401A / L8T13020DND11A	073-17490-213	1	026-35452-000	7

FIELD INSTALLED ACCESSORIES - NON ELECTRICAL		
MODEL NO.	DESCRIPTION	USED WITH
1NP0347	PROPANE (LP) CONVERSION KIT	P4DN032,064,080
		G8T040,080,100
1NP0348		P4DN48,092,104
		G8T060,115,130
1PS0301	HIGH ALTITUDE PRESSURE SWITCH KIT (Does Not Include Orifices)	SEE TABLE BELOW
1PS0302		
1PS0311		
1PS0312		
1BR0314	External Bottom Return Filter, with High Velocity Filter for Horizontal Application for Upflow Bottom Return Application.	14-1/2" CABINETS
1BR0317		17-1/2" CABINETS
1BR0321		21" CABINETS
1BR0324		24-1/2" CABINETS
1CB0314	COMBUSTIBLE FLOOR BASE FOR DOWNFLOW UNITS	14-1/2" CABINETS
1CB0317		17-1/2" CABINETS
1CB0321		21" CABINETS
1CB0324		24-1/2" CABINETS
1SR0302	EXTERNAL SIDE FILTER RACK - WITH FILTER RACK (6 pack)	ALL MODELS

FIELD INSTALLED ACCESSORIES - ELECTRICAL		
MODEL NO.	DESCRIPTION	USED WITH
2TB17700424	SUBBASE (24V) -One-stage Heat / Cool. Manual changeover. System Switch: Cool-Off-Heat. Fan Switch: Auto-On.	ALL MODELS
2TH13700424	THERMOSTAT-One-stage Heat. Deluxe 24V with heat only subbase, does not include fan switch. NOTE: For one-stage cool or one-stage heat/cool, must be used with subbase 2TB17700424.	ALL P4D MODELS
2ET03700324	THERMOSTAT- Hardwired, 1Heat / 1 Cool. Manual changeover, System Switch: Cool-Off-Heat. Fan Switch: Auto-On.	ALL P4D MODELS
6ET03700324		ALL G8T MODELS
2ET03701224	THERMOSTAT-Power Stealing, 1Heat / 1 Cool. Manual changeover, System Switch: Cool-Off-Heat. Fan Switch: Auto-On.	ALL P4D MODELS
6ET03701224		ALL G8T MODELS
2ET03700124	THERMOSTAT-Hardwired, 1 Heat / 1Cool. Programmable, Auto changeove. System Switch: Cool-Off-Heat. Fan Switch: Auto-On.	ALL P4D MODELS
6ET03700124		ALL G8T MODELS
2ET03701024	THERMOSTAT-Power Stealing,1 Heat / 1 Cool. Programmable, Auto changeover. System Switch:Cool-Off-Heat. Fan Switch: Auto-On.	ALL P4D MODELS
6ET03701024		ALL G8T MODELS
2TC03700124	TWINNING CONTROL	ALL MODELS

HIGH PRESSURE SWITCH			
Input (MBH)	Output (MBH)	2,000 Ft. to 5,500 Ft.	>5,500 Ft. to10,000 Ft.
40	32	1PS0301	1PS0301
60	48	1PS0301	1PS0301
80	64	1PS0302	1PS0302
100	80	1PS0312	1PS0311
115	92	1PS0312	1PS0311
130	104	1PS0312	1PS0311

NOTES

TO ORDER AUTHORIZED FACTORY REPLACEMENT PARTS - Contact your Source1 HVAC Parts Distributor or visit our website at **www.Source1Parts.com** for a Distributor and Dealer listing.

Subject to change without notice. Printed in U.S.A.
Copyright © by York International Corp. 2002. All rights reserved.

035-17406-001 Rev. B (1202)
Supersedes: 035-17406-001 Rev. A (0702)

Unitary Products Group	5005 York Drive	Norman OK 73069
---------------------------------------	--------------------------------	--------------------------------