



www.Source1Parts.com

P4HU AND G8T MULTI-POSITION (80%) NATURAL GAS FURNACES (STYLE A & B) INCLUDING LOW NOX (PG. 7)

HVAC SERVICE PARTS

Supersedes: 035-15831-005 Rev. A (0304)

035-15831-005 Rev. B (0404)

1 of 8

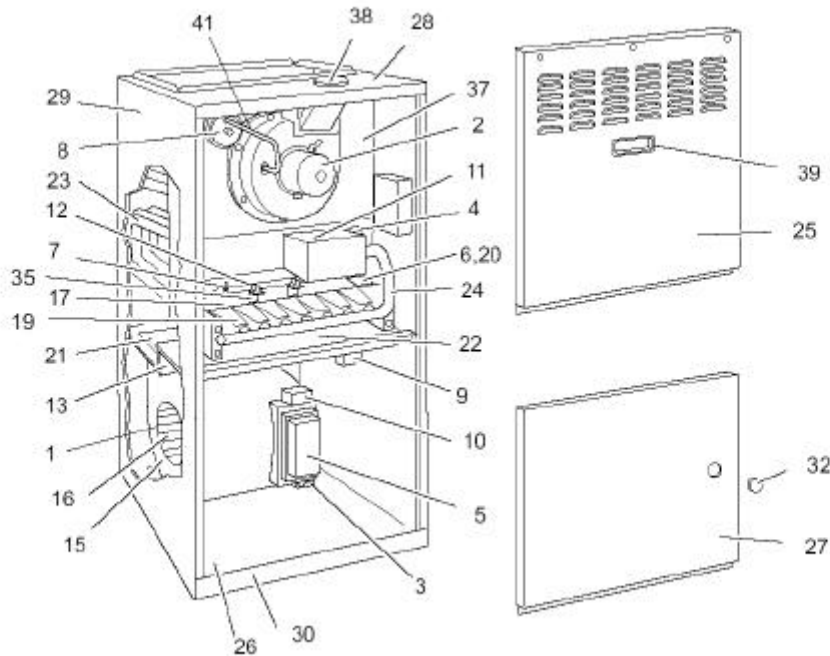


Figure 1: MULTI-POSITION NATURAL GAS FURNACES (80%)

FIG	ITEM	DESCRIPTION	MODELS P4HU			
			A12N03201A	A12N04801A	A12N06401A	B16N06401A
			MODELS G8T			
			04012UHA11A (2 BURNER)	06012UHA11A (3 BURNER)	08012UHA11A (4 BURNER)	08016UHB11A (4 BURNER)
MOTOR						
1	1	MOTOR, DIRECT DRIVE BLOWER	024-31969-000	024-31969-000	024-31969-000	024-26002-000
1	2	MOTOR, VENTOR ASS'Y	024-32085-000	024-32085-000	024-32085-000	024-32085-000
ELECTRICAL						
1	3	CAPACITOR (7.5MFD/370V) [RC]	024-20045-000	024-20045-000	024-20045-000	---
		CAPACITOR (10MFD/370V) [RC]	---	---	---	024-20046-000
1	4	CONTROL, HIGH LIMIT [LS1]	025-29041-011	025-29041-002	025-29041-005	025-29041-005
1	5	CONTROL, FURNACE [FC]	031-01267-001	031-01267-001	031-01267-001	031-01267-001
1	6	IGNITER	025-32625-000	025-32625-000	025-32625-000	025-32625-000
1,2	7	SENSOR, FLAME	025-27773-000	025-27773-000	025-27773-000	025-27773-000
1	8	SWITCH, AIR PRESSURE [1LP]	024-27628-001	024-27629-001	024-27629-001	024-27629-001
1	9	SWITCH, DOOR [SW]	024-31943-000	024-31943-000	024-31943-000	024-31943-000
1	10	TRANSFORMER	025-30889-000	025-30889-000	025-30889-000	025-30889-000
1,2	11	VALVE, GAS	025-37426-000	025-37426-000	025-37426-000	025-37426-000
1,2	12	CONTROL, LIMIT (Top) [ROS3]	025-27747-016	025-27747-016	025-27747-016	025-27747-016
*	12A	CONTROL, LIMIT (Side, 2 Req'd) [ROS1,2]	025-27792-009	025-27792-009	025-27792-009	025-27792-009
1	13	CONTROL, AUXILARY LIMIT (2 Req'd) [S2,LS3]	025-30321-000	025-30321-000	025-30321-000	025-30321-000
*	14	FUSE	025-32746-026	025-32746-026	025-32746-026	025-32746-026
AIR MOVING						
1	15	HOUSING, BLOWER	373-17827-001	373-17827-001	373-17827-001	373-17829-002
1	16	WHEEL, BLOWER	026-35497-000	026-35497-000	026-35497-000	026-19654-009

NOTE: *Not Shown

New replacement parts shown in **bold** face type at the first printing of parts list dated 4/04.

Major components and suggested stocking items are shown with shaded item number.

"<" Across from row indicates a change in that row.

--- Not applicable to specified model.



FIG	ITEM	DESCRIPTION	MODELS P4HU			
			A12N03201A	A12N04801A	A12N06401A	B16N06401A
			MODELS G8T			
			04012UHA11A (2 BURNER)	06012UHA11A (3 BURNER)	08012UHA11A (4 BURNER)	08016UHB11A (4 BURNER)
FABRICATED PARTS						
1	17	SHIELD, SECONDARY AIR	073-17404-002	073-17404-003	073-17404-004	073-17404-004
*	18	BAFFLE, FLUE	073-17775-001	073-17775-001	073-17775-002	073-17775-002
1,2	19	BURNER, MAIN GAS	029-20482-000	029-20482-000	029-20482-000	029-20482-000
1	20	BRACKET, IGNITER	073-17403-000	073-17403-000	073-17403-000	073-17403-000
1	21	DECK, BLOWER (Rear)	073-17502-002	073-17502-002	073-17502-002	073-12081-001
1	22	DECK, FRONT	073-17496-000	073-17496-000	073-17496-000	07317497-000
1	23	HEAT EXCHANGER ASS'Y (Primary)	373-17477-002	373-17477-003	373-17477-004	373-17477-008
1,2	24	MANIFOLD, GAS	029-22114-001	029-22114-002	029-22114-003	029-22114-003
1	25	PANEL, FRONT (Burner)	073-22302-001	073-22302-001	073-22302-001	073-22302-002
1	26	PAN, BASE	073-17504-001	073-17504-001	073-17504-001	073-17504-002
1	27	PANEL, FRONT (Blower)	073-17522-001	073-17522-001	073-17522-001	073-17522-002
1	28	PANEL, TOP	073-17491-002	073-17491-002	073-17491-002	073-17492-000
1	29	WRAPPER P4HU	373-20778-001	373-20778-001	373-20778-001	373-20778-002
		WRAPPER G8T	373-17476-001	373-17476-001	373-17476-001	373-17476-002
1	30	CHANNEL, TOE PLATE	073-12062-005	073-12062-005	073-12062-005	073-12062-002
*	31	FILTER	026-28048-001	026-28048-001	026-28048-001	026-28048-001
		FILTER SIZE	(1 X 16 X 26)	(1 X 16 X 26)	(1 X 16 X 26)	(1 X 16 X 26)
1	32	PLUG, WINDOW, CLEAR - .875"	025-30899-000	025-30899-000	025-30899-000	025-30899-000
*	33	RETAINER, FILTER	026-28040-000	026-28040-000	026-28040-000	026-28040-000
*	34	CLIP, SPRING (Filter Retainer) (2 Req'd)	021-16017-000	021-16017-000	021-16017-000	021-16017-000
1,2	35	BRACKET, ROLL-OUT SWITCH	073-12033-000	073-12033-000	073-12033-000	073-12033-000
MISCELLANEOUS						
2	36	ORIFICE, BURNER (Natural #45)	029-21182-045	029-21182-045	029-21182-045	029-21182-045
1	37	PLATE, RESTRICTOR	073-17777-109	073-17777-144	073-17487-159	073-17785-159
1	38	COLLAR, FLUE	073-17507-000	073-17507-000	073-17507-000	073-17507-000
1	39	HANDLE, DOOR	029-22113-000	029-22113-000	029-22113-000	029-22113-000
*	40	GASKET, RESTRICTOR PLATE	028-13258-000	028-13258-000	028-13259-000	028-13281-000
1	41	TUBING, SILICONE	028-12499-000	028-12499-000	028-12499-000	028-12499-000
*	42	SPRING, DOOR	029-22119-000	029-22119-000	029-22119-000	029-22119-000
*	43	WIRING DIAGRAM	035-19658-001	035-19658-001	035-19658-001	035-19658-001
*	44	WIRING HARNESS	373-22269-001	373-22269-001	373-22269-001	373-22269-002
	45					
	46					
*	47	ISOLATOR, TUBE (3 Req'd)	---	---	---	028-09412-001
*	48	ISOLATOR, WASHER (3 Req'd)	---	---	---	028-09412-002
*	49	ISOLATOR, SLEEVE (3 Req'd)	---	---	---	028-09412-003
*	50	MOTOR MOUNT	---	---	---	026-31459-000
*	51	SHIELD, INDUCER (SEE PAGE 7)	073-19852-100	073-19852-100	073-19852-100	073-19852-100

NOTE: *Not Shown

New replacement parts shown in **bold** face type at the first printing of parts list dated 4/04.

Major components and suggested stocking items are shown with shaded item number.

"←" Across from row indicates a change in that row.

--- Not applicable to specified model.

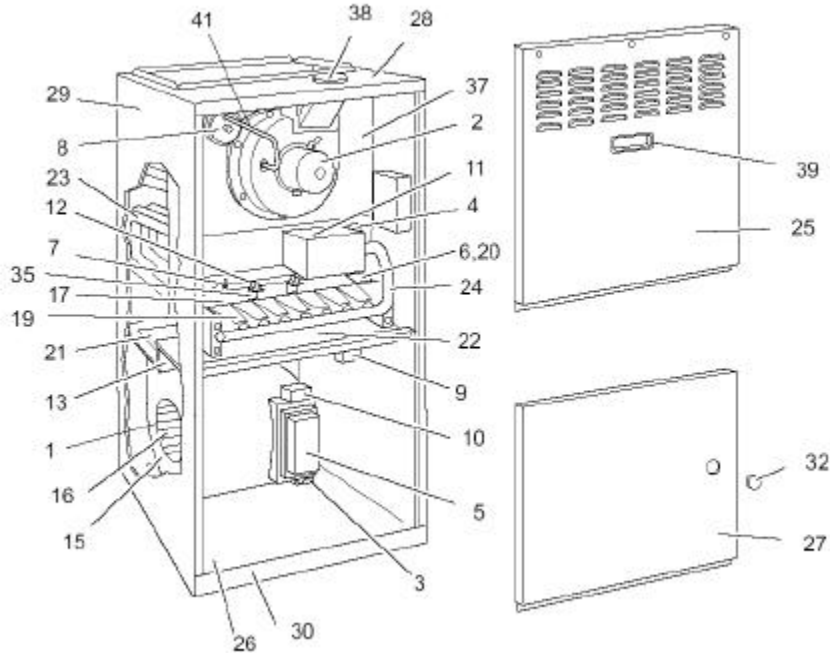


Figure 1: MULTI-POSITION NATURAL GAS FURNACES (80%)

FIG	ITEM	DESCRIPTION	MODELS P4HU			
			C20N06401A	B12N08001A	B16N08001A	C20N08001A
			MODELS G8T			
			08020UHC11A (4 BURNER)	10012UHB11A (5 BURNER)	10016UHB11A (5 BURNER)	10020UHC11A (5 BURNER)
MOTOR						
1	1	MOTOR,DIRECT DRIVE BLOWER	024-23238-001 (See Note 6 Below)	024-25110-000	024-27540-000	024-23238-001
1	2	MOTOR,VENTOR ASS'Y	024-32085-000	024-32085-000	024-32085-000	024-32085-000
ELECTRICAL						
1	3	CAPACITOR (7.5MFD/370V) [RC]	---	024-20045-000	---	---
		CAPACITOR (10MFD/370V) [RC]	---	---	024-20046-000	---
		CAPACITOR (15MFD/370V) [RC]	024-20446-000	---	---	024-20446-000
1	4	CONTROL, HIGH LIMIT [LS1]	025-29041-005	025-29041-005	025-29041-005	025-29041-002
1	5	CONTROL, FURNACE [FC]	031-01267-001	031-01267-001	031-01267-001	031-01267-001
1	6	IGNITeR	025-32625-000	025-32625-000	025-32625-000	025-32625-000
1,2	7	SENSOR, FLAME	025-27773-000	025-27773-000	025-27773-000	025-27773-000
1	8	SWITCH, AIR PRESSURE [1LP]	024-27629-001	024-27630-001	024-27630-001	024-27630-001
1	9	SWITCH, DOOR [SW]	024-31943-000	024-31943-000	024-31943-000	024-31943-000
1	10	TRANSFORMER	025-30889-000	025-30889-000	025-30889-000	025-30889-000
1,2	11	VALVE, GAS	025-37426-000	025-37426-000	025-37426-000	025-37426-000
1,2	12	CONTROL, LIMIT (Top) [ROS3]	025-27747-016	025-27747-018	025-27747-018	025-27747-018
*	12A	CONTROL, LIMIT (Side) (2 Req'd) [ROS1,2]	025-27792-009	025-27792-009	025-27792-009	025-27792-009
2	13	CONTROL, AUXILARY LIMIT (2 Req'd) [LS2,3]	025-30321-000	025-30321-000	025-30321-000	025-30321-000
*	14	FUSE	025-32746-026	025-32746-026	025-32746-026	025-32746-026
AIR MOVING						
1	15	HOUSING, BLOWER	373-17829-001	373-17827-001	373-17828-001	373-17829-001
1	16	WHEEL, BLOWER	026-19654-014	026-19654-003	026-19654-005	026-19654-014

NOTE: *Not Shown

New replacemnt parts shown in **bold** face type at the first printing of parts list code dated 4/04.

Major components and suggested stocking items are shown with shaded item number

"<" Across from row indicates a change in that row.

--- Not applicable to specified model.

6 These 20,000 CFM Furnaces can be upgraded to 22,000 CFM by replacing the blower motor with part no. 024-32056-000.

FIG	ITEM	DESCRIPTION	MODELS P4HU			
			C20N06401A	B12N08001A	B16N08001A	C20N08001A
			MODELS G8T			
			08020UHC11A (4 BURNER)	10012UHB11A (5 BURNER)	10016UHB11A (5 BURNER)	10020UHC11A (5 BURNER)
FABRICATED PARTS						
1	17	SHIELD, SECONDARY AIR	073-17404-004	073-17404-005	073-17404-005	073-17404-005
*	18	BAFFLE, FLUE	073-17775-002	073-17775-003	073-17775-003	073-17775-003
1,2	19	BURNER, MAIN GAS	029-20482-000	029-20482-000	029-20482-000	029-20482-000
1	20	BRACKET, IGNITER	073-17403-000	073-17403-000	073-17403-000	073-17403-000
1	21	DECK, BLOWER (Rear)	073-12082-001	073-12081-001	073-17503-002	073-12082-001
1	22	DECK, FRONT	073-17498-000	073-17497-000	073-17497-000	073-17498-000
1	23	HEAT EXCHANGER ASS'Y (Primary)	373-17477-009	373-17477-005	373-17477-005	373-17477-010
2	24	MANIFOLD, GAS	029-22114-003	029-22114-004	029-22114-004	029-22114-004
1	25	PANEL, FRONT (Burner)	073-22302-003	073-22302-002	073-22302-002	073-22302-003
1	26	PAN, BASE	073-17504-003	073-17504-002	073-17504-002	073-17504-003
1	27	PANEL, FRONT (Blower)	073-17522-003	073-17522-002	073-17522-002	073-17522-003
1	28	PANEL, TOP	073-17493-000	073-17492-000	073-17492-000	073-17493-000
1	29	WRAPPER P4HU	373-20778-003	373-20778-002	373-20778-002	373-20778-003
		WRAPPER G8T	373-17476-003	373-17476-002	373-17476-002	373-17476-003
1	30	CHANNEL, TOE PLATE	073-12062-003	073-12062-002	073-12062-002	073-12062-003
*	31	FILTER	026-28048-003	026-28048-001	026-28048-001	026-28048-003
		FILTER SIZE	(1 X 20 X 26)	(1 X 16 X 26)	(1 X 16 X 26)	(1 X 20 X 26)
1	32	PLUG, WINDOW, CLEAR - .875"	025-30899-000	025-30899-000	025-30899-000	025-30899-000
*	33	RETAINER, FILTER	026-28040-000	026-28040-000	026-28040-000	026-28040-000
*	34	CLIP, SPRING (Filter Retainer) (2 Req'd)	021-16017-000	021-16017-000	021-16017-000	021-16017-000
1,2	35	BRACKET, ROLL-OUT SWITCH	073-12033-000	073-12033-000	073-12033-000	073-12033-000
MISCELLANEOUS						
2	36	ORIFICE, BURNER (Natural #45)	029-21182-045	029-21182-045	029-21182-045	029-21182-045
1	37	PLATE, RESTRICTOR	073-17786-159	073-17488-172	073-17488-172	073-17787-172
1	38	COLLAR, FLUE	073-17507-000	073-17507-000	073-17507-000	073-17507-000
1	39	HANDLE, DOOR	029-22113-000	029-22113-000	029-22113-000	029-22113-000
*	40	GASKET, RESTRICTOR PLATE	028-13282-000	028-13260-000	028-13260-000	028-13283-000
1	41	TUBING, SILICONE	028-12499-000	028-12499-000	028-12499-000	028-12499-000
*	42	SPRING, DOOR	029-22119-000	029-22119-000	029-22119-000	029-22119-000
*	43	WIRING DIAGRAM	035-19658-001	035-19658-001	035-19658-001	035-19658-001
*	44	WIRING HARNESS	373-22269-002	373-22269-002	373-22269-002	373-22269-002
	45					
	46					
*	47	ISOLATOR, TUBE (3 Req'd)	028-09412-001	028-09412-001	028-09412-001	028-09412-001
*	48	ISOLATOR, WASHER (3 Req'd)	028-09412-002	028-09412-002	028-09412-002	028-09412-002
*	49	ISOLATOR, SLEEVE (3 Req'd)	028-09412-003	028-09412-003	028-09412-003	028-09412-003
*	50	MOTOR MOUNT	026-31459-000	026-31480-000	026-31480-000	026-31459-000
*	51	SHIELD, INDUCER (SEE PAGE 7)	073-19852-100	073-19852-100	073-19852-100	073-19852-100

NOTE: *Not Shown

New replacement parts shown in **bold** face type at the first printing of parts list dated 4/04.

Major components and suggested stocking items are shown with shaded item number.

"←" Across from row indicates a change in that row.

--- Not applicable to specified model.

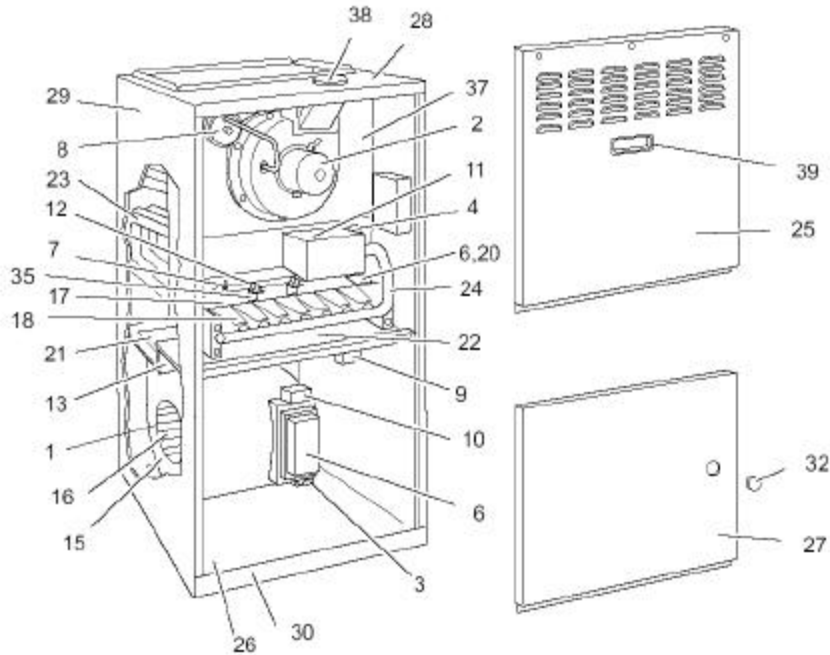


Figure 1: MULTI-POSITION NATURAL GAS FURNACES (80%)

FIG	ITEM	DESCRIPTION	P4HU			
			C16N09201A	C20N09201A	D20N10401A	C22N06401A
			G8T			
			11516UHC11A (6 BURNER)	11520UHC11A (6 BURNER)	13020UHD11A (7 BURNER)	08022UHC11A (4 BURNER)
MOTOR						
1	1	MOTOR,DIRECT DRIVE BLOWER	024-27540-000	024-23238-001	024-23238-001	024-32056-000
1	2	MOTOR,VENTOR ASS'Y	024-32085-000	024-32085-000	024-32085-000	024-32085-000
ELECTRICAL						
1	3	CAPACITOR (10MFD/370V) [RC]	024-20046-000	---	---	
		CAPACITOR (15MFD/370V) [RC]	---	024-20446-000	024-20446-000	024-20446-000
1	4	CONTROL, HIGH LIMIT [LS1]	025-29041-005	025-29041-005	025-29041-005	025-29041-005
1	5	CONTROL, FURNACE [FC]	031-01267-001	031-01267-001	031-01267-001	031-01267-001
1	6	IGNITER	025-32625-000	025-32625-000	025-32625-000	025-32625-000
1,2	7	SENSOR, FLAME	025-27773-000	025-27773-000	025-27773-000	025-27773-000
1	8	SWITCH, AIR PRESSURE [1LP]	024-27630-001	024-27630-001	024-27630-001	024-27629-001
1	9	SWITCH, DOOR [SW]	024-31943-000	024-31943-000	024-31943-000	024-31943-000
1	10	TRANSFORMER	025-30889-000	025-30889-000	025-30889-000	025-30889-000
1,2	11	VALVE, GAS	025-37426-000	025-37426-000	025-37426-000	025-37426-000
2	12	CONTROL, LIMIT (Top, 2 Req'd) [ROS3]	025-27747-018	025-27747-018	025-27747-018	025-27747-016
*	12A	CONTROL, LIMIT (Side, 2 Req'd) [ROS1,2]	025-27792-009	025-27792-009	025-27792-009	025-27792-009
2	13	CONTROL, AUXILARY LIMIT (2 Req'd)[LS2,3]	025-30321-000	025-30321-000	025-30321-000	025-30321-000
*	14	FUSE	025-32746-026	025-32746-026	025-32746-026	025-32746-026
AIR MOVING						
1	15	HOUSING, BLOWER	373-17828-001	373-17829-001	373-17829-001	373-17829-001
1	16	WHEEL, BLOWER	026-19654-005	026-19654-014	026-19654-014	026-19654-014

NOTE: *Not Shown
 New replacement parts shown in **bold** face type at the first printing of parts list dated 4/04.
 Major components and suggested stocking items are shown with shaded item number.
 "<" Across from row indicates a change in that row.
 --- Not applicable to specified model.



FIG	ITEM	DESCRIPTION	MODELS P4HU			
			C16N09201A	C20N09201A	D20N10401A	C22N06401A
			MODELS G8T			
			11516UHC11A (6 BURNER)	11520UHC11A (6 BURNER)	13020UHD11A (7 BURNER)	08022UHC11A (4 BURNER)
FABRICATED PARTS						
1	17	SHIELD, SECONDARY AIR	073-17404-006	073-17404-006	073-17404-007	073-17404-004
*	18	BAFFLE, FLUE	073-17775-004	073-17775-004	073-17775-005	073-17775-002
1,2	19	BURNER, MAIN GAS	029-20482-000	029-20482-000	029-20482-000	029-20482-000
1	20	BRACKET, IGNITER	073-17403-000	073-17403-000	073-17403-000	073-17403-000
1	21	DECK, BLOWER (Rear)	073-12082-001	073-12082-001	073-12083-001	073-12082-001
1	22	DECK, FRONT	073-17498-000	073-17498-000	073-17499-000	073-17498-000
1	23	HEAT EXCHANGER ASS'Y (Primary)	373-17477-006	373-17477-006	373-17477-007	373-17477-009
1,2	24	MANIFOLD, GAS	029-22114-005	029-22114-005	029-22114-006	029-22114-003
1	25	PANEL, FRONT (Burner)	073-22302-003	073-22302-003	073-22302-004	073-22302-003
1	26	PAN, BASE	073-17504-003	073-17504-003	073-17504-004	073-17504-003
1	27	PANEL, FRONT (Blower)	073-17522-003	073-17522-003	073-17522-004	073-17522-003
1	28	PANEL, TOP	073-17493-000	073-17493-000	073-17494-000	073-17493-000
1	29	WRAPPER P4HU	373-20778-003	373-20778-003	373-20778-004	373-20778-003
		WRAPPER G8T	373-17476-003	373-17476-003	373-17476-004	373-17476-003
1	30	CHANNEL, TOE PLATE	073-12062-003	073-12062-003	073-12062-004	073-12062-003
*	31	FILTER	026-28048-003	026-28048-003	026-28048-004	026-28048-003
		FILTER SIZE (1 X 20 X 26)	(1 X 20 X 26)	(1 X 20 X 26)	(1 X 24 X 26)	(1 X 20 X 26)
1	32	PLUG, WINDOW, CLEAR - .875"	025-30899-000	025-30899-000	025-30899-000	025-30899-000
*	33	RETAINER, FILTER	026-28040-000	026-28040-000	026-28040-000	026-28040-000
*	34	CLIP, SPRING (Filter Retainer) (2 Req'd)	021-16017-000	021-16017-000	021-16017-000	021-16017-000
1,2	35	BRACKET, ROLL-OUT SWITCH (2 Req'd)	073-12033-000	073-12033-000	073-12033-000	073-12033-000
MISCELLANEOUS						
2	36	ORIFICE, BURNER (Natural #45)	029-21182-045	029-21182-045	029-21182-045	029-21182-045
1	37	PLATE, RESTRICTOR	073-17489-177	073-17489-184	073-17490-194	073-17786-159
1	38	COLLAR, FLUE	073-17507-000	073-17507-000	073-17507-000	073-17507-000
1	39	HANDLE, DOOR	029-22113-000	029-22113-000	029-22113-000	029-22113-000
*	40	GASKET, RESTRICTOR PLATE	028-13261-000	028-13261-000	028-13262-000	028-13282-000
1	41	TUBING, SILICONE	028-12499-000	028-12499-000	028-12499-000	028-12499-000
*	42	SPRING, DOOR	029-22119-000	029-22119-000	029-22119-000	029-22119-000
*	43	WIRING DIAGRAM	035-19658-001	035-19658-001	035-19658-001	035-19658-001
*	44	WIRING HARNESS	373-22269-003	373-22269-003	373-22269-003	373-22269-002
	45					
	46					
*	47	ISOLATOR, TUBE (3 Req'd)	028-09412-001	028-09412-001	028-09412-001	028-09412-001
*	48	ISOLATOR, WASHER (3 Req'd)	028-09412-002	028-09412-002	028-09412-002	028-09412-002
*	49	ISOLATOR,SLEEVE (3 Req'd)	028-09412-003	028-09412-003	028-09412-003	028-09412-003
*	50	MOTOR MOUNT	026-31480-000	026-31459-000	026-31459-000	026-31459-000
*	51	SHIELD, INDUCER (SEE PAGE 7)	073-19852-100	073-19852-100	073-19852-100	073-19852-100

NOTE: *Not Shown

New replacement parts shown in **bold** face type at the first printing of parts list dated 4/04.

Major components and suggested stocking items are shown with shaded item number.

"<" Across from row indicates a change in that row.

--- Not applicable to specified model.



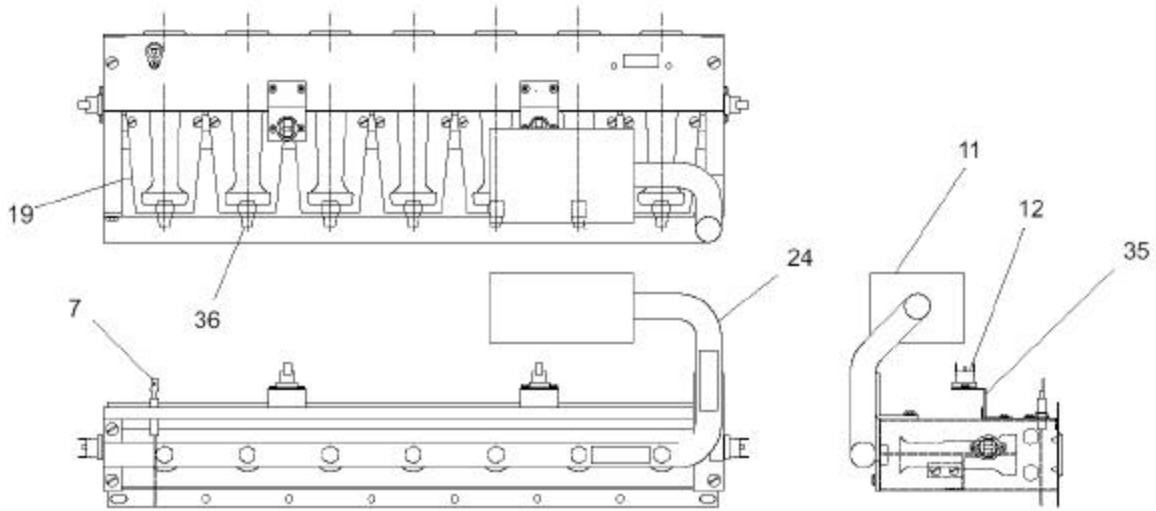


Figure 2: GAS CONTROLS

P4HU AND G8T "LOW NOX" UNITS ARE THE SAME AS THE "STANDARD" UNITS EXCEPT FOR THE FOLLOWING PARTS.				
MODEL NO.	PLATE, RESTRICTOR	QTY.	SCREEN, BURNER	QTY.
P4HUA12L03201A / L8T04012UHA11A	073-17777-109	1	026-35452-000	2
P4HUA12L04801A / L8T06012UHA11A	073-17777-144	1	026-35452-000	3
P4HUA12L06401A / L8T08012UHA11A	073-17487-172	1	026-35452-000	4
P4HUB16L06401A / L8T08016UHB11A	073-17785-172	1	026-35452-000	4
P4HUC20L6401A	073-17786-172	1	026-35452-000	4
P4HUB12L08001A	073-17488-184	1	026-35452-000	5
P4HUB16L08001A / L8T10016UHB11A	073-17488-184	1	026-35452-000	5
P4HUC20L08001A / L8T10020UHC11A	073-17487-184	1	026-35452-000	5
P4HUC20L09201A / L8T11520UHC11A	073-17489-184	1	026-35452-000	6
P4HUD20L10401A	073-17490-213	1	026-35452-000	7

STYLE "B" MODELS

Style "B" Models are identical to Style "A" models except for the addition of a factory installed (Item #51) Inducer Shield part no. 073-19852-100. Style "A" units mounted in a horizontal application will be upgraded with the Inducer Shield with Field Kit 373-19852-200.

FIELD INSTALLED ACCESSORIES - NON ELECTRICAL		
MODEL NO.	DESCRIPTION	USED WITH
1NP0347	PROPANE (LP) CONVERSION KIT	P4HU032, 064, 080
		G8T040, 080, 100
1NP0348		P4HU048, 092, 104
		G8T060, 115, 130
1PS0301	HIGH ALTITUDE PRESSURE SWITCH KIT (Does Not Include Orifices)	SEE CHART BELOW
1PS0302		
1PS0311		
1PS0312		
1BR0314	EXTERNAL BOTTOM RETURN FILTER, with High Velocity Filter for Horizontal Application for Upflow Bottom Return Application.	14-1/2" CABINETS
1BR0317		17-1/2" CABINETS
1BR0321		21" CABINETS
1BR0324		24-1/2" CABINETS
1CB0314	COMBUSTIBLE FLOOR BASE for Downflow Units	14-1/2" CABINETS
1CB0317		17-1/2" CABINETS
1CB0321		21" CABINETS
1CB0324		24-1/2" CABINETS
1SR0302	EXTERNAL SIDE FILTER RACK - with Filter Rack (6 pack)	ALL MODELS

FIELD INSTALLED ACCESSORIES - ELECTRICAL		
MODEL NO.	DESCRIPTION	USED WITH
2TB17700424	SUBBASE (24V) -One-stage Heat / Cool. Manual changeover. System switch: Cool-Off-Heat. Fan switch: Auto-On.	ALL MODELS
2TH13700424	THERMOSTAT-One-stage heat. Deluxe 24V with heat only sub- base, does not include fan switch. NOTE: For one-stage cool or one-stage heat/cool, must be used with subbase 2TB17700424.	ALL P4H MODELS
6TH13700524	THERMOSTAT-One-stage heat. Deluxe 24V with heat only sub- base, does not include fan switch. NOTE: For one-stage cool or one-stage heat/cool, must be used with subbase 2TB17700424.	ALL G8T MODELS
2ET03700324	THERMOSTAT- Hardwired, 1Heat / 1 Cool. Manual changeover. System Switch: Cool-Off-Heat. Fan Switch: Auto-On.	ALL P4H MODELS
6ET03700324		ALL G8T MODELS
2ET03701224	THERMOSTAT-Power Stealing, 1 Heat / 1 Cool. Manual changeover. System Switch: Cool-Off-Heat. Fan Switch: Auto-On.	ALL P4H MODELS
6ET03701224		ALL G8T MODELS
2ET03700124	THERMOSTAT-Hardwired, 1 Heat / 1 Cool. Programmable, Auto changeover. System Switch: Cool-Off-Heat. Fan Switch: Auto-On.	ALL P4H MODELS
6ET03700124		ALL G8T MODELS
2ET03701024	THERMOSTAT-Power Stealing, 1 Ht / 1 Cl. Programmable, Auto changeover. System Switch: Cool-Off-Heat. Fan Switch: Auto-On.	ALL P4H MODELS
6ET03701024		ALL G8T MODELS
2TC03700124	TWINNING CONTROL	ALL MODELS

HIGH PRESSURE SWITCH			
Input (MBH)	Output (MBH)	2,000 Ft. to 5,500 Ft.	>5,500 Ft. to 10,000 Ft.
40	32	1PS0301	1PS0301
60	48	1PS0301	1PS0301
80	64	1PS0302	1PS0302
100	80	1PS0312	1PS0311
115	92	1PS0312	1PS0311
130	104	1PS0312	1PS0311

TO ORDER AUTHORIZED FACTORY REPLACEMENT PARTS - Contact your Source1 HVAC Parts Distributor or visit our website at www.Source1Parts.com for a Distributor and Dealer listing.