



www.Source1Parts.com

GM8S SERIES - 80% DOWNFLOW/HORIZONTAL NATURAL GAS FURNACES (STYLE B, see back) INCLUDES LO-NOX MODELS LM8S

HVAC SERVICE PARTS

Supersedes: 035-20795-001 Rev. C (1106)

035-20795-001 Rev. D (1206)

1 of 8

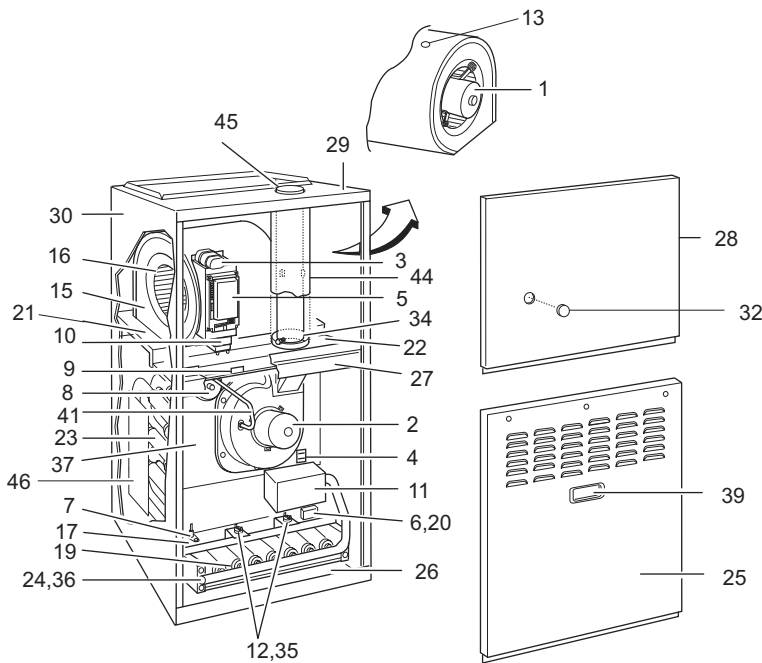


Figure 1: DOWNFLOW/HORIZONTAL NATURAL GAS FURNACES (80%)

FIG	ITEM	DESCRIPTION	GM8S040A12DH11B	GM8S060A12DH11B	GM8S080A12DH11B	GM8S080B16DH11B
			LM8S040A12DH11B	LM8S060A12DH11B	LM8S080A12DH11B	LM8S080B16DH11B
			(2 BURNER)	(3 BURNER)	(4 BURNER)	(4 BURNER)
MOTOR						
1	1	MOTOR, DIRECT DRIVE BLOWER	024-35647-000	024-35647-000	024-35647-000	024-26002-000
1	2	MOTOR, VENTOR ASS'Y	024-35329-000	024-35329-000	024-35329-000	024-35329-000
ELECTRICAL						
1	3	CAPACITOR (10MFD/370V) [RC]	024-20046-000	024-20046-000	024-20046-000	024-20046-000
1	4	CONTROL, HIGH LIMIT [LS1]	025-29041-011	025-29041-005	025-29041-005	025-29041-011
1	5	CONTROL, FURNACE [FC]	031-01972-000	031-01972-000	031-01972-000	031-01972-000
1	6	IGNITOR	025-32625-000	025-32625-000	025-32625-000	025-32625-000
1,2	7	SENSOR, FLAME	025-27773-000	025-27773-000	025-27773-000	025-27773-000
1	8	SWITCH, AIR PRESSURE [1LP]	024-35270-000	024-35270-000	024-35271-000	024-35271-000
1	9	SWITCH, DOOR [SW]	024-31943-000	024-31943-000	024-31943-000	024-31943-000
1	10	TRANSFORMER	025-30889-000	025-30889-000	025-30889-000	025-30889-000
1,2	11	VALVE, GAS	025-37426-000	025-37426-000	025-37426-000	025-37426-000
1,2	12	CONTROL, LIMIT (Blower) [ROS1]	025-27747-016	025-27747-016	025-27747-016	025-27747-016
1	13	CONTROL, AUXILARY LIMIT [LS2]	025-27792-009	025-27792-009	025-27792-009	025-27792-009
*	14	FUSE	025-32746-026	025-32746-026	025-32746-026	025-32746-026
AIR MOVING						
1	15	HOUSING, BLOWER	373-17827-001	373-17827-001	373-17827-001	373-17829-001
*	15A	PANEL, FILLER WRAP	---	---	---	063-78006-000
1	16	WHEEL, BLOWER	026-19654-003	026-19654-003	026-19654-003	026-19654-014

NOTE: *Not Shown

New replacement parts shown in **bold** face type at the first printing of parts list dated 12/06.

Major components and suggested stocking items are shown with shaded item number.

"<" Across from row indicates a change in that row.

--- Not applicable to specified model.

FIG	ITEM	DESCRIPTION	GM8S040A12DH11B	GM8S060A12DH11B	GM8S080A12DH11B	GM8S080B16DH11B
			LM8S040A12DH11B	LM8S060A12DH11B	LM8S080A12DH11B	LM8S080B16DH11B
			(2 BURNER)	(3 BURNER)	(4 BURNER)	(4 BURNER)
FABRICATED PARTS						
1	17	SHIELD, SECONDARY AIR	073-17404-002	073-17404-003	073-17404-004	073-17404-004
*	18	BAFFLE, FLUE	073-17775-001	073-17775-001	073-17775-002	073-17775-002
1,2	19	BURNER, MAIN GAS	029-20482-000	029-20482-000	029-20482-000	029-20482-000
1	20	BRACKET, IGNITOR	073-17403-000	073-17403-000	073-17403-000	073-17403-000
1	21	DECK, BLOWER (Rear)	073-17502-001	073-17502-001	073-17502-001	073-17503-001
1	22	DECK, FRONT	073-18247-002	073-18247-002	073-18247-002	073-20997-000
1	23	HEAT EXCHANGER ASS'Y (Primary)	373-23820-001	373-23820-002	373-23820-003	373-23820-004
1,2	24	MANIFOLD, GAS	029-22114-001	029-22114-002	029-22114-003	029-22114-003
1	25	PANEL, BURNER ACCESS	073-19862-031	073-19862-031	073-19862-031	073-19862-032
1	26	PANEL, BASE	073-19864-051	073-19864-051	073-19864-051	073-19864-052
1	27	BRACKET, DOOR	073-19864-071	073-19864-071	073-19864-071	073-19864-072
1	28	PANEL, BLOWER ACCESS	073-19862-041	073-19862-041	073-19862-041	073-19862-042
1	29	PANEL, TOP	073-19864-061	073-19864-061	073-19864-061	073-19864-062
1	30	WRAPPER CABINET(Insulated)	373-19864-011	373-19864-011	373-19864-011	373-19864-012
MISCELLANEOUS						
	31					
1	32	PLUG, WINDOW, CLEAR - 1.5"	025-37005-000	025-37005-000	025-37005-000	025-37005-000
	33					
1	34	GASKET, VENT PIPE	013-02905-000	013-02905-000	013-02905-000	013-02905-000
1,2	35	BRACKET, ROLL-OUT SWITCH	073-12033-000	073-12033-000	073-12033-000	073-12033-000
1,2	36	ORIFICE, BURNER (Natural #45)	029-21182-045	029-21182-045	029-21182-045	029-21182-045
1	37	PLATE, RESTRICTOR	073-23821-010	073-23821-011	073-23821-012	073-23821-013
*	38	COLLAR, FLUE	073-22222-000	073-22222-000	073-22222-000	073-22222-000
1	39	HANDLE, DOOR	028-14886-000	028-14886-000	028-14886-000	028-14886-000
*	40	GASKET, RESTRICTOR PLATE	028-13258-000	028-13258-000	028-13259-000	028-13281-000
1	41	TUBING, SILICONE	028-12499-000	028-12499-000	028-12499-000	028-12499-000
*	42	WIRING DIAGRAM	127942	127942	127942	127942
*	43	WIRING HARNESS	373-23761-001	373-23761-001	373-23761-001	373-23761-001
1	44	HOUSING FLUE	026-35453-002	026-35453-002	026-35453-002	026-35453-002
1	45	VENT PIPE	026-37300-002	026-37300-002	026-37300-002	026-37300-002
1	46	RETAINER, INSULATION	073-18035-001	073-18035-001	073-18035-001	073-18035-002
*	47	MOTOR MOUNT	073-19831-01	073-19831-01	073-19831-01	073-19831-01
*	48	FERRULE, MOTOR MOUNT (3 Req'd)	023-20541-000	023-20541-000	023-20541-000	023-20541-000
*	49	GROMMET, MOTOR MOUNT (3 Req'd)	028-14740-000	028-14740-000	028-14740-000	028-14740-000
*	50	LO-NOX SCREEN (LY8S Only)	026-35452-000	026-35452-000	026-35452-000	026-35452-000

NOTE: *Not Shown

New replacement parts shown in **bold** face type at the first printing of parts list dated 12/06.

Major components and suggested stocking items are shown with shaded item number.

"<" Across from row indicates a change in that row.

--- Not applicable to specified model.



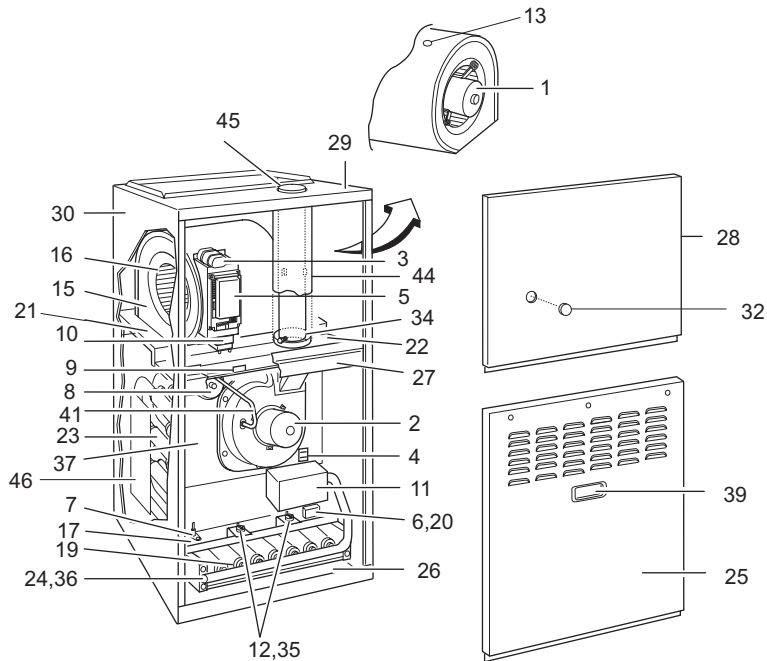


Figure 1: DOWNFLOW/HORIZONTAL NATURAL GAS FURNACES (80%)

FIG	ITEM	DESCRIPTION	GM8S080C16DH11A	GM8S100B12DH11B	GM8S100C16DH11B	GM8S100C20DH11B
			LM8S080C16DH11A	LM8S100B12DH11B	LM8S100C16DH11B	LM8S100C20DH11B
			(4 BURNER)	(5 BURNER)	(5 BURNER)	(5 BURNER)
MOTOR						
1	1	MOTOR, DIRECT DRIVE BLOWER	024-26002-000	024-35647-000	024-23211-003	024-32056-000
1	2	MOTOR, VENTOR ASS'Y	024-35329-000	024-35329-000	024-35329-000	024-35329-000
ELECTRICAL						
1	3	CAPACITOR (10MFD/370V) [RC]	024-20046-000	024-20046-000	024-20046-000	---
		CAPACITOR (15MFD/370V) [RC]	---	---	---	024-25900-000
1	4	CONTROL, HIGH LIMIT [LS1]	025-29041-011	025-29041-004	025-29041-007	025-29041-002
1	5	CONTROL, FURNACE [FC]	031-01972-000	031-01972-000	031-01972-000	031-01972-000
1	6	IGNITOR	025-32625-000	025-32625-000	025-32625-000	025-32625-000
1,2	7	SENSOR, FLAME	025-27773-000	025-27773-000	025-27773-000	025-27773-000
1	8	SWITCH, AIR PRESSURE [1LP]	024-35271-000	024-35272-000	024-35272-000	024-35272-000
1	9	SWITCH, DOOR [SW]	024-31943-000	024-31943-000	024-31943-000	024-31943-000
1	10	TRANSFORMER	025-30889-000	025-30889-000	025-30889-000	025-30889-000
1,2	11	VALVE, GAS	025-37426-000	025-37426-000	025-37426-000	025-37426-000
1,2	12	CONTROL, LIMIT (Blower) [ROS1,2]	025-27747-018	025-27747-018	025-27747-018	025-27747-018
1	13	CONTROL, AUXILIARY LIMIT	025-27792-009	025-27792-009	025-27792-009	025-27792-009
*	14	FUSE	025-32746-026	025-32746-026	025-32746-026	025-32746-026
AIR MOVING						
1	15	HOUSING, BLOWER	373-17829-001	373-17827-001	373-17829-001	373-19870-502
1	15A	PANEL, FILLER WRAP	063-78006-000	---	063-78006-000	073-19870-501
1	16	WHEEL, BLOWER	026-19654-014	026-19654-003	026-19654-014	026-38510-000

NOTE: *Not Shown

New replacement parts shown in **bold** face type at the first printing of parts list code dated 12/06.

Major components and suggested stocking items are shown with shaded item number.

"<" Across from row indicates a change in that row.

--- Not applicable to specified model.

FIG	ITEM	DESCRIPTION	GM8S080C16DH11A	GM8S100B12DH11B	GM8S100C16DH11B	GM8S100C20DH11B
			LM8S080C16DH11A	LM8S100B12DH11B	LM8S100C16DH11B	LM8S100C20DH11B
			(4 BURNER)	(5 BURNER)	(5 BURNER)	(5 BURNER)
FABRICATED PARTS						
1	17	SHIELD, SECONDARY AIR	073-17404-004	073-17404-005	073-17404-005	073-17404-005
*	18	BAFFLE, FLUE	073-17775-002	073-17775-003	073-17775-003	073-17775-003
1,2	19	BURNER, MAIN GAS	029-20482-000	029-20482-000	029-20482-000	029-20482-000
1	20	BRACKET, IGNITOR	073-17403-000	073-17403-000	073-17403-000	073-17403-000
1	21	DECK, BLOWER (Rear)	073-12082-000	073-12081-000	073-12082-000	073-23737-001
1	22	DECK, FRONT	073-20998-000	073-20997-000	073-20998-000	073-20998-000
1	23	HEAT EXCHANGER ASS'Y (Primary)	373-23836-001	373-23820-005	373-23820-006	373-23820-006
1,2	24	MANIFOLD, GAS	029-22114-003	029-22114-004	029-22114-004	029-22114-004
1	25	PANEL, BURNER ACCESS	073-19862-033	073-19862-032	073-19862-033	073-19862-033
1	26	PANEL, BASE	073-19864-053	073-19864-052	073-19864-053	073-19864-053
1	27	BRACKET, DOOR	073-19864-073	073-19864-072	073-19864-073	073-19864-073
1	28	PANEL, BLOWER ACCESS	073-19862-043	073-19862-042	073-19862-043	073-19862-043
1	29	PANEL, TOP	073-19864-063	073-19864-062	073-19864-063	073-19864-063
1	30	WRAPPER CABINET (Insulated)	373-19864-013	373-19864-012	373-19864-013	373-19864-013
MISCELLANEOUS						
	31					
1	32	PLUG, WINDOW, CLEAR - 1.5"	025-37005-000	025-37005-000	025-37005-000	025-37005-000
	33					
1	34	GASKET, VENT PIPE	013-02905-000	013-02905-000	013-02905-000	013-02905-000
1,2	35	BRACKET, ROLL-OUT SWITCH	073-12033-000	073-12033-000	073-12033-000	073-12033-000
1,2	36	ORIFICE, BURNER (Natural #45)	029-21182-045	029-21182-045	029-21182-045	029-21182-045
1	37	PLATE, RESTRICTOR	073-23821-014	073-23821-015	073-23821-016	073-23821-016
*	38	COLLAR, FLUE	073-22222-000	073-22222-000	073-22222-000	073-22222-000
1	39	HANDLE, DOOR	028-14886-000	028-14886-000	028-14886-000	028-14886-000
*	40	GASKET, RESTRICTOR PLATE	028-13283-000	028-13260-000	028-13283-000	028-13283-000
1	41	TUBING, SILICONE	028-12499-000	028-12499-000	028-12499-000	028-12499-000
*	42	WIRING DIAGRAM	127942	127942	127942	127942
*	43	WIRING HARNESS	373-23761-001	373-23761-001	373-23761-001	373-23761-001
1	44	HOUSING, FLUE	026-35453-002	026-35453-002	026-35453-002	026-35453-002
1	45	VENT PIPE	026-37300-002	026-37300-002	026-37300-002	026-37300-002
1	46	RETAINER, INSULATION	073-18035-002	073-18035-002	073-18035-003	073-18035-003
*	47	MOTOR MOUNT	073-19831-01	073-19831-001	026-31459-000	026-31459-000
*	48	FERRULE (3 Req'd)	023-20541-000	023-20541-000	023-20541-000	023-20541-000
*	49	GROMMET, MOTOR MOUNT (3 Req'd)	028-14740-000	028-14740-000	028-14740-000	028-14740-000
*	50	LO-NOX SCREEN (LY8S Only)	026-35452-000	026-35452-000	026-35452-000	026-35452-000

NOTE: *Not Shown

New replacement parts shown in **bold** face type at the first printing of parts list dated 12/06.

Major components and suggested stocking items are shown with shaded item number.

"<" Across from row indicates a change in that row.

--- Not applicable to specified model.



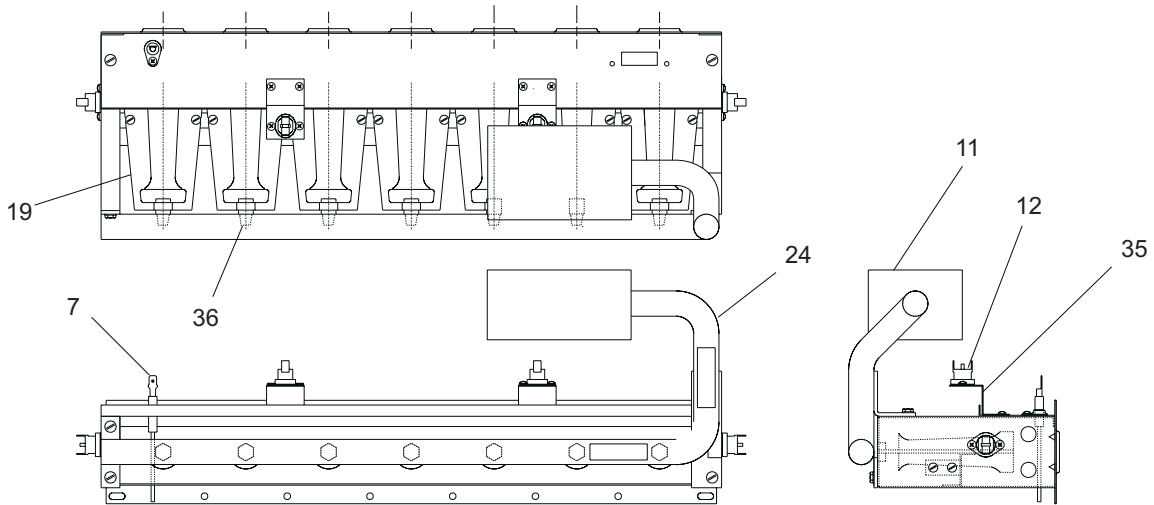


Figure 2: GAS CONTROLS

FIG	ITEM	DESCRIPTION	GM8S115C16DH11B	GM8S115C20DN11B	GM8S130D20DH11B
			LM8S115C16DH1B	LM8S115C20DN11B	LM8S130D20DH11B
			(6 BURNER)	(6 BURNER)	(7 BURNER)
MOTOR					
1	1	MOTOR, DIRECT DRIVE BLOWER	024-26002-000	024-32056-000	024-32056-000
1	2	MOTOR, VENTOR ASS'Y	024-35329-000	024-35329-000	024-35329-000
ELECTRICAL					
1	3	CAPACITOR (10MFD/370V) [RC]	024-20046-000	---	---
		CAPACITOR (15MFD/370V) [RC]	---	024-25900-000	024-25900-000
1	4	CONTROL, HIGH LIMIT [LS1]	025-29041-004	025-29041-002	025-29041-011
1	5	CONTROL, FURNACE [FC]	031-01972-000	031-01972-000	031-01972-000
1	6	IGNITOR	025-32625-000	025-32625-000	025-32625-000
1,2	7	SENSOR, FLAME	025-27773-000	025-27773-000	025-27773-000
1	8	SWITCH, AIR PRESSURE [1LP]	024-35272-000	024-35272-000	024-35272-000
1	9	SWITCH, DOOR [SW]	024-31943-000	024-31943-000	024-31943-000
1	10	TRANSFORMER	025-30889-000	025-30889-000	025-30889-000
1,2	11	VALVE, GAS	025-37426-000	025-37426-000	025-37426-000
1,2	12	CONTROL, LIMIT (Blower) [ROS1,2]	025-27747-018	025-27747-018	025-27747-018
1	13	CONTROL, AUXILARY LIMIT	025-27792-009	025-27792-009	025-27792-009
*	14	FUSE	025-32746-026	025-32746-026	025-32746-026
AIR MOVING					
1	15	HOUSING, BLOWER	373-17829-001	373-19870-502	373-19870-502
1	15A	PANEL, FILLER WRAP	063-78006-000	073-19870-501	073-19870-501
1	16	WHEEL, BLOWER	026-19654-014	026-38510-000	026-38510-000

NOTE: *Not Shown

New replacement parts shown in **bold** face type at the first printing of parts list dated 12/06.

Major components and suggested stocking items are shown with shaded item number.

"<" Across from row indicates a change in that row.

--- Not applicable to specified model.



FIG	ITEM	DESCRIPTION	GM8S115C16DH11B	GM8S115C20DN11B	GM8S130D20DH11B
			LM8S115C16DH11B	LM8S115C20DN11B	LM8S130D20DH11B
			(6 BURNER)	(6 BURNER)	(7 BURNER)
FABRICATED PARTS					
1	17	SHIELD, SECONDARY AIR	073-17404-006	073-17404-006	073-17404-007
*	18	BAFFLE, FLUE	073-17775-004	073-17775-004	073-17775-005
1,2	19	BURNER, MAIN GAS	029-20482-000	029-20482-000	029-20482-000
1	20	BRACKET, IGNITOR	073-17403-000	073-17403-000	073-17403-000
1	21	DECK, BLOWER (Rear)	073-12082-000	073-23737-001	073-23737-002
1	22	DECK, FRONT	073-20998-000	073-20998-000	073-20999-000
1	23	HEAT EXCHANGER ASS'Y (Primary)	373-23820-007	373-23820-007	373-23820-008
1,2	24	MANIFOLD, GAS	029-22114-005	029-22114-005	029-22114-006
1	25	PANEL, BURNER ACCESS	073-19862-033	073-19862-033	073-19862-034
1	26	PANEL, BASE	073-19864-053	073-19864-053	073-19864-054
1	27	BRACKET, DOOR	073-19864-073	073-19864-073	073-19864-074
1	28	PANEL, BLOWER ACCESS	073-19862-043	073-19862-043	073-19862-044
1	29	PANEL, TOP	073-19864-063	073-19864-063	073-19864-064
1	30	WRAPPER CABINET (Insulated)	373-19864-013	373-19864-013	373-19864-014
MISCELLANEOUS					
	31				
1	32	PLUG, WINDOW, CLEAR - 1.5"	025-37005-000	025-37005-000	025-37005-000
	33				
1	34	GASKET, VENT PIPE	013-02905-000	013-02905-000	013-02905-000
1,2	35	BRACKET, ROLL-OUT SWITCH	073-12033-000	073-12033-000	073-12033-000
1,2	36	ORIFICE, BURNER (Natural #45)	029-21182-045	029-21182-045	029-21182-045
1	37	PLATE, RESTRICTOR	073-23821-018	073-23821-018	073-23821-019
*	38	COLLAR, FLUE	073-22222-000	073-22222-000	073-22222-000
1	39	HANDLE, DOOR	028-14886-000	028-14886-000	028-14886-000
*	40	GASKET, RESTRICTOR PLATE	028-13261000	028-13261-000	028-13262-000
1	41	TUBING, SILICONE	028-12499-000	028-12499-000	028-12499-000
*	42	WIRING DIAGRAM	127942	127942	127942
*	43	WIRING HARNESS	373-23761-002	373-23761-002	373-23761-002
1	44	HOUSING, FLUE	026-35453-002	026-35453-002	026-35453-002
1	45	VENT PIPE	026-37300-002	026-37300-002	026-37300-002
1	46	RETAINER, INSULATION	073-18035-003	073-18035-003	073-18035-004
*	47	MOTOR MOUNT	026-31459-000	026-31459-000	026-31459-000
*	48	FERRULE (3 Req'd)	023-20541-000	023-20541-000	023-20541-000
*	49	GROMMET, MOTOR MOUNT (3 Req'd)	028-14740-000	028-14740-000	028-14740-000
*	50	LO-NOX SCREEN (LY8S Only)	026-35452-000	026-35452-000	026-35452-000

NOTE: *Not Shown

New replacement parts shown in **bold** face type at the first printing of parts list dated 12/06.

Major components and suggested stocking items are shown with shaded item number.

"←" Across from row indicates a change in that row.

--- Not applicable to specified model.

NOTES

Note: This parts list also contains new 80 - 4T - 21" cabinet "Style A" models designed and produced after the "Style B" models on this list.

TO ORDER AUTHORIZED FACTORY REPLACEMENT PARTS - Contact your Source1 HVAC Parts Distributor or visit our website at **www.Source1Parts.com** for a Distributor and Dealer listing.

Subject to change without notice. Printed in U.S.A.
Copyright © by York International Corp. 2006. All rights reserved.

035-20795-001 Rev. D (1206)
Supersedes: 035-20795-001 Rev. C (1106)

Unitary Products Group	5005 York Drive	Norman OK 73069
---------------------------------------	--------------------------------	--------------------------------