



www.Source1Parts.com

GM8S UPFLOW/HORIZONTAL (80%) NATURAL GAS FURNACES (STYLE A)

HVAC SERVICE PARTS

Supersedes: Nothing

035-20360-001 Rev. A (0504)

1 of 8

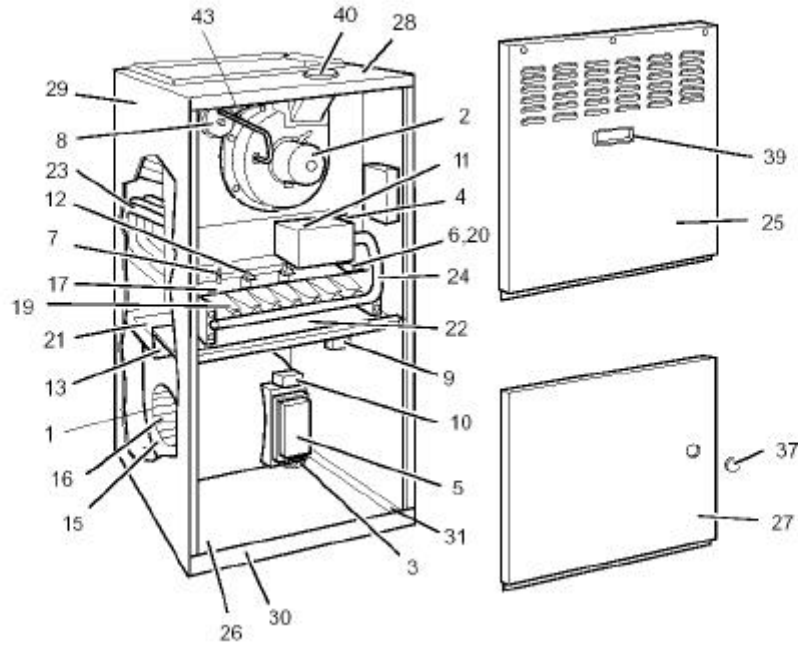


Figure 1: UPFLOW/HORIZONTAL GAS FURNACES (80%)

FIG	ITEM	DESCRIPTION	GM8S040A12UH11A	GM8S060A12UH11A	GM8S080A12UH11A	GM8S080B16UH11A
			(2 BURNER)	(3 BURNER)	(4 BURNER)	(4 BURNER)
MOTOR						
1	1	MOTOR, DIRECT DRIVE BLOWER	024-31969-000	024-31969-000	024-31969-000	024-26002-000
1	2	MOTOR, VENTOR ASS'Y	024-32085-000	024-32085-000	024-32085-000	024-32085-000
ELECTRICAL						
1	3	CAPACITOR (7.5MFD/370V) [RC]	024-20045-000	024-20045-000	024-20045-000	---
		CAPACITOR (10MFD/370V) [RC]	---	---	---	024-20046-000
1	4	CONTROL, HIGH LIMIT [LS1]	025-29041-011	025-29041-002	025-29041-005	025-29041-005
1	5	CONTROL, FURNACE [FC]	031-01972-000	031-01972-000	031-01972-000	031-01972-000
1	6	IGNITER	025-32625-000	025-32625-000	025-32625-000	025-32625-000
1,2	7	SENSOR, FLAME	025-27773-000	025-27773-000	025-27773-000	025-27773-000
1	8	SWITCH, AIR PRESSURE [1LP]	024-27628-001	024-27629-001	024-27629-001	024-27629-001
1	9	SWITCH, DOOR [SW]	024-31943-000	024-31943-000	024-31943-000	024-31943-000
1	10	TRANSFORMER	025-30889-000	025-30889-000	025-30889-000	025-30889-000
1,2	11	VALVE, GAS	025-37426-000	025-37426-000	025-37426-000	025-37426-000
1,2	12	CONTROL, LIMIT (Top) [ROS3]	025-27747-016	025-27747-016	025-27747-016	025-27747-016
2	12A	CONTROL, LIMIT (Side, 2 Req'd) [ROS1, 2]	025-27792-009	025-27792-009	025-27792-009	025-27792-009
1	13	CONTROL, AUXILIARY LIMIT (2 Req'd) [LS2, 3]	025-30321-000	025-30321-000	025-30321-000	025-30321-000
*	14	FUSE	025-32746-026	025-32746-026	025-32746-026	025-32746-026
AIR MOVING						
1	15	HOUSING, BLOWER	373-17827-001	373-17827-001	373-17827-001	373-17829-002
1	16	WHEEL, BLOWER	026-35497-000	026-35497-000	026-35497-000	026-19654-009

NOTE: *Not Shown

New replacement parts shown in **bold** face type at the first printing of parts list dated 5/04.

Major components and suggested stocking items are shown with shaded item number.

"<" Across from row indicates a change in that row.

--- Not applicable to specified model.

FIG	ITEM	DESCRIPTION	GM8S040A12UH11A	GM8S060A12UH11A	GM8S080A12UH11A	GM8S080B16UH11A
			(2 BURNER)	(3 BURNER)	(4 BURNER)	(4 BURNER)
FABRICATED PARTS						
1	17	SHIELD, SECONDARY AIR	073-17404-002	073-17404-003	073-17404-004	073-17404-004
*	18	BAFFLE, FLUE	073-17775-001	073-17775-001	073-17775-002	073-17775-002
1,2	19	BURNER, MAIN GAS	029-20482-000	029-20482-000	029-20482-000	029-20482-000
1	20	BRACKET, IGNITER	073-17403-000	073-17403-000	073-17403-000	073-17403-000
1	21	DECK, BLOWER (Rear)	073-17502-002	073-17502-002	073-17502-002	073-12081-001
1	22	DECK, FRONT	073-17496-000	073-17496-000	073-17496-000	07317497-000
1	23	HEAT EXCHANGER ASS'Y (Primary)	373-17477-002	373-17477-003	373-17477-004	373-17477-008
1,2	24	MANIFOLD, GAS	029-22114-001	029-22114-002	029-22114-003	029-22114-003
1	25	PANEL, VEST ACCESS (Burner)	073-19862-031	073-19862-031	073-19862-031	073-19862-032
1	26	PAN, BASE	073-19813-090	073-19813-090	073-19813-090	073-19812-090
1	27	PANEL, BLOWER ACCESS	073-19862-041	073-19862-0412	073-19862-041	073-19862-042
1	28	PANEL, TOP	073-19862-065	073-19862-065	073-19862-065	073-19862-066
1	29	WRAPPER, INSULATED	373-19862-011	373-19862-011	373-19862-011	373-19862-012
1	30	CHANNEL, TOE PLATE	073-19862-055	073-19862-055	073-19862-055	073-19862-056
1	31	BASE FRAME, SIDE (2 Req'd)	073-19811-085	073-19811-085	073-19811-085	073-19811-085
*	32	PLATE, RESTRICTOR	073-17777-109	073-17777-144	073-17487-159	073-17785-159
*	33	SHIELD, INDUCER	073-19852-100	073-19852-100	073-19852-100	073-19852-100
2	34	BRACKET, ROLL-OUT SWITCH	073-12033-000	073-12033-000	073-12033-000	073-12033-000
MISCELLANEOUS						
*	35	FILTER	028-38508-000	028-38508-000	028-38508-000	028-38508-000
*	36	RACK, FILTER	026-38509-000	026-38509-000	026-38509-000	026-38509-000
1	37	PLUG HOLE WINDOW CLEAR-1.5	025-37005-000	025-37005-000	025-37005-000	025-37005-000
2	38	ORIFICE, BURNER (Natural #45)	029-21182-045	029-21182-045	029-21182-045	029-21182-045
1	39	HANDLE, DOOR	028-14886-000	028-14886-000	028-14886-000	028-14886-000
1	40	COLLAR, FLUE	073-17507-000	073-17507-000	073-17507-000	073-17507-000
*	41	GROMMET, 1/2" DIA.	025-30823-000	025-30823-000	025-30823-000	025-30823-000
*	42	GASKET, RESTRICTOR PLATE	028-13258-000	028-13258-000	028-13259-000	028-13281-000
1	43	TUBING, SILICONE	028-12499-000	028-12499-000	028-12499-000	028-12499-000
*	44	SPRING, DOOR	029-22119-000	029-22119-000	029-22119-000	029-22119-000
*	45	WIRING DIAGRAM	035-19658-002	035-19658-002	035-19658-002	035-19658-002
*	46	WIRING HARNESS	373-19870-001	373-19870-001	373-19870-001	373-19870-002
*	47	ISOLATOR, TUBE (3 Req'd)	---	---	---	028-09412-001
*	48	ISOLATOR, WASHER (3 Req'd)	---	---	---	028-09412-002
*	49	ISOLATOR, SLEEVE (3 Req'd)	---	---	---	028-09412-003
*	50	MOTOR MOUNT	---	---	---	026-31459-000

NOTE: *Not Shown

New replacement parts shown in **bold** face type at the first printing of parts list dated 5/04.

Major components and suggested stocking items are shown with shaded item number.

"<" Across from row indicates a change in that row.

--- Not applicable to specified model.



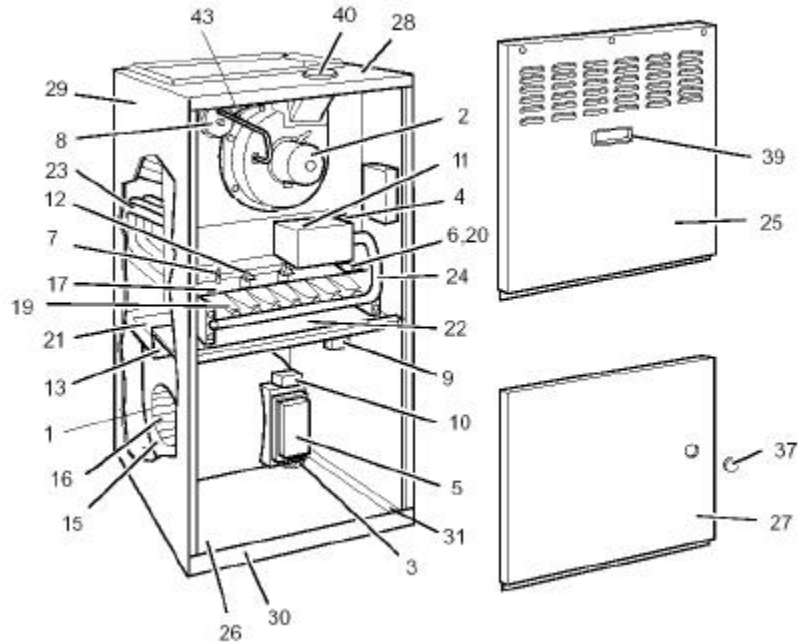


Figure 1: UPFLOW/HORIZONTAL GAS FURNACES (80%)

FIG	ITEM	DESCRIPTION	GM8S080C22UH11A	GM8S100B12UH11A	GM8S100B16UH11A	GM8S100C20UH11A
			(4 BURNER)	(5 BURNER)	(5 BURNER)	(5 BURNER)
MOTOR						
1	1	MOTOR, DIRECT DRIVE BLOWER	024-32056-000	024-25110-000	024-27540-000	024-23238-001
1	2	MOTOR, VENTOR ASS'Y	024-32085-000	024-32085-000	024-32085-000	024-32085-000
ELECTRICAL						
1	3	CAPACITOR (7.5MFD/370V) [RC]	---	024-20045-000	---	---
		CAPACITOR (10MFD/370V) [RC]	---	---	024-20046-000	---
		CAPACITOR (15MFD/370V) [RC]	024-20446-000	---	---	024-20446-000
2	4	CONTROL, HIGH LIMIT [LS1]	025-29041-005	025-29041-005	025-29041-005	025-29041-002
1	5	CONTROL, FURACE [FC]	031-01972-000	031-01972-000	031-01972-000	031-01972-000
1	6	IGNITER	025-32625-000	025-32625-000	025-32625-000	025-32625-000
1,2	7	SENSOR, FLAME	025-27773-000	025-27773-000	025-27773-000	025-27773-000
1	8	SWITCH, AIR PRESSURE [1LP]	024-27629-001	024-27630-001	024-27630-001	024-27630-001
1	9	SWITCH, DOOR [SW]	024-31943-000	024-31943-000	024-31943-000	024-31943-000
1	10	TRANSFORMER	025-30889-000	025-30889-000	025-30889-000	025-30889-000
1,2	11	VALVE, GAS	025-37426-000	025-37426-000	025-37426-000	025-37426-000
1,2	12	CONTROL, LIMIT (Top) [ROS3]	025-27747-016	025-27747-018	025-27747-018	025-27747-018
2	12A	CONTROL, LIMIT (Side, 2 Req'd) [ROS1, 2]	025-27792-009	025-27792-009	025-27792-009	025-27792-009
2	13	CONTROL, AUX LIMIT (2 Req'd) [LS2,3]	025-30321-000	025-30321-000	025-30321-000	025-30321-000
*	14	FUSE	025-32746-026	025-32746-026	025-32746-026	025-32746-026
AIR MOVING						
1	15	HOUSING, BLOWER	373-17829-001	373-17827-001	373-17828-001	373-17829-001
1	16	WHEEL, BLOWER	026-19654-014	026-19654-003	026-19654-005	026-19654-014
*	16A	PANEL, FILLER WRAP	---	---	---	063-78006-000

NOTE: *Not Shown

New replacement parts shown in **bold** face type at the first printing of parts list code dated 5/04.

Major components and suggested stocking items are shown with shaded item number

"<" Across from row indicates a change in that row.

--- Not applicable to specified model.



FIG	ITEM	DESCRIPTION	GM8S080C22UH11A	GM8S100B12UH11A	GM8S100B16UH11A	GM8S100C20UH11A	<
			(4 BURNER)	(5 BURNER)	(5 BURNER)	(5 BURNER)	
FABRICATED PARTS							
1	17	SHIELD, SECONDARY AIR	073-17404-004	073-17404-005	073-17404-005	073-17404-005	
*	18	BAFFLE, FLUE	073-17775-002	073-17775-003	073-17775-003	073-17775-003	
1,2	19	BURNER, MAIN GAS	029-20482-000	029-20482-000	029-20482-000	029-20482-000	
1	20	BRACKET, IGNITER	073-17403-000	073-17403-000	073-17403-000	073-17403-000	
1	21	DECK, BLOWER (Rear)	073-12082-001	073-12081-001	073-17503-002	073-12082-001	
1	22	DECK, FRONT	073-17498-000	073-17497-000	073-17497-000	073-17498-000	
1	23	HEAT EXCHANGER ASS'Y (Primary)	373-17477-009	373-17477-005	373-17477-005	373-17477-010	
1,2	24	MANIFOLD, GAS	029-22114-003	029-22114-004	029-22114-004	029-22114-004	
1	25	PANEL, VEST ACCESS (Burner)	073-19862-033	073-19862-032	073-19862-032	073-19862-033	
1	26	PAN, BASE	073-17504-003	073-17504-002	073-17504-002	073-17504-003	
1	27	PANEL, BLOWER ACCESS	073-19862-043	073-19862-042	073-19862-042	073-19862-043	
1	28	PANEL, TOP	073-19862-067	073-19862-066	073-19862-066	073-19862-067	
1	29	WRAPPER, INSULATED	373-19862-013	373-19862-012	373-19862-012	373-19862-013	
1	30	CHANNEL, TOE PLATE	073-19862-057	073-19862-056	073-19862-056	073-19862-057	
1	31	BASE FRAME, SIDE (2 Req'd)	073-19811-085	073-19811-085	073-19811-085	073-19811-085	
*	32	PLATE, RESTRICTOR	073-17786-159	073-17488-172	073-17488-172	073-17787-172	
*	33	SHIELD, INDUCER	073-19852-100	073-19852-100	073-19852-100	073-19852-100	
2	34	BRACKET, ROLL-OUT SWITCH	073-12033-000	073-12033-000	073-12033-000	073-12033-000	
MISCELLANEOUS							
*	35	FILTER	026-38508-000	026-38508-000	026-38508-000	026-38508-000	
*	36	RACK, FILTER	026-38509-000	026-38509-000	026-38509-000	026-38509-000	
1	37	PLUG HOLE WINDOW CLEAR-1.5	025-37005-000	025-37005-000	025-37005-000	025-37005-000	
2	38	ORIFICE, BURNER (Natural #45)	029-21182-045	029-21182-045	029-21182-045	029-21182-045	
1	39	HANDLE, DOOR	028-14886-000	028-14886-000	028-14886-000	028-14886-000	
1	40	COLLAR, FLUE	073-17507-000	073-17507-000	073-17507-000	073-17507-000	
*	41	GROMMET, 1/2" DIA.	025-30823-000	025-30823-000	025-30823-000	025-30823-000	
*	42	GASKET, RESTRICTOR PLATE	028-13282-000	028-13260-000	028-13260-000	028-13283-000	
1	43	TUBING, SILICONE	028-12499-000	028-12499-000	028-12499-000	028-12499-000	
*	44	SPRING, DOOR	029-22119-000	029-22119-000	029-22119-000	029-22119-000	
*	45	WIRING DIAGRAM	035-19658-002	035-19658-002	035-19658-002	035-19658-002	
*	46	WIRING HARNESS	373-19870-002	373-19870-002	373-19870-002	373-19870-002	
*	47	ISOLATOR, TUBE (3 Req'd)	028-09412-001	028-09412-001	028-09412-001	028-09412-001	
*	48	ISOLATOR, WASHER (3 Req'd)	028-09412-002	028-09412-002	028-09412-002	028-09412-002	
*	49	ISOLATOR, SLEEVE (3 Req'd)	028-09412-003	028-09412-003	028-09412-003	028-09412-003	
*	50	MOTOR MOUNT	026-31459-000	026-31480-000	026-31480-000	026-31459-000	

NOTE: *Not Shown

New replacement parts shown in **bold** face type at the first printing of parts list dated 5/04.

Major components and suggested stocking items are shown with shaded item number.

" < " Across from row indicates a change in that row.

--- Not applicable to specified model.



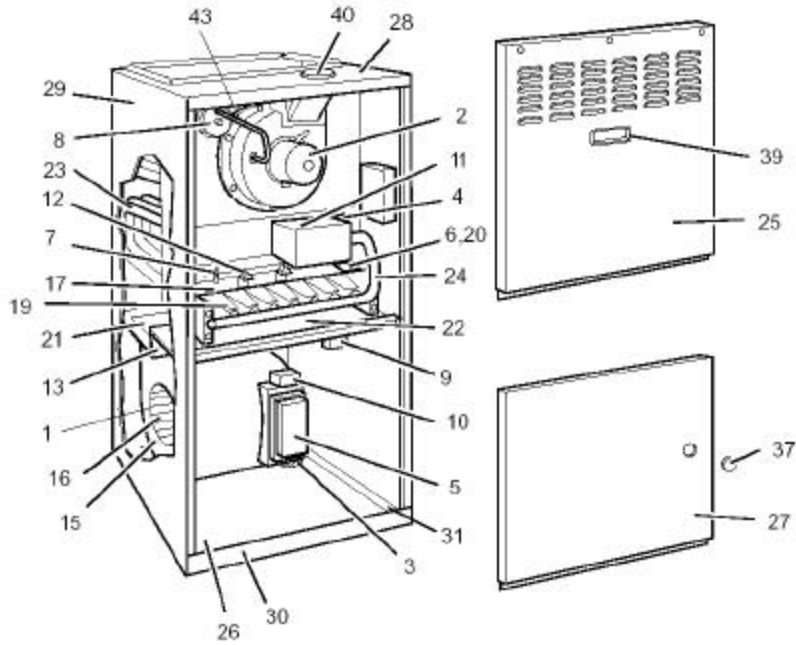


Figure 1: UPFLOW/HORIZONTAL GAS FURNACES (80%)

FIG	ITEM	DESCRIPTION	GM8S115C16UH11	GM8S115C20UH11	GM8S130D20UH11
			A	A	A
			(6 BURNER)	(6 BURNER)	(7 BURNER)
MOTOR					
1	1	MOTOR, DIRECT DRIVE BLOWER	024-27540-000	024-23238-001	024-23238-001
1	2	MOTOR, VENTOR ASS'Y	024-32085-000	024-32085-000	024-32085-000
ELECTRICAL					
1	3	CAPACITOR (10MFD/370V) [RC]	024-20046-000	---	---
		CAPACITOR (15MFD/370V) [RC]	---	024-20446-000	024-20446-000
1	4	CONTROL, HIGH LIMIT [LS1]	025-29041-005	025-29041-005	025-29041-005
1	5	CONTROL, FURNACE [FC]	031-01972-000	031-01972-000	031-01972-000
1	6	IGNITER	025-32625-000	025-32625-000	025-32625-000
1,2	7	SENSOR, FLAME	025-27773-000	025-27773-000	025-27773-000
1	8	SWITCH, AIR PRESSURE [1LP]	024-27630-001	024-27630-001	024-27630-001
1	9	SWITCH, DOOR [SW]	024-31943-000	024-31943-000	024-31943-000
1	10	TRANSFORMER	025-30889-000	025-30889-000	025-30889-000
1,2	11	VALVE, GAS	025-37426-000	025-37426-000	025-37426-000
1,2	12	CONTROL, LIMIT (Top, 2 Req'd) [ROS3]	025-27747-018	025-27747-018	025-27747-018
2	12A	CONTROL, LIMIT (Side, 2 Req'd) [ROS1,2]	025-27792-009	025-27792-009	025-27792-009
1	13	CONTROL, AUXILIARY LIMIT (2 Req'd) [LS2,3]	025-30321-000	025-30321-000	025-30321-000
*	14	FUSE	025-32746-026	025-32746-026	025-32746-026
AIR MOVING					
1	15	HOUSING, BLOWER	373-17828-001	373-17829-001	373-17829-001
1	16	WHEEL, BLOWER	026-19654-005	026-19654-014	026-19654-014
*	16A	PANEL, FILLER WRAP	---	063-78006-000	063-78006-000

NOTE: *Not Shown
 New replacement parts shown in **bold** face type at the first printing of parts list dated 5/04.
 Major components and suggested stocking items are shown with shaded item number.
 "<" Across from row indicates a change in that row.
 --- Not applicable to specified model.

FIG	ITEM	DESCRIPTION	GM8S115C16UH11	GM8S115C20UH11	GM8S130D20UH11
			A	A	A
			(6 BURNER)	(6 BURNER)	(7 BURNER)
FABRICATED PARTS					
1	17	SHIELD, SECONDARY AIR	073-17404-006	073-17404-006	073-17404-007
*	18	BAFFLE, FLUE	073-17775-004	073-17775-004	073-17775-005
1,2	19	BURNER, MAIN GAS	029-20482-000	029-20482-000	029-20482-000
1	20	BRACKET, IGNITER	073-17403-000	073-17403-000	073-17403-000
1	21	DECK, BLOWER (Rear)	073-12082-001	073-12082-001	073-12083-001
1	22	DECK, FRONT	073-17498-000	073-17498-000	073-17499-000
1	23	HEAT EXCHANGER ASS'Y (Primary)	373-17477-006	373-17477-006	373-17477-007
1,2	24	MANIFOLD, GAS	029-22114-005	029-22114-005	029-22114-006
1	25	PANEL, VEST ACCESS (Burner)	373-19816-425	373-19816-425	373-19820-425
1	26	PAN, BASE	073-17504-003	073-17504-003	073-17504-004
1	27	PANEL, BLOWER ACCESS	373-19816-415	373-19816-415	373-19820-415
1	28	PANEL, TOP	073-19862-063	073-19862-063	073-19862-064
1	29	WRAPPER, INSULATED	373-19862-013	373-19862-013	373-19862-014
1	30	CHANNEL, TOE PLATE	073-19862-053	073-19862-053	073-19862-054
1	31	BASE FRAME, SIDE (2 Req'd)	073-19811-085	073-19811-085	073-19811-085
*	32	PLATE, RESTRICTOR	073-17489-177	073-17489-184	073-17490-194
*	33	SHIELD, INDUCER	073-19852-100	073-19852-100	073-19852-100
2	34	BRACKET, ROLL-OUT SWITCH (2 Req'd)	073-12033-000	073-12033-000	073-12033-000
MISCELLANEOUS					
*	35	FILTER	026-38508-000	026-38508-000	026-38508-000
*	36	RACK, FILTER	026-38509-000	026-38509-000	026-38509-000
1	37	PLUG HOLE WINDOW CLEAR-1.5	025-37005-000	025-37005-000	025-37005-000
2	38	ORIFICE, BURNER (Natural #45)	029-21182-045	029-21182-045	029-21182-045
1	39	HANDLE, DOOR	028-14886-000	028-14886-000	028-14886-000
1	40	COLLAR, FLUE	073-17507-000	073-17507-000	073-17507-000
*	41	GROMMET, 1/2" DIA.	025-30823-000	025-30823-000	025-30823-000
*	42	GASKET, RESTRICTOR PLATE	028-13261-000	028-13261-000	028-13262-000
1	43	TUBING, SILICONE	028-12499-000	028-12499-000	028-12499-000
*	44	SPRING, DOOR	029-22119-000	029-22119-000	029-22119-000
*	45	WIRING DIAGRAM	035-19658-002	035-19658-002	035-19658-002
*	46	WIRING HARNESS	373-19870-003	373-19870-003	373-19870-003
*	47	ISOLATOR, TUBE (3 Req'd)	028-09412-001	028-09412-001	028-09412-001
*	48	ISOLATOR, WASHER (3 Req'd)	028-09412-002	028-09412-002	028-09412-002
*	49	ISOLATOR, SLEEVE (3 Req'd)	028-09412-003	028-09412-003	028-09412-003
*	50	MOTOR MOUNT	026-31480-000	026-31459-000	026-31459-000

NOTE: *Not Shown

New replacement parts shown in **bold** face type at the first printing of parts list dated 5/04.

Major components and suggested stocking items are shown with shaded item number.

"←" Across from row indicates a change in that row.

--- Not applicable to specified model.

HIGH PRESSURE SWITCH			
Input (MBH)	Output (MBH)	2,000 Ft. to 5,500 Ft.	>5,500 Ft. to 10,000 Ft.
40	32	1PS0301	1PS0301
60	48	1PS0301	1PS0301
80	64	1PS0302	1PS0302
100	80	1PS0312	1PS0311
115	92	1PS0312	1PS0311
130	104	1PS0312	1PS0311

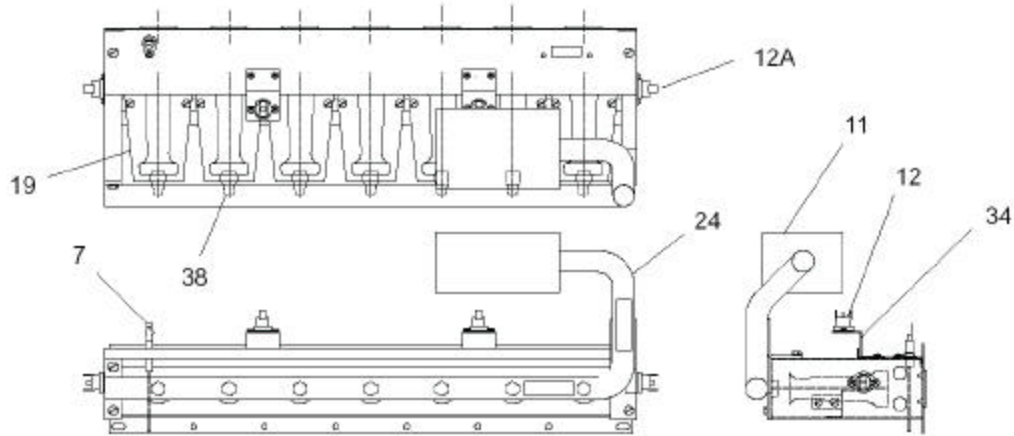


Figure 2: GAS CONTROLS

FIELD INSTALLED ACCESSORIES - NON ELECTRICAL		
MODEL NO.	DESCRIPTION	USED WITH
1NP0347	PROPANE (LP) CONVERSION KIT	040, 080,100
1NP0348		060, 115, 130
1PS0301	HIGH ALTITUDE PRESSURE SWITCH KIT (Does Not Include Orifices)	SEE CHART PAGE 6
1PS0302		
1PS0311		
1PS0312		
1BR0314		
1BR0317	EXTERNAL BOTTOM RETURN FILTER, with High Velocity Filter for Horizontal Application for Upflow Bottom Return Application.	14-1/2" CABINETS
1BR0321		17-1/2" CABINETS
1BR0324		21" CABINETS
1CB0314		24-1/2" CABINETS
1CB0317	COMBUSTIBLE FLOOR BASE for Downflow Units	14-1/2" CABINETS
1CB0321		17-1/2" CABINETS
1CB0324		21" CABINETS
1CB0324		24-1/2" CABINETS
1SR0302	EXTERNAL SIDE FILTER RACK - with Filter Rack (6 pack)	ALL MODELS

FIELD INSTALLED ACCESSORIES - ELECTRICAL		
MODEL NO.	DESCRIPTION	USED WITH
6ET03700324	THERMOSTAT- Hardwired, 1Heat / 1 Cool. Manual changeover. System Switch: Cool-Off-Heat. Fan Switch: Auto-On.	ALL MODELS
6ET03701224	THERMOSTAT-Power Stealing, 1 Heat /1 Cool. Manual changeover. System Switch: Cool-Off-Heat. Fan Switch: Auto-On.	ALL MODELS
6ET03700124	THERMOSTAT-Hardwired, 1 Heat / 1 Cool. Programmable, Auto changeover. System Switch: Cool-Off-Heat. Fan Switch: Auto-On.	ALL MODELS
6ET03701024	THERMOSTAT-Power Stealing, 1 Ht / 1 Cl. Programmable, Auto changeover. System Switch: Cool-Off-Heat. Fan Switch: Auto-On.	ALL MODELS
2TC03700124	TWINNING CONTROL	ALL MODELS

TO ORDER AUTHORIZED FACTORY REPLACEMENT PARTS - Contact your Source1 HVAC Parts Distributor or visit our website at www.Source1Parts.com for a Distributor and Dealer listing.

Subject to change without notice. Printed in U.S.A.
Copyright © by York International Corp. 2004. All rights reserved.

035-20360-001 Rev. A (0504)
Supersedes: Nothing

**Unitary
Products
Group**

**5005
York
Drive**

**Norman
OK
73069**