

# REPLACEMENT PARTS

## PACE MULTI-POSITION NATURAL GAS FURNACES (80+) INCLUDING LOW NOx UNITS (SEE PAGE 6)

Supersedes: Nothing

e

650.69-RP6W (796)

1 of 8  
035-13781

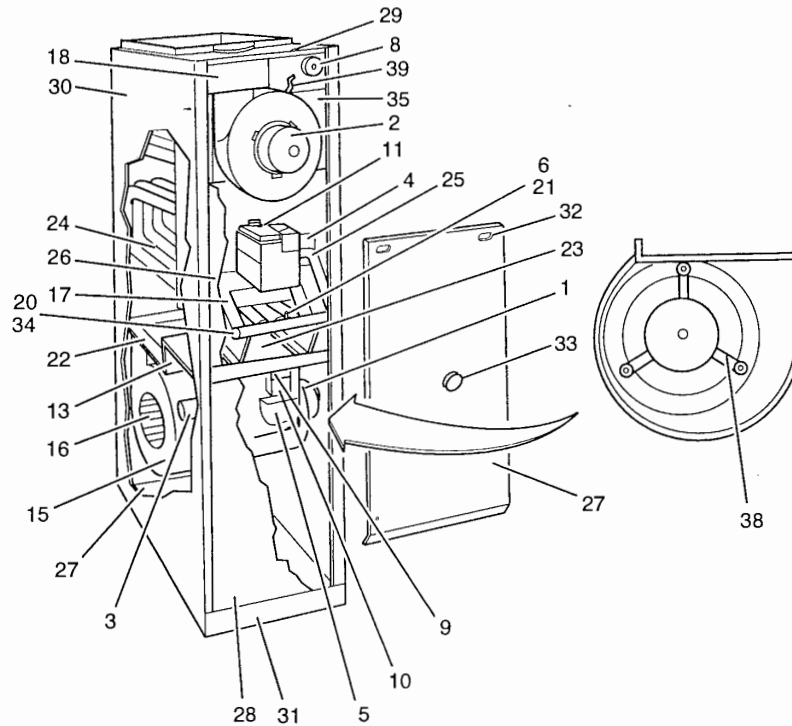


FIG. 1 – MULTI-POSITION NATURAL GAS FURNACES (80+)

### MOTORS

FIG	ITEM	DESCRIPTION	PACE-LD08N040 (2 BURNERS)	PACE-LD08N060 (3 BURNERS)	PACE-LD12N060 (3 BURNERS)	PACE-LD12N080 (4 BURNERS)
1	1	MOTOR, DIRECT DRIVE BLOWER	024-25108-701	024-25879-701	024-25110-700	024-25110-700
1	2	MOTOR, VENTOR WWHEEL & GASKET	373-10337-701	373-10337-701	373-10337-701	373-10337-701

### ELECTRICAL

1	3	CAPACITOR, RUN (5MFD/370V)	[RC]	- - -	024-20043-700	- - -	- - -
1	3	CAPACITOR, RUN (7.5 MFD/370V)	[RC]	024-20045-000	- - -	024-20045-000	024-20045-000
1	4	SWITCH, LIMIT		025-29041-006	025-29041-006	025-29041-006	025-29041-004
1	5	CONTROL, FURNACE	[FC]	031-01266-000	031-01266-000	031-01266-000	031-01266-000
1	6	IGNITION, HOT SURFACE		025-32625-000	025-32625-000	025-32625-000	025-32625-000
*	7	SENSOR, FLAME		025-27773-700	025-27773-700	025-27773-700	025-27773-700
1	8	SWITCH, AIR PRESSURE	[1LP]	024-25808-701	024-25808-701	024-25808-701	024-25808-702
1	9	SWITCH, CONTROL (BLOWER DOOR)	[SW]	024-25811-000	024-25811-000	024-25811-000	024-25811-000
1	10	TRANSFORMER		025-30889-000	025-30889-000	025-30889-000	025-30889-000
1	11	VALVE, GAS		025-31996-000	025-31996-000	025-31996-000	025-31996-000
*	12	SWITCH, FLAME ROLL-OUT	[ROS 3]	025-27747-016	025-27747-016	025-27747-016	025-27747-016
*	12A	SWITCH, FLAME ROLL-OUT	[ROS1, 2]	025-27792-009	025-27792-009	025-27792-009	025-27792-009
1	13	CONTROL, AUXILIARY LIMIT	[LS2, LS3]	025-30321-700	025-30321-700	025-30321-700	025-30321-700
*	14	BRACKET, ROLL-OUT SWITCH		073-12033-700	073-12033-700	073-12033-700	073-12033-700

### AIR MOVING

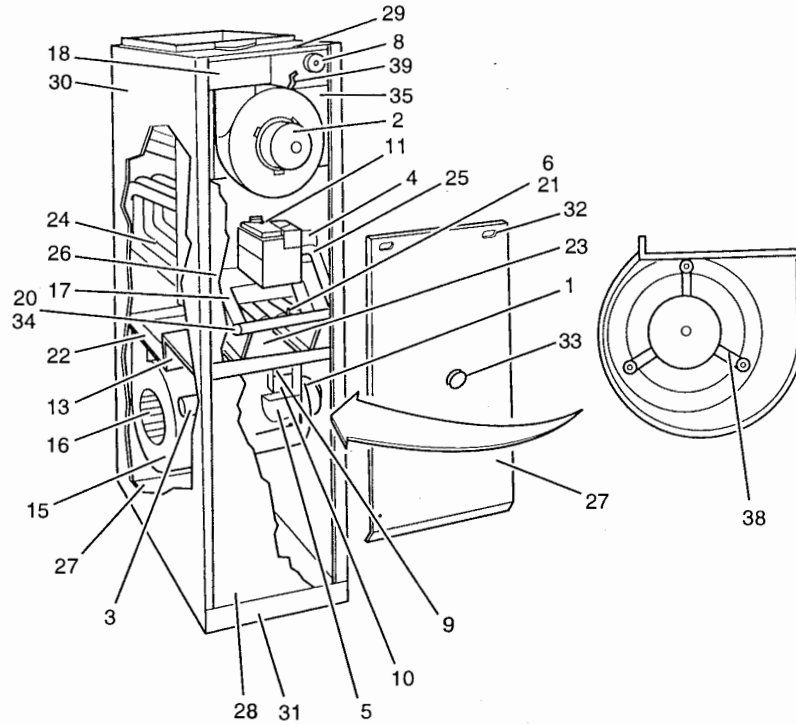
1	15	HOUSING, BLOWER		363-78000-002	373-10702-001	373-10702-001	373-10702-001
1	16	WHEEL, BLOWER		026-19654-002	026-19654-010	026-19654-010	026-19654-010

NOTES: \* NOT SHOWN

MAJOR COMPONENTS AND SUGGESTED STOCKING ITEMS ARE SHOWN WITH SHADED ITEM NUMBER.

"<" AT SIDE OF PAGE INDICATES CHANGE WAS MADE IN THAT ROW.

"<" ACROSS FROM MODEL NUMBER INDICATES ENTIRE PUBLICATION IS NEW.



**FIG. 1 – MULTI-POSITION NATURAL GAS FURNACES (80+)**

**FABRICATED PARTS**

FIG	ITEM	DESCRIPTION	PACE-LD08N040 (2 BURNERS)	PACE-LD08N060 (3 BURNERS)	PACE-LD12N060 (3 BURNERS)	PACE-LD12N080 (4 BURNERS)
1	17	SHIELD, SECONDARY AIR	073-17404-002	073-17404-003	073-17404-003	073-17404-004
1	18	BOX, VENT (ASS'Y)	373-10930-701	373-10930-701	373-10930-701	373-10930-702
*	19	BAFFLE, FLUE	073-12264-701	073-12264-701	073-12264-701	073-12264-702
1	20	BURNER, MAIN GAS	029-20482-000	029-20482-000	029-20482-000	029-20482-000
1	21	BRACKET, IGNITOR	073-17403-000	073-17403-000	073-17403-000	073-17403-000
1	22	DECK, BLOWER (REAR)	073-12411-701	073-12411-702	073-12411-702	073-12411-702
1	23	DECK, FRONT	073-14371-001	073-14371-002	073-14371-002	073-14371-002
1	24	EXCHANGER, HEAT (ASS'Y)	373-10326-702	373-10326-703	373-10326-703	373-10326-704
1	25	MANIFOLD	029-20419-001	029-20419-002	029-20419-002	029-20419-003
1	26	PANEL, ACCESS (BURNERS)	073-12406-701	073-12406-702	073-12406-702	073-12406-702
1	27	PANEL, BASE	073-12409-701	073-12409-702	073-12409-702	073-12409-702
1	28	PANEL, FRONT (BLOWER)	073-16589-011	073-16589-012	073-16589-012	073-16589-012
1	29	PANEL, TOP	373-15599-001	373-15599-002	373-15599-002	373-15599-002
1	30	WRAPPER	373-15599-001	373-15599-002	373-15599-002	373-15599-002
1	31	CHANNEL, TOE PLATE	073-12410-701	073-12410-702	073-12410-702	073-12410-702
1	32	LATCHES, DOOR	021-17190-700	021-17190-700	021-17190-700	021-17190-700
1	33	PLUG, WINDOW	025-30899-000	025-30899-000	025-30899-000	025-30899-000

**MISC.**

1	34	ORIFICE, BURNER (NATURAL #45)	029-21182-045	029-21182-045	029-21182-045	029-21182-045
1	35	PLATE, RESTRICTOR	073-12263-002	073-12263-008	073-12263-008	073-12263-004
*	36	TERMINAL, ELECTRICAL (PIN)	025-20533-900	025-20533-900	025-20533-900	025-20533-900
*	37	TERMINAL, ELECTRICAL (PIN) (1)	025-20919-900	025-20919-900	025-20919-900	025-20919-900
1	38	MOUNT, MOTOR	- - -	026-31480-000	026-31480-000	026-31480-000
1	39	TUBING, RUBBER (1 FT.)	028-11957-000	028-11957-000	028-11957-000	028-11957-000
*	40	PLUG (MALE, 2 CIRCUIT)	025-19672-900	025-19672-900	025-19672-900	025-19672-900
*	41	PLUG (MALE, 4 CIRCUIT)	025-21417-900	025-21417-900	025-21417-900	025-21417-900
*	42	PLUG (MALE, 6 CIRCUIT)	025-19670-900	025-19670-900	025-19670-900	025-19670-900
*	43	PLUG (MALE, 12 CIRCUIT)	025-21196-900	025-21196-900	025-21196-900	025-21196-900

\* NOT SHOWN

(1) SPLIT PINS MUST BE USED IN RECEPTACLES WITH 6 OR MORE CIRCUITS.

MISC. (Cont.)

FIG	ITEM	DESCRIPTION	PACE-LD08N040 (2 BURNERS)	PACE-LD08N060 (3 BURNERS)	PACE-LD12N060 (3 BURNERS)	PACE-LD12N080 (4 BURNERS)
*	44	RECEPTACLE (FEMALE, 2 CIRCUIT)	025-21159-900	025-21159-900	025-21159-900	025-21195-900
*	45	RECEPTACLE (FEMALE, 4 CIRCUIT)	025-21756-900	025-21756-900	025-21756-900	025-21756-900
*	46	RECEPTACLE (FEMALE, 6 CIRCUIT)	025-20963-900	025-20963-900	025-20963-900	025-20963-900
*	47	RECEPTACLE (FEMALE, 12 CIRCUIT)	025-20787-900	025-20787-900	025-20787-900	025-20787-900
*	48	WIRING DIAGRAM	035-13760-000	035-13760-000	035-13760-000	035-13760-000

ADDITIONAL MODELS

MOTORS

FIG	ITEM	DESCRIPTION	PACE-LD14N100 (5 BURNERS)	PACE-LD16N080 (4 BURNERS)	PACE-LD16N120 (6 BURNERS)	PACE-LD20N100 (5 BURNERS)
1	1	MOTOR, DIRECT DRIVE BLOWER	024-25113-701	024-25113-701	- - -	- - -
1	1	MOTOR, DIRECT DRIVE BLOWER	- - -	- - -	024-23238-700	024-23211-702
1	2	MOTOR, VENTOR W/WHEEL & GASKET	373-10337-701	373-10337-701	373-10337-701	373-10337-701

ELECTRICAL

1	3	CAPACITOR, RUN (10MFD/370V) [RC]	024-20046-700	024-20046-700	- - -	024-20046-700
1	3	CAPACITOR, RUN (15MFD/370V) [RC]	- - -	- - -	024-20446-000	- - -
1	4	SWITCH, LIMIT	025-29041-007	025-29041-004	025-29041-002	025-29041-007
1	5	CONTROL, FURNACE [FC]	031-01266-000	031-01266-000	031-01266-000	031-01266-000
1	6	IGNITION, HOT SURFACE	025-32625-000	025-32625-000	025-32625-000	025-32625-000
*	7	SENSOR, FLAME	025-27773-700	025-27773-700	025-27773-700	025-27773-700
1	8	SWITCH, AIR PRESSURE [1LP]	024-25808-702	024-25808-702	024-25808-702	024-25808-702
1	9	SWITCH, CONTROL (BLOWER DOOR) [SW]	024-25811-000	024-25811-000	024-25811-000	024-25811-000
1	10	TRANSFORMER	025-30889-000	025-30889-000	025-30889-000	025-30889-000
1	11	VALVE, GAS	025-31996-000	025-31996-000	025-31996-000	025-31996-000
*	12	SWITCH, FLAME ROLL-OUT [ROS3, 4]	025-27747-018	025-27747-016	025-27747-018	025-27747-018
*	12A	SWITCH, FLAME ROLL-OUT [ROS1, 2]	025-27792-009	025-27792-009	025-27792-009	025-27792-009
1	13	CONTROL, AUXILIARY LIMIT [LS2, LS3]	025-30321-700	025-30321-700	025-30321-700	025-30321-700
*	14	BRACKET, ROLL-OUT SWITCH	073-12033-700	073-12033-700	073-12033-700	073-12033-700

AIR MOVING

1	15	HOUSING, BLOWER	373-07612-000	373-07612-000	373-07612-000	373-06239-000
1	16	WHEEL, BLOWER	026-19654-011	026-19654-005	026-19654-011	026-19654-006

FABRICATED PARTS

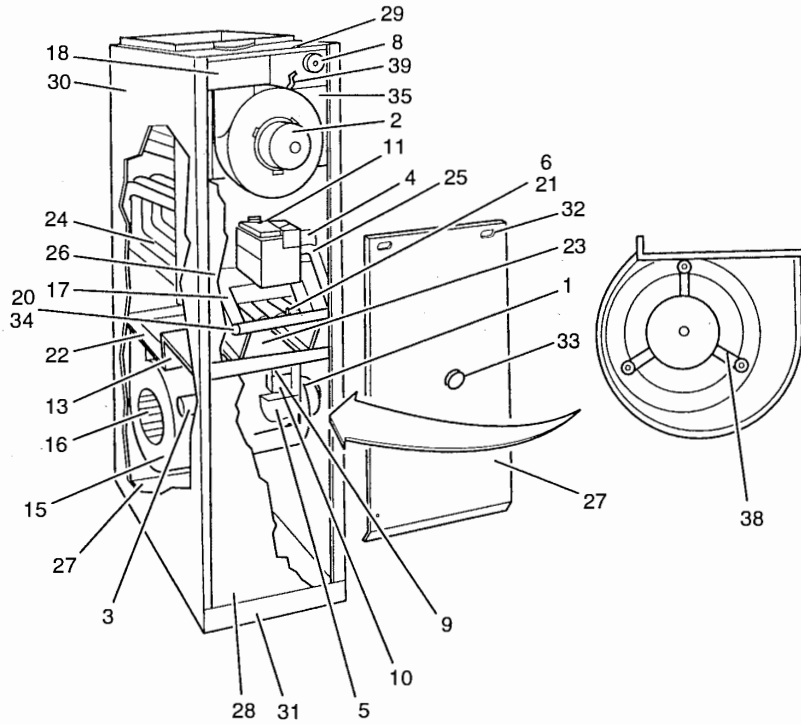
1	17	SHIELD, SECONDARY AIR	073-17404-005	073-17404-004	073-17404-006	073-17404-005
1	18	BOX, VENT (ASS'Y)	373-10930-702	373-10930-702	373-10930-702	373-10930-702
*	19	BAFFLE, FLUE	073-12264-703	073-12264-702	073-12264-704	073-12264-703
1	20	BURNER, MAIN GAS	029-20482-000	029-20482-000	029-20482-000	029-20482-000
1	21	BRACKET, IGNITOR	073-17403-000	073-17403-000	073-17403-000	073-17403-000
1	22	DECK, BLOWER (REAR)	073-12411-703	073-12411-703	073-12411-703	073-12411-703
1	23	DECK, FRONT	073-14371-003	073-14371-003	073-14371-003	073-14371-003
1	24	EXCHANGER, HEAT (ASS'Y)	373-10326-705	373-10326-708	373-10326-706	373-10326-705
1	25	MANIFOLD	029-20419-004	029-20419-003	029-20419-005	029-20419-004
1	26	PANEL, ACCESS (BURNERS)	073-12406-703	073-12406-703	073-12406-703	073-12406-703
1	27	PANEL, BASE	073-12409-003	073-12409-003	073-12409-003	073-12409-003
1	28	PANEL, FRONT (BLOWER)	073-16589-013	073-16589-013	073-16589-013	073-16589-013
1	29	PANEL, TOP	073-12559-703	073-12559-703	073-12559-703	073-12559-703
1	30	WRAPPER	373-15599-003	373-15599-003	373-15599-003	373-15599-003
1	31	CHANNEL, TOE PLATE	073-12410-703	073-12410-703	073-12410-703	073-12410-703
1	32	LATCHES, DOOR	021-17190-700	021-17190-700	021-17190-700	021-17190-700
*	33	PLUG, WINDOW	025-30899-000	025-30899-000	025-30899-000	025-30899-000

NOTES: \* NOT SHOWN

MAJOR COMPONENTS AND SUGGESTED STOCKING ITEMS ARE SHOWN WITH SHADED ITEM NUMBER.

"<" AT SIDE OF PAGE INDICATES CHANGE WAS MADE IN THAT ROW.

"<" ACROSS FROM MODEL NUMBER INDICATES ENTIRE PUBLICATION IS NEW.



**FIG. 1 – MULTI-POSITION NATURAL GAS FURNACES (80+)**

**MISC.**

FIG	ITEM	DESCRIPTION	PACE-LD14N100 (5 BURNERS)	PACE-LD16N080 (4 BURNERS)	PACE-LD16N120 (6 BURNERS)	PACE-LD20N100 (5 BURNERS)
1	34	ORIFICE, BURNER (NATURAL #45)	029-21182-045	029-21182-045	029-21182-045	029-21182-045
1	35	PLATE, RESTRICTOR	073-12263-005	073-12263-004	073-12263-009	073-12263-005
*	36	TERMINAL, ELECTRICAL (PIN)	025-20533-900	025-20533-900	025-20533-900	025-20533-900
*	37	TERMINAL, ELECTRICAL (PIN) (1)	025-20919-900	025-20919-900	025-20919-900	025-20919-900
1	38	MOUNT, MOTOR	026-31480-000	026-31480-000	026-31480-000	026-31459-000
1	39	TUBING, RUBBER (1 FT.)	028-11957-000	028-11957-000	028-11957-000	028-11957-000
*	40	PLUG (MALE, 2 CIRCUIT)	025-19672-900	025-19672-900	025-19672-900	025-19672-900
*	41	PLUG (MALE, 4 CIRCUIT)	025-21417-900	025-21417-900	025-21417-900	025-21417-900
*	42	PLUG (MALE, 6 CIRCUIT)	025-19670-900	025-19670-900	025-19670-900	025-19670-900
*	43	PLUG (MALE, 12 CIRCUIT)	025-21196-900	025-21196-900	025-21196-900	025-21196-900
*	44	RECEPTACLE (FEMALE, 2 CIRCUIT)	025-21159-900	025-21159-900	025-21159-900	025-21159-900
*	45	RECEPTACLE (FEMALE, 4 CIRCUIT)	025-21756-900	025-21756-900	025-21756-900	025-21756-900
*	46	RECEPTACLE (FEMALE, 6 CIRCUIT)	025-20963-900	025-20963-900	025-20963-900	025-20963-900
*	47	RECEPTACLE (FEMALE, 12 CIRCUIT)	025-20787-900	025-20787-900	025-20787-900	025-20787-900
*	48	WIRING DIAGRAM	035-13760-000	035-13760-000	035-13760-000	035-13760-000

**ADDITIONAL MODELS**

**MOTORS**

FIG	ITEM	DESCRIPTION	PACE-LD20N120 (6 BURNERS)	PACE-LD20N140 (7 BURNERS)
1	1	MOTOR, DIRECT DRIVE BLOWER	024-23211-702	024-23211-702
1	2	MOTOR, VENTOR W/WHEEL & GASKET	373-10337-701	373-10337-701

**ELECTRICAL**

1	3	CAPACITOR, RUN (10MFD/370V)	[RC] 024-20046-700	024-20046-700
1	4	SWITCH, LIMIT	025-29041-002	025-29041-003
1	5	CONTROL, FURNACE	[FC] 031-01266-000	031-01266-000
1	6	IGNITION, HOT SURFACE	025-32625-000	025-32625-000
*	7	SENSOR, FLAME	025-27773-700	025-27773-700

NOTES: \* NOT SHOWN

MAJOR COMPONENTS AND SUGGESTED STOCKING ITEMS ARE SHOWN WITH SHADED ITEM NUMBER.

(6) SPLIT PINS MUST BE USED IN RECEPTACLES WITH 6 OR MORE CIRCUITS.

**ELECTRICAL (Cont.)**

FIG	ITEM	DESCRIPTION	PACE-LD20N120 (6 BURNERS)	PACE-LD20N140 (7 BURNERS)
1	8	SWITCH, AIR PRESSURE [1LP]	024-25808-702	024-25808-704
1	9	SWITCH, CONTROL (BLOWER DOOR) [SW]	024-25811-000	024-25811-000
1	10	TRANSFORMER	025-30889-000	025-30889-000
1	11	VALVE, GAS	<b>025-31996-000</b>	<b>025-31996-000</b>
*	12	SWITCH, FLAME ROLL-OUT [ROS3, 4]	025-27747-018	025-27747-018
*	12A	SWITCH, FLAME ROLL-OUT [ROS1, 2]	025-27792-009	025-27792-009
1	13	CONTROL, AUXILIARY [LS2, LS3]	025-30321-700	025-30321-700
*	14	BRACKET, FLAME ROLL-OUT SWITCH	073-12033-700	073-12033-700

**AIR MOVING**

1	15	HOUSING, BLOWER	373-06239-000	373-06239-000
1	16	WHEEL, BLOWER	026-19654-006	026-19654-006

**FABRICATED PARTS**

1	17	SHIELD, SECONDARY AIR	<b>073-17404-005</b>	<b>073-17404-007</b>
1	18	BOX, VENT (ASS'Y)	373-10930-702	373-10930-702
*	19	BAFFLE, FLUE	073-12264-704	073-12264-705
1	20	BURNER, MAIN GAS	029-20482-000	029-20482-000
1	21	BRACKET, IGNITOR	<b>073-17403-000</b>	<b>073-17403-000</b>
1	22	DECK, BLOWER (REAR)	073-12411-703	073-12411-704
1	23	DECK, FRONT	073-14371-003	073-14371-004
1	24	EXCHANGER, HEAT (ASS'Y)	373-10326-706	373-10326-707
1	25	MANIFOLD	029-20419-005	029-20419-006
1	26	PANEL, ACCESS (BURNERS)	073-12406-703	073-12406-704
1	27	PANEL, BASE	073-12409-703	073-12409-704
1	28	PANEL, FRONT (BLOWER)	<b>073-16589-013</b>	<b>073-16589-014</b>
1	29	PANEL, TOP	073-12559-703	073-12559-704
1	30	WRAPPER	373-15599-003	373-15599-004
1	31	CHANNEL, TOE PLATE	073-12410-703	073-12410-704
1	32	LATCHES, DOOR	021-17190-700	021-17190-700
*	33	PLUG, WINDOW	025-30899-000	025-30899-000

**MISC.**

1	34	ORIFICE, BURNER (NATURAL #45)	029-21182-045	029-21182-045
1	35	PLATE, RESTRICTOR	073-12263-009	073-12263-007
*	36	TERMINAL, ELECTRICAL (PIN)	025-20533-900	025-20533-900
*	37	TERMINAL, ELECTRICAL (PIN) (1)	025-20919-900	025-20919-900
1	38	MOUNT, MOTOR	026-31459-000	026-31459-000
1	39	TUBING, RUBBER (1 FT.)	028-11957-000	028-11957-000
*	40	PLUG (MALE, 2 CIRCUIT)	025-19672-900	025-19672-900
*	41	PLUG (MALE, 4 CIRCUIT)	025-21417-900	025-21417-900
*	42	PLUG (MALE, 6 CIRCUIT)	025-19670-900	025-19670-900
*	43	PLUG (MALE, 12 CIRCUIT)	025-21196-900	025-21196-900
*	44	RECEPTACLE (FEMALE 2 CIRCUIT)	025-21159-900	025-21159-900
*	45	RECEPTACLE (FEMALE 4 CIRCUIT)	025-21756-900	025-21756-900
*	46	RECEPTACLE (FEMALE 6 CIRCUIT)	025-20963-900	025-20963-900
*	47	RECEPTACLE (FEMALE 12 CIRCUIT)	025-20787-900	025-20787-900
*	48	WIRING DIAGRAM	035-13760-000	035-13760-000

NOTES: \* NOT SHOWN

MAJOR COMPONENTS AND SUGGESTED STOCKING ITEMS ARE SHOWN WITH SHADED ITEM NUMBER.

(6) SPLIT PINS MUST BE USED IN RECEPTACLES WITH 6 OR MORE CIRCUITS.