

NOTES

REPLACEMENT PARTS

PACR COUNTERFLOW NATURAL GAS FURNACE (80+)

Supersedes: Nothing

e 650.69-RP7W (796)

1 of 4
035-13782

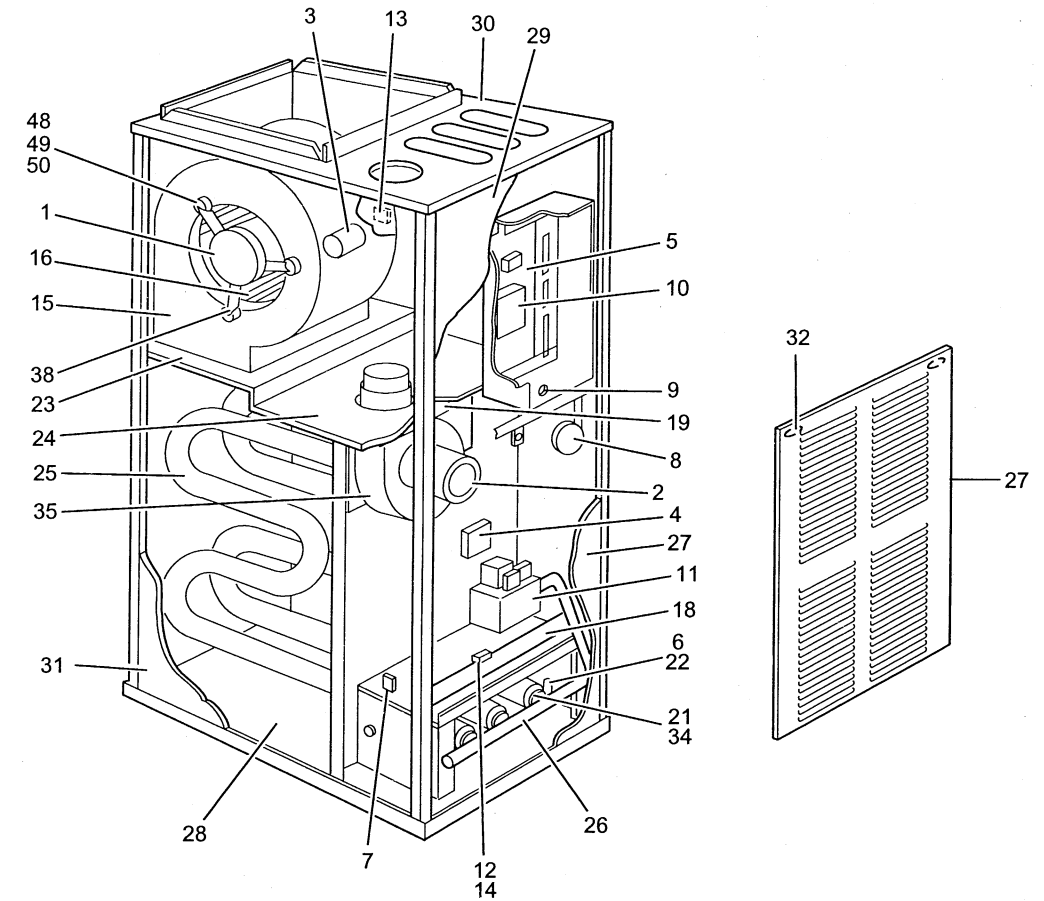


FIG. 1 – COUNTERFLOW NATURAL GAS FURNACE (80+)

SECTION	FIG	ITEM	DESCRIPTION	PACR-LD10N060 (3 BURNERS)	PACR-LD12N080 (4 BURNERS)	PACR-LD12N100 (5 BURNERS)
MOTORS						
	1	1	MOTOR, DIRECT DRIVE BLOWER	024-25942-700	024-25113-700	024-25113-700
	1	2	MOTOR, VENTOR W/WHEEL & GASKET	373-10337-701	373-10337-701	373-10337-701
ELECTRICAL						
	1	3	CAPACITOR, RUN (7.5MFD/370V) [RC]	024-20045-000	- - -	- - -
	1	3	CAPACITOR, RUN (10MFD/370V) [RC]	- - -	024-20046-700	024-20046-700
	1	4	SWITCH, LIMIT [LS1]	025-29041-711	025-29041-002	025-29041-004
	1	5	CONTROL, FURNACE [FC]	031-01266-000	031-01266-000	031-01266-000
	1	6	IGNITION, HOT SURFACE	025-32625-000	025-32625-000	025-32625-000
	1	7	SENSOR, FLAME	025-27773-700	025-27773-700	025-27773-700
	1	8	SWITCH, AIR PRESSURE [1LP]	024-25808-701	024-25808-702	024-25808-702
	1	9	SWITCH, CONTROL (BLOWER DOOR) [SW]	024-25811-000	024-25811-000	024-25811-000
	1	10	TRANSFORMER [1T]	025-30889-000	025-30889-000	025-30889-000
	1	11	VALVE, GAS	025-31996-000	025-31996-000	025-31996-000
	1	12	SWITCH, FLAME ROLL-OUT [ROS1]	025-27747-016	025-27747-016	025-27747-016
	1	13	CONTROL, AUXILIARY LIMIT [LS2]	025-27792-707	025-27792-708	025-27792-707
	1	14	BRACKET, ROLL-OUT, SWITCH	073-12033-700	073-12033-700	073-12033-700
AIR MOVING						
	1	15	HOUSING, BLOWER	373-10702-001	373-10702-001	373-06239-000
	1	16	WHEEL, BLOWER	026-19654-010	026-19654-703	026-19654-705
	*	17	CUT-OFF, BLOWER	- - -	- - -	063-78006-700
FABRICATED PARTS						
	1	18	SHIELD, SECONDARY AIR	073-17404-003	073-17404-004	073-17404-005
	1	19	BOX, VENT (ASS'Y.)	373-10930-701	373-10930-702	373-10930-702
	*	20	BAFFLE, FLUE	073-12264-701	073-12264-702	073-12264-703
	1	21	BURNER, MAIN GAS	029-20482-000	029-20482-000	029-20482-000

NOTES: * Not Shown
Major components and suggested stocking items are shown with shaded item number.
New replacement parts shown in **bold face** type at the first printing of Parts List code dated 7/96.
"←" At side of page indicates change was made in that row.
"←" Across from model number indicates entire publication is new.

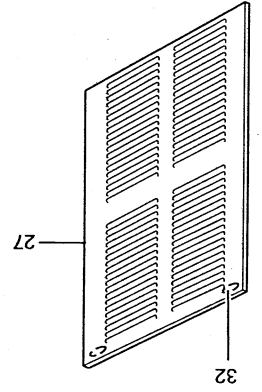
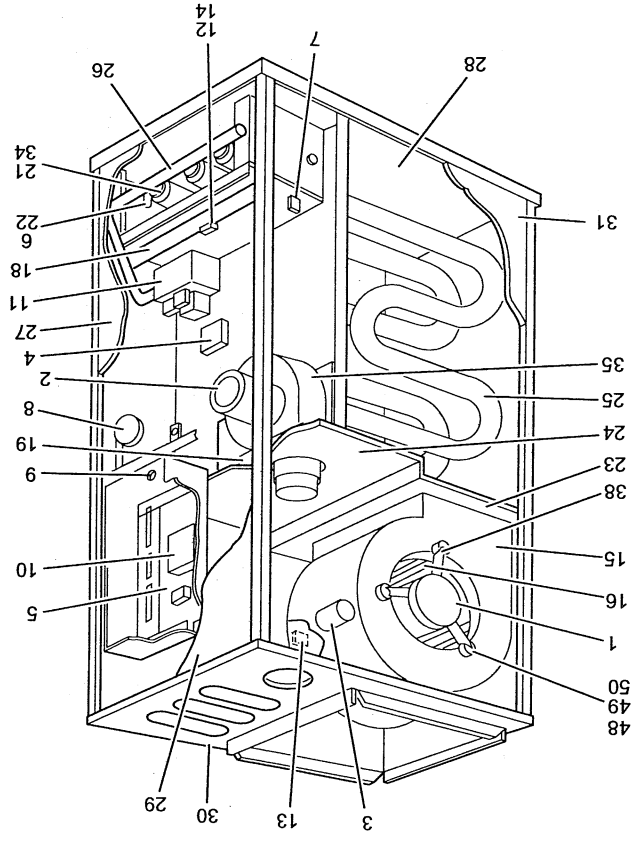


FIG. 1 - COUNTERFLOW NATURAL GAS FURNACE (80+)

SECTION	FIG	ITEM	DESCRIPTION
FABRICATED	1	22	BRACKET, IGNITOR (3 BURNERS) (4 BURNERS) (5 BURNERS)
PARTS	1	23	DECK, BLOWER (REAR)
	1	24	DECK, FRONT
	1	25	EXCHANGER, HEAT (ASS'Y.)
	1	26	MANIFOLD
	1	27	PANEL, ACCESS (BURNERS)
	1	28	PANEL, BASE
	1	29	PANEL, FRONT (BLOWER)
	1	30	PANEL, TOP
	1	31	WRAPPER
	1	32	LATCHES, DOOR
	1	33	PLUG, WINDOW
MISC.			
	1	34	ORIFICE, BURNER (NATURAL #45)
	1	35	PLATE, RESTRICTOR
	1	36	TERMINAL, ELECTRICAL (PIN)
	1	37	TERMINAL, ELECTRICAL (PIN) (1)
	1	38	MOUNT, MOTOR
	1	39	TUBING, RUBBER (1 FT.)
	1	40	PLUG (MALE, 2 CIRCUIT)
	1	41	PLUG (MALE, 4 CIRCUIT)
	1	42	PLUG (MALE, 6 CIRCUIT)
	1	43	PLUG (MALE, 12 CIRCUIT)
	1	44	SOCKET (FEMALE, 2 CIRCUIT)
	1	45	SOCKET (FEMALE, 4 CIRCUIT)
	1	46	SOCKET (FEMALE, 6 CIRCUIT)
	1	47	SOCKET (FEMALE, 12 CIRCUIT)
	1	48	ISOLATOR, TUBE (3 REQ'D)
	1	49	ISOLATOR, TUBE (3 REQ'D)
	1	50	ISOLATOR, WASHER (3 REQ'D)
	1	51	ISOLATOR, SLEEVE (3 REQ'D)
	1	52	WIRING DIAGRAM
	1	53	RACK, FILTER
			PACKR-LD10N060
			PACKR-LD12N080
			PACKR-LD12N100
			029-21182-045
			029-21182-045
			073-12263-713
			073-12263-710
			025-20533-900
			025-20533-900
			025-20919-900
			025-20919-900
			026-31480-000
			026-31480-000
			028-11957-000
			028-11957-000
			025-19672-900
			025-19672-900
			025-19670-900
			025-19670-900
			025-21196-900
			025-21196-900
			025-21159-900
			025-21159-900
			025-21756-900
			025-21756-900
			025-20963-900
			025-20963-900
			025-20787-900
			025-20787-900
			028-12088-001
			028-12088-001
			026-23050-004
			026-23050-004
			362-93782-000

* NOT SHOWN

New replacement parts shown in **bold face** type at the first printing of Parts List code dated 7/96.

(1) SPLIT PINS MUST BE USED IN RECEPTACLES WITH 6 OR MORE CIRCUITS.

SECTION	FIG	ITEM	DESCRIPTION
MOTORS	1	1	MOTOR, DIRECT DRIVE BLOWER (7 BURNERS)
	1	2	MOTOR, VENTOR WHEEL & GASKET
ELECTRICAL	1	3	CAPACITOR, RUN (10MFD/370V)
	1	4	SWITCH, LIMIT
	1	5	CONTROL, FURNACE
	1	6	IGNITION, HOT SURFACE
	1	7	SENSOR, FLAME
	1	8	SWITCH, AIR PRESSURE
	1	9	SWITCH, CONTROL (BLOWER DOOR)
	1	10	TRANSFORMER
	1	11	VALVE, GAS
	1	12	SWITCH, FLAME ROLL-OUT
	1	13	CONTROL, AUXILIARY LIMIT
AIR MOVING	1	14	BRACKET, ROLL-OUT SWITCH
	1	15	HOUSING, BLOWER
	1	16	WHEEL, BLOWER
FABRICATED	1	17	CUT-OFF, BLOWER
PARTS	1	18	SHIELD, SECONDARY AIR
	1	19	BOX, VENT (ASS'Y.)
	1	20	BAFFLE, FLUE
	1	21	BURNER, MAIN GAS
	1	22	BRACKET, IGNITOR
	1	23	DECK, BLOWER (REAR)
	1	24	DECK, FRONT
	1	25	EXCHANGER, HEAT (ASS'Y.)
	1	26	MANIFOLD
	1	27	PANEL, ACCESS (BURNERS)
	1	28	PANEL, BASE
	1	29	PANEL, FRONT (BLOWER)
	1	30	PANEL, TOP
	1	31	WRAPPER
	1	32	LATCHES, DOOR
	1	33	PLUG, WINDOW
MISC.			
	1	34	ORIFICE, BURNER (NATURAL #45)
	1	35	PLATE, RESTRICTOR
	1	36	TERMINAL, ELECTRICAL (PIN)
	1	37	TERMINAL, ELECTRICAL (PIN) (1)
	1	38	MOUNT, MOTOR
	1	39	TUBING, RUBBER (1 FT.)
	1	40	PLUG (MALE, 2 CIRCUIT)
	1	41	PLUG (MALE, 4 CIRCUIT)
	1	42	PLUG (MALE, 6 CIRCUIT)
	1	43	PLUG (MALE, 12 CIRCUIT)
	1	44	SOCKET (FEMALE, 2 CIRCUIT)
	1	45	SOCKET (FEMALE, 4 CIRCUIT)
	1	46	SOCKET (FEMALE, 6 CIRCUIT)
	1	47	SOCKET (FEMALE, 12 CIRCUIT)
	1	48	ISOLATOR, TUBE (3 REQ'D)
	1	49	ISOLATOR, TUBE (3 REQ'D)
	1	50	ISOLATOR, WASHER (3 REQ'D)
	1	51	ISOLATOR, SLEEVE (3 REQ'D)
	1	52	WIRING DIAGRAM
	1	53	RACK, FILTER
			PACKR-LD16N100
			PACKR-LD16N115
			PACKR-LD20N130
			024-23211-702
			024-23211-702
			373-10337-701
			373-10337-701
			024-20046-700
			024-20046-700
			025-29041-711
			025-29041-711
			031-01266-000
			031-01266-000
			025-32625-000
			025-32625-000
			025-27773-700
			025-27773-700
			024-25808-702
			024-25808-702
			024-25811-000
			024-25811-000
			025-30889-000
			025-30889-000
			025-31996-000
			025-31996-000
			025-27747-018
			025-27747-018
			025-27792-708
			025-27792-707
			073-12033-700
			073-12033-700
			373-06239-000
			373-06239-000
			026-19654-706
			026-19654-706
			063-78006-700
			063-78006-700
			073-17404-007
			073-17404-006
			373-10930-702
			373-10930-702
			073-12264-704
			073-12264-704
			029-20482-000
			029-20482-000
			073-17403-000
			073-17403-000
			073-11898-702
			073-11898-702
			073-12695-702
			073-12695-702
			373-10326-706
			373-10326-706
			029-20419-006
			029-20419-006
			073-12408-703
			073-12408-703
			073-12694-702
			073-12694-702
			073-16588-014
			073-16588-013
			073-12696-702
			073-12696-702
			373-15600-003
			373-15600-003
			021-17190-700
			021-17190-700
			025-30899-000
			025-30899-000

NOTES: * Not Shown

Major components and suggested stocking items are shown with shaded item number. Split pins must be used in receptacles with 6 or more circuits. At side of page indicates change was made in that row. * > Across from model number indicates entire publication is new.