

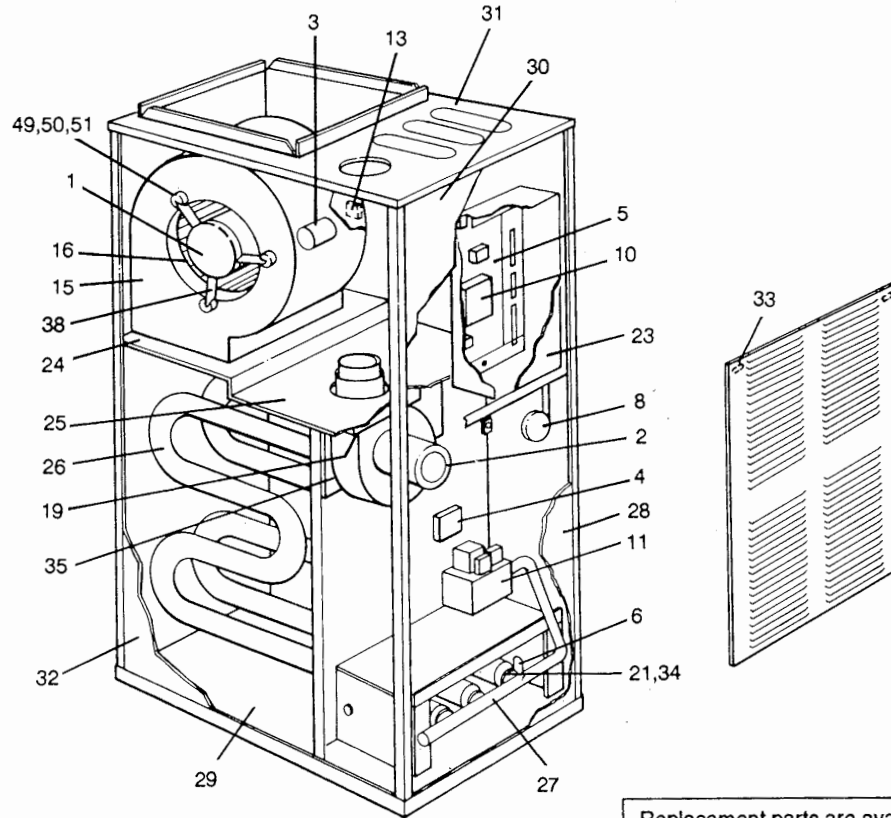
# REPLACEMENT PARTS

## PBKD COUNTERFLOW NATURAL GAS FURNACE (80+)

Supersedes: 650.69-RP4W(594)

650.69-RP4W(794)

1 of 4  
035-10818



Replacement parts are available from local UPG NHAW contractor / dealers or the nearest UPG Distribution Center.

FIG. 1 - COUNTERFLOW NATURAL GAS FURNACE (80 +)

SECTION	FIG	ITEM	DESCRIPTION	PBKD-LD10N060	PBKD-LD12N080	PBKD-LD12N100
MOTORS				(3 BURNERS)	(4 BURNERS)	(5 BURNERS)
	1	1	MOTOR, DIRECT DRIVE BLOWER	024-25942-700	024-25113-700	024-25113-700
	1	2	MOTOR, VENTOR W/WHEEL & GASKET	373-10337-701	373-25113-701	373-10337-701
ELECTRICAL						
	1	3	CAPACITOR, RUN (7.5MFD/370V) (RC)	024-20045-000	- - -	- - -
	1	3	CAPACITOR, RUN (10MFD/370V) (RC)	- - -	024-20046-700	024-20046-700
	1	4	SWITCH, LIMIT (LS1)	025-29041-711	025-29041-002	025-29041-004
	1	5	CONTROL, FURNACE (FC)	031-01140-702	031-01140-702	031-01140-702
	1	6	IGNITION, HOT SURFACE	025-30277-700	025-30277-700	025-30277-700
	1	7	SENSOR, FLAME	025-25434-000	025-25434-000	025-25434-000
	1	8	SWITCH, AIR PRESSURE (1LP)	024-25808-701	024-25808-702	024-25808-702
	1	9	SWITCH, CONTROL (BLOWER DOOR) (SW)	024-25811-000	024-25811-000	024-25811-000
	1	10	TRANSFORMER (1T)	025-19405-700	025-19405-700	025-19405-700
	1	11	VALVE, GAS	025-30251-700	025-30251-700	025-30251-700
	1	12	SWITCH, FLAME ROLL-OUT (ROS 1)	025-27747-016	025-27747-016	025-27747-016
	1	13	CONTROL, AUXILIARY LIMIT (LS2)	025-27792-707	025-27792-708	025-27792-707
	*	14	BRACKET, ROLL-OUT, SWITCH	073-12033-700	073-12033-700	073-12033-700
AIR MOVING						
	1	15	HOUSING, BLOWER	373-10702-001	373-10702-001	373-06239-000
	1	16	WHEEL, BLOWER	026-19654-010	026-19654-703	026-19654-705
	*	17	CUT-OFF, BLOWER	- - -	- - -	063-78006-700
FABRICATED PARTS						
	1	18	SHIELD, SECONDARY AIR	073-12014-703	073-12014-704	073-12014-705
	1	19	BOX, VENT (ASSY)	373-10930-701	373-10930-702	373-10930-702
	*	20	BAFFLE, FLUE	073-10778-701	073-10778-702	073-10778-703
	1	21	BURNER, MAIN GAS	029-20482-000	029-20482-000	029-20482-000

\* NOT SHOWN

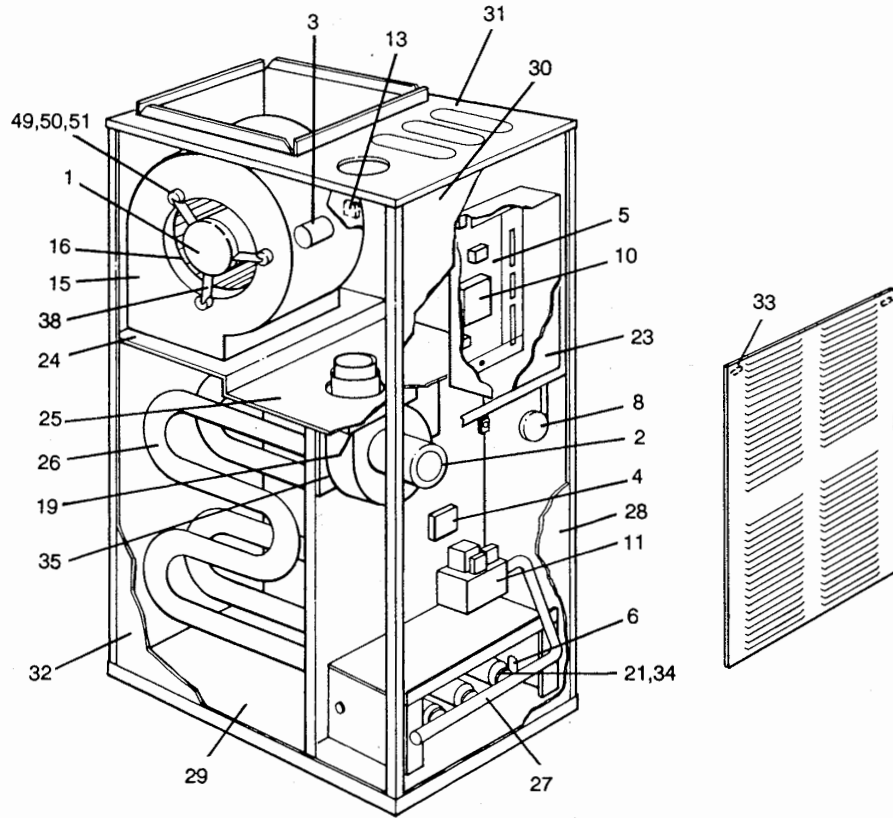


FIG. 1 - COUNTERFLOW NATURAL GAS FURNACE (80 +)

SECTION	FIG	ITEM	DESCRIPTION	PBKD-LD10N060 (3 BURNERS)	PBKD-LD12N080 (4 BURNERS)	PBKD-LD12N100 (5 BURNERS)
FABRICATED						
PARTS	1	22	BRACKET, IGNITOR	073-11277-700	073-11277-700	073-11277-700
	1	23	COVER, CONTROL BOX	073-06391-000	073-06391-000	073-06391-000
	1	24	DECK, BLOWER (REAR)	073-11898-701	073-11898-701	073-11898-702
	1	25	DECK, FRONT	073-12695-701	073-12695-704	073-12695-702
	1	26	EXCHANGER, HEAT (ASSY)	373-10326-703	373-10326-704	373-10326-705
	1	27	MANIFOLD	029-20419-002	029-20419-003	029-20419-004
	1	28	PANEL, ACCESS (BURNERS)	073-12408-702	073-12408-702	073-12408-703
	1	29	PANEL, BASE	073-12694-701	073-12694-701	073-12694-702
	1	30	PANEL, FRONT (BLOWER)	073-11897-712	073-11897-712	073-11897-713
	1	31	PANEL, TOP	073-12696-701	073-12696-704	073-12696-702
	1	32	WRAPPER	373-13036-702	373-13036-702	373-13036-703
	1	33	LATCHES, DOOR	021-17190-700	021-17190-700	021-17190-700
MISC.						
	1	34	ORIFICE, BURNER (NATURAL #44)	029-20423-044	029-20423-044	029-20423-044
	1	35	PLATE, RESTRICTOR	073-10329-713	073-10329-710	073-10329-011
	*	36	TERMINAL, ELECTRICAL (PIN)	025-20533-900	025-20533-900	025-20533-900
	*	37	TERMINAL, ELECTRICAL (PIN) (1)	025-20919-900	025-20919-900	025-20919-900
	1	38	MOUNT, MOTOR	026-31480-000	026-31480-000	026-31480-000
	1	39	TUBING, RUBBER (1 FT)	028-11957-000	028-11957-000	028-11957-000
	*	40	PLUG (MALE, 2 CIRCUIT)	025-19672-900	025-19672-900	025-19672-900
	*	41	PLUG (MALE, 4 CIRCUIT)	025-21417-900	025-21417-900	025-21417-900
	*	42	PLUG (MALE, 6 CIRCUIT)	025-19670-900	025-19670-900	025-19670-900
	*	43	PLUG (MALE, 12 CIRCUIT)	025-21196-900	025-21196-900	025-21196-900
	*	44	SOCKET (FEMALE, 2 CIRCUIT)	025-21159-900	025-21159-900	025-21159-900
	*	45	SOCKET (FEMALE, 4 CIRCUIT)	025-21756-900	025-21756-900	025-21756-900
	*	46	SOCKET (FEMALE, 6 CIRCUIT)	025-20963-900	025-20963-900	025-20963-900
	*	47	SOCKET (FEMALE, 12 CIRCUIT)	025-20787-900	025-20787-900	025-20787-900
	1	48	ISOLATOR, TUBE (3 REQ'D)	028-12088-001	028-12088-001	028-12088-001
	1	49	ISOLATOR, WASHER (3 REQ'D)	028-12088-002	028-12088-002	028-12088-002
	1	50	ISOLATOR, SLEEVE (3 REQ'D)	028-09412-003	028-09412-003	028-09412-003

\* NOT SHOWN

(1) SPLIT PINS MUST BE USED IN RECEPTALS WITH 6 OR MORE CIRCUITS.

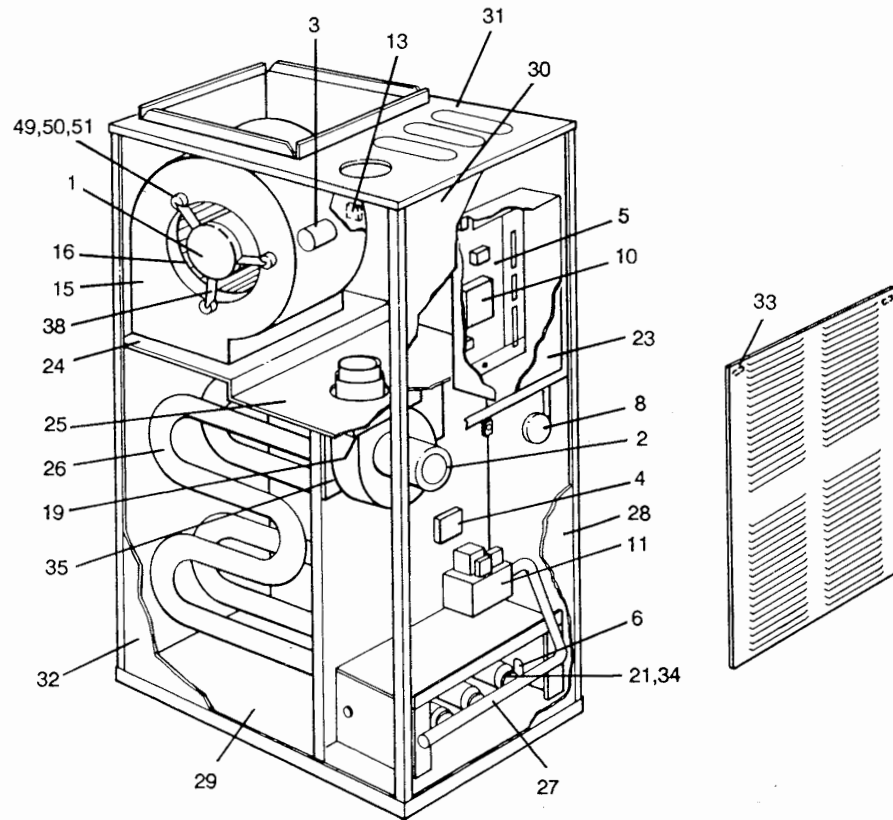


FIG. 1 - COUNTERFLOW NATURAL GAS FURNACE (80 +)

SECTION	FIG	ITEM	DESCRIPTION	PBKD-LD16N100 (5 BURNERS)	PBKD-LD16N115 (6 BURNERS)	PBKD-LD20N130 (7 BURNERS)
MOTORS						
	1	1	MOTOR, DIRECT DRIVE BLOWER	024-23211-701	024-23211-701	024-23211-701
	1	2	MOTOR, VENTOR W/WHEEL & GASKET	373-10337-701	373-10337-701	373-10337-701
ELECTRICAL						
	1	3	CAPACITOR, RUN (10MFD/370V) (RC)	024-20046-700	024-20046-700	024-20046-700
	1	4	SWITCH, LIMIT (LS1)	025-29041-711	025-29041-711	025-29041-711
	1	5	CONTROL, FURNACE (FC)	031-01140-702	031-01140-702	031-01140-702
	1	6	IGNITION, HOT SURFACE	025-30277-700	025-30277-700	025-30277-700
	1	7	SENSOR, FLAME	025-25434-000	025-25434-000	025-25434-000
	1	8	SWITCH, AIR PRESSURE (1LP)	024-25808-702	024-25808-702	024-25808-702
	1	9	SWITCH, CONTROL (BLOWER DOOR) (SW)	024-25811-000	024-25811-000	024-25811-000
	1	10	TRANSFORMER	025-19405-700	025-19405-700	025-19405-700
	1	11	VALVE, GAS	025-30251-700	025-30251-700	025-30251-700
	1	12	SWITCH, FLAME ROLL-OUT (ROS 1, 2)	025-27747-017	025-27747-016	025-27747-018
	1	13	CONTROL, AUXILIARY LIMIT (LS2)	025-27792-707	025-27792-707	025-27792-708
	*	14	BRACKET, ROLL-OUT SWITCH	073-12033-700	073-12033-700	073-12033-700
AIR MOVING						
	1	15	HOUSING, BLOWER	373-06239-000	373-06239-000	373-06239-000
	1	16	WHEEL, BLOWER	026-19654-706	026-19654-706	026-19654-706
	*	17	CUT-OFF, BLOWER	063-78006-700	063-78006-700	063-78006-700
FABRICATED						
PARTS						
	1	18	SHIELD, SECONDARY AIR	073-12014-705	073-12014-706	073-12014-707
	1	19	BOX, VENT (ASSY)	373-10930-702	373-10930-702	373-10930-702
	*	20	BAFFLE, FLUE	073-10778-703	073-10778-704	073-10778-705
	1	21	BURNER, MAIN GAS	029-20482-000	029-20482-000	029-20482-000

\* NOT SHOWN

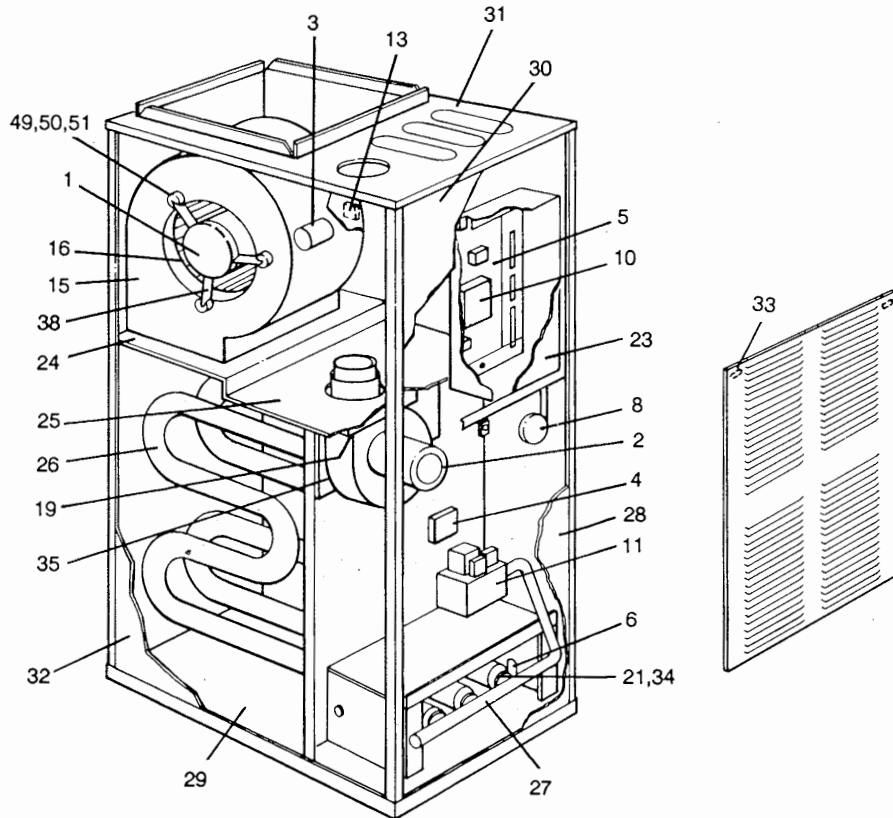


FIG. 1 - COUNTERFLOW NATURAL GAS FURNACE (80 +)

SECTION	FIG	ITEM	DESCRIPTION	PBKD-LD16N100	PBKD-LD16N115	PBKD-LD20N130
FABRICATED				(5 BURNERS)	(6 BURNERS)	(7 BURNERS)
PARTS	1	22	BRACKET, IGNITOR	073-11277-700	073-11277-700	073-11277-700
	1	23	COVER, CONTROL BOX	073-06391-000	073-06391-000	073-06391-000
	1	24	DECK, BLOWER (REAR)	073-11898-702	073-11898-702	073-11898-703
	1	25	DECK, FRONT	073-12695-702	073-12695-702	073-12695-703
	1	26	EXCHANGER, HEAT (ASSY)	373-10326-705	373-10326-706	373-10326-707
	1	27	MANIFOLD	029-20419-004	029-20419-005	029-20419-006
	1	28	PANEL, ACCESS (BURNERS)	073-12408-703	073-12408-703	073-12408-704
	1	29	PANEL, BASE	073-12694-702	073-12694-702	073-12694-703
	1	30	PANEL, FRONT (BLOWER)	073-11897-713	073-11897-713	073-11897-714
	1	31	PANEL, TOP	073-12696-702	073-12696-702	073-12696-703
	1	32	WRAPPER	373-13036-703	373-13036-703	373-13036-704
	1	33	LATCHES, DOOR	021-17190-700	021-17190-700	021-17190-700
MISC.						
	1	34	ORIFICE, BURNER (NATURAL #44)	029-20423-044	029-20423-045	029-20423-045
	1	35	PLATE, RESTRICTOR	073-10329-011	073-10329-014	073-10329-712
	*	36	TERMINAL, ELECTRICAL (PIN)	025-20533-900	025-20533-900	025-20533-900
	*	37	TERMINAL, ELECTRICAL (PIN) (1)	025-20919-900	025-20919-900	025-20919-900
	1	38	MOUNT, MOTOR	026-31459-000	026-31480-000	026-31459-000
	1	39	TUBING, RUBBER (1 FT)	028-11957-000	028-11957-000	028-11957-000
	*	40	PLUG (MALE, 2 CIRCUIT)	025-19672-900	025-19672-900	025-19672-900
	*	41	PLUG (MALE, 4 CIRCUIT)	025-21417-900	025-21417-900	025-21417-900
	*	42	PLUG (MALE, 6 CIRCUIT)	025-19670-900	025-19670-900	025-19670-900
	*	43	PLUG (MALE, 12 CIRCUIT)	025-21196-900	025-21196-900	025-21196-900
	*	44	SOCKET (FEMALE, 2 CIRCUIT)	025-21159-900	025-21159-900	025-21159-900
	*	45	SOCKET (FEMALE, 4 CIRCUIT)	025-21756-900	025-21756-900	025-21756-900
	*	46	SOCKET (FEMALE, 6 CIRCUIT)	025-20963-900	025-20963-900	025-20963-900
	*	47	SOCKET (FEMALE, 12 CIRCUIT)	025-20787-900	025-20787-900	025-20787-900
	*	48	ISOLATOR, TUBE (3 REQ'D)	028-12088-001	028-12088-001	028-12088-001
	*	49	ISOLATOR, TUBE (3 REQ'D)	028-12088-002	028-12088-002	028-12088-002
	*	50	ISOLATOR, TUBE (3 REQ'D)	028-09412-003	028-09412-003	028-09412-003

\* NOT SHOWN

(1) SPLIT PINS MUST BE USED IN RECEPTICALS WITH 6 OR MORE CIRCUITS.