

NOTE: **STYLE "G" MODELS ARE THE SAME AS STYLE "A" EXCEPT FOR THE FOLLOWING PARTS:**

DESCRIPTION	PBKM-LD08N040G (2 BURNERS)	PBKM-LD08N060G (3 BURNERS)	PBKM-LD12N060G (3 BURNERS)	PBKM-LD12N080G (4 BURNERS)
SENSOR, FLAME	025-27773-700	025-27773-700	025-27773-700	025-27773-700
SHIELD, SECONDARY AIR WRAPPER	073-14202-002	073-14202-003	073-14202-003	073-14202-004
ORIFICE, BURNER (NATURAL #45)	029-21182-045	029-21182-045	029-21182-045	029-21182-045
DECK, FRONT	073-14371-001	073-14371-002	073-14371-002	073-14371-002
CONTROL, FURNACE	031-01250-000	031-01250-000	031-01250-000	031-01250-000
SWITCH, FLAME ROLL-OUT [ROS1, 2]	025-27792-009	025-27792-009	025-27792-009	025-27792-009
SWITCH, FLAME ROLL-OUT [ROS3]	025-27747-016	025-27747-016	025-27747-016	025-27747-016
PANEL, FRONT (BLOWER)	073-16589-001	073-16589-002	073-16589-002	073-16589-002
IGNITOR, HOT SURFACE	025-31802-000	025-31802-000	025-31802-000	025-31802-000

DESCRIPTION	PBKM-LD14N100G (5 BURNERS)	PBKM-LD16N080G (4 BURNERS)	PBKM-LD16N120G (6 BURNERS)	PBKM-LD20N100G (5 BURNERS)
SENSOR, FLAME	025-27773-700	025-27773-700	025-27773-700	025-27773-700
SHIELD, SECONDARY AIR WRAPPER	073-14202-005	073-14202-004	073-14202-006	073-14202-005
ORIFICE, BURNER (NATURAL #45)	029-21182-045	029-21182-045	029-21182-045	029-21182-045
SWITCH, FLAME ROLL-OUT [ROS1, 2]	025-27792-009	025-27792-009	025-27792-009	025-27792-009
SWITCH, FLAME ROLL-OUT [ROS3, 4]	025-27747-018	025-27747-016	025-27747-018	025-27747-018
DECK, FRONT	073-14371-003	073-14371-003	073-14371-003	073-14371-003
CONTROL, FURNACE	031-01250-000	031-01250-000	031-01250-000	031-01250-000
PANEL, FRONT (BLOWER)	073-16589-003	073-16589-003	073-16589-003	073-16589-003
IGNITOR, HOT SURFACE	025-31802-000	025-31802-000	025-31802-000	025-31802-000

DESCRIPTION	PBKM-LD20N120G (6 BURNERS)	PBKM-LD20N140G (7 BURNERS)
SENSOR, FLAME	025-27773-700	025-27773-700
SHIELD, SECONDARY AIR WRAPPER	073-14202-006	073-14202-007
ORIFICE, BURNER (NATURAL #45)	029-21182-045	029-21182-045
SWITCH, FLAME ROLL-OUT [ROS1, 2]	025-27792-009	025-27792-009
SWITCH, FLAME ROLL-OUT [ROS3, 4]	025-27747-018	025-27747-018
DECK, FRONT	073-14371-003	073-14371-004
CONTROL, FURNACE	031-01250-000	031-01250-000
PANEL, FRONT (BLOWER)	073-16589-003	073-16589-004
IGNITOR, HOT SURFACE	025-31802-000	025-31802-000

"<" At side of page indicates change was made in that row.
 "<" Across from model number indicates entire publication is new.

New replacement parts shown in **bold face** type at the first printing of Parts List code dated 10/95.

LOW NOx UNITS **STYLE "A"** ARE THE SAME AS REGULAR UNITS **STYLE "C"** EXCEPT FOR THE FOLLOWING PARTS:

MODEL PBKM-LD	STYLE	BURNER, ORIFICE	NOx SCREEN
08L040	A	029-20423-045	073-11904-000
08L060	A	029-20423-045	073-11904-000
12L060	A	029-20423-045	073-11904-000
12L080	A	029-20423-045	073-11904-000
14L100	A	029-20423-045	073-11904-000
16L080	A	029-20423-045	073-11904-000
16L120	A	029-20423-045	073-11904-000
20L100	A	029-20423-045	073-11904-000
20L120	A	029-20423-045	073-11904-000
20L140	A	029-20423-045	073-11904-000

LOW NOx UNITS **STYLE "B,C,D,E"** ARE THE SAME AS REGULAR UNITS **STYLE "D,E,F,G"** EXCEPT FOR THE FOLLOWING PARTS:

MODEL PBKM-LD	STYLE	NOx SCREEN
08L040	B,C,D,E	073-11904-000
08L060	B,C,D,E	073-11904-000
12L060	B,C,D,E	073-11904-000
12L080	B,C,D,E	073-11904-000
14L100	B,C,D,E	073-11904-000
16L080	B,C,D,E	073-11904-000
16L120	B,C,D,E	073-11904-000
20L100	B,C,D,E	073-11904-000
20L120	B,C,D,E	073-11904-000
20L140	B,C,D,E	073-11904-000

New replacement parts shown in **bold face** type at the first printing of Parts List code dated 10/95.

REPLACEMENT PARTS

PBKM (STYLES "A" THRU "G")
MULTI-POSITION NATURAL GAS FURNACES (80+)
 INCLUDING LOW NOx UNITS (SEE PAGE 8)

Supersedes: SEE BELOW

e 650.69-RP2W (1095)

Supersedes: 650.69-RP2W (194), 650.69-RP2W (Errata 1) (394)

1 of 8
 035-11352

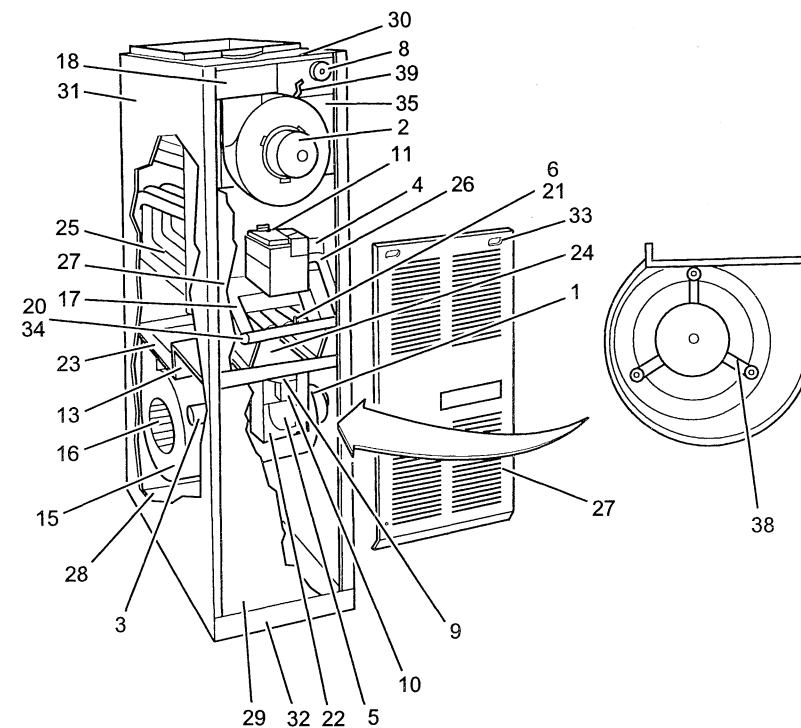


FIG. 1 – MULTI-POSITION NATURAL GAS FURNACES (80+)

MOTORS

FIG	ITEM	DESCRIPTION	PBKM-LD08N040 (2 BURNERS)	PBKM-LD08N060 (3 BURNERS)	PBKM-LD12N060 (3 BURNERS)	PBKM-LD12N080 (4 BURNERS)
1	1	MOTOR, DIRECT DRIVE BLOWER	024-25108-701	024-25879-700	024-25110-700	024-25110-700
1	2	MOTOR, VENTOR W/WHEEL & GASKET	373-10337-701	373-10337-701	373-10337-701	373-10337-701

ELECTRICAL

1	3	CAPACITOR, RUN (5MFD/370V)	[RC]	- - -	024-20043-700	- - -	- - -
1	3	CAPACITOR, RUN (7.5 MFD/370V)	[RC]	024-20045-000	- - -	024-20045-000	024-20045-000
1	4	SWITCH, LIMIT		025-29041-006	025-29041-006	025-29041-006	025-29041-004
1	5	CONTROL, FURNACE	[FC]	031-01234-700	031-01234-700	031-01234-700	031-01234-700
1	6	IGNITION, HOT SURFACE		025-30385-700	025-30385-700	025-30385-700	025-30385-700
*	7	SENSOR, FLAME		025-25434-000	025-25434-000	025-25434-000	025-25434-000
1	8	SWITCH, AIR PRESSURE	[1LP]	024-25808-701	024-25808-701	024-25808-701	024-25808-702
1	9	SWITCH, CONTROL (BLOWER DOOR)	[SW]	024-25811-000	024-25811-000	024-25811-000	024-25811-000
1	10	TRANSFORMER		025-19405-700	025-19405-700	025-19405-700	025-19405-700
1	11	VALVE, GAS		025-30251-700	025-30251-700	025-30251-700	025-30251-700
*	12	SWITCH, FLAME ROLL-OUT	[ROS1, 2, 3]	025-27747-016	025-27747-016	025-27747-016	025-27747-016
1	13	CONTROL, AUXILIARY LIMIT	[LS2, LS3]	025-30321-700	025-30321-700	025-30321-700	025-30321-700
*	14	BRACKET, ROLL-OUT SWITCH		073-12033-700	073-12033-700	073-12033-700	073-12033-700

AIR MOVING

1	15	HOUSING, BLOWER	363-78000-002	373-10702-001	373-10702-001	373-10702-001
1	16	WHEEL, BLOWER	026-19654-002	026-19654-010	026-19654-010	026-19654-010

NOTES: * NOT SHOWN
 MAJOR COMPONENTS AND SUGGESTED STOCKING ITEMS ARE SHOWN WITH SHADED ITEM NUMBER.
 "<" AT SIDE OF PAGE INDICATES CHANGE WAS MADE IN THAT ROW.
 "<" ACROSS FROM MODEL NUMBER INDICATES ENTIRE PUBLICATION IS NEW.

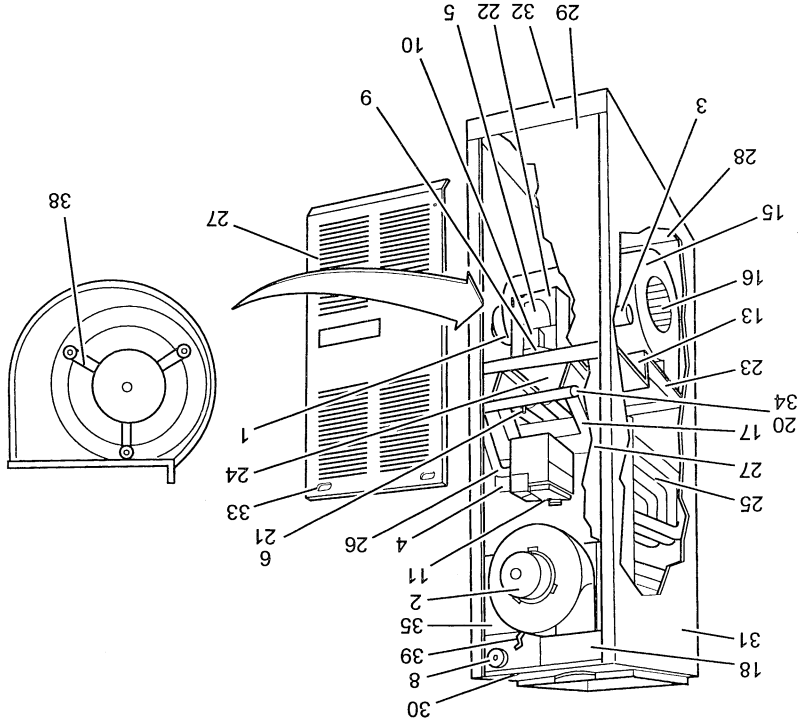


FIG. 1 – MULTI-POSITION NATURAL GAS FURNACES (80+)

FABRICATED PARTS

FIG. ITEM	DESCRIPTION	PBKM-LD08N040	PBKM-LD08N060	PBKM-LD12N060	PBKM-LD12N080
1	SHIELD, SECONDARY AIR	(2 BURNERS)	(3 BURNERS)	(3 BURNERS)	(4 BURNERS)
17	SHIELD, SECONDARY AIR	(2 BURNERS)	(3 BURNERS)	(3 BURNERS)	(4 BURNERS)
18	BOX, VENT (ASS'Y)	373-10930-701	373-10930-701	373-10930-701	373-10930-701
19	BAFFLE, FLUE	073-12264-701	073-12264-701	073-12264-701	073-12264-701
20	BURNER, MAIN GAS	029-20482-000	029-20482-000	029-20482-000	029-20482-000
21	BRACKET, IGNITOR	073-11277-700	073-11277-700	073-11277-700	073-11277-700
22	COVER, CONTROL BOX	073-06391-000	073-06391-000	073-06391-000	073-06391-000
23	DECK, BLOWER (REAR)	073-12411-701	073-12411-702	073-12411-702	073-12411-702
24	DECK, FRONT	073-10324-701	073-10324-702	073-10324-702	073-10324-702
25	EXCHANGER, HEAT (ASS'Y)	373-10326-702	373-10326-703	373-10326-703	373-10326-704
26	MANIFOLD	029-20419-001	029-20419-002	029-20419-002	029-20419-003
27	PANEL, ACCESS (BURNERS)	073-12408-701	073-12408-702	073-12408-702	073-12408-702
28	PANEL, BASE	073-12409-701	073-12409-702	073-12409-702	073-12409-702
29	PANEL, FRONT (BLOWER)	063-93164-011	063-93164-012	063-93164-012	063-93164-012
30	PANEL, TOP	073-12559-701	073-12559-705	073-12559-705	073-12559-702
31	WRAPPER	373-10323-701	373-10323-702	373-10323-702	373-10323-702
32	CHANNEL, TOE PLATE	073-12410-701	073-12410-702	073-12410-702	073-12410-702
33	LATCHES, DOOR	021-17190-700	021-17190-700	021-17190-700	021-17190-700

MISC.

1	ORIFICE, BURNER (NATURAL #44)	029-20423-044	029-20423-044	029-20423-044	029-20423-044
34	ORIFICE, BURNER (NATURAL #44)	029-20423-044	029-20423-044	029-20423-044	029-20423-044
35	PLATE, RESTRICTOR	073-12263-002	073-12263-008	073-12263-008	073-12263-004
36	TERMINAL, ELECTRICAL (PIN)	025-20533-900	025-20533-900	025-20533-900	025-20533-900
37	TERMINAL, ELECTRICAL (PIN) (1)	025-20919-900	025-20919-900	025-20919-900	025-20919-900
38	MOUNT, MOTOR	- - -	- - -	- - -	- - -
39	TUBING, RUBBER (1 FT.)	028-11957-000	028-11957-000	028-11957-000	028-11957-000
40	PLUG (MALE, 2 CIRCUIT)	025-19672-900	025-19672-900	025-19672-900	025-19672-900
41	PLUG (MALE, 4 CIRCUIT)	025-21417-900	025-21417-900	025-21417-900	025-21417-900
42	PLUG (MALE, 6 CIRCUIT)	025-19670-900	025-19670-900	025-19670-900	025-19670-900
43	PLUG (MALE, 12 CIRCUIT)	025-21196-900	025-21196-900	025-21196-900	025-21196-900

NOTES: * NOT SHOWN
 (1) SPLIT PINS MUST BE USED IN RECEPTACLES WITH 6 OR MORE CIRCUITS.
 <" AT SIDE OF PAGE INDICATES CHANGE WAS MADE IN THAT ROW.
 <" ACROSS FROM MODEL NUMBER INDICATES ENTIRE PUBLICATION IS NEW.

Unitary Products Group

NOTE: STYLE "E" MODELS ARE THE FOLLOWING PARTS:
 EXCEPT FOR THE FOLLOWING PARTS:

DESCRIPTION	PBKM-LD08N040E	PBKM-LD08N060E	PBKM-LD12N060E	PBKM-LD12N080E
DECK, FRONT	073-14371-001	073-14371-002	073-14371-002	073-14371-002
ORIFICE, BURNER (NATURAL #45)	029-21182-045	029-21182-045	029-21182-045	029-21182-045
WRAPPER	373-14203-001	373-14203-002	373-14203-002	373-14203-002
SHIELD, SECONDARY AIR	073-14202-002	073-14202-003	073-14202-003	073-14202-004
SENSOR, FLAME	025-27773-700	025-27773-700	025-27773-700	025-27773-700
SENSOR, FLAME	(2 BURNERS)	(3 BURNERS)	(3 BURNERS)	(4 BURNERS)
SHIELD, SECONDARY AIR	073-14202-002	073-14202-003	073-14202-003	073-14202-004
WRAPPER	373-14203-003	373-14203-003	373-14203-003	373-14203-003
ORIFICE, BURNER (NATURAL #45)	029-21182-045	029-21182-045	029-21182-045	029-21182-045
SWITCH, FLAME ROLL-OUT	[ROST, 2]	025-27747-016	025-27747-016	025-27747-016
SWITCH, FLAME ROLL-OUT	[ROST, 2, 3]	- - -	- - -	- - -
SWITCH, FLAME ROLL-OUT	[ROST, 4]	025-27747-018	025-27747-018	025-27747-018
DECK, FRONT	073-14371-003	073-14371-003	073-14371-003	073-14371-003

NOTE: STYLE "F" MODELS ARE THE SAME AS STYLE "A"
 EXCEPT FOR THE FOLLOWING PARTS:

DESCRIPTION	PBKM-LD08N040F	PBKM-LD08N060F	PBKM-LD12N060F	PBKM-LD12N080F
DECK, FRONT	073-14371-001	073-14371-002	073-14371-002	073-14371-002
ORIFICE, BURNER (NATURAL #45)	029-21182-045	029-21182-045	029-21182-045	029-21182-045
WRAPPER	373-15599-001	373-15599-002	373-15599-002	373-15599-002
SHIELD, SECONDARY AIR	073-14202-002	073-14202-003	073-14202-003	073-14202-004
SENSOR, FLAME	025-27773-700	025-27773-700	025-27773-700	025-27773-700
SENSOR, FLAME	(2 BURNERS)	(3 BURNERS)	(3 BURNERS)	(4 BURNERS)
SHIELD, SECONDARY AIR	073-14202-002	073-14202-003	073-14202-003	073-14202-004
WRAPPER	373-15599-001	373-15599-002	373-15599-002	373-15599-002
ORIFICE, BURNER (NATURAL #45)	029-21182-045	029-21182-045	029-21182-045	029-21182-045
SWITCH, FLAME ROLL-OUT	[ROST, 2]	025-27792-009	025-27792-009	025-27792-009
SWITCH, FLAME ROLL-OUT	[ROST, 3]	025-27747-016	025-27747-016	025-27747-016
DECK, FRONT	073-14371-003	073-14371-003	073-14371-003	073-14371-003

NOTE: STYLE "G" MODELS ARE THE SAME AS STYLE "A"
 EXCEPT FOR THE FOLLOWING PARTS:

DESCRIPTION	PBKM-LD14N100F	PBKM-LD16N080F	PBKM-LD16N120F	PBKM-LD20N100F
DECK, FRONT	073-14371-003	073-14371-003	073-14371-003	073-14371-003
ORIFICE, BURNER (NATURAL #45)	029-21182-045	029-21182-045	029-21182-045	029-21182-045
WRAPPER	373-15599-003	373-15599-003	373-15599-003	373-15599-003
SHIELD, SECONDARY AIR	073-14202-005	073-14202-004	073-14202-004	073-14202-005
SENSOR, FLAME	025-27773-700	025-27773-700	025-27773-700	025-27773-700
SENSOR, FLAME	(4 BURNERS)	(4 BURNERS)	(6 BURNERS)	(6 BURNERS)
SHIELD, SECONDARY AIR	073-14202-002	073-14202-003	073-14202-003	073-14202-004
WRAPPER	373-15599-003	373-15599-003	373-15599-003	373-15599-003
ORIFICE, BURNER (NATURAL #45)	029-21182-045	029-21182-045	029-21182-045	029-21182-045
SWITCH, FLAME ROLL-OUT	[ROST, 2]	025-27792-009	025-27792-009	025-27792-009
SWITCH, FLAME ROLL-OUT	[ROST, 4]	025-27747-018	025-27747-018	025-27747-018
DECK, FRONT	073-14371-003	073-14371-003	073-14371-003	073-14371-003

<" AT SIDE OF PAGE INDICATES CHANGE WAS MADE IN THAT ROW.
 <" ACROSS FROM MODEL NUMBER INDICATES ENTIRE PUBLICATION IS NEW.

Unitary Products Group

New replacement parts shown in bold face type at the first printing of Parts List code dated 10/95.

NOTE: **STYLE "C" MODELS ARE THE SAME AS STYLE "A"**
EXCEPT FOR THE FOLLOWING PARTS:

DESCRIPTION	PBKM-LD08N040C (2 BURNERS)	PBKM-LD08N060C (3 BURNERS)	PBKM-LD12N060C (3 BURNERS)	PBKM-LD12N080C (4 BURNERS)
SENSOR, FLAME	025-27773-700	025-27773-700	025-27773-700	025-27773-700
SHIELD, SECONDARY AIR	073-12014-002	073-12014-003	073-12014-003	073-12014-004

DESCRIPTION	PBKM-LD14N100C (5 BURNERS)	PBKM-LD16N080C (4 BURNERS)	PBKM-LD16N120C (6 BURNERS)	PBKM-LD20N100C (5 BURNERS)
SENSOR, FLAME	025-27773-700	025-27773-700	025-27773-700	025-27773-700
SHIELD, SECONDARY AIR	073-12014-005	073-12014-004	073-12014-006	073-12014-005
SWITCH, FLAME ROLL-OUT [ROS1, 2]	025-27747-016	- - -	025-27747-016	025-27747-016
SWITCH, FLAME ROLL-OUT [ROS1, 2, 3]	- - -	025-27747-016	- - -	- - -
SWITCH, FLAME ROLL-OUT [ROS3, 4]	025-27747-018	- - -	025-27747-018	025-27747-018

DESCRIPTION	PBKM-LD20N120C (6 BURNERS)	PBKM-LD20N140C (7 BURNERS)
SENSOR, FLAME	025-27773-700	025-27773-700
SHIELD, SECONDARY AIR	073-12014-006	073-12014-007
SWITCH, FLAME ROLL-OUT [ROS1, 2, 3, 4]	- - -	025-27747-018
SWITCH, FLAME ROLL-OUT [ROS1, 2]	025-27747-016	- - -
SWITCH, FLAME ROLL-OUT [ROS3, 4]	025-27747-018	- - -

NOTE: **STYLE "D" MODELS ARE THE SAME AS STYLE "A"**
EXCEPT FOR THE FOLLOWING PARTS:

DESCRIPTION	PBKM-LD08N040D (2 BURNERS)	PBKM-LD08N060D (3 BURNERS)	PBKM-LD12N060D (3 BURNERS)	PBKM-LD12N080D (4 BURNERS)
SENSOR, FLAME	025-27773-700	025-27773-700	025-27773-700	025-27773-700
SHIELD, SECONDARY AIR	073-14202-002	073-14202-003	073-14202-003	073-14202-004
WRAPPER	373-14203-001	373-14203-002	373-14203-002	373-14203-002
ORIFICE, BURNER (NATURAL #45)	029-20423-045	029-20423-045	029-20423-045	029-20423-045

DESCRIPTION	PBKM-LD14N100D (5 BURNERS)	PBKM-LD16N080D (4 BURNERS)	PBKM-LD16N120D (6 BURNERS)	PBKM-LD20N100D (5 BURNERS)
SENSOR, FLAME	025-27773-700	025-27773-700	025-27773-700	025-27773-700
SHIELD, SECONDARY AIR	073-14202-005	073-14202-004	073-14202-006	073-14202-005
WRAPPER	373-14203-003	373-14203-003	373-14203-003	373-14203-003
ORIFICE, BURNER (NATURAL #45)	029-20423-045	029-20423-045	029-20423-045	029-20423-045
SWITCH, FLAME ROLL-OUT [ROS1, 2]	025-27747-016	- - -	025-27747-016	025-27747-016
SWITCH, FLAME ROLL-OUT [ROS1, 2, 3]	- - -	025-27747-016	- - -	- - -
SWITCH, FLAME ROLL-OUT [ROS3, 4]	025-27747-018	- - -	025-27747-018	025-27747-018

DESCRIPTION	PBKM-LD20N120D (6 BURNERS)	PBKM-LD20N140D (7 BURNERS)
SENSOR, FLAME	025-27773-700	025-27773-700
SHIELD, SECONDARY AIR	073-14202-006	073-14202-007
WRAPPER	373-14203-003	373-14203-004
ORIFICE, BURNER (NATURAL #45)	029-20423-045	029-20423-045
SWITCH, FLAME ROLL-OUT [ROS1, 2, 3, 4]	- - -	025-27747-018
SWITCH, FLAME ROLL-OUT [ROS1, 2]	025-27747-016	- - -
SWITCH, FLAME ROLL-OUT [ROS3, 4]	025-27747-018	- - -

"<" At side of page indicates change was made in that row.
"<" Across from model number indicates entire publication is new.

New replacement parts shown in **bold face** type at the first printing of Parts List code dated 10/95.

MISC. (Cont.)

FIG	ITEM	DESCRIPTION	PBKM-LD08N040 (2 BURNERS)	PBKM-LD08N060 (3 BURNERS)	PBKM-LD12N060 (3 BURNERS)	PBKM-LD12N080 (4 BURNERS)
*	44	RECEPTACLE (FEMALE, 2 CIRCUIT)	025-21159-900	025-21159-900	025-21159-900	025-21195-900
*	45	RECEPTACLE (FEMALE, 4 CIRCUIT)	025-21756-900	025-21756-900	025-21756-900	025-21756-900
*	46	RECEPTACLE (FEMALE, 6 CIRCUIT)	025-20963-900	025-20963-900	025-20963-900	025-20963-900
*	47	RECEPTACLE (FEMALE, 12 CIRCUIT)	025-20787-900	025-20787-900	025-20787-900	025-20787-900

ADDITIONAL MODELS

MOTORS

FIG	ITEM	DESCRIPTION	PBKM-LD14N100 (5 BURNERS)	PBKM-LD16N080 (4 BURNERS)	PBKM-LD16N120 (6 BURNERS)	PBKM-LD20N100 (5 BURNERS)
1	1	MOTOR, DIRECT DRIVE BLOWER	024-25113-701	024-25113-701	- - -	- - -
1	1	MOTOR, DIRECT DRIVE BLOWER	- - -	- - -	024-23238-700	024-23211-702
1	2	MOTOR, VENTOR W/WHEEL & GASKET	373-10337-701	373-10337-701	373-10337-701	373-10337-701

ELECTRICAL


1	3	CAPACITOR, RUN (10MFD/370V) [RC]	024-20046-700	024-20046-700	- - -	024-20046-700
1	3	CAPACITOR, RUN (15MFD/370V) [RC]	- - -	- - -	024-20446-000	- - -
1	4	SWITCH, LIMIT	025-29041-007	025-29041-004	025-29041-002	025-29041-007
1	5	CONTROL, FURNACE [FC]	031-01234-700	031-01234-700	031-01234-700	031-01234-700
1	6	IGNITION, HOT SURFACE	025-30385-700	025-30385-700	025-30385-700	025-30385-700
*	7	SENSOR, FLAME	025-25434-000	025-25434-000	025-25434-000	025-25434-000
1	8	SWITCH, AIR PRESSURE [1LP]	024-25808-702	024-25808-702	024-25808-702	024-25808-702
1	9	SWITCH, CONTROL (BLOWER DOOR) [SW]	024-25811-000	024-25811-000	024-25811-000	024-25811-000
1	10	TRANSFORMER	025-19405-700	025-19405-700	025-19405-700	025-19405-700
1	11	VALVE, GAS	025-30251-700	025-30251-700	025-30251-700	025-30251-700
*	12	SWITCH, FLAME ROLL-OUT [ROS1, 2, 3]	025-27747-016	025-27747-016	025-27747-016	025-27747-016
1	13	CONTROL, AUXILIARY LIMIT [LS2, LS3]	025-30321-700	025-30321-700	025-30321-700	025-30321-700
*	14	BRACKET, ROLL-OUT SWITCH	073-12033-700	073-12033-700	073-12033-700	073-12033-700

AIR MOVING

1	15	HOUSING, BLOWER	373-07612-000	373-07612-000	373-07612-000	373-06239-000
1	16	WHEEL, BLOWER	026-19654-011	026-19654-005	026-19654-011	026-19654-006

FABRICATED PARTS

1	17	SHIELD, SECONDARY AIR	073-10336-705	073-10336-704	073-10336-706	073-10336-705
1	18	BOX, VENT (ASS'Y)	373-10930-702	373-10930-702	373-10930-702	373-10930-702
*	19	BAFFLE, FLUE	073-12264-703	073-12264-702	073-12264-704	073-12264-703
1	20	BURNER, MAIN GAS	029-20482-000	029-20482-000	029-20482-000	029-20482-000
1	21	BRACKET, IGNITOR	073-11277-700	073-11277-700	073-11277-700	073-11277-700
1	22	COVER, CONTROL BOX	073-06391-000	073-06391-000	073-06391-000	073-06391-000
1	23	DECK, BLOWER (REAR)	073-12411-703	073-12411-703	073-12411-703	073-12411-703
1	24	DECK, FRONT	073-10324-703	073-10324-703	073-10324-703	073-10324-703
1	25	EXCHANGER, HEAT (ASS'Y)	373-10326-705	373-10326-708	373-10326-706	373-10326-705
1	26	MANIFOLD	029-20419-004	029-20419-003	029-20419-005	029-20419-004
1	27	PANEL, ACCESS (BURNERS)	073-12408-703	073-12408-703	073-12408-703	073-12408-703
1	28	PANEL, BASE	073-12409-003	073-12409-003	073-12409-003	073-12409-003
1	29	PANEL, FRONT (BLOWER)	063-93164-013	063-93164-013	063-93164-013	063-93164-013
1	30	PANEL, TOP	073-12559-703	073-12559-703	073-12559-703	073-12559-703
1	31	WRAPPER	373-10323-703	373-10323-703	373-10323-703	373-10323-703
1	32	CHANNEL, TOE PLATE	073-12410-703	073-12410-703	073-12410-703	073-12410-703
1	33	LATCHES, DOOR	021-17190-700	021-17190-700	021-17190-700	021-17190-700

NOTES: * NOT SHOWN
MAJOR COMPONENTS AND SUGGESTED STOCKING ITEMS ARE SHOWN WITH SHADED ITEM NUMBER. 
"<" AT SIDE OF PAGE INDICATES CHANGE WAS MADE IN THAT ROW.
"<" ACROSS FROM MODEL NUMBER INDICATES ENTIRE PUBLICATION IS NEW.

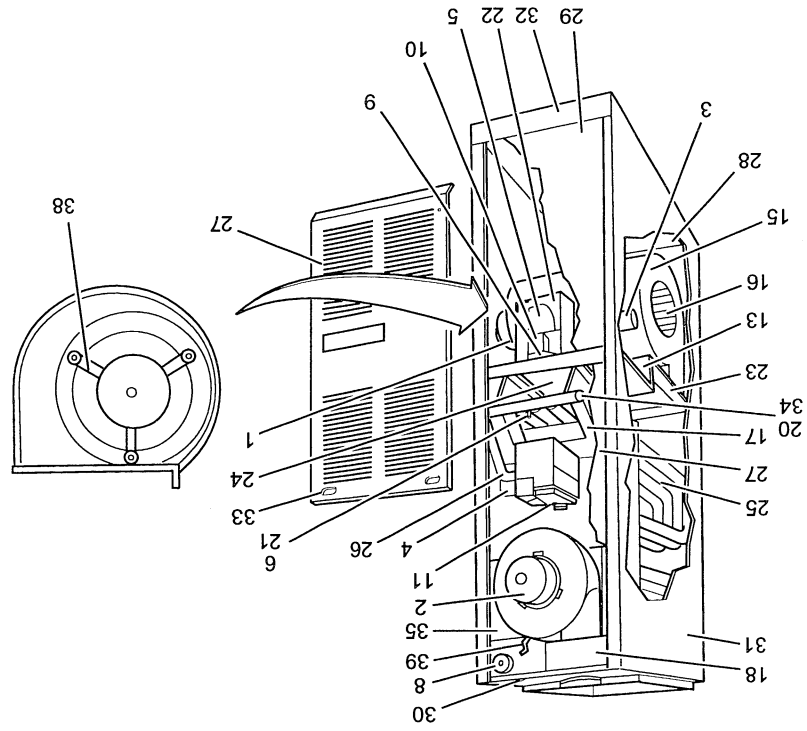


FIG. 1 - MULTI-POSITION NATURAL GAS FURNACES (80+)

FIG ITEM	DESCRIPTION	PBKM-LD14N100	PBKM-LD16N080	PBKM-LD16N120	PBKM-LD20N100
1	ORIFICE, BURNER (NATURAL #44)	029-20423-044	029-20423-044	029-20423-044	029-20423-044
1	PLATE, RESTRICTOR	073-12263-005	073-12263-005	073-12263-005	073-12263-005
*	TERMINAL, ELECTRICAL (PIN)	025-20533-900	025-20533-900	025-20533-900	025-20533-900
*	TERMINAL, ELECTRICAL (PIN) (1)	025-20919-900	025-20919-900	025-20919-900	025-20919-900
1	MOUNT, MOTOR	026-31480-000	026-31480-000	026-31480-000	026-31480-000
1	TUBING, RUBBER (1 FT.)	028-11957-000	028-11957-000	028-11957-000	028-11957-000
*	PLUG (MALE, 2 CIRCUIT)	025-19672-900	025-19672-900	025-19672-900	025-19672-900
*	PLUG (MALE, 4 CIRCUIT)	025-21417-900	025-21417-900	025-21417-900	025-21417-900
*	PLUG (MALE, 6 CIRCUIT)	025-19670-900	025-19670-900	025-19670-900	025-19670-900
*	PLUG (MALE, 12 CIRCUIT)	025-21159-900	025-21159-900	025-21159-900	025-21159-900
*	RECEPTACLE (FEMALE, 2 CIRCUIT)	025-21159-900	025-21159-900	025-21159-900	025-21159-900
*	RECEPTACLE (FEMALE, 4 CIRCUIT)	025-21756-900	025-21756-900	025-21756-900	025-21756-900
*	RECEPTACLE (FEMALE, 6 CIRCUIT)	025-20963-900	025-20963-900	025-20963-900	025-20963-900
*	RECEPTACLE (FEMALE, 12 CIRCUIT)	025-20787-900	025-20787-900	025-20787-900	025-20787-900

MISC.

FIG ITEM	DESCRIPTION	PBKM-LD20N120	PBKM-LD20N140
1	MOTOR, DIRECT DRIVE BLOWER	024-23211-702	024-23211-702
1	MOTOR, VENTOR W/WHEEL & GASKET	373-10337-701	373-10337-701

MOTORS

FIG ITEM	DESCRIPTION	PBKM-LD16N120	PBKM-LD16N120B
1	CAPACITOR, RUN (10MFD/370V)	024-20046-700	024-20046-700
1	SWITCH, LIMIT	025-29041-002	025-29041-003
1	CONTROL, FURNACE	[FC]	031-01234-700
1	IGNITION, HOT SURFACE	025-30385-700	025-30385-700
*	SENSOR, FLAME	025-25434-000	025-25434-000

ELECTRICAL

NOTES: * NOT SHOWN
 (1) SPLIT PINS MUST BE USED IN RECEPTACLES WITH 6 OR MORE CIRCUITS.
 MAJOR COMPONENTS AND SUGGESTED STOCKING ITEMS ARE SHOWN WITH SHADED ITEM NUMBER.

FIG ITEM	DESCRIPTION	PBKM-LD20N120	PBKM-LD20N140
1	SWITCH, AIR PRESSURE	[ILP]	024-25808-702
1	SWITCH, CONTROL (BLOWER DOOR)	[SW]	024-25811-000
1	TRANSFORMER	025-19405-700	025-19405-700
1	VALVE, GAS	025-30251-700	025-30251-700
*	SWITCH, FLAME ROLL-OUT	[ROST, 2, 3]	025-27747-016
1	CONTROL, AUXILIARY	[LS2, LS3]	025-30321-700
*	BRACKET, FLAME ROLL-OUT SWITCH	073-12033-700	073-12033-700

AIR MOVING

1	15	HOUSING, BLOWER	373-06239-000
1	16	WHEEL, BLOWER	026-19654-006

FABRICATED

1	17	SHIELD, SECONDARY AIR	073-10336-706
1	18	BOX, VENT (ASS'Y)	373-10930-702
*	19	BAFFLE, FLUE	073-12264-705
1	20	BURNER, MAIN GAS	029-20482-000
1	21	BRACKET, IGNITOR	073-11277-700
1	22	COVER, CONTROL BOX	073-06391-000
1	23	DECK, BLOWER (REAR)	073-12411-703
1	24	DECK, FRONT	073-10324-704
1	25	EXCHANGER, HEAT (ASS'Y)	373-10326-706
1	26	MANIFOLD	029-20419-005
1	27	PANEL, ACCESS (BURNERS)	073-12408-703
1	28	PANEL, BASE	073-12409-704
1	29	PANEL, FRONT (BLOWER)	063-93164-013
1	30	PANEL, TOP	073-12559-703
1	31	WRAPPER	373-10323-704
1	32	CHANNEL, TOE PLATE	073-12410-703
1	33	LATCHES, DOOR	021-17190-700

MISC.

1	34	ORIFICE, BURNER (NATURAL #44)	029-20423-044
1	35	PLATE, RESTRICTOR	073-12263-009
*	36	TERMINAL, ELECTRICAL (PIN)	025-20533-900
*	37	TERMINAL, ELECTRICAL (PIN) (1)	025-20919-900
1	38	MOUNT, MOTOR	026-31459-000
1	39	TUBING, RUBBER (1 FT.)	028-11957-000
*	40	PLUG (MALE, 2 CIRCUIT)	025-19672-900
*	41	PLUG (MALE, 4 CIRCUIT)	025-21417-900
*	42	PLUG (MALE, 6 CIRCUIT)	025-19670-900
*	43	PLUG (MALE, 12 CIRCUIT)	025-21159-900
*	44	RECEPTACLE (FEMALE, 2 CIRCUIT)	025-21159-900
*	45	RECEPTACLE (FEMALE, 4 CIRCUIT)	025-21756-900
*	46	RECEPTACLE (FEMALE, 6 CIRCUIT)	025-20963-900
*	47	RECEPTACLE (FEMALE, 12 CIRCUIT)	025-20787-900

NOTES:

* NOT SHOWN
 (1) SPLIT PINS MUST BE USED IN RECEPTACLES WITH 6 OR MORE CIRCUITS.
 MAJOR COMPONENTS AND SUGGESTED STOCKING ITEMS ARE SHOWN WITH SHADED ITEM NUMBER.
 ">" AT SIDE OF PAGE INDICATES CHANGE WAS MADE IN THAT ROW.
 "<" ACROSS FROM MODEL NUMBER INDICATES ENTIRE PUBLICATION IS NEW.

NOTE: STYLE "B" MODELS ARE THE SAME AS STYLE "A" EXCEPT FOR THE FOLLOWING PARTS:

DESCRIPTION	PBKM-LD08N040B	PBKM-LD08N060B	PBKM-LD12N080B	PBKM-LD16N120B
(2 BURNERS)		(3 BURNERS)	(4 BURNERS)	(5 BURNERS)
MOTOR, DIRECT DRIVE BLOWER	024-25108-703	024-25879-701	024-25880-700	024-25881-700
CAPACITOR, RUN (5MFD/370V)	024-20043-000			
CAPACITOR, RUN (5MFD/370V)	[RC]			
INSERT, HEAT EXCHANGER	073-12416-701			
SPRING, RETAINER	021-17188-700	021-17188-700	021-17188-700	021-17188-700