

FIG. 4 - HOT SURFACE IGNITION UPFLOW FURNACES (80 +)

SECTION	FIG	ITEM	DESCRIPTION	PCMU-LD12N095A/B	PCMU-LD16N095A/B	PCMU-LD20N114A/B	PCMU-LD20N133A/B
FABRICATED PARTS				(5 BURNERS)	(5 BURNERS)	(6 BURNERS)	(7 BURNERS)
	4	29	MANIFOLD	029-20419-004	029-20419-004	029-20419-005	029-20419-006
	4	30	PANEL, ACCESS (VESTIBULE) (STYLE "A")	073-01354-733	073-01354-733	073-01354-733	073-01354-734
	4	30	PANEL, ACCESS (VESTIBULE) (STYLE "B")	073-01354-013	073-01354-013	073-01354-013	073-01354-014
	4	31	PANEL, BASE	063-91848-033	063-91848-003	063-91848-003	063-91848-004
	4	32	PANEL, FRONT (BLOWER) (STYLE "A")	063-93164-733	063-93164-733	063-93164-733	063-93164-734
	4	32	PANEL, FRONT (BLOWER) (STYLE "B")	063-93164-013	063-93164-013	063-93164-013	063-93164-014
	4	33	PANEL, TOP	073-02366-002	073-02366-002	073-02366-002	073-02366-003
	4	34	WRAPPER	373-01212-003	373-01212-003	373-01212-003	373-01212-004
	*	35	PANEL, VESTIBULE	373-01213-020	373-01213-020	373-01213-021	373-01213-0
MISCELLANEOUS							
	*	36	CLIP, FILTER RETAINER	021-16017-000	021-16017-000	021-16017-000	021-01617-000
	4	37	FILTER, AIR	026-28048-003	026-28048-003	026-28048-001	026-28048-001
				(1x20x26)	(1x20x26)	(1x16x26)	(1x16x26)
	4	37	FILTER, AIR	- - -	- - -	026-28048-003	026-28048-004
				- - -	- - -	(1x20x26)	(1x24x26)
	4	38	GASKET, FLUE FAN	010-05450-000	010-05450-000	010-05450-000	010-05450-000
	4	39	GASKET, LIMIT CONTROL	028-09413-000	028-09413-000	028-09413-000	028-09413-000
	*	40	ORIFICE, BURNER (NATURAL #45)	029-20338-003	029-20338-003	029-20338-003	029-20338-003
	*	41	PLUG, ELECTRIC (MALE, 2 CIRCUIT)	025-19672-900	025-19672-900	025-19672-900	025-19672-900
	*	42	PLUG, ELECTRIC (MALE, 8 CIRCUIT)	025-25426-000	025-25426-000	025-25426-000	025-25426-000
	*	43	PLUG, ELECTRIC (MALE, 8 CIRCUIT)	025-25428-000	025-25428-000	025-25428-000	025-25428-000
	*	44	RECEPTICAL, ELEC. (FEMALE, 8 CIRCUIT)	025-25427-000	025-25427-000	025-25427-000	025-25427-000
	*	45	RECEPTICAL, ELEC. (FEMALE, 8 CIRCUIT)	025-25430-000	025-25430-000	025-25430-000	025-25430-000
	4	46	RECEPTICAL, ELEC. (FEMALE, 9 CIRCUIT)	025-21191-900	025-21191-900	025-21191-900	025-21191-900
	4	47	RETAINER, FILTER	026-28040-000	026-28040-000	026-28040-000	026-28040-000
	*	48	TERMINAL, ELECTRICAL (PIN)	025-20533-900	025-20533-900	025-20533-900	025-20533-900
	*	49	TERMINAL, ELECTRICAL (PIN)	(1) 025-20919-900	025-20919-900	025-20919-900	025-20919-900
	*	50	TERMINAL, ELECTRICAL (SOCKET)	025-19673-900	025-19673-900	025-19673-900	025-19673-900
	*	51	REDUCER, FLUE PIPE	026-31243-000	026-31243-000	026-31243-000	026-31243-000
	*	52	TUBING, RUBBER	028-11957-000	028-11957-000	028-11957-000	028-11957-000
	4	53	MOUNT, MOTOR BAND	- - -	026-23780-000	- - -	- - -
	4	54	MOUNT, MOTOR ARM	- - -	026-23777-000	- - -	- - -
	*	55	KIT, MOTOR MOUNT	- - -	- - -	373-08073-000	373-08073-000

* NOT SHOWN

(1) SPLIT PIN MUST BE USED IN RECEPTICALS WITH 6 OR MORE CIRCUITS.

NOTE: ALL PARTS FOR LOW NOX MODELS ARE THE SAME AS "PCMU**N" WITH EXCEPTION OF THE FOLLOWING:

DESCRIPTION	PCMU-LD12L057A/B	PCMU-LD16L095A/B	PCMU-LD20L114A/B
BURNER, MAIN GAS	029-20418-008	029-20418-010	029-20418-011
ROD, NOX (2 PER BURNER)	026-25522-002	026-25522-002	026-25522-002

REPLACEMENT PARTS

PCMU (STYLES "A" & "B") HOT SURFACE IGNITION UPFLOW FURNACES (INCLUDES LOW NOX)

Supersedes: 650.64-RP4W(293)

650.64-RP4W(693)

LOW NOX VERSIONS — 1 of 4
SEE PAGE 4

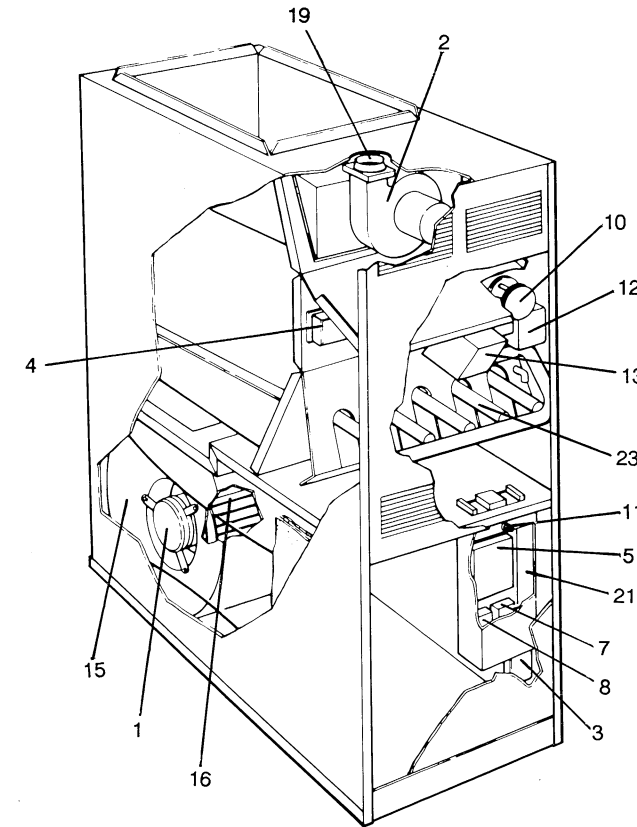


FIG. 1 - HOT SURFACE IGNITION UPFLOW FURNACES (80 +)

Replacement parts are available from local CES NHAW contractor / dealers or the nearest CES distribution center.

SECTION	FIG	ITEM	DESCRIPTION	PCMU-LD08N076A/B	PCMU-LD12N057A/B	PCMU-LD12N076A/B
MOTORS				(4 BURNERS)	(3 BURNERS)	(4 BURNERS)
	1	1	MOTOR, DIRECT DRIVE BLOWER	024-25108-701	024-25108-702	024-25103-702
	1	2	MOTOR, VENTER BLOWER (W/HSG & WHL)	026-32067-700	026-32067-700	026-32067-700
ELECTRICAL						
	1	3	CAPACITOR, RUN (7.5MFD/370V) (RC)	024-20045-000	024-20045-000	024-20045-000
	1	4	CONTROL, FAN LIMIT	025-25402-005	025-18568-016	025-25402-002
	1	5	CONTROL, MODULE (IGNITION)	025-25436-000	025-25436-000	025-25436-000
	*	6	IGNITION, HOT SURFACE W/BRACKET	473-05342-000	473-05342-000	473-05342-000
	1	7	RELAY, CONTROL (BLOWER) (1R)	024-11772-000	024-11772-000	024-11772-000
	1	8	RELAY, CONTROL (DRAFT) (3R)	024-23237-000	024-23237-000	024-23237-000
	*	9	SENSOR, FLAME	025-25434-000	025-25434-000	025-25434-000
	1	10	SWITCH, AIR PRESSURE (1LP)	024-25256-000	024-25255-000	024-25256-000
	1	11	SWITCH, CONTROL (SW)	024-20864-000	024-20864-000	024-20864-000
	1	12	TRANSFORMER	025-21911-001	025-21911-001	025-21911-001
	1	13	VALVE, GAS	025-25437-000	025-25437-000	025-25437-000
	*	14	SWITCH, FLAME ROLL OUT	025-27747-013	025-27747-011	025-27747-013
AIR MOVING						
	1	15	HOUSING, BLOWER	363-78000-002	363-78000-004	363-78000-004
	1	16	WHEEL, BLOWER	026-19654-002	026-19654-010	026-19654-010
FABRICATED PARTS						
	*	17	BAFFLE, FAN LIMIT	373-05208-000	373-03168-000	- - -
	*	18	SHIELD, SECONDARY AIR	073-03430-002	073-03430-001	073-03430-002
	1	19	COLLAR, FLUE	073-03658-000	073-03658-000	073-03658-000
	*	20	BAFFLE, FLUE	063-93162-000	063-93162-000	063-93162-000
	1	21	BOX, CONTROL	063-93201-000	063-93201-000	063-93201-000
	*	22	BRACKET, HOT SURFACE IGNITION	073-03428-000	073-03428-000	073-03428-000
	1	23	BURNER, MAIN GAS (2)	029-20418-003	029-20418-002	029-20418-003

* NOT SHOWN

(2) CHECK TABLE ON PAGE 4 FOR LOW NOX VERSIONS.

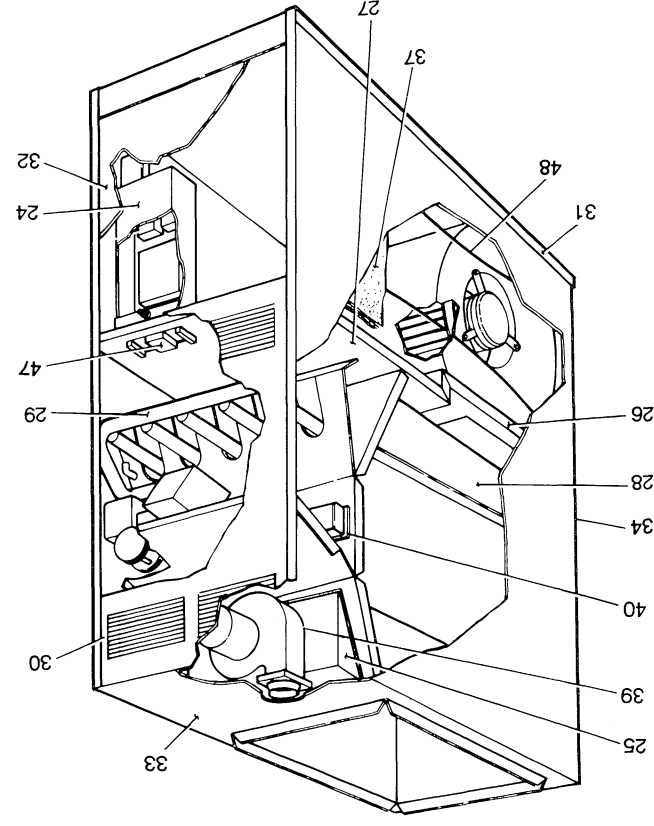
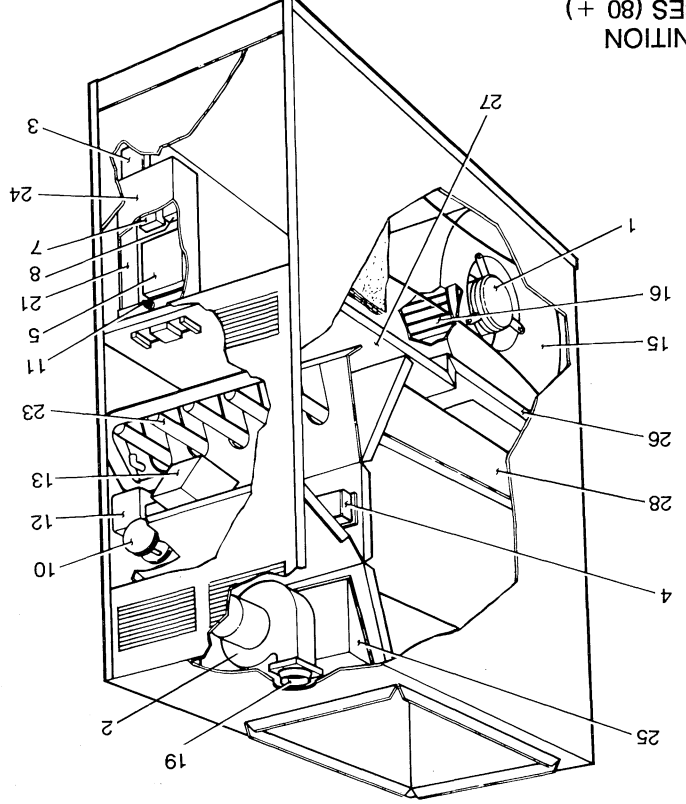


FIG. 2 - HOT SURFACE IGNITION UPFLOW FURNACES (80 +)

SECTION	FIG	ITEM	DESCRIPTION	PCMU-LD12N076A/B
FABRICATED				
PARTS	2	24	COVER, CONTROL BOX (4 BURNERS)	063-93203-000
	2	25	COVER, FLUE BOX (3 BURNERS)	063-93203-000
	2	26	DECK, BLOWER (REAR)	063-93168-000
	2	27	DECK, FRONT	063-93262-000
	2	28	HEAT EXCHANGER ASSY, (PRIMARY)	063-93295-000
	2	29	MANIFOLD	029-20419-003
	2	30	PANEL, ACCESS (VESTIBULE) (STYLE "A")	073-01354-732
	2	30	PANEL, ACCESS (VESTIBULE) (STYLE "B")	073-01354-012
	2	31	PANEL, BASE	063-91848-002
	2	32	PANEL, FRONT (BLOWER) (STYLE "A")	063-93164-732
	2	32	PANEL, FRONT (BLOWER) (STYLE "B")	063-93164-012
	2	33	PANEL, TOP	073-02366-001
	2	34	WRAPPER	073-02366-001
MISCELLANEOUS				
	*	35	PANEL, VESTIBULE	373-01213-019
	*	36	CLIP, FILTER RETAINER	021-16017-000
	2	37	FILTER, AIR	026-28048-001
	2	38	REDUCER, FLUE PIPE	026-31243-000
	2	39	GASKET, FLUE FAN	010-05450-000
	2	40	GASKET, LIMIT CONTROL	028-09413-000
	*	41	ORIFICE, BURNER (NATURAL #45)	029-20338-003
	*	42	PLUG, ELECTRIC (MALE, 2 CIRCUIT)	025-19672-900
	*	43	PLUG, ELECTRIC (MALE, 8 CIRCUIT)	025-25426-000
	*	44	PLUG, ELECTRIC (MALE, 8 CIRCUIT)	025-25428-000
	*	45	RECEPTICAL, ELEC. (FEMALE, 8 CIRCUIT)	025-25427-000
	*	46	RECEPTICAL, ELEC. (FEMALE, 8 CIRCUIT)	025-25430-000
	2	47	RECEPTICAL, ELEC. (FEMALE, 9 CIRCUIT)	025-21191-900
	2	48	RETAINER, FILTER	026-28040-000
	*	49	TERMINAL, ELECTRICAL (PIN)	025-20533-000
	*	50	TERMINAL, ELECTRICAL (PIN) (1)	025-20919-900
	*	51	TERMINAL, ELECTRICAL (SOCKET)	025-19673-900
	*	52	TUBING, RUBBER	028-11957-000

(1) SPLIT PIN MUST BE USED IN RECEPTICALS WITH 6 OR MORE CIRCUITS.

FIG. 3 - HOT SURFACE IGNITION UPFLOW FURNACES (80 +)



SECTION	FIG	ITEM	DESCRIPTION	PCMU-LD12N095A/B
MOTORS				
	3	1	MOTOR, DIRECT DRIVE BLOWER (5 BURNERS)	024-25105-702
	3	1	MOTOR, DIRECT DRIVE BLOWER (3)	024-25110-700
	3	1	MOTOR, DIRECT DRIVE BLOWER (4)	024-23238-700
	3	2	MOTOR, VENTER BLOWER (W/HSG & WHL)	026-32067-700
ELECTRICAL				
	3	3	CAPACITOR, RUN (7.5MFD/370V) (RC)	024-20045-000
	3	3	CONTROL, FAN LIMIT	025-18568-012
	3	4	CONTROL, MODULE (IGNITION)	025-25436-000
	*	6	IGNITION, HOT SURFACE W/BRACKET	473-05342-000
	3	7	RELAY, CONTROL (BLOWER) (LR)	024-11772-000
	3	8	RELAY, CONTROL (DRAFT) (3R)	024-23237-000
	*	9	SENSOR, FLAME	025-25434-000
	3	10	SWITCH, AIR PRESSURE (1LP)	024-25256-000
	3	11	SWITCH, CONTROL (SW)	024-20864-000
	3	12	TRANSFORMER	025-21911-001
	3	13	VALVE, GAS	025-25437-000
	*	14	SWITCH, FLAME ROLL OUT	025-27747-012
AIR MOVING				
	3	15	HOUSING, BLOWER	363-78000-005
	3	16	WHEEL, BLOWER	026-19654-005
FABRICATED				
PARTS	*	17	BAFLE, FAN LIMIT	073-03430-003
	*	18	SHIELD, SECONDARY AIR	073-03430-004
	3	19	COLLAR, FLUE	073-03658-000
	*	20	BAFLE, FLUE	063-93162-000
	3	21	BOX, CONTROL	063-93201-000
	*	22	BRACKET, HOT SURFACE IGNITION	073-03428-000
	3	23	BURNER, MAIN GAS (2)	029-20418-004
	3	24	COVER, CONTROL BOX	063-93203-000
	3	25	COVER, FLUE BOX	063-93203-000
	3	26	DECK, BLOWER (REAR)	063-93169-000
	3	27	DECK, FRONT	073-02360-011
	3	28	HEAT EXCHANGER ASS'Y (PRIMARY)	073-01520-038

* NOT SHOWN

(2) CHECK TABLE ON PAGE 4 FOR LOW NOX VERSIONS.
(3) ITEMS 53 & 54 MUST BE USED WITH THIS NEW MOTOR
(4) ITEM 55 (KIT, MOTOR MOUNT) MUST BE USED WITH THIS MOTOR.