

REPLACEMENT PARTS

DOWNFLOW NATURAL GAS FURNACES (80+) INCLUDING LOW NOX UNITS (SEE PAGE 8)

Supersedes: 650.74-RP2W (797)

e 650.74-RP2W (198)

1 of 8
035-14324

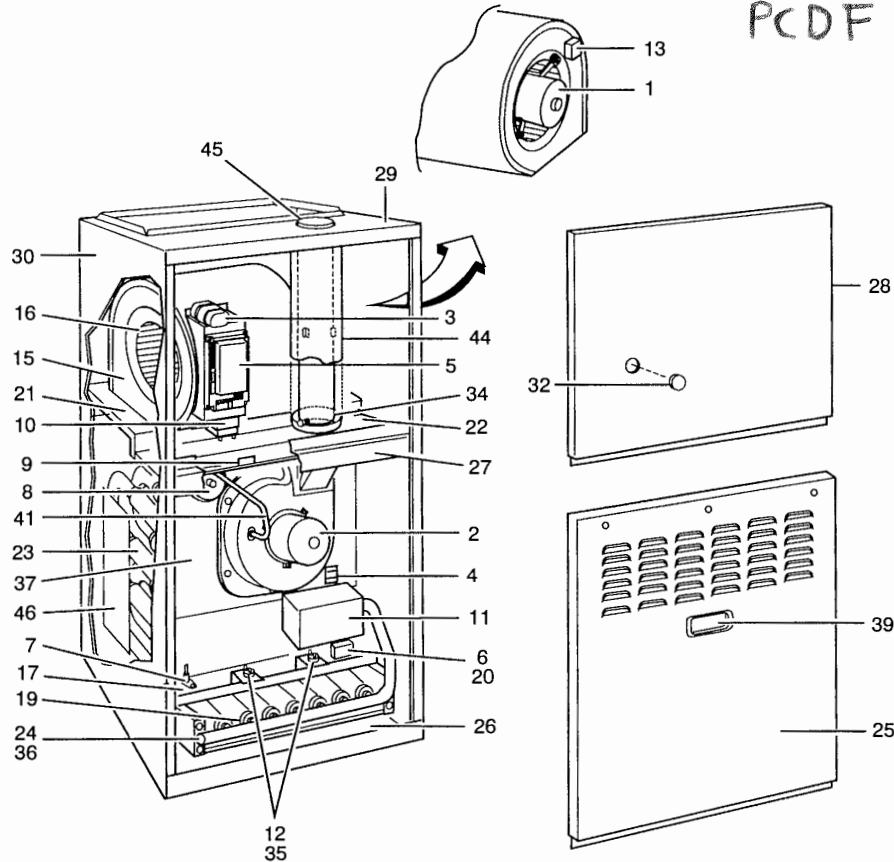


FIG. 1 – DOWNFLOW NATURAL GAS FURNACES (80+)

MOTORS

FIG	ITEM	DESCRIPTION	PCDFALD08N040 (2 BURNERS)	PCDFALD08N060 (3 BURNERS)	PCDFALD12N060 (3 BURNERS)
1	1	MOTOR, DIRECT DRIVE BLOWER	024-25108-003	024-25108-003	024-25110-700
1	2	MOTOR, VENTOR WWHEEL, HOUSING & GSKT.	024-27519-000	024-27519-000	024-27519-000

ELECTRICAL

1	3	CAPACITOR, RUN (5MFD/370V)	[RC]	024-20043-700	024-20043-700	- - -
1	3	CAPACITOR, RUN (7.5 MFD/370V)	[RC]	- - -	- - -	024-20045-700
1	4	SWITCH, LIMIT	[LS1]	025-29041-711	025-29041-002	025-29041-005
1	5	CONTROL, FURNACE	[FC]	031-01266-000	031-01266-000	031-01266-000
1	6	IGNITOR, HOT SURFACE		025-32625-000	025-32625-000	025-32625-000
1	7	SENSOR, FLAME		025-27773-700	025-27773-700	025-27773-700
1	8	SWITCH, AIR PRESSURE	[1LP]	024-25808-008	024-25808-008	024-25808-008
1	9	SWITCH, CONTROL (BLOWER DOOR)	[SW]	024-25811-000	024-25811-000	024-25811-000
1	10	TRANSFORMER		025-30889-000	025-30889-000	025-30889-000
1	11	VALVE, GAS		025-31996-000	025-31996-000	025-31996-000
1	12	SWITCH, FLAME ROLL-OUT	[ROS 1]	025-27747-016	025-27747-016	025-27747-016
1	13	CONTROL, AUXILIARY LIMIT	[LS2]	025-27792-008	025-27792-008	025-27792-008
*	14	FUSE (ATO-3)		025-32746-026	025-32746-026	025-32746-026

AIR MOVING

1	15	HOUSING, BLOWER		373-17771-003	373-17771-003	373-17827-001
1	16	WHEEL, BLOWER		026-19654-707	026-19654-707	026-19654-703

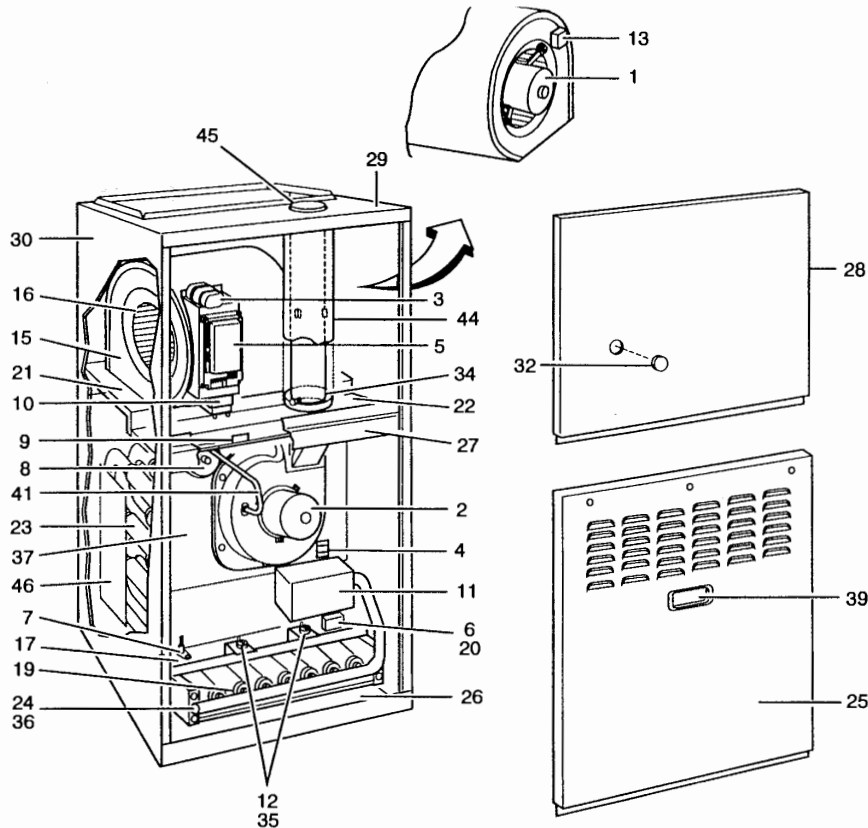
NOTES: * NOT SHOWN

MAJOR COMPONENTS AND SUGGESTED STOCKING ITEMS ARE SHOWN WITH SHADED ITEM NUMBER.

NEW REPLACEMENT PARTS SHOWN IN **BOLD FACE** TYPE AT THE FIRST PRINTING OF PARTS LIST CODE DATED 1/98.

* < AT SIDE OF PAGE INDICATES CHANGE WAS MADE IN THAT ROW.

< ACROSS FROM MODEL NUMBER INDICATES ENTIRE PUBLICATION IS NEW.



FABRICATED PARTS **FIG. 1 – DOWNFLOW NATURAL GAS FURNACES (80+)**

FIG	ITEM	DESCRIPTION	PCDFALD08N040 (2 BURNERS)	PCDFALD08N060 (3 BURNERS)	PCDFALD12N060 (3 BURNERS)
1	17	SHIELD, SECONDARY AIR	073-17404-002	073-17404-003	073-17404-003
*	18	BAFFLE, FLUE	073-17775-001	073-17775-001	073-17775-001
1	19	BURNER, MAIN GAS	029-20482-000	029-20482-000	029-20482-000
1	20	BRACKET, IGNITOR	073-17403-000	073-17403-000	073-17403-000
1	21	DECK, BLOWER (REAR)	073-17501-001	073-17501-001	073-17502-001
1	22	DECK, BLOWER (FRONT)	073-17512-001	073-17512-001	073-17512-001
1	23	EXCHANGER, HEAT (ASS'Y)	373-17519-002	373-17519-003	373-17519-003
1	24	MANIFOLD, GAS	029-22114-001	029-22114-002	029-22114-002
1	25	PANEL, ACCESS (BURNERS)	073-17524-001	073-17524-001	073-17524-001
1	26	PANEL, BASE	073-17518-001	073-17518-001	073-17518-001
1	27	PANEL, DOOR FILL	073-18202-001	073-18202-001	073-18202-001
1	28	PANEL, FRONT (BLOWER)	073-17880-011	073-17880-011	073-17880-011
1	29	PANEL, TOP	073-17517-001	073-17517-001	073-17517-001
1	30	WRAPPER	373-17511-001	373-17511-001	373-17511-001
*	31	FILTER (14 x 20) (2-REQ'D)	026-23050-004	026-23050-004	026-23050-004
1	32	PLUG, WINDOW	025-30899-000	025-30899-000	025-30899-000
*	33	RACK, FILTER	362-93782-000	362-93782-000	362-93782-000
1	34	GASKET, VENT PIPE	013-02905-000	013-02905-000	013-02905-000
1	35	BRACKET, ROLL-OUT SWITCH	073-12033-700	073-12033-700	073-12033-700

MISC.

1	36	ORIFICE, BURNER (NATURAL #45)	029-21182-045	029-21182-045	029-21182-045
1	37	PLATE, RESTRICTOR	073-17777-106	073-17777-138	073-17777-138
*	38	COLLAR, FLUE	073-17506-000	073-17506-000	073-17506-000
1	39	HANDLE, DOOR	029-22113-000	029-22113-000	029-22113-000
*	40	GASKET, RESTRICTOR PLATE	028-13258-000	028-13258-000	028-13258-000
1	41	TUBING, RUBBER	028-11957-000	028-11957-000	028-11957-000
*	42	WIRING DIAGRAM	035-14242-000	035-14242-000	035-14242-000
*	43	WIRING HARNESS	373-17875-001	373-17875-001	373-17875-001

NOTES: * NOT SHOWN

MAJOR COMPONENTS AND SUGGESTED STOCKING ITEMS ARE SHOWN WITH SHADED ITEM NUMBER.
NEW REPLACEMENT PARTS SHOWN IN **BOLD FACE** TYPE AT THE FIRST PRINTING OF PARTS LIST CODE DATED 1/98.

* < AT SIDE OF PAGE INDICATES CHANGE WAS MADE IN THAT ROW.

* < ACROSS FROM MODEL NUMBER INDICATES ENTIRE PUBLICATION IS NEW.

MISC. (Cont.)

FIG	ITEM	DESCRIPTION	PCDFALD08N040 (2 BURNERS)	PCDFALD08N060 (3 BURNERS)	PCDFALD12N060 (3 BURNERS)
1	44	HOUSING, FLUE	026-35453-001	026-35453-001	026-35453-001
1	45	VENT PIPE	026-25562-004	026-25562-004	026-25562-004
1	46	RETAINER, INSULATION	073-18035-001	073-18035-001	073-18035-001
*	47	GASKET, VENTOR INLET	028-13292-000	028-13292-000	028-13292-000
*	48	GASKET, VENTOR OUTLET	028-13293-000	028-13293-000	028-13293-000
*	49	MOUNT, MOTOR	- - -	- - -	026-31480-000
*	50	ISOLATOR, TUBE (3-REQ'D)	- - -	- - -	028-09412-001
*	51	ISOLATOR, WASHER (3-REQ'D)	- - -	- - -	028-09412-002
*	52	ISOLATOR, SLEEVE (3-REQ'D)	- - -	- - -	028-09412-003

ADDITIONAL MODELS

MOTORS

FIG	ITEM	DESCRIPTION	PCDFALD12N080 (4 BURNERS)	PCDFBLD16N080 (4 BURNERS)	PCDFBLD12N100 (5 BURNERS)
1	1	MOTOR, DIRECT DRIVE BLOWER	024-25110-700	024-23211-702	024-25110-700
1	2	MOTOR, VENTOR W/WHEEL, HOUSING & GSKT.	024-27519-000	024-27519-000	024-27519-000

ELECTRICAL

1	3	CAPACITOR, RUN (7.5MFD/370V)	[RC] 024-20045-700	- - -	024-20045-700
1	3	CAPACITOR, RUN (10MFD/370V)	[RC] - - -	024-20046-700	- - -
1	4	SWITCH, LIMIT	[LS1] 025-29041-005	025-29041-711	025-29041-004
1	5	CONTROL, FURNACE	[FC] 031-01266-000	031-01266-000	031-01266-000
1	6	IGNITOR, HOT SURFACE	025-32625-000	025-32625-000	025-32625-000
1	7	SENSOR, FLAME	025-27773-700	025-27773-700	025-27773-700
1	8	SWITCH, AIR PRESSURE	[1LP] 024-25808-701	024-25808-701	024-25808-007
1	9	SWITCH, CONTROL (BLOWER DOOR)	[SW] 024-25811-000	024-25811-000	024-25811-000
1	10	TRANSFORMER	025-30889-000	025-30889-000	025-30889-000
1	11	VALVE, GAS	025-31996-000	025-31996-000	025-31996-000
1	12	SWITCH, FLAME ROLL-OUT	[ROS1, 2] 025-27747-016	025-27747-016	025-27747-018
1	13	CONTROL, AUXILIARY LIMIT	[LS2] 025-27792-708	025-27792-708	025-27792-708
*	14	FUSE (ATO-3)	025-32746-026	025-32746-026	025-32746-026

AIR MOVING

1	15	HOUSING, BLOWER	373-17827-001	373-17829-001	373-17827-001
1	16	WHEEL, BLOWER	026-19654-703	026-19654-014	026-19654-703
*	16A	CUTOFF, BLOWER	- - -	063-78006-700	- - -

FABRICATED PARTS

1	17	SHIELD, SECONDARY AIR	073-17404-004	073-17404-004	073-17404-005
*	18	BAFFLE, FLUE	073-17775-002	073-17775-002	073-17775-003
1	19	BURNER, MAIN GAS	029-20482-000	029-20482-000	029-20482-000
1	20	BRACKET, IGNITOR	073-17403-000	073-17403-000	073-17403-000
1	21	DECK, BLOWER (REAR)	073-17502-001	073-17503-001	073-12081-700
1	22	DECK, BLOWER (FRONT)	073-17512-002	073-17513-000	073-17513-000
1	23	EXCHANGER, HEAT (ASS'Y)	373-17519-004	373-17519-008	373-17519-005
1	24	MANIFOLD, GAS	029-22114-003	029-22114-003	029-22114-004
1	25	PANEL, ACCESS (BURNERS)	073-17524-001	073-17524-002	073-17524-002
1	26	PANEL, BASE	073-17518-001	073-17518-002	073-17518-002
1	27	PANEL, DOOR FILL	073-18202-001	073-18202-002	073-18202-002
1	28	PANEL, FRONT (BLOWER)	073-17880-011	073-17880-012	073-17880-012
1	29	PANEL, TOP	073-17517-002	073-17517-003	073-17517-003
1	30	WRAPPER	373-17511-001	373-17511-002	373-17511-002
*	31	FILTER (14 x 20) (2-REQ'D)	026-23050-004	026-23050-004	026-23050-004

NOTES: * NOT SHOWN

MAJOR COMPONENTS AND SUGGESTED STOCKING ITEMS ARE SHOWN WITH SHADED ITEM NUMBER.

NEW REPLACEMENT PARTS SHOWN IN **BOLD FACE** TYPE AT THE FIRST PRINTING OF PARTS LIST CODE DATED 1/98.

"<" AT SIDE OF PAGE INDICATES CHANGE WAS MADE IN THAT ROW.

"<" ACROSS FROM MODEL NUMBER INDICATES ENTIRE PUBLICATION IS NEW.

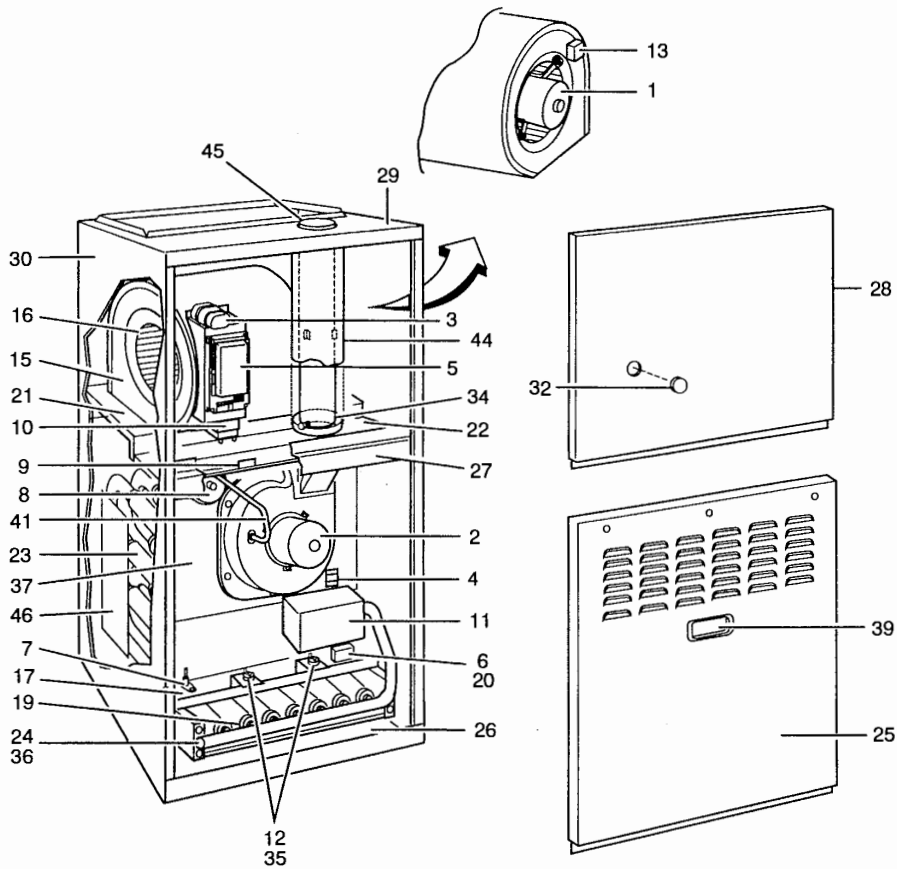


FIG. 1 – DOWNFLOW NATURAL GAS FURNACES (80+)

FABRICATED PARTS (Cont.)

FIG	ITEM	DESCRIPTION	PCDFALD12N080 (4 BURNERS)	PCDFBLD16N080 (4 BURNERS)	PCDFBLD12N100 (5 BURNERS)
1	32	PLUG, WINDOW	025-30899-000	025-30899-000	025-30899-000
*	33	RACK, FILTER	362-93782-000	362-93782-000	362-93782-000
1	34	GASKET, VENT PIPE	013-02905-000	013-02905-000	013-02905-000
1	35	BRACKET, ROLL-OUT SWITCH	073-12033-700	073-12033-700	073-12033-700

MISC.

1	36	ORIFICE, BURNER (NATURAL #45)	029-21182-045	029-21182-045	029-21182-045
1	37	PLATE, RESTRICTOR	073-17487-159	073-17785-159	073-17488-172
*	38	COLLAR, FLUE	073-17507-000	073-17507-000	073-17507-000
1	39	HANDLE, DOOR	029-22113-000	029-22113-000	029-22113-000
*	40	GASKET, RESTRICTOR PLATE	028-13259-000	028-13281-000	028-13260-000
1	41	TUBING, RUBBER	028-11957-000	028-11957-000	028-11957-000
*	42	WIRING DIAGRAM	035-14242-000	035-14242-000	035-14242-000
*	43	WIRING HARNESS	373-17875-001	373-17875-002	373-17875-002
1	44	HOUSING, FLUE	026-35453-002	026-35453-002	026-35453-002
1	45	VENT PIPE	026-25562-003	026-25562-003	026-25562-003
1	46	RETAINER, INSULATION	073-18035-001	073-18035-002	073-18035-002
*	47	GASKET, VENTOR INLET	028-13292-000	028-13292-000	028-13292-000
*	48	GASKET, VENTOR OUTLET	028-13293-000	028-13293-000	028-13293-000
*	49	MOTOR MOUNT	026-31480-000	026-31459-000	026-31480-000
*	50	ISOLATOR, TUBE (3-REQ'D)	028-09412-001	028-09412-001	028-09412-001
*	51	ISOLATOR, WASHER (3-REQ'D)	028-09412-002	028-09412-002	028-09412-002
*	52	ISOLATOR, SLEEVE (3-REQ'D)	028-09412-003	028-09412-003	028-09412-003

NOTES: * NOT SHOWN

MAJOR COMPONENTS AND SUGGESTED STOCKING ITEMS ARE SHOWN WITH SHADED ITEM NUMBER.
NEW REPLACEMENT PARTS SHOWN IN **BOLD FACE** TYPE AT THE FIRST PRINTING OF PARTS LIST CODE DATED 1/98.

"<" AT SIDE OF PAGE INDICATES CHANGE WAS MADE IN THAT ROW.

"<" ACROSS FROM MODEL NUMBER INDICATES ENTIRE PUBLICATION IS NEW.

MOTORS

FIG	ITEM	DESCRIPTION	PCDFCLD20N100	PCDFCLD16N115	PCDFCLD20N115
			(5 BURNERS)	(6 BURNERS)	(6 BURNERS)
1	1	MOTOR, DIRECT DRIVE BLOWER	024-23238-001	024-23211-702	024-23238-001
1	2	MOTOR, VENTOR W/WHEEL, HOUSING & GSKT.	024-27519-000	024-27519-000	024-27519-000

ELECTRICAL

1	3	CAPACITOR, RUN (15MFD/370V)	[RC] 024-20446-700	- - -	024-20446-700
1	3	CAPACITOR, RUN (10MFD/370V)	[RC] - - -	024-20046-700	- - -
1	4	SWITCH, LIMIT	[LS1] 025-29041-002	025-29041-004	025-29041-002
1	5	CONTROL, FURNACE	[FC] 031-01266-000	031-01266-000	031-01266-000
1	6	IGNITOR, HOT SURFACE	025-32625-000	025-32625-000	025-32625-000
1	7	SENSOR, FLAME	025-27773-700	025-27773-700	025-27773-700
1	8	SWITCH, AIR PRESSURE	[1LP] 024-25808-007	024-25808-007	024-25808-007
1	9	SWITCH, CONTROL (BLOWER DOOR)	[SW] 024-25811-000	024-25811-000	024-25811-000
1	10	TRANSFORMER	025-30889-000	025-30889-000	025-30889-000
1	11	VALVE, GAS	025-31996-000	025-31996-000	025-31996-000
1	12	SWITCH, FLAME ROLL-OUT	[ROS1, 2] 025-27747-018	025-27747-018	025-27747-018
1	13	CONTROL, AUXILIARY LIMIT	[LS2] 025-27792-708	025-27792-708	025-27792-708
*	14	FUSE (ATO-3)	025-32746-026	025-32746-026	025-32746-026

AIR MOVING

1	15	HOUSING, BLOWER	373-17829-001	373-17829-001	373-17829-001
1	16	WHEEL, BLOWER	026-19654-014	026-19654-014	026-19654-014
*	16A	CUTOFF, BLOWER	063-78006-000	063-78006-000	063-78006-000

FABRICATED PARTS

1	17	SHIELD, SECONDARY AIR	073-17404-005	073-17404-006	073-17404-006
*	18	BAFFLE, FLUE	073-17775-003	073-17775-004	073-17775-004
1	19	BURNER, MAIN GAS	029-20482-000	029-20482-000	029-20482-000
1	20	BRACKET, IGNITOR	073-17403-000	073-17403-000	073-17403-000
1	21	DECK, BLOWER (REAR)	073-12082-000	073-12082-000	073-12082-000
1	22	DECK, BLOWER (FRONT)	073-17514-000	073-17514-000	073-17514-000
1	23	EXCHANGER, HEAT (ASS'Y)	373-17519-009	373-17519-006	373-17519-006
1	24	MANIFOLD, GAS	029-22114-004	029-22114-005	029-22114-005
1	25	PANEL, ACCESS (BURNERS)	073-17524-003	073-17524-003	073-17524-003
1	26	PANEL, BASE	073-17518-003	073-17518-003	073-17518-003
1	27	PANEL, DOOR FILL	073-18202-003	073-18202-003	073-18202-003
1	28	PANEL, FRONT (BLOWER)	073-17880-013	073-17880-013	073-17880-013
1	29	PANEL, TOP	073-17517-004	073-17517-004	073-17517-004
1	30	WRAPPER	373-17511-003	373-17511-003	373-17511-003
*	31	FILTER (14 x 20) (2-REQ'D)	026-23050-004	026-23050-004	026-23050-004
1	32	PLUG, WINDOW	025-30899-000	025-30899-000	025-30899-000
*	33	RACK, FILTER	362-93782-000	362-93782-000	362-93782-000
1	34	GASKET, VENT PIPE	013-02905-000	013-02905-000	013-02905-000
1	35	BRACKET, ROLL-OUT SWITCH	073-12033-700	073-12033-700	073-12033-700

MISC.

1	36	ORIFICE, BURNER (NATURAL #45)	029-21182-045	029-21182-045	029-21182-045
1	37	PLATE, RESTRICTOR	073-17787-172	073-17489-184	073-17489-184
*	38	COLLAR, FLUE	073-17507-000	073-17507-000	073-17507-000
1	39	HANDLE, DOOR	029-22113-000	029-22113-000	029-22113-000
*	40	GASKET, RESTRICTOR PLATE	028-13283-000	028-13261-000	028-13261-000
1	41	TUBING, RUBBER	028-11957-000	028-11957-000	028-11957-000
*	42	WIRING DIAGRAM	035-14242-000	035-14242-000	035-14242-000
*	43	WIRING HARNESS	373-17875-002	373-17875-003	373-17875-003
1	44	HOUSING, FLUE	026-35453-002	026-35453-002	026-35453-002

NOTES: * NOT SHOWN

MAJOR COMPONENTS AND SUGGESTED STOCKING ITEMS ARE SHOWN WITH SHADED ITEM NUMBER. NEW REPLACEMENT PARTS SHOWN IN **BOLD FACE** TYPE AT THE FIRST PRINTING OF PARTS LIST CODE DATED 1/98.

* < AT SIDE OF PAGE INDICATES CHANGE WAS MADE IN THAT ROW.

* < ACROSS FROM MODEL NUMBER INDICATES ENTIRE PUBLICATION IS NEW.

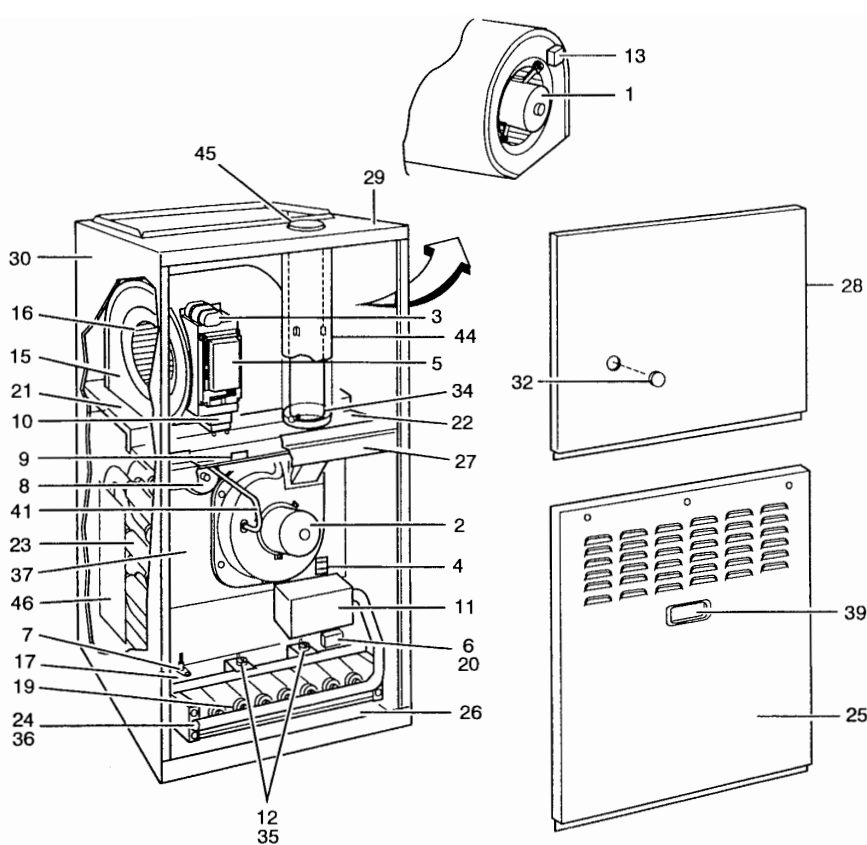


FIG. 1 – DOWNFLOW NATURAL GAS FURNACES (80+)

MISC. (Cont.)

FIG	ITEM	DESCRIPTION	PCDFCLD20N100 (5 BURNERS)	PCDFCLD16N115 (6 BURNERS)	PCDFCLD20N115 (6 BURNERS)
1	45	VENT PIPE	026-25562-003	026-25562-003	026-25562-003
1	46	RETAINER, INSULATION	073-18075-003	073-18075-003	073-18075-003
*	47	GASKET, VENTOR INLET	028-13292-000	028-13292-000	028-13292-000
*	48	GASKET, VENTOR OUTLET	028-13293-000	028-13293-000	028-13293-000
*	49	MOTOR MOUNT	026-31459-000	026-31459-000	026-31459-000
*	50	ISOLATOR, TUBE (3-REQ'D)	028-09412-001	028-09412-001	028-09412-001
*	51	ISOLATOR, WASHER (3-REQ'D)	028-09412-002	028-09412-002	028-09412-002
*	52	ISOLATOR, SLEEVE (3-REQ'D)	028-09412-003	028-09412-003	028-09412-003

ADDITIONAL MODELS

MOTORS

FIG	ITEM	DESCRIPTION	PCDFDLD20N130 (7 BURNERS)
1	1	MOTOR, DIRECT DRIVE BLOWER	024-23238-001
1	2	MOTOR, VENTOR W/WHEEL, HOUSING & GSKT.	024-27519-000

ELECTRICAL

1	3	CAPACITOR, RUN (15MFD/370V)	[RC]	024-20446-700
1	4	SWITCH, LIMIT	[LS1]	025-29041-011
1	5	CONTROL, FURNACE	[FC]	031-01266-000
1	6	IGNITION, HOT SURFACE		025-32625-000
1	7	SENSOR, FLAME		025-27773-700
1	8	SWITCH, AIR PRESSURE	[1LP]	024-25808-007
1	9	SWITCH, CONTROL (BLOWER DOOR)	[SW]	024-25811-000
1	10	TRANSFORMER		025-30889-000

NOTES: * NOT SHOWN
 MAJOR COMPONENTS AND SUGGESTED STOCKING ITEMS ARE SHOWN WITH SHADED ITEM NUMBER.
 NEW REPLACEMENT PARTS SHOWN IN **BOLD FACE** TYPE AT THE FIRST PRINTING OF PARTS LIST CODE DATED 1/98.
 "<" AT SIDE OF PAGE INDICATES CHANGE WAS MADE IN THAT ROW.
 "<" ACROSS FROM MODEL NUMBER INDICATES ENTIRE PUBLICATION IS NEW.

ELECTRICAL (Cont.)

FIG	ITEM	DESCRIPTION	PCDFDL20N130
			(7 BURNERS)
1	11	VALVE, GAS	025-31996-000
1	12	SWITCH, FLAME ROLL-OUT [ROS1, 2]	025-27747-018
1	13	CONTROL, AUXILIARY LIMIT [LS2]	025-27792-708 <
*	14	FUSE (ATO-3)	025-32746-026 <

AIR MOVING

1	15	HOUSING, BLOWER	373-17829-001 <
1	16	WHEEL, BLOWER	026-19654-014 <

FABRICATED PARTS

1	17	SHIELD, SECONDARY AIR	073-17404-007
*	18	BAFFLE, FLUE	073-17775-005
1	19	BURNER, MAIN GAS	029-20482-000
1	20	BRACKET, IGNITOR	073-17403-000
1	21	DECK, BLOWER (REAR)	073-12083-000
1	22	DECK, BLOWER (FRONT)	073-17515-000
1	23	EXCHANGER, HEAT (ASS'Y)	373-17519-007
1	24	MANIFOLD, GAS	029-22114-006
1	25	PANEL, ACCESS (BURNERS)	073-17524-004
1	26	PANEL, BASE	073-17518-004
1	27	PANEL, DOOR FILL	073-18202-004 <
1	28	PANEL, FRONT (BLOWER)	073-17880-014
1	29	PANEL, TOP	073-17517-005
1	30	WRAPPER	373-17511-004
*	31	FILTER (26 x 24 x 1)	026-23050-004
1	32	PLUG, WINDOW	025-30899-000
1	33	RACK, FILTER	362-93782-000
1	34	GASKET, VENT PIPE	013-02905-000 <
1	35	BRACKET, FLAME ROLL-OUT SWITCH	073-12033-700

MISC.

1	36	ORIFICE, BURNER (NATURAL #45)	029-21182-045
1	37	PLATE, RESTRICTOR	073-17490-194
*	38	COLLAR, FLUE	073-17507-000
1	39	HANDLE, DOOR	029-22113-000
*	40	GASKET, RESTRICTOR PLATE	028-13262-000
1	41	TUBING, RUBBER	028-11957-000
*	42	WIRING DIAGRAM	035-14242-000
*	43	WIRING HARNESS	373-17875-003
1	44	HOUSING, FLUE	026-35453-002 <
1	45	VENT PIPE	026-25562-003
1	46	RETAINER, INSULATION	073-18035-004 <
*	47	GASKET, VENTOR INLET	028-13292-000
*	48	GASKET, VENTOR OUTLET	028-13293-000
*	49	MOTOR MOUNT	026-31459-000 <
*	50	ISOLATOR, TUBE (3-REQ'D)	028-09412-001
*	51	ISOLATOR, WASHER (3-REQ'D)	028-09412-002
*	52	ISOLATOR, SLEEVE (3-REQ'D)	028-09412-003

- NOTES: * NOT SHOWN
 MAJOR COMPONENTS AND SUGGESTED STOCKING ITEMS ARE SHOWN WITH SHADED ITEM NUMBER.
 NEW REPLACEMENT PARTS SHOWN IN **BOLD FACE** TYPE AT THE FIRST PRINTING OF PARTS LIST CODE DATED 1/98.
 "<" AT SIDE OF PAGE INDICATES CHANGE WAS MADE IN THAT ROW.
 "<*" ACROSS FROM MODEL NUMBER INDICATES ENTIRE PUBLICATION IS NEW.

FIELD INSTALLED ACCESSORIES – Non-Electrical

MODEL NO.	DESCRIPTION	USED WITH
1NP0347	Propane (LP) Conversion Kit	PCDF/040, 080, & 100
1NP0348	Propane (LP) Conversion Kit	PCDF/060, 115 & 130 Only
1PS0301	High Altitude Pressure Switch (Does Not Include Orifices)	PCDF See Chart Below
1PS0302		
1PS0311		
1PS0312		
1CB0314	Combustible Floor Base for Downflow Units	PCDF 14-1/2" Cabinets
1CB0317		PCDF 17-1/2" Cabinets
1CB0321		PCDF 21" Cabinets
1CB0324		PCDF 24-1/2" Cabinets

Input (MBH)	Output (MBH)	2,000 Ft. to 5,500 Ft.	> 5,500 to 10,000 Ft.
Upflow/Horizontal Models			
40	32	1PS0301	1PS0301
60	48	1PS0301	1PS0301
80	64	1PS0302	1PS0301
100	80	1PS0312	1PS0311
115	92	1PS0312	1PS0311
130	104	1PS0312	1PS0311

PCDF STYLE "B" STANDARD AND LOW NOX UNITS ARE THE SAME AS PCDF STYLE "A" STANDARD AND LOW NOX UNITS EXCEPT FOR THE FOLLOWING PARTS:

DESCRIPTION	PCDFALD08 (N or L) 040B	PCDFALD08 (N or L) 060B	PCDFALD12 (N or L) 060B	PCDFALD12 (N or L) 080B
DECK, BLOWER (FRONT)	073-18247-001	073-18247-001	073-18247-001	073-18247-002
WIRING HARNESS	373-17875-004	373-17875-004	373-17875-004	373-17875-004

PCDF "LOW NOX" UNITS ARE THE SAME AS PCDF "STANDARD" UNITS EXCEPT FOR THE FOLLOWING PARTS:

MODEL NO.	PLATE, RESTRICTOR	(QTY)	BURNER SCREEN	(QTY)
PCDFALD08L040	073-17777-138	(1)	073-35452-000	(2)
PCDFALD08L060	073-17777-150	(1)	073-35452-000	(3)
PCDFALD12L060	073-17777-150	(1)	073-35452-000	(3)
PCDFALD12L080	073-17487-172	(1)	073-35452-000	(4)
PCDFBLD16L080	073-17785-172	(1)	073-35452-000	(4)
PCDFBLD12L100	073-17488-184	(1)	073-35452-000	(5)
PCDFCLD20L100	073-17787-184	(1)	073-35452-000	(5)
PCDFCLD16L115	073-17489-197	(1)	073-35452-000	(6)
PCDFCLD20L115	073-17489-197	(1)	073-35452-000	(6)
PCDFDL20L130	073-17490-213	(1)	073-35452-000	(7)