

REPLACEMENT PARTS

MULTI-POSITION NATURAL GAS FURNACES (80+)
INCLUDING LOW NOX UNITS (SEE PAGE 8)

Supersedes: 650.74-RP1W (797)

e 650.74-RP1W (198)

1 of 8
035-14233

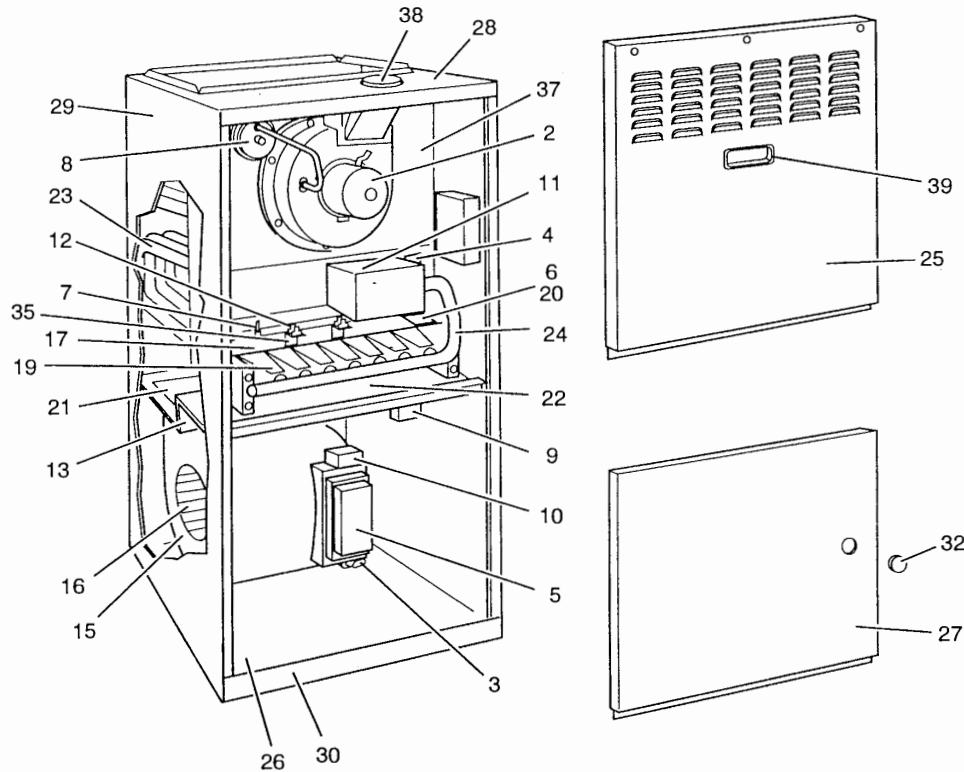


FIG. 1 – MULTI-POSITION NATURAL GAS FURNACES (80+)

MOTORS

FIG	ITEM	DESCRIPTION	PCUHALD08N040 (2 BURNERS)	PCUHALD12N040 (2 BURNERS)	PCUHALD08N060 (3 BURNERS)	PCUHALD12N060 (3 BURNERS)
*	1	MOTOR, DIRECT DRIVE BLOWER	024-25108-003	024-25103-702	024-25108-003	024-25103-702
1	2	MOTOR, VENTOR WWHEEL, HOUSING & GSKT.	024-27519-000	024-27519-000	024-27519-000	024-27519-000

ELECTRICAL

1	3	CAPACITOR, RUN (5MFD/370V)	[RC] 024-20043-700	- - -	024-20043-700	- - -
1	3	CAPACITOR, RUN (7.5 MFD/370V)	[RC] - - -	024-20045-700	- - -	024-20045-000
1	4	SWITCH, LIMIT	025-29041-711	025-29041-711	025-29041-002	025-29041-002
1	5	CONTROL, FURNACE	[FC] 031-01266-000	031-01266-000	031-01266-000	031-01266-000
1	6	IGNITOR, HOT SURFACE	025-32625-000	025-32625-000	025-32625-000	025-32625-000
1	7	SENSOR, FLAME	025-27773-700	025-27773-700	025-27773-700	025-27773-700
1	8	SWITCH, AIR PRESSURE	[1LP] 024-25808-008	024-25808-008	024-25808-008	024-25808-008
1	9	SWITCH, CONTROL (BLOWER DOOR)	[SW] 024-25811-000	024-25811-000	024-25811-000	024-25811-000
1	10	TRANSFORMER	025-30889-000	025-30889-000	025-30889-000	025-30889-000
1	11	VALVE, GAS	025-31996-000	025-31996-000	025-31996-000	025-31996-000
1	12	SWITCH, FLAME ROLL-OUT - TOP	[ROS 3] 025-27747-016	025-27747-016	025-27747-016	025-27747-016
*	12A	SWITCH, FLAME ROLL-OUT - SIDE	[ROS1, 2] 025-27792-009	025-27792-009	025-27792-009	025-27792-009
1	13	CONTROL, AUXILIARY LIMIT	[LS2, LS3] 025-30321-700	025-30321-700	025-30321-700	025-30321-700
*	14	FUSE (ATO-3)	025-32746-026	025-32746-026	025-32746-026	025-32746-026

NOTES: * NOT SHOWN

MAJOR COMPONENTS AND SUGGESTED STOCKING ITEMS ARE SHOWN WITH SHADED ITEM NUMBER.

NEW REPLACEMENT PARTS SHOWN IN **BOLD FACE** TYPE AT THE FIRST PRINTING OF PARTS LIST CODE DATED 1/98.

*-< AT SIDE OF PAGE INDICATES CHANGE WAS MADE IN THAT ROW.

*-< ACROSS FROM MODEL NUMBER INDICATES ENTIRE PUBLICATION IS NEW.

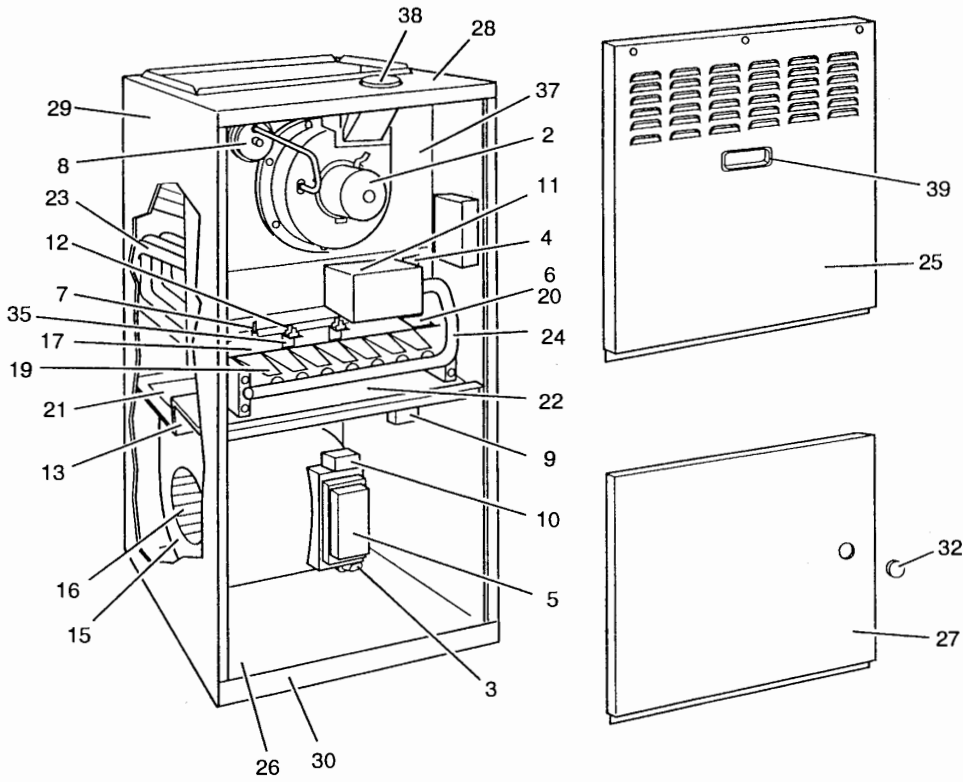


FIG. 1 – MULTI-POSITION NATURAL GAS FURNACES (80+)

AIR MOVING

FIG	ITEM	DESCRIPTION	PCUHALD08N040 (2 BURNERS)	PCUHALD12N040 (2 BURNERS)	PCUHALD08N060 (3 BURNERS)	PCUHALD12N060 (3 BURNERS)
1	15	HOUSING, BLOWER	373-17771-002	373-17827-001	373-17771-002	373-17827-001
1	16	WHEEL, BLOWER	026-19654-702	026-19654-010	026-19654-702	026-19654-010

FABRICATED PARTS

1	17	SHIELD, SECONDARY AIR	073-17404-002	073-17404-002	073-17404-003	073-17404-003
*	18	BAFFLE, FLUE	073-17775-001	073-17775-001	073-17775-001	073-17775-001
1	19	BURNER, MAIN GAS	029-20482-000	029-20482-000	029-20482-000	029-20482-000
1	20	BRACKET, IGNITOR	073-17403-000	073-17403-000	073-17403-000	073-17403-000
1	21	DECK, BLOWER (REAR)	073-17501-002	073-17501-002	073-17501-002	073-17501-002
1	22	DECK, BLOWER (FRONT)	073-17496-000	073-17496-000	073-17496-000	073-17496-000
1	23	EXCHANGER, HEAT (ASS'Y)	373-17477-002	373-17477-002	373-17477-003	373-17477-003
1	24	MANIFOLD, GAS	029-22114-001	029-22114-001	029-22114-002	029-22114-002
1	25	PANEL, ACCESS (BURNERS)	073-17524-001	073-17524-001	073-17524-001	073-17524-001
1	26	PANEL, BASE	073-17504-001	073-17504-001	073-17504-001	073-17504-001
1	27	PANEL, FRONT (BLOWER)	073-17522-011	073-17522-011	073-17522-011	073-17522-011
1	28	PANEL, TOP	073-17491-001	073-17491-001	073-17491-001	073-17491-001
1	29	WRAPPER	373-17476-001	373-17476-001	373-17476-001	373-17476-001
1	30	CHANNEL, TOE PLATE	073-12062-005	073-12062-005	073-12062-005	073-12062-005
*	31	FILTER (26 x 16 x 1)	026-28048-001	026-28048-001	026-28048-001	026-28048-001
1	32	PLUG, WINDOW	025-30899-000	025-30899-000	025-30899-000	025-30899-000
*	33	RETAINER, FILTER	026-28040-000	026-28040-000	026-28040-000	026-28040-000
*	34	CLIP, SPRING (FILTER RETAINER)	021-16017-000	021-16017-000	021-16017-000	021-16017-000
1	35	BRACKET, ROLL-OUT SWITCH	073-12033-700	073-12033-700	073-12033-700	073-12033-700

MISC.

*	36	ORIFICE, BURNER (NATURAL #45)	029-21182-045	029-21182-045	029-21182-045	029-21182-045
1	37	PLATE, RESTRICTOR	073-17777-106	073-17777-106	073-17777-138	073-17777-138
1	38	COLLAR, FLUE	073-17506-000	073-17506-000	073-17506-000	073-17506-000
1	39	HANDLE, DOOR	029-22113-000	029-22113-000	029-22113-000	029-22113-000

NOTES: * NOT SHOWN
 MAJOR COMPONENTS AND SUGGESTED STOCKING ITEMS ARE SHOWN WITH SHADED ITEM NUMBER.
 NEW REPLACEMENT PARTS SHOWN IN BOLD FACE TYPE AT THE FIRST PRINTING OF PARTS LIST CODE DATED 1/98.
 *< AT SIDE OF PAGE INDICATES CHANGE WAS MADE IN THAT ROW.
 *< ACROSS FROM MODEL NUMBER INDICATES ENTIRE PUBLICATION IS NEW.

MISC. (Cont.)

FIG	ITEM	DESCRIPTION	PCUHALD08N040 (2 BURNERS)	PCUHALD12N040 (2 BURNERS)	PCUHALD08N060 (3 BURNERS)	PCUHALD12N060 (3 BURNERS)
*	40	GASKET, RESTRICTOR PLATE	028-13258-000	028-13258-000	028-13258-000	028-13258-000
*	41	TUBING, RUBBER	028-11957-000	028-11957-000	028-11957-000	028-11957-000
*	42	SPRING, DOOR	029-22119-000	029-22119-000	029-22119-000	029-22119-000
*	43	WIRING DIAGRAM	035-14241-000	035-14241-000	035-14241-000	035-14241-000
*	44	WIRING HARNESS	373-17837-001	373-17837-001	373-17837-001	373-17837-001
*	45	GASKET, VENTOR INLET	028-13292-000	028-13292-000	028-13292-000	028-13292-000
*	46	GASKET, VENTOR OUTLET	028-13293-000	028-13293-000	028-13293-000	028-13293-000

ADDITIONAL MODELS

MOTORS

FIG	ITEM	DESCRIPTION	PCUHALD12N080 (4 BURNERS)	PCUHBLD16N080 (4 BURNERS)	PCUHBLD12N100 (5 BURNERS)	PCUHBLD16N100 (5 BURNERS)
*	1	MOTOR, DIRECT DRIVE BLOWER	024-25103-702	024-27540-000	024-25110-700	024-27540-000
1	2	MOTOR, VENTOR W/WHEEL, HOUSING & GSKT.	024-27519-000	024-27519-000	024-27519-000	024-27519-000

ELECTRICAL

1	3	CAPACITOR, RUN (7.5MFD/370V)	[RC] 024-20045-700	- - -	024-20045-700	- - -
1	3	CAPACITOR, RUN (10MFD/370V)	[RC] - - -	024-20046-700	- - -	024-20046-700
1	4	SWITCH, LIMIT	025-29041-005	025-29041-005	025-29041-005	025-29041-005
1	5	CONTROL, FURNACE	[FC] 031-01266-000	031-01266-000	031-01266-000	031-01266-000
1	6	IGNITOR, HOT SURFACE	025-32625-000	025-32625-000	025-32625-000	025-32625-000
1	7	SENSOR, FLAME	025-27773-700	025-27773-700	025-27773-700	025-27773-700
1	8	SWITCH, AIR PRESSURE	[1LP] 024-25808-701	024-25808-701	024-25808-007	024-25808-007
1	9	SWITCH, CONTROL (BLOWER DOOR)	[SW] 024-25811-000	024-25811-000	024-25811-000	024-25811-000
1	10	TRANSFORMER	025-30889-000	025-30889-000	025-30889-000	025-30889-000
1	11	VALVE, GAS	025-31996-000	025-31996-000	025-31996-000	025-31996-000
1	12	SWITCH, FLAME ROLL-OUT - TOP	[ROS3, 4] 025-27747-016	025-27747-016	025-27747-018	025-27747-018
*	12A	SWITCH, FLAME ROLL-OUT - SIDE	[ROS1, 2] 025-27792-009	025-27792-009	025-27792-009	025-27792-009
1	13	CONTROL, AUXILIARY LIMIT	[LS2, LS3] 025-30321-700	025-30321-700	025-30321-700	025-30321-700
*	14	FUSE (ATO-3)	025-32746-026	025-32746-026	025-32746-026	025-32746-026

AIR MOVING

1	15	HOUSING, BLOWER	373-17827-001	373-17828-001	373-17827-001	373-17828-001
1	16	WHEEL, BLOWER	026-19654-010	026-32088-701	026-32088-702	026-32088-701

FABRICATED PARTS

1	17	SHIELD, SECONDARY AIR	073-17404-004	073-17404-004	073-17404-005	073-17404-005
*	18	BAFFLE, FLUE	073-17775-002	073-17775-002	073-17775-003	073-17775-003
1	19	BURNER, MAIN GAS	029-20482-000	029-20482-000	029-20482-000	029-20482-000
1	20	BRACKET, IGNITOR	073-17403-000	073-17403-000	073-17403-000	073-17403-000
1	21	DECK, BLOWER (REAR)	073-17502-002	073-17503-002	073-12081-001	073-12081-001
1	22	DECK, BLOWER (FRONT)	073-17496-000	073-17497-000	073-17497-000	073-17497-000
1	23	EXCHANGER, HEAT (ASS'Y)	373-17477-004	373-17477-008	373-17477-005	373-17477-005
1	24	MANIFOLD, GAS	029-22114-003	029-22114-003	029-22114-004	029-22114-004
1	25	PANEL, ACCESS (BURNERS)	073-17524-001	073-17524-002	073-17524-002	073-17524-002
1	26	PANEL, BASE	073-17504-001	073-17504-002	073-17504-002	073-17504-002
1	27	PANEL, FRONT (BLOWER)	073-17522-011	073-17522-012	073-17522-012	073-17522-012
1	28	PANEL, TOP	073-17491-002	073-17492-000	073-17492-000	073-17492-000
1	29	WRAPPER	373-17476-001	373-17476-002	373-17476-002	373-17476-002
1	30	CHANNEL, TOE PLATE	073-12062-005	073-12062-002	073-12062-002	073-12062-002

NOTES: * NOT SHOWN

MAJOR COMPONENTS AND SUGGESTED STOCKING ITEMS ARE SHOWN WITH SHADED ITEM NUMBER.

NEW REPLACEMENT PARTS SHOWN IN **BOLD FACE** TYPE AT THE FIRST PRINTING OF PARTS LIST CODE DATED 1/98.

*-< AT SIDE OF PAGE INDICATES CHANGE WAS MADE IN THAT ROW.

*-<

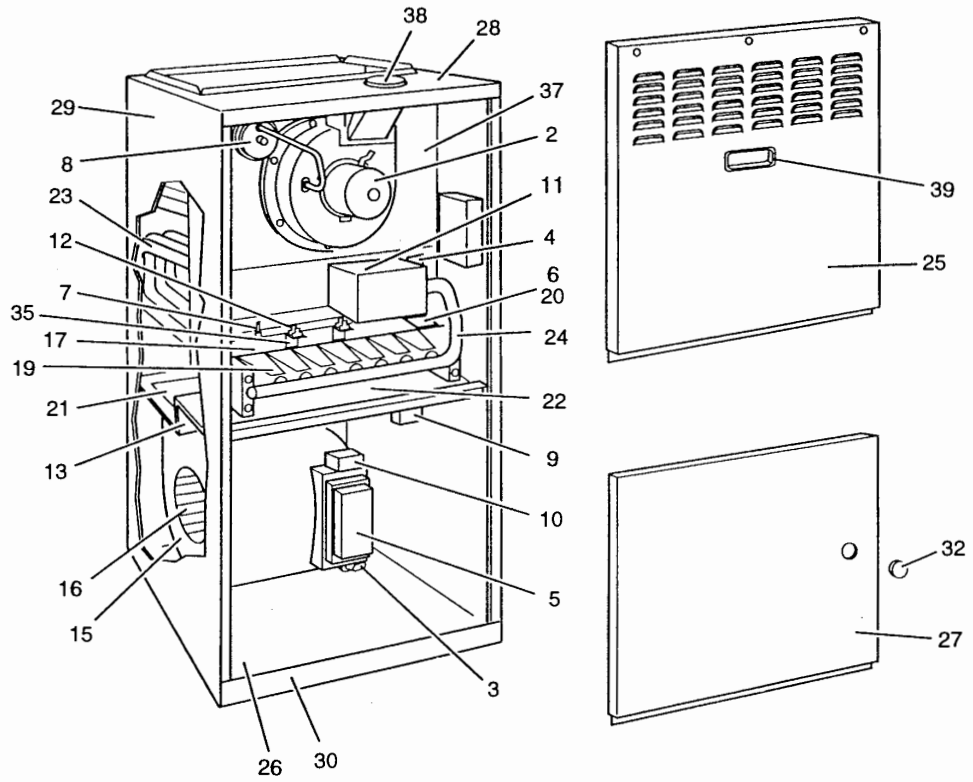


FIG. 1 – MULTI-POSITION NATURAL GAS FURNACES (80+)

FABRICATED PARTS (Cont.)

FIG	ITEM	DESCRIPTION	PCUHALD12N080 (4 BURNERS)	PCUHBLD16N080 (4 BURNERS)	PCUHBLD12N100 (5 BURNERS)	PCUHBLD16N100 (5 BURNERS)
*	31	FILTER (26 x 16 x 1)	026-28048-001	026-28048-001	026-28048-001	026-28048-001
1	32	PLUG, WINDOW	025-30899-000	025-30899-000	025-30899-000	025-30899-000
*	33	RETAINER, FILTER	026-28040-000	026-28040-000	026-28040-000	026-28040-000
*	34	CLIP, SPRING (FILTER RETAINER)	021-16017-000	021-16017-000	021-16017-000	021-16017-000
1	35	BRACKET, ROLL-OUT SWITCH	073-12033-700	073-12033-700	073-12033-700	073-12033-700

MISC.

*	36	ORIFICE, BURNER (NATURAL #45)	029-21182-045	029-21182-045	029-21182-045	029-21182-045
1	37	PLATE, RESTRICTOR	073-17487-159	073-17785-159	073-17488-177	073-17488-184
1	38	COLLAR, FLUE	073-17507-000	073-17507-000	073-17507-000	073-17507-000
1	39	HANDLE, DOOR	029-22113-000	029-22113-000	029-22113-000	029-22113-000
*	40	GASKET, RESTRICTOR PLATE	028-13259-000	028-13281-000	028-13260-000	028-13260-000
*	41	TUBING, RUBBER	028-11957-000	028-11957-000	028-11957-000	028-11957-000
*	42	ISOLATOR, TUBE (3 REQ.)	- - -	028-09412-001	028-09412-001	028-09412-001
*	43	ISOLATOR, WASHER (3 REQ.)	- - -	028-09412-002	028-09412-002	028-09412-002
*	44	ISOLATOR, SLEEVE (3 REQ.)	- - -	028-09412-003	028-09412-003	028-09412-003
*	45	SPRING, DOOR	029-22119-000	029-22119-000	029-22119-000	029-22119-000
*	46	MOTOR MOUNT	- - -	026-31480-000	026-31480-000	026-31480-000
*	47	WIRING DIAGRAM	035-14241-000	035-14241-000	035-14241-000	035-14241-000
*	48	WIRING HARNESS	373-17837-001	373-17837-001	373-17837-001	373-17837-001
*	49	GASKET, VENTOR INLET	028-13292-000	028-13292-000	028-13292-000	028-13292-000
*	50	GASKET, VENTOR OUTLET	028-13293-000	028-13293-000	028-13293-000	028-13293-000

NOTES: * NOT SHOWN
 MAJOR COMPONENTS AND SUGGESTED STOCKING ITEMS ARE SHOWN WITH SHADED ITEM NUMBER.
 NEW REPLACEMENT PARTS SHOWN IN **BOLD FACE** TYPE AT THE FIRST PRINTING OF PARTS LIST CODE DATED 1/98.
 "*" AT SIDE OF PAGE INDICATES CHANGE WAS MADE IN THAT ROW.
 "<" ACROSS FROM MODEL NUMBER INDICATES ENTIRE PUBLICATION IS NEW.

MOTORS

FIG	ITEM	DESCRIPTION	PCUHCLD20N080 (4 BURNERS)	PCUHCLD20N100 (5 BURNERS)	PCUHCLD16N115 (6 BURNERS)	PCUHCLD20N115 (6 BURNERS)
*	1	MOTOR, DIRECT DRIVE BLOWER	024-23211-702	024-23211-702	024-27540-000	024-23211-702
1	2	MOTOR, VENTOR W/WHEEL, HOUSING & GSKT.	024-27519-000	024-27519-000	024-27519-000	024-27519-000

ELECTRICAL

1	3	CAPACITOR, RUN (10MFD/370V)	[RC] 024-20046-700	024-20046-700	024-20046-700	024-20046-700
1	4	SWITCH, LIMIT	025-29041-005	025-29041-002	025-29041-005	025-29041-005
1	5	CONTROL, FURNACE	[FC] 031-01266-000	031-01266-000	031-01266-000	031-01266-000
1	6	IGNITOR, HOT SURFACE	025-32625-000	025-32625-000	025-32625-000	025-32625-000
1	7	SENSOR, FLAME	025-27773-700	025-27773-700	025-27773-700	025-27773-700
1	8	SWITCH, AIR PRESSURE	[1LP] 024-25808-701	024-25808-007	024-25808-007	024-25808-007
1	9	SWITCH, CONTROL (BLOWER DOOR)	[SW] 024-25811-000	024-25811-000	024-25811-000	024-25811-000
1	10	TRANSFORMER	025-30889-000	025-30889-000	025-30889-000	025-30889-000
1	11	VALVE, GAS	025-31996-000	025-31996-000	025-31996-000	025-31996-000
1	12	SWITCH, FLAME ROLL-OUT - TOP	[ROS3, 4] 025-27747-016	025-27747-018	025-27747-018	025-27747-018
*	12A	SWITCH, FLAME ROLL-OUT - SIDE	[ROS1, 2] 025-27792-009	025-27792-009	025-27792-009	025-27792-009
1	13	CONTROL, AUXILIARY LIMIT	LS2, LS3 025-30321-700	025-30321-700	025-30321-700	025-30321-700
*	14	FUSE (ATO-3)	025-32746-026	025-32746-026	025-32746-026	025-32746-026

AIR MOVING

1	15	HOUSING, BLOWER	373-17829-001	373-17829-001	373-17828-001	373-17829-001
1	16	WHEEL, BLOWER	026-30576-700	026-30576-700	026-32088-701	026-30576-700
*	16A	CUTOFF, BLOWER	063-78006-000	063-78006-000	- - -	063-78006-000

FABRICATED PARTS

1	17	SHIELD, SECONDARY AIR	073-17404-004	073-17404-005	073-17404-006	073-17404-006
*	18	BAFFLE, FLUE	073-17775-002	073-17775-003	073-17775-004	073-17775-004
1	19	BURNER, MAIN GAS	029-20482-000	029-20482-000	029-20482-000	029-20482-000
1	20	BRACKET, IGNITOR	073-17403-000	073-17403-000	073-17403-000	073-17403-000
1	21	DECK, BLOWER (REAR)	073-12082-001	073-12082-001	073-12082-001	073-12082-001
1	22	DECK, BLOWER (FRONT)	073-17498-000	073-17498-000	073-17498-000	073-17498-000
1	23	EXCHANGER, HEAT (ASS'Y)	373-17477-009	373-17477-010	373-17477-006	373-17477-006
1	24	MANIFOLD, GAS	029-22114-003	029-22114-004	029-22114-005	029-22114-005
1	25	PANEL, ACCESS (BURNERS)	073-17524-003	073-17524-003	073-17524-003	073-17524-003
1	26	PANEL, BASE	073-17504-003	073-17504-003	073-17504-003	073-17504-003
1	27	PANEL, FRONT (BLOWER)	073-17522-013	073-17522-013	073-17522-013	073-17522-013
1	28	PANEL, TOP	073-17493-000	073-17493-000	073-17493-000	073-17493-000
1	29	WRAPPER	373-17476-003	373-17476-003	373-17476-003	373-17476-003
1	30	CHANNEL, TOE PLATE	073-12062-003	073-12062-003	073-12062-003	073-12062-003
*	31	FILTER (26 x 20 x 1)	026-28048-003	026-28048-003	026-28048-003	026-28048-003
1	32	PLUG, WINDOW	025-30899-000	025-30899-000	025-30899-000	025-30899-000
*	33	RETAINER, FILTER	026-28040-000	026-28040-000	026-28040-000	026-28040-000
*	34	CLIP, SPRING (FILTER RETAINER)	021-16017-000	021-16017-000	021-16017-000	021-16017-000
1	35	BRACKET, ROLL-OUT SWITCH	073-12033-700	073-12033-700	073-12033-700	073-12033-700

MISC.

*	36	ORIFICE, BURNER (NATURAL #45)	029-21182-045	029-21182-045	029-21182-045	029-21182-045
1	37	PLATE, RESTRICTOR	073-17786-159	073-17787-172	073-17489-177	073-17489-184
1	38	COLLAR, FLUE	073-17507-000	073-17507-000	073-17507-000	073-17507-000
1	39	HANDLE, DOOR	029-22113-000	029-22113-000	029-22113-000	029-22113-000
*	40	GASKET, RESTRICTOR PLATE	028-13282-000	028-13283-000	028-13261-000	028-13261-000
*	41	TUBING, RUBBER	028-11957-000	028-11957-000	028-11957-000	028-11957-000
*	42	ISOLATOR, TUBE (3-REQ'D)	028-09412-001	028-09412-001	028-09412-001	028-09412-001
*	43	ISOLATOR, WASHER (3-REQ'D)	028-09412-002	028-09412-002	028-09412-002	028-09412-002
*	44	ISOLATOR, SLEEVE (3-REQ'D)	028-09412-003	028-09412-003	028-09412-003	028-09412-003
*	45	SPRING, DOOR	029-22119-000	029-22119-000	029-22119-000	029-22119-000
*	46	MOTOR MOUNT	026-31459-000	026-31459-000	026-31480-000	026-31459-000

NOTES: * NOT SHOWN
 MAJOR COMPONENTS AND SUGGESTED STOCKING ITEMS ARE SHOWN WITH SHADED ITEM NUMBER.
 NEW REPLACEMENT PARTS SHOWN IN **BOLD FACE** TYPE AT THE FIRST PRINTING OF PARTS LIST CODE DATED 1/98.
 *-< AT SIDE OF PAGE INDICATES CHANGE WAS MADE IN THAT ROW.
 *-< ACROSS FROM MODEL NUMBER INDICATES ENTIRE PUBLICATION IS NEW.

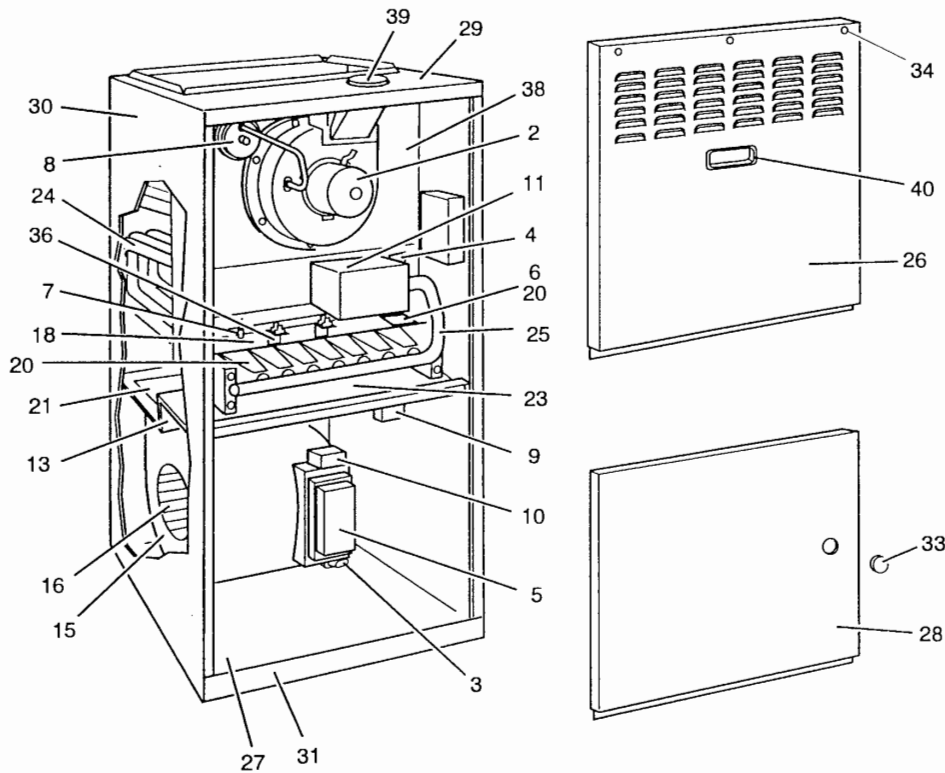


FIG. 2 – MULTI-POSITION NATURAL GAS FURNACES (80+)

MISC. (Cont.)

FIG	ITEM	DESCRIPTION	PCUHCLD20N080 (4 BURNERS)	PCUHCLD20N100 (5 BURNERS)	PCUHCLD16N115 (6 BURNERS)	PCUHCLD20N115 (6 BURNERS)
*	47	WIRING DIAGRAM	035-14241-000	035-14241-000	035-14241-000	035-14241-000
*	48	WIRING HARNESS	373-17837-002	373-17837-002	373-17837-003	373-17837-003
*	49	GASKET, VENTOR INLET	028-13292-000	028-13292-000	028-13292-000	028-13292-000
*	50	GASKET, VENTOR OUTLET	028-13293-000	028-13293-000	028-13293-000	028-13293-000

ADDITIONAL MODELS

MOTORS

FIG	ITEM	DESCRIPTION	PCUHCLD20N130 (7 BURNERS)
*	1	MOTOR, DIRECT DRIVE BLOWER	024-23238-001
2	2	MOTOR, VENTOR WWHEEL, HOUSING & GSKT.	024-27519-000

ELECTRICAL

2	3	CAPACITOR, RUN (15MFD/370V)	[RC]	024-20446-700
2	4	SWITCH, LIMIT		025-29041-005
2	5	CONTROL, FURNACE	[FC]	031-01266-000
2	6	IGNITION, HOT SURFACE		025-32625-000
2	7	SENSOR, FLAME		025-27773-700
2	8	SWITCH, AIR PRESSURE	[1LP]	024-25808-007
2	9	SWITCH, CONTROL (BLOWER DOOR)	[SW]	024-25811-000
2	10	TRANSFORMER		025-30889-000

NOTES: * NOT SHOWN

MAJOR COMPONENTS AND SUGGESTED STOCKING ITEMS ARE SHOWN WITH SHADED ITEM NUMBER.

NEW REPLACEMENT PARTS SHOWN IN **BOLD FACE** TYPE AT THE FIRST PRINTING OF PARTS LIST CODE DATED 1/98.

*-< AT SIDE OF PAGE INDICATES CHANGE WAS MADE IN THAT ROW.

*-< ACROSS FROM MODEL NUMBER INDICATES ENTIRE PUBLICATION IS NEW.

ELECTRICAL (Cont.)

FIG	ITEM	DESCRIPTION	PCUHDLD20N130
			(7 BURNERS)
2	11	VALVE, GAS	025-31996-000
*	12	SWITCH, FLAME ROLL-OUT - TOP [ROS3, 4]	025-27747-018
*	12A	SWITCH, FLAME ROLL-OUT - SIDE [ROS1, 2]	025-27792-009
2	13	CONTROL, AUXILIARY [LS2, LS3]	025-30321-700
*	14	FUSE (ATO-3)	025-32746-026 <

AIR MOVING

2	15	HOUSING, BLOWER	373-17829-001
2	16	WHEEL, BLOWER	026-30576-700
*	17	CUTOFF, BLOWER	063-78006-700

FABRICATED PARTS

2	18	SHIELD, SECONDARY AIR	073-17404-007
*	19	BAFFLE, FLUE	073-17775-005
2	20	BURNER, MAIN GAS	029-20482-000
*	21	BRACKET, IGNITOR	073-17403-000
2	22	DECK, BLOWER (REAR)	073-12083-001
2	23	DECK, BLOWER (FRONT)	073-17499-000
2	24	EXCHANGER, HEAT (ASS'Y)	373-17477-007
2	25	MANIFOLD, GAS	029-22114-006
2	26	PANEL, ACCESS (BURNERS)	073-17524-004
2	27	PANEL, BASE	073-17504-004
2	28	PANEL, FRONT (BLOWER)	073-17522-014
2	29	PANEL, TOP	073-17494-000
2	30	WRAPPER	373-17476-004
2	31	CHANNEL, TOE PLATE	073-12062-004
*	32	FILTER (26 x 24 x 1)	026-28048-004
2	33	PLUG, WINDOW	025-30899-000
2	34	RETAINER, FILTER	026-28040-000
2	35	CLIP, SPRING (FILTER RETAINER)	021-16017-000
2	36	BRACKET, FLAME ROLL-OUT SWITCH	073-12033-700

MISC.

*	37	ORIFICE, BURNER (NATURAL #45)	029-21182-045
2	38	PLATE, RESTRICTOR	073-17490-194
2	39	COLLAR, FLUE	073-17507-000
2	40	HANDLE, DOOR	029-22113-000
*	41	GASKET, RESTRICTOR PLATE	028-13262-000
*	42	TUBING, RUBBER	028-11957-000
*	43	ISOLATOR, TUBE	028-09412-001
*	44	ISOLATOR, WASHER	028-09412-002
*	45	ISOLATOR, SLEEVE	028-09412-003
*	46	SPRING, DOOR	029-22119-000
*	47	MOTOR MOUNT	026-31459-000
*	48	WIRING DIAGRAM	035-14241-000
*	49	WIRING HARNESS	373-17837-003
*	50	GASKET, VENTOR INLET	028-13292-000
*	51	GASKET, VENTOR OUTLET	028-13293-000

- NOTES: * NOT SHOWN
 MAJOR COMPONENTS AND SUGGESTED STOCKING ITEMS ARE SHOWN WITH SHADED ITEM NUMBER.
 NEW REPLACEMENT PARTS SHOWN IN **BOLD FACE** TYPE AT THE FIRST PRINTING OF PARTS LIST CODE DATED 1/98.
 "<" AT SIDE OF PAGE INDICATES CHANGE WAS MADE IN THAT ROW.
 "<" ACROSS FROM MODEL NUMBER INDICATES ENTIRE PUBLICATION IS NEW.

FIELD INSTALLED ACCESSORIES – Non-Electrical

MODEL NO.	DESCRIPTION	USED WITH
1NP0347	Propane (LP) Conversion Kit	All Models (Except PCUH/DF060/115 & 130 Models)
1NP0348	Propane (LP) Conversion Kit	PCUH060/115 & 130 Only
1PS0301	High Altitude Pressure Switch (Does Not Include Orifices)	PCUH See Chart Below
1PS0302		
1PS0311		
1PS0312		
1SR0302	External Side Filter Rack - With Filter (6-Pack)	PCUH All Models
1BR0305	Filter Rack, With High Velocity Filter For Horizontal Application <i>Or</i> External Access Upflow Bottom Return	PCUH 14-1/2" Cabinets
1BR0302		PCUH 17-1/2" Cabinets
1BR0303		PCUH 21" Cabinets
1BR0304		PCUH 24-1/2" Cabinets

PCUH STYLE "B" STANDARD AND LOW NOX UNITS ARE THE SAME AS PCUH STYLE "A" STANDARD AND LOW NOX UNITS EXCEPT FOR THE FOLLOWING PARTS:

DESCRIPTION	PCUHCLD20 (N or L) 080B	PCUHCLD20 (N or L) 100B	PCUHCLD20 (N or L) 115B
MOTOR, DIRECT DRIVE BLOWER	024-23238-001	024-23238-001	024-23238-001
CAPACITOR, RUN (15MFD/370V)	024-20446-700	024-20446-700	024-20446-700

PCUH "LOW NOX" UNITS ARE THE SAME AS PCUH "STANDARD" UNITS EXCEPT FOR THE FOLLOWING PARTS:

MODEL NO.	PLATE, RESTRICTOR	(QTY)	BURNER SCREEN	(QTY)
PCUHALD08L040	073-17777-109	(1)	073-11904-000	(2)
PCUHALD12L040	073-17777-109	(1)	073-11904-000	(2)
PCUHALD08L060	073-17777-150	(1)	073-11904-000	(3)
PCUHALD12L060	073-17777-150	(1)	073-11904-000	(3)
PCUHALD12L080	073-17487-172	(1)	073-11904-000	(4)
PCUHBLD16L080	073-17785-172	(1)	073-11904-000	(4)
PCUHCLD20L080	073-17786-172	(1)	073-11904-000	(4)
PCUHBLD12L100	073-17488-191	(1)	073-11904-000	(5)
PCUHBLD16L100	073-17488-191	(1)	073-11904-000	(5)
PCUHCLD20L100	073-17787-191	(1)	073-11904-000	(5)
PCUHCLD16L115	073-17489-213	(1)	073-11904-000	(6)
PCUHCLD20L115	073-17489-213	(1)	073-11904-000	(6)
PCUHDL20L130	073-17490-213	(1)	073-11904-000	(7)