

FIG. 1 - UPFLOW STANDING PILOT GAS FURNACES

SECTION	FIG	ITEM	DESCRIPTION	PDSU-LD20N105A (3 BURNERS)	PDSU-LD20N120A (3 BURNERS)	PDSU-LD20N160A (4 BURNERS)
MOTORS						
	1	18	DECK, BLOWER (FRONT)	063-93296-000	063-93296-000	063-93297-000
	*	19	DECK, BLOWER (REAR)	063-93169-000	063-93169-000	063-93261-000
	1	20	DECK, DRAFTHOOD	073-03020-003	073-03020-003	073-03020-004
	1	21	DRAFTHOOD	373-03046-002	373-03046-002	373-03046-005
	1	22	HEAT EXCHANGER (1)	373-03048-012	373-03048-003	373-03048-004
	1	23	MANIFOLD, GAS	029-19529-003	029-19529-003	029-19529-004
	1	24	PANEL, BASE	063-91848-003	063-91848-003	063-91848-004
	1	25	PANEL, FRONT (BLOWER)	063-93164-003	063-93164-003	063-93164-004
	1	26	PANEL, FRONT (BURNER)	063-70512-005	063-70512-005	063-70512-007
	1	27	PANEL, FRONT (DRAFTHOOD)	363-91841-003	363-91841-003	363-91841-004
	1	28	PANEL, VESTIBULE (1)	363-91825-002	363-91825-002	363-91825-003
	*	29	RESTRICTOR, FLUE (1)	073-03052-002	- - -	- - -
	*	30	SHIELD, HEAT	073-02283-002	073-02283-002	073-02283-003
	1	31	WRAPPER	363-85777-003	363-85777-003	363-85777-004
MISCELLANEOUS						
	*	32	BRACKET, MANIFOLD	063-55747-000	063-55747-000	063-55747-000
	*	33	BRACKET, PILOT	063-71201-000	063-71201-000	063-71201-000
	*	34	BURNER, PILOT	029-19057-000	029-19057-000	029-19057-000
	1	35	CLIP (FILTER RETAINER)	021-16017-000	021-16017-000	021-16017-000
	1	36	FILTER, AIR (1X20X26)	026-28048-003	026-28048-003	- - -
	1	36	FILTER, AIR (1X16X26)	- - -	- - -	026-28048-001
	1	36	FILTER, AIR (1X24X26)	- - -	- - -	026-28048-004
	*	37	GASKET, FAN LIMIT CONTROL	028-09413-000	028-09413-000	028-09413-000
	1	38	MOUNT (MOTOR, ARM)	026-24092-000	026-24092-000	026-24092-000
	1	39	MOUNT (MOTOR, BAND)	026-23780-000	026-23780-000	026-23780-000
	*	40	ORIFICE, BURNER (NATURAL) (NO. 33)	029-19507-000	- - -	- - -
	*	40	ORIFICE, BURNER (NATURAL) (NO. 31)	- - -	029-19505-000	029-19505-000
	1	41	RETAINER, FILTER	026-28040-000	026-28040-000	026-28040-000

\* NOT SHOWN

(1) WHEN REPLACING ONE OF THESE ITEMS, INSPECT RELATED ITEMS FOR REPLACEMENT.

# REPLACEMENT PARTS

## PDSU UPFLOW STANDING PILOT GAS FURNACES

Supersedes: 650.55-RP10W(391)

650.55-RP10W(691)

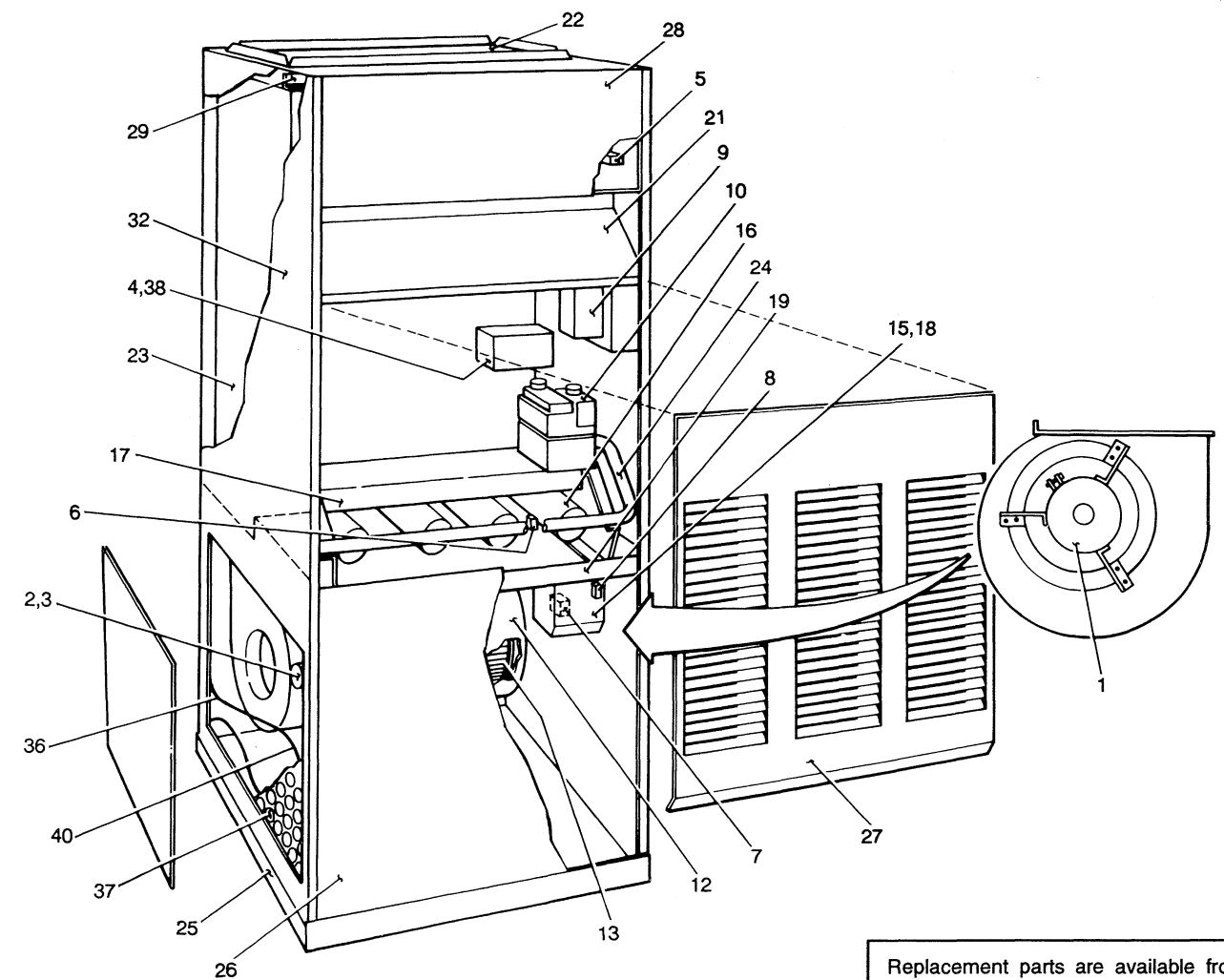


FIG. 1 - UPFLOW STANDING PILOT GAS FURNACES

SECTION	FIG	ITEM	DESCRIPTION	PDSU-LD06N040A (1 BURNER)	PDSU-LD08N065A (2 BURNERS)	PDSU-LD08N080A (2 BURNERS)	PDSU-LD10N040A (1 BURNER)
MOTORS							
	1	1	MOTOR, DIRECT DRIVE BLOWER	<b>024-25102-701</b>	<b>024-25107-701</b>	<b>024-25107-701</b>	<b>024-25109-701</b>
ELECTRICAL							
	1	2	BOOT, RUBBER	028-04133-000	028-04133-000	028-04133-000	028-04133-000
	1	3	CAPACITOR, RUN (5MFD/370V)	024-20043-000	024-20043-000	024-20043-000	- - -
	1	3	CAPACITOR, RUN (7.5MFD/370V)	- - -	- - -	- - -	024-20045-000
	1	4	CONTROL, FAN LIMIT	025-25909-000	025-25909-000	025-25908-000	025-25909-000
	1	5	CONTROL, TEMPERATURE (STACK)	025-27747-002	025-27747-003	025-27747-004	025-27747-002
	1	6	CONTROL, TEMPERATURE (ROLLOUT)	473-05382-000	025-27747-008	025-27747-007	473-05382-000
	1	7	RELAY, CONTROL	024-11772-000	024-11772-000	024-11772-000	024-11772-000
	1	8	SWITCH, CONTROL (ON/OFF)	024-20864-000	024-20864-000	024-20864-000	024-20864-000
	1	9	TRANSFORMER	025-21911-001	025-21911-001	025-21911-001	025-21911-001
	1	10	VALVE, GAS	025-25423-000	025-25423-000	025-25423-000	025-25423-000
	*	11	THERMOCOUPLE	025-22721-000	025-22721-000	025-22721-000	025-22721-000
AIR MOVING							
	1	12	HOUSING, BLOWER	363-78000-001	363-78000-002	363-78000-002	363-78000-002
	1	13	WHEEL, BLOWER	026-23845-000	026-19654-002	026-19654-002	026-19654-002
FABRICATED PARTS							
	*	14	BAFFLE (FAN & LIMIT CONTROL) (1)	073-03814-000	- - -	063-88395-000	073-03814-000
	1	15	BOX, ELECTRICAL	073-01217-000	073-01217-000	073-01217-000	073-01217-000
	1	16	BURNER, MAIN GAS (ASSEMBLY)	029-20405-001	029-20405-002	029-20405-002	029-20405-001
	1	17	COVER, BURNER	363-65640-001	363-65640-002	363-65640-002	363-65640-001
	1	18	COVER, ELEC. BOX	063-85852-000	063-85852-000	063-85852-000	063-85852-000

\* NOT SHOWN

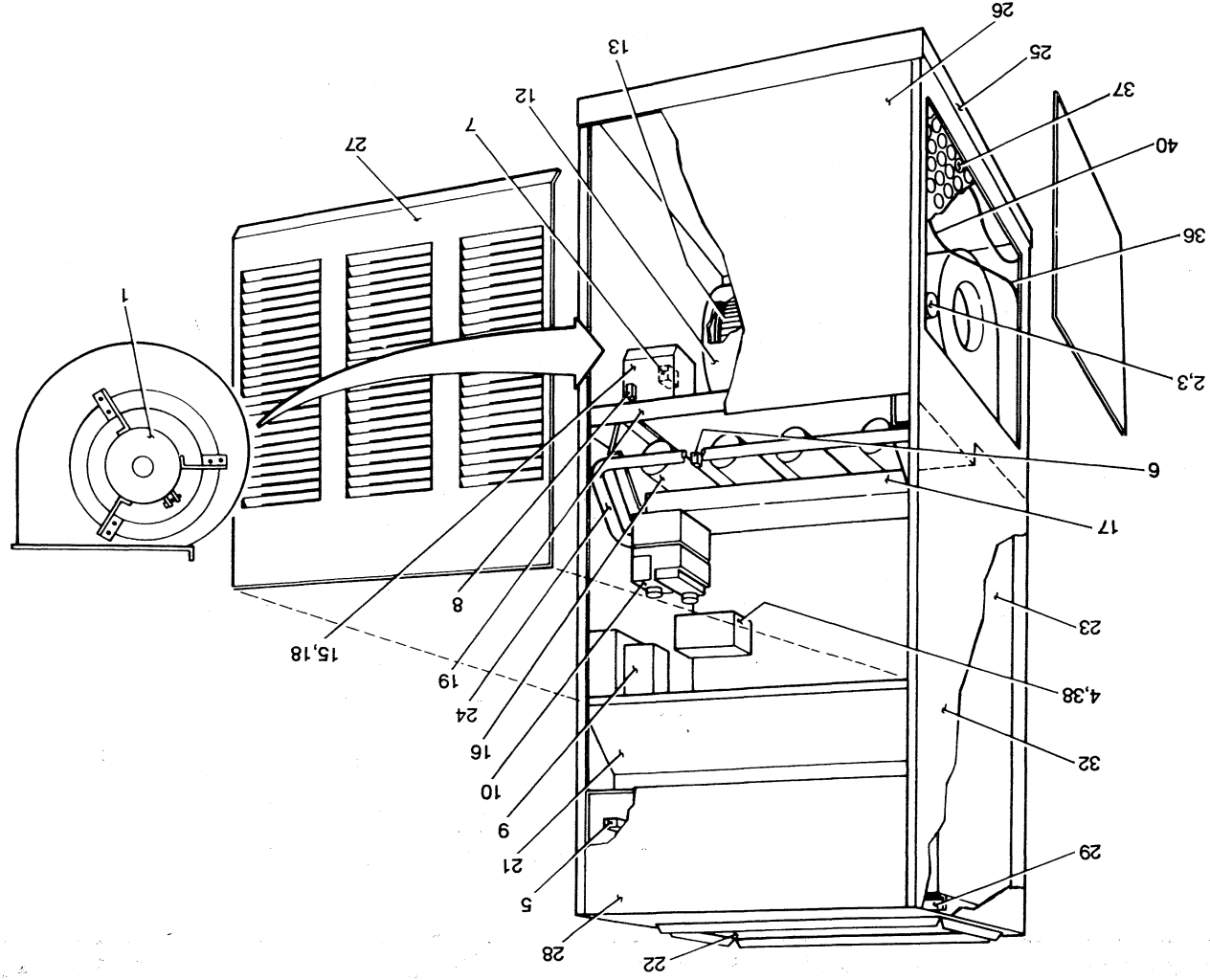
New replacement parts shown in **bold face** type at the first printing of Parts List code dated 6/91.

(1) WHEN REPLACING ONE OF THESE ITEMS, INSPECT RELATED ITEMS FOR REPLACEMENT.

Replacement parts are available from local UPG HVAC contractor / dealers or the nearest UPG Distribution Center.

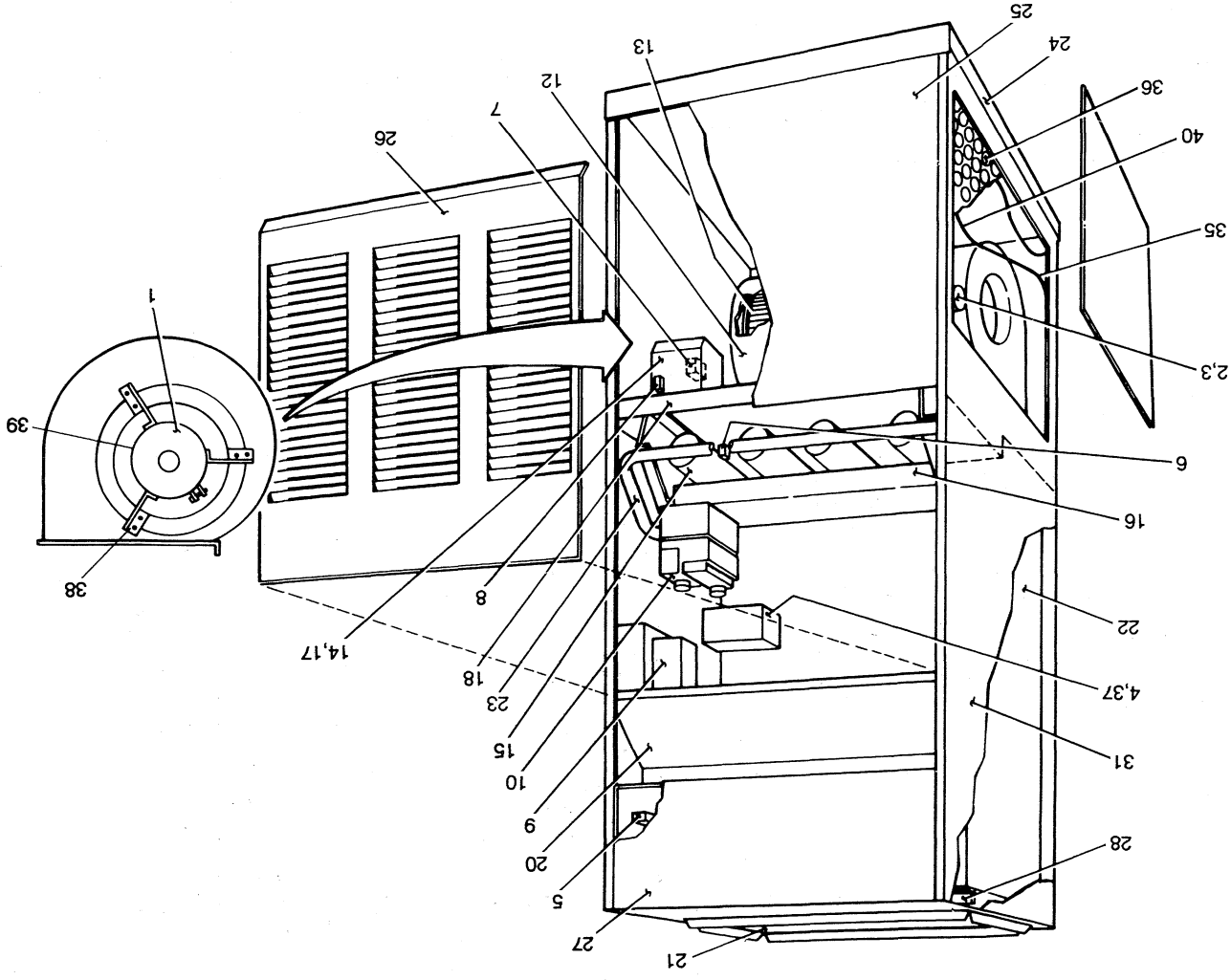
SECTION	FIG	ITEM	DESCRIPTION	PDSU-LD08N040A	PDSU-LD08N05A	PDSU-LD08N08A	PDSU-LD08N10A	PDSU-LD08N12A	PDSU-LD08N15A	PDSU-LD08N18A	PDSU-LD08N20A
FABRICATED	1	19	DECK, BLOWER (FRONT)	063-93294-000	063-93295-000	063-93296-000	063-93297-000	063-93298-000	063-93299-000	063-93300-000	063-93301-000
PARTS	*	20	DECK, BLOWER (REAR)	063-93320-000	063-93321-000	063-93322-000	063-93323-000	063-93324-000	063-93325-000	063-93326-000	063-93327-000
	1	21	DECK, DRAFTHOOD	073-03020-001	073-03020-002	073-03020-003	073-03020-004	073-03020-005	073-03020-006	073-03020-007	073-03020-008
	1	22	DRAFTHOOD	373-03046-001	373-03046-002	373-03046-003	373-03046-004	373-03046-005	373-03046-006	373-03046-007	373-03046-008
	1	23	HEAT EXCHANGER	373-03051-000	373-03051-001	373-03051-002	373-03051-003	373-03051-004	373-03051-005	373-03051-006	373-03051-007
	1	24	MANIFOLD, GAS	029-19529-001	029-19529-002	029-19529-003	029-19529-004	029-19529-005	029-19529-006	029-19529-007	029-19529-008
	1	25	PANEL, BASE	063-91848-001	063-91848-002	063-91848-003	063-91848-004	063-91848-005	063-91848-006	063-91848-007	063-91848-008
	1	26	PANEL, FRONT (BLOWER)	063-93164-001	063-93164-002	063-93164-003	063-93164-004	063-93164-005	063-93164-006	063-93164-007	063-93164-008
	1	27	PANEL, FRONT (BURNER)	063-70512-001	063-70512-002	063-70512-003	063-70512-004	063-70512-005	063-70512-006	063-70512-007	063-70512-008
	1	28	PANEL, FRONT (DRAFTHOOD)	363-91841-001	363-91841-002	363-91841-003	363-91841-004	363-91841-005	363-91841-006	363-91841-007	363-91841-008
	1	29	PANEL, VESTIBULE	373-00391-001	373-00391-002	373-00391-003	373-00391-004	373-00391-005	373-00391-006	373-00391-007	373-00391-008
	*	30	RESTRICTOR, FLUE	073-03052-005	073-03052-006	073-03052-007	073-03052-008	073-03052-009	073-03052-010	073-03052-011	073-03052-012
	*	31	SHIELD, HEAT	073-02283-001	073-02283-002	073-02283-003	073-02283-004	073-02283-005	073-02283-006	073-02283-007	073-02283-008
	1	32	WRAPPER	363-85777-001	363-85777-002	363-85777-003	363-85777-004	363-85777-005	363-85777-006	363-85777-007	363-85777-008
MISCELLANEOUS											
	*	33	BRACKET, MANIFOLD	063-55747-000	063-55747-001	063-55747-002	063-55747-003	063-55747-004	063-55747-005	063-55747-006	063-55747-007
	*	34	BRACKET, PILOT	063-71201-000	063-71201-001	063-71201-002	063-71201-003	063-71201-004	063-71201-005	063-71201-006	063-71201-007
	*	35	BURNER, PILOT	029-19057-000	029-19057-001	029-19057-002	029-19057-003	029-19057-004	029-19057-005	029-19057-006	029-19057-007
	1	36	CLIP (FILTER RETAINER)	021-16017-000	021-16017-001	021-16017-002	021-16017-003	021-16017-004	021-16017-005	021-16017-006	021-16017-007
	1	37	FILTER, AIR (1X16X26)	026-28048-001	026-28048-002	026-28048-003	026-28048-004	026-28048-005	026-28048-006	026-28048-007	026-28048-008
	1	38	GASKET, FAN LIMIT CONTROL	028-09413-000	028-09413-001	028-09413-002	028-09413-003	028-09413-004	028-09413-005	028-09413-006	028-09413-007
	*	39	ORIFICE, BURNER (NATURAL) (NO. 31)	029-19505-000	029-19505-001	029-19505-002	029-19505-003	029-19505-004	029-19505-005	029-19505-006	029-19505-007
	1	40	RETAINER, FILTER	026-28040-000	026-28040-001	026-28040-002	026-28040-003	026-28040-004	026-28040-005	026-28040-006	026-28040-007

FIG. 1 - UPFLOW STANDING PILOT GAS FURNACES



SECTION	FIG	ITEM	DESCRIPTION	PDSU-LD20N10A	PDSU-LD20N12A	PDSU-LD20N15A	PDSU-LD20N18A	PDSU-LD20N20A
MOTORS			(3 BURNERS)	025-25907-000	025-25907-001	025-25907-002	025-25907-003	025-25907-004
			(4 BURNERS)	024-23207-701	024-23211-701	024-23211-702	024-23211-703	024-23207-701
ELECTRICAL								
	1	2	BOOT, RUBBER	028-04133-000	028-04133-001	028-04133-002	028-04133-003	028-04133-004
	1	3	CAPACITOR, RUN (10MFD/370V)	024-20046-000	024-20046-001	024-20046-002	024-20046-003	024-20046-004
	1	3	CAPACITOR, RUN (15MFD/370V)	024-20446-000	024-20446-001	024-20446-002	024-20446-003	024-20446-004
	1	4	CONTROL, FAN LIMIT	025-25907-000	025-25907-001	025-25907-002	025-25907-003	025-25907-004
	1	5	CONTROL, TEMPERATURE (STACK)	025-27747-005	025-27747-006	025-27747-007	025-27747-008	025-27747-009
	1	6	CONTROL, TEMPERATURE (ROLLOUT)	025-27747-008	025-27747-009	025-27747-010	025-27747-011	025-27747-012
	1	7	RELAY, CONTROL	024-11772-000	024-11772-001	024-11772-002	024-11772-003	024-11772-004
	1	8	SWITCH, CONTROL (ON/OFF)	024-20864-000	024-20864-001	024-20864-002	024-20864-003	024-20864-004
	1	9	TRANSFORMER	025-21911-001	025-21911-002	025-21911-003	025-21911-004	025-21911-005
	1	10	VALVE, GAS	025-25423-000	025-25423-001	025-25423-002	025-25423-003	025-25423-004
	1	11	THERMOCOUPLE	025-22721-000	025-22721-001	025-22721-002	025-22721-003	025-22721-004
AIR MOVING								
	1	12	HOUSING, BLOWER	363-78007-000	363-78007-001	363-78007-002	363-78007-003	363-78007-004
FABRICATED								
	1	13	WHEEL, BLOWER	026-16381-132	026-16381-133	026-16381-134	026-16381-135	026-16381-136
PARTS								
	1	14	BOX, ELECTRICAL	073-01217-000	073-01217-001	073-01217-002	073-01217-003	073-01217-004
	1	15	BURNER, MAIN GAS	029-20405-003	029-20405-004	029-20405-005	029-20405-006	029-20405-007
	1	16	COVER, BURNER	363-65640-003	363-65640-004	363-65640-005	363-65640-006	363-65640-007
	1	17	COVER, ELEC. BOX	063-85852-000	063-85852-001	063-85852-002	063-85852-003	063-85852-004

FIG. 1 - UPFLOW STANDING PILOT GAS FURNACES



(1) WHEN REPLACING ONE OF THESE ITEMS, INSPECT RELATED ITEMS FOR REPLACEMENT.

\* NOT SHOWN

\* NOT SHOWN

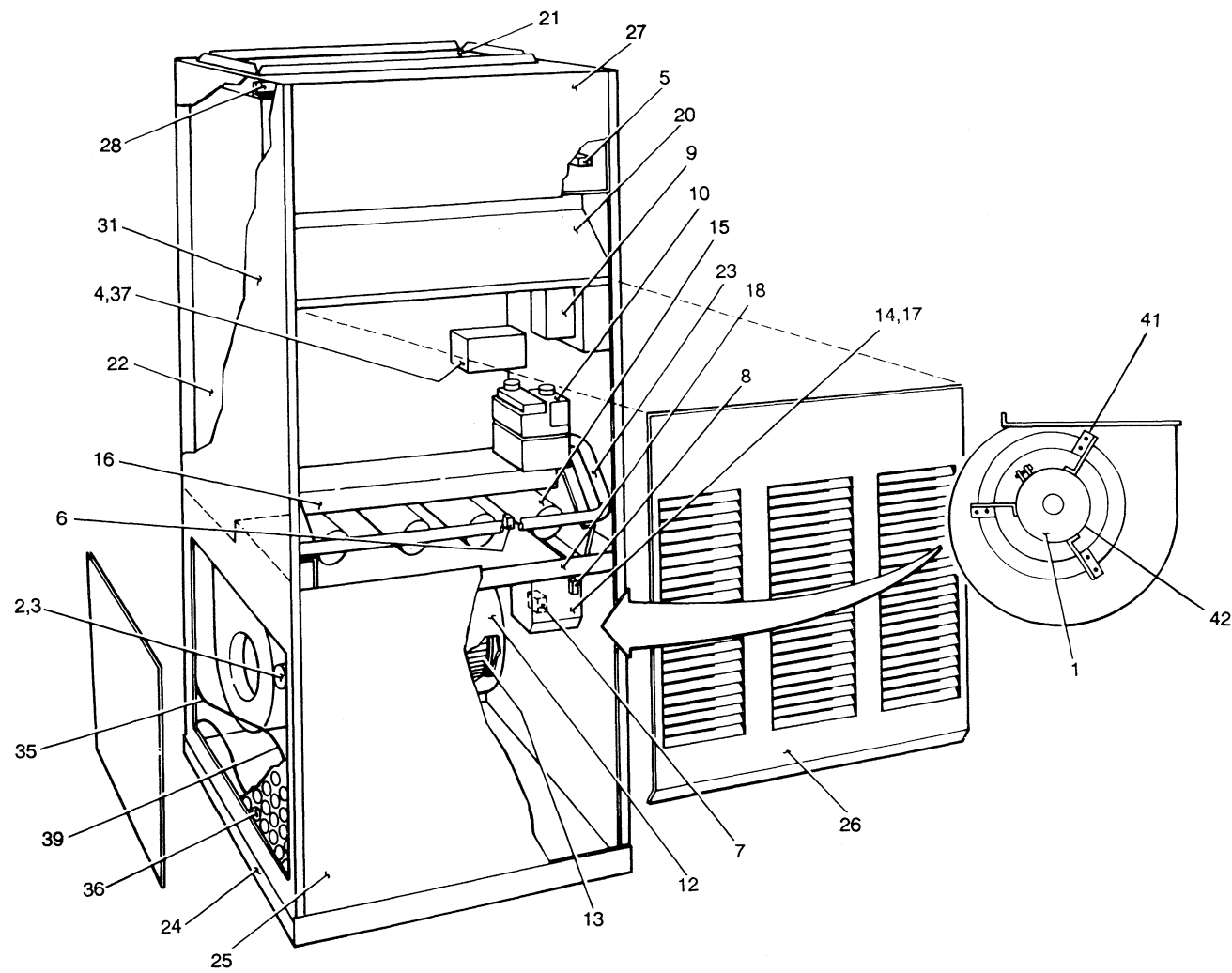


FIG. 1 - UPFLOW STANDING PILOT GAS FURNACES

SECTION	FIG	ITEM	DESCRIPTION	PDSU-LD16N090A (3 BURNERS)	PDSU-LD16N105A (3 BURNERS)	PDSU-LD16N120A (3 BURNERS)	PDSU-LD16N140A (4 BURNERS)
FABRICATED							
PARTS	1	18	DECK, BLOWER (FRONT)	063-93296-000	063-93296-000	063-93296-000	063-93297-000
	*	19	DECK, BLOWER (REAR)	063-93169-000	063-93169-000	063-93169-000	063-93261-000
	1	20	DECK, DRAFTHOOD	073-03020-003	073-03020-003	073-03020-003	073-03020-004
	1	21	DRAFTHOOD	373-03046-002	373-03046-002	373-03046-002	373-03046-004
	1	22	HEAT EXCHANGER (1)	373-03048-008	373-03048-012	373-03048-003	373-03048-009
	1	23	MANIFOLD, GAS	029-19529-003	029-19529-003	029-19529-003	029-19529-004
	1	24	PANEL, BASE	063-91848-003	063-91848-003	063-91848-003	063-91848-004
	1	25	PANEL, FRONT (BLOWER)	063-93164-003	063-93164-003	063-93164-003	063-93164-004
	1	26	PANEL, FRONT (BURNER)	063-70512-005	063-70512-005	063-70512-005	063-70512-007
	1	27	PANEL, FRONT (DRAFTHOOD)	363-91841-003	363-91841-003	363-91841-003	363-91841-004
	1	28	PANEL, VESTIBULE (1)	363-91825-002	363-91825-002	363-91825-002	363-91825-003
	*	29	RESTRICTOR, FLUE (1)	073-03052-002	073-03052-002	- - -	073-03052-003
	*	30	SHIELD, HEAT	073-02283-002	073-02283-002	073-02283-002	073-02283-003
	1	31	WRAPPER	363-85777-003	363-85777-003	363-85777-003	363-85777-004
MISCELLANEOUS							
	*	32	BRACKET, MANIFOLD	063-55747-000	063-55747-000	063-55747-000	063-55747-000
	*	33	BRACKET, PILOT	063-71201-000	063-71201-000	063-71201-000	063-71201-000
	*	34	BURNER, PILOT	029-19057-000	029-19057-000	029-19057-000	029-19057-000
	1	35	CLIP (FILTER RETAINER)	021-16017-000	021-16017-000	021-16017-000	021-16017-000
	1	36	FILTER, AIR (1X20X26)	026-28048-003	026-28048-003	026-28048-003	026-28048-004
	1	37	GASKET, FAN LIMIT CONTROL	028-09413-000	028-09413-000	028-09413-000	028-09413-000
	*	38	ORIFICE, BURNER (NATURAL) (NO. 36)	029-19509-000	- - -	- - -	- - -
	*	38	ORIFICE, BURNER (NATURAL) (NO. 33)	- - -	029-19507-000	- - -	029-19507-000
	*	38	ORIFICE, BURNER (NATURAL) (NO. 31)	- - -	- - -	029-19505-000	- - -
	1	40	RETAINER, FILTER	026-28040-000	026-28040-000	026-28040-000	026-28040-000
	1	41	MOUNT, MOTOR ARM	026-23777-000	026-23777-000	026-23777-000	026-23777-000
	1	42	MOUNT, MOTOR BAND	026-23780-000	026-23780-000	026-23780-000	026-23780-000

\* NOT SHOWN

(1) WHEN REPLACING ONE OF THESE ITEMS, INSPECT RELATED ITEMS FOR REPLACEMENT.

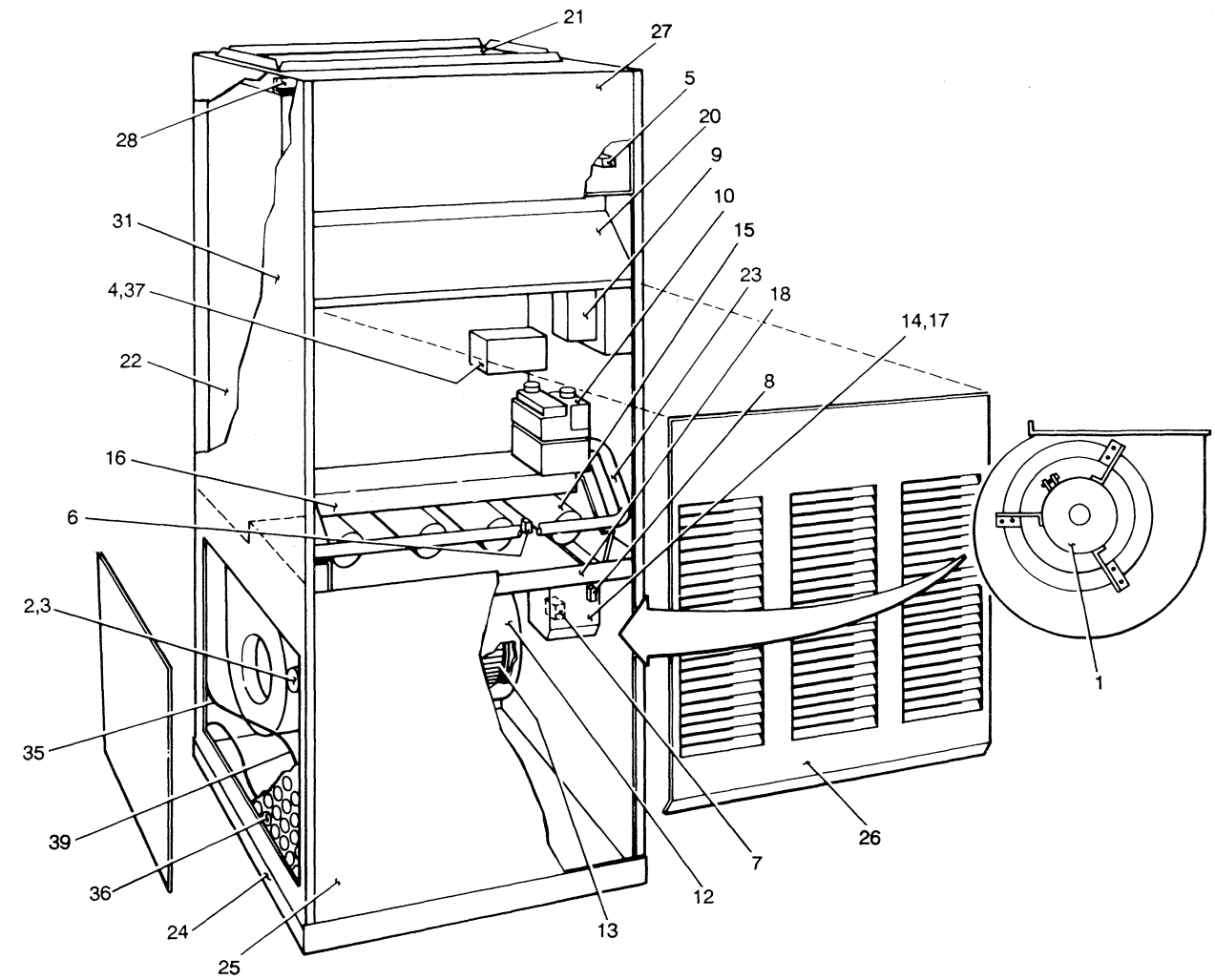


FIG. 1 - UPFLOW STANDING PILOT GAS FURNACES

SECTION	FIG	ITEM	DESCRIPTION	PDSU-LD12N065A (2 BURNERS)	PDSU-LD12N080A (2 BURNERS)	PDSU-LD12N090A (3 BURNERS)	PDSU-LD12N105A (3 BURNERS)
MOTORS							
	1	1	MOTOR, DIRECT DRIVE BLOWER	<b>024-25109-702</b>	<b>024-25109-702</b>	<b>024-25109-701</b>	<b>024-25109-701</b>
ELECTRICAL							
	1	2	BOOT, RUBBER	028-04133-000	028-04133-000	028-04133-000	028-04133-000
	1	3	CAPACITOR, RUN (5MFD/370V)	024-20043-000	- - -	- - -	- - -
	1	3	CAPACITOR, RUN (7.5MFD/370V)	- - -	024-20045-000	024-20045-000	024-20045-000
	1	4	CONTROL, FAN LIMIT	025-25908-000	025-25908-000	025-25907-000	025-25907-000
	1	5	CONTROL, TEMPERATURE (STACK)	025-27747-003	025-27747-004	025-27747-005	025-27747-005
	1	6	CONTROL, TEMPERATURE (ROLLOUT)	025-27747-008	025-27747-007	025-27747-008	025-27747-008
	1	7	RELAY, CONTROL	024-11772-000	024-11772-000	024-11772-000	024-11772-000
	1	8	SWITCH, CONTROL (ON/OFF)	024-20864-000	024-20864-000	024-20864-000	024-20864-000
	1	9	TRANSFORMER	025-21911-001	025-21911-001	025-21911-001	025-21911-001
	1	10	VALVE, GAS	025-25423-000	025-25423-000	025-25423-000	025-25423-000
	*	11	THERMOCOUPLE	025-22721-000	025-22721-000	025-22721-000	025-22721-000
AIR MOVING							
	1	12	HOUSING, BLOWER	363-78000-003	363-78000-003	363-78000-007	363-78000-007
	1	13	WHEEL, BLOWER	026-19654-007	026-19654-007	026-28065-000	026-28065-000
FABRICATED							
PARTS	1	14	BOX, ELECTRICAL	073-01217-000	073-01217-000	073-01217-000	073-01217-000
	1	15	BURNER, MAIN GAS (ASSEMBLY)	029-20405-002	029-20405-002	029-20405-003	029-20405-003
	1	16	COVER, BURNER	363-65640-002	363-65640-002	363-65640-003	363-65640-003
	1	17	COVER, ELEC. BOX	063-85852-000	063-85852-000	063-85852-000	063-85852-000

\* NOT SHOWN

New replacement parts shown in **bold face** type at the first printing of Parts List code dated 6/91.

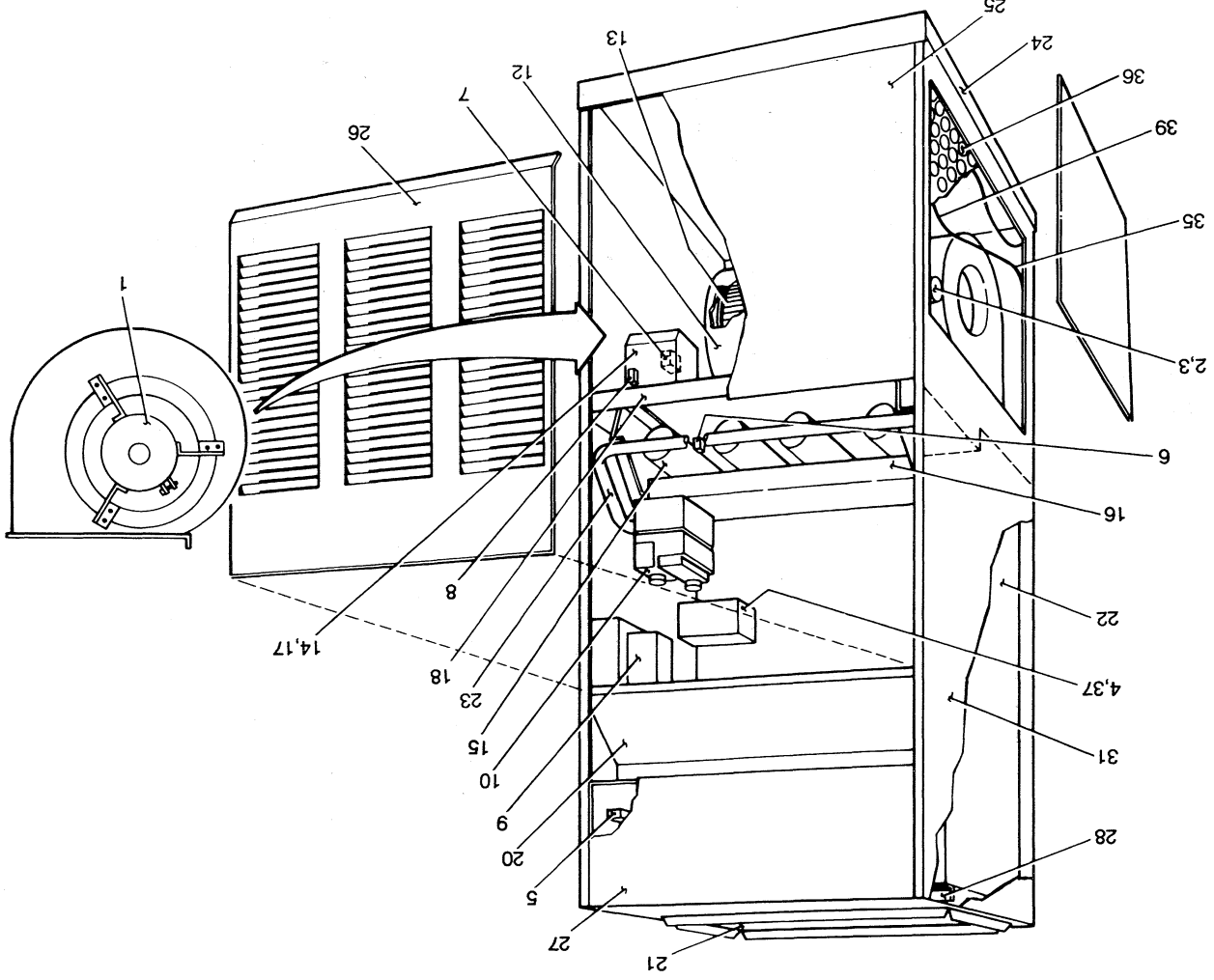


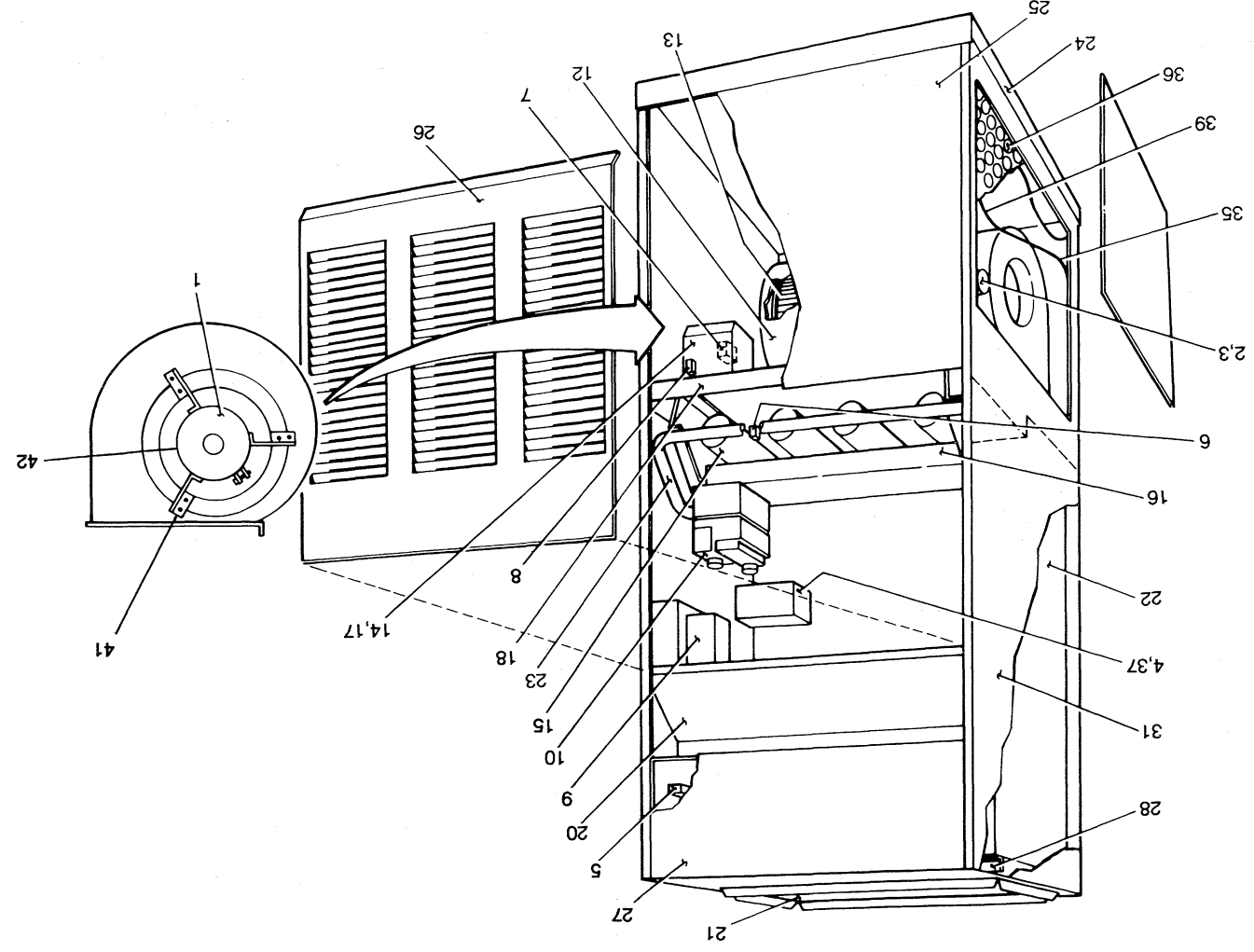
FIG. 1 - UPFLOW STANDING PILOT GAS FURNACES

SECTION	FIG	ITEM	DESCRIPTION	PSU-LD12N05A	PSU-LD12N08A	PSU-LD12N09A	PSU-LD16N10A
PARTS	1	18	DECK, BLOWER (FRONT)	063-93295-000	063-93295-000	063-93296-000	063-93296-000
	*	19	DECK, BLOWER (REAR)	063-93262-000	063-93169-000	063-93169-000	063-93169-000
	1	20	DECK, DRAFTHOOD	073-03020-002	073-03020-002	073-03020-003	073-03020-003
	1	21	DRAFTHOOD	373-03046-003	373-03046-003	373-03046-002	373-03046-002
	1	22	HEAT EXCHANGER	373-03048-007	373-03048-002	373-03048-008	373-03048-012
	1	23	MANIFOLD, GAS	029-19529-002	029-19529-002	029-19529-003	029-19529-003
	1	24	PANEL, BASE	063-91848-002	063-91848-002	063-91848-003	063-91848-003
	1	25	PANEL, FRONT (BLOWER)	063-93164-002	063-93164-002	063-93164-003	063-93164-003
	1	26	PANEL, FRONT (BURNER)	063-70512-003	063-70512-003	063-70512-005	063-70512-005
	1	27	PANEL, FRONT (DRAFTHOOD)	363-91841-002	363-91841-002	363-91841-003	363-91841-003
	1	28	PANEL, VESTIBULE	363-91825-001	363-91825-001	363-91825-002	363-91825-002
	1	29	RESTRICTOR, FLUE	073-03052-005	073-03052-002	073-03052-002	073-03052-002
MISCELLANEOUS	*	30	SHIELD, HEAT	073-02283-001	073-02283-001	073-02283-002	073-02283-002
	1	31	WRAPPER	363-85777-002	363-85777-002	363-85777-003	363-85777-003
	*	32	BRACKET, MANIFOLD	063-55747-000	063-55747-000	063-55747-000	063-55747-000
	*	33	BRACKET, PILOT	063-71201-000	063-71201-000	063-71201-000	063-71201-000
	*	34	BURNER, PILOT	029-19057-000	029-19057-000	029-19057-000	029-19057-000
	1	35	CLIP (FILTER RETAINER)	021-16017-000	021-16017-000	021-16017-000	021-16017-000
	1	36	FILTER, AIR (1X16X26)	026-28048-001	026-28048-001	026-28048-003	026-28048-003
	1	37	GASKET, FAN LIMIT CONTROL	028-09413-000	028-09413-000	028-09413-000	028-09413-000
	*	38	ORIFICE, BURNER (NATURAL) (NO. 35)	029-19508-000	029-19508-000	029-19508-000	029-19508-000
	*	38	ORIFICE, BURNER (NATURAL) (NO. 31)	029-19505-000	029-19505-000	029-19505-000	029-19505-000
	*	38	ORIFICE, BURNER (NATURAL) (NO. 36)	029-19509-000	029-19509-000	029-19509-000	029-19509-000
	*	38	ORIFICE, BURNER (NATURAL) (NO. 33)	029-19507-000	029-19507-000	029-19507-000	029-19507-000
	1	39	RETAINER, FILTER	026-28040-000	026-28040-000	026-28040-000	026-28040-000

\* NOT SHOWN

(1) WHEN REPLACING ONE OF THESE ITEMS, INSPECT RELATED ITEMS FOR REPLACEMENT.

FIG. 1 - UPFLOW STANDING PILOT GAS FURNACES



\* NOT SHOWN  
New replacement parts shown in **bold face** type at the first printing of  
Parts List code dated 6/91.

(2) ITEMS # 41 & 42 MUST BE USED WITH THIS NEW MOTOR.

SECTION	FIG	ITEM	DESCRIPTION	PSU-LD16N09A	PSU-LD16N10A	PSU-LD16N12A	PSU-LD16N14A
MOTORS			(3 BURNERS)	024-25114-700	024-25114-700	024-25114-700	024-25114-700
			(4 BURNERS)	024-25114-700	024-25114-700	024-25114-700	024-25114-700
ELECTRICAL	1	1	MOTOR, DIRECT DRIVE BLOWER	028-04133-000	028-04133-000	028-04133-000	028-04133-000
				028-04133-000	028-04133-000	028-04133-000	028-04133-000
	1	2	BOOT, RUBBER	028-04133-000	028-04133-000	028-04133-000	028-04133-000
	1	3	CAPACITOR, RUN (7.5MFD/370V)	024-20045-000	024-20045-000	024-20045-000	024-20045-000
	1	4	CONTROL, FAN LIMIT	025-25907-000	025-25907-000	025-25907-000	025-25907-000
	1	5	CONTROL, TEMPERATURE (STACK)	025-27747-005	025-27747-005	025-27747-006	025-27747-006
	1	6	CONTROL, TEMPERATURE (ROLLOUT)	025-27747-008	025-27747-008	025-27747-008	025-27747-008
	1	7	RELAY, CONTROL	024-11772-000	024-11772-000	024-11772-000	024-11772-000
	1	8	SWITCH, CONTROL (ON/OFF)	024-20864-000	024-20864-000	024-20864-000	024-20864-000
	1	9	TRANSFORMER	025-21911-001	025-21911-001	025-21911-001	025-21911-001
	1	10	VALVE, GAS	025-25423-000	025-25423-000	025-25423-000	025-25423-000
	1	11	THERMOCOUPLE	025-22721-000	025-22721-000	025-22721-000	025-22721-000
AIR MOVING							
	1	12	HOUSING, BLOWER	363-78000-005	363-78000-005	363-78000-005	363-78000-005
	1	13	WHEEL, BLOWER	026-16381-119	026-16381-119	026-16381-119	026-16381-119
FABRICATED							
	1	14	BOX, ELECTRICAL	073-01217-000	073-01217-000	073-01217-000	073-01217-000
	1	15	BURNER, MAIN GAS	029-20405-003	029-20405-003	029-20405-003	029-20405-004
	1	16	COVER, BURNER	363-65640-003	363-65640-003	363-65640-003	363-65640-004
	1	17	COVER, ELEC. BOX	063-85852-000	063-85852-000	063-85852-000	063-85852-000

\* NOT SHOWN