



www.Source1Parts.com

HVAC SERVICE PARTS

FG8 SERIES CLAM TUBE MULTI-POSITION GAS FURNACE

Supercedes:035-15828-001 Rev. F (0403)

035-15828-001 Rev. G (0703)

1 of 4

MODELS

FG8B05012MU11A

FG8B07512MU11A

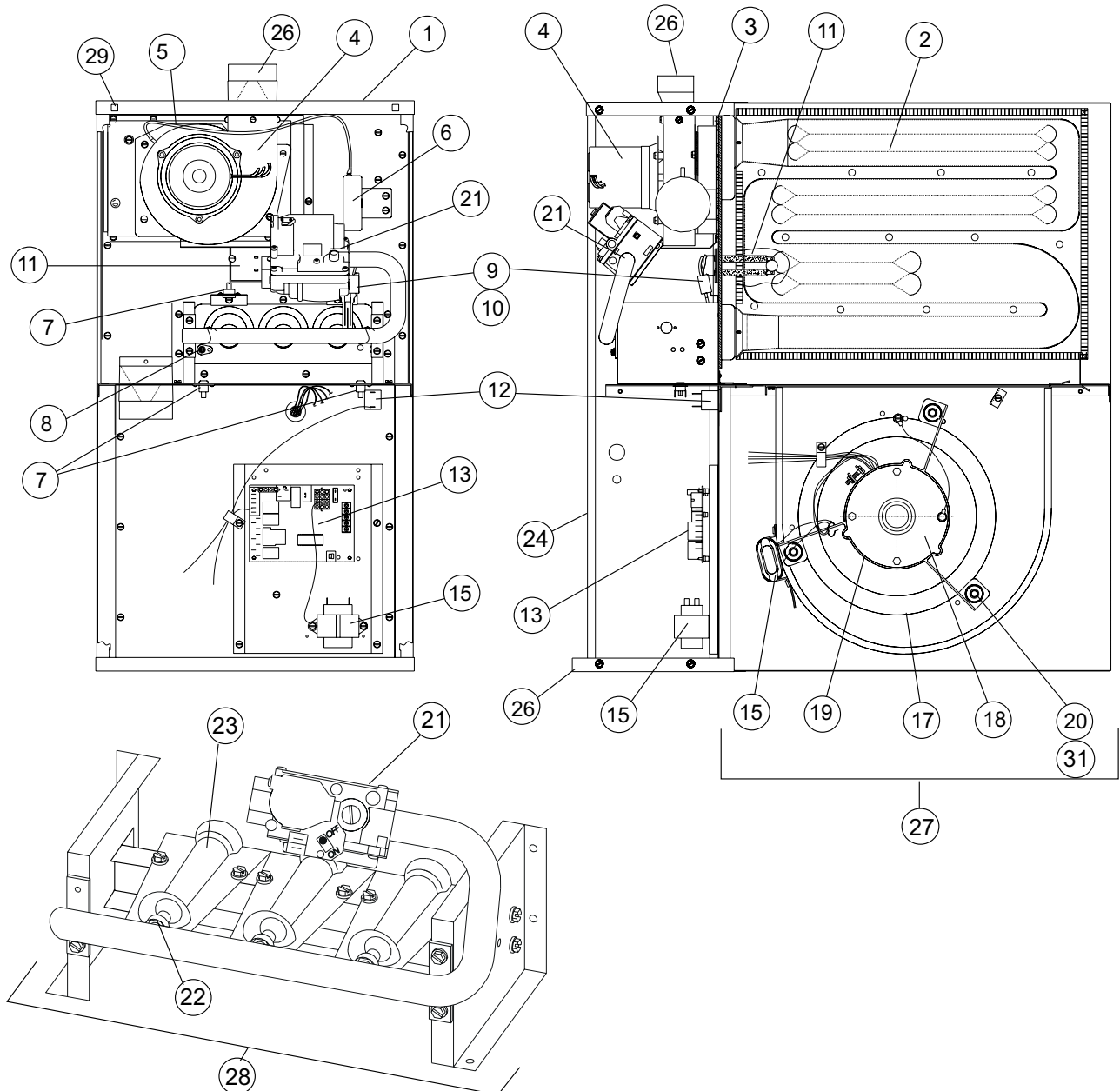
FG8C07516MU11A

FG8C10016MU11A

FG8D10020MU11A

FG8D12520MU11A

FG8D15020UH11A (UPFLOW & HORIZONTAL ONLY)



Models 50, 7512, 7516, 10016

ITEM	DESCRIPTION	FG8B05012MU11A	FG8B07512MU11A	FG8C07516MU11A	FG8C10016MU11A
		2 BURNER	3 BURNER	3 BURNER	4 BURNER
1	Casing, Top Cap	2802-1751	2802-1751	2804-1751	2804-1751
2	Heat Exchanger Assembly	2702-5031/A	2703-5031/A	2703-5031/A	2704-5031/A
3	Gasket, Vent Blower	2802-3051	2802-3051	2802-3051	2802-3051
4	Blower, Vent	2702-321P	2702-321P	2702-321P	2702-321P
5	Tube, Pressure	6302-4061	6302-4061	2702-4061	2702-4061
6	Switch, Pressure	024-27576-000	024-27576-000	024-27576-000	024-27577-000
7	Switch, Roll Out (3 Req'd)	2702-3191	2702-3191	2702-3191	2702-3191
8	Rod, Sensor	2702-311P	2702-311P	2702-311P	2702-311P
9	Ignitor	025-32625-000	025-32625-000	025-32625-000	025-32625-000
10	Bracket, Ignitor	2702-1311	2702-1311	2702-1311	2702-1311
11	Switch, Limit (Open 140 Deg.)	---	2702-314P/A	---	2702-314P/A
	Switch, Limit (Open 155 Deg.)	2702-315P/A	---	---	---
	Switch, Limit (Open 175 Deg.)	---	---	---	---
	Switch, Limit (Open 180 Deg.)	---	---	2702-338P/A	---
12	Switch, Door	024-27640-000	024-27640-000	024-27640-000	024-27640-000
13	Control, Integrated	031-01933-000	031-01933-000	031-01933-000	031-01933-000
14*	Harness, Wire	2802-4711	2802-4711	2804-4711	2804-4711
15	Transformer (40VA)	2940A3541	2940A3541	2940A3541	2940A3541
16	Capacitor (7.5MFD, 370V)	024-20045-000	024-20045-000	---	---
	Capacitor (10MFD, 370V)	---	---	024-20046-000	024-20046-000
17	Wheel, Blower	026-19654-003	026-19654-003	026-23232-004	026-23232-004
18	Motor, Blower	024-25110-000	024-25110-000	024-32082-000	024-32082-000
19	Mount, 1PC. Motor	073-19831-001	073-19831-001	073-19831-001	073-19831-001
20	Motor Mounts, Rubber (3 Req'd)	028-14740-000	028-14740-000	028-14740-000	028-14740-000
21	Valve, Gas	025-37426-000	025-37426-000	025-37426-000	025-37426-000
22	Orifice, Gas (Natural-0-2,000 Ft.)	029-21182-042	029-21182-042	029-21182-042	029-21182-042
	Orifice, Gas (LP-0-2,000 Ft.)	029-21182-054	029-21182-054	029-21182-054	029-21182-054
	Orifice, Gas (Natural-High Altitude-2,000-5,000 Ft.)	029-21182-043	029-21182-043	029-21182-043	029-21182-043
	Orifice, Gas (Natural-High Altitude-5,000-7,000 Ft.)	029-21182-044	029-21182-044	029-21182-044	029-21182-044
	Orifice, Gas (LP-High Altitude-2,000-7,000 Ft.)	029-21182-055	029-21182-055	029-21182-055	029-21182-055
23	Burner	2702-308P	2702-308P	2702-308P	2702-308P
24	Panel, Door	2802-1791	2802-1791	2804-1791	2804-1791
25	Casing, Bottom Cap	2802-1741	2802-1741	2804-1741	2804-1741
26	Transition, 3"	2802-306	2802-306	2802-306	2802-306
27	Blower Assembly	373-22099-039	373-22099-039	373-22099-041	373-22099-041
28	Burner Assembly	2802-5201	2803-5201	2803-5201	2804-5201
29	Clip, Door Latch (2 per pkg.)	3612-3531	3612-3531	3612-3531	3612-3531
30*	Diagram, Wiring	1952-580	1952-580	1952-580	1952-580
31	Spacer (Ferrule)	023-20541-000	023-20541-000	023-20541-000	023-20541-000

NOTE: *Not Shown

New replacement parts shown in **bold** face type at the first printing of parts list dated 7/03

Major components and suggested stocking items are shown with shaded item number.

"<" Across from row indicates a change in that row.

--- Not applicable to specified model.

All parts with three digit suffix numbers are "Special Order" parts. These parts are subject to factory availability and require extra time for delivery.

Models 10020, 125, 150

ITEM	DESCRIPTION	FG8D10020MU11A	FG8D12520MU11A	FG8D15020UH11A
		4 BURNER	5 BURNER	6 BURNER
1	Casing, Top Cap	2805-1751	2805-1751	2805-1771
2	Heat Exchanger Assembly	2704-5031/A	2805-5031	2706-5031/A
3	Gasket, Vent Blower	2802-3051	2802-3051	2702-3051
4	Blower, Vent	2702-321P	2702-321P	2702-321P
5	Tube, Pressure	2702-4061	2702-4061	6302-4061
6	Switch, Pressure	024-27577-000	024-27577-000	024-27577-000
7	Switch, Roll Out (3 Req'd)	2702-3191	2702-3191	2702-3191
8	Rod, Sensor	2702-311P	2702-311P	2702-311P
9	Ignitor	025-32625-000	025-32625-000	025-32625-000
10	Bracket, Ignitor	2702-1311	2702-1311	2702-1311
11	Switch, Limit (Open 175 deg.)	2702-316P/A	2702-316P/A	2702-316P/A
12	Switch, Door	024-27640-000	024-27640-000	024-27640-000
13	Control, Integrated	031-01933-000	031-01933-000	031-01933-000
14*	Harness, Wire	2805-4711	2805-4711	2806-4711
15	Transformer (40VA)	2940-3541	2940-3541	2940-3541
16	Capacitor (10MFD,370V)	1499-4491	1499-4491	1499-4491
17	Wheel, Blower #See Notes Below	1472-2851 1472-2861	1472-2851 1472-2861	1472-2851 1472-2861
18	Motor, Blower	1468-245P	1468-245P	1468-245P
19	Mount, Motor	2705-4181	2705-4181	2705-4181
20	Motor Mounts, Rubber (3 per pkg.)	7670-3551	7670-3551	7670-3551
21	Valve, Gas	025-37426-000	025-37426-000	025-37426-000
22	Orifice, Gas (Natural-0-2,000 Ft.)	029-21182-042	029-21182-042	029-21182-042
	Orifice, Gas (LP-0-2,000 Ft.)	029-21182-054	029-21182-054	029-21182-054
	Orifice, Gas (Natural-High Altitude-2,000-5,000 Ft.)	029-21182-043	029-21182-043	029-21182-043
	Orifice, Gas (Natural-High Altitude-5,000-7,000 Ft.)	029-21182-044	029-21182-044	029-21182-044
	Orifice, Gas (LP-High Altitude-2,000-7,000 Ft.)	029-21182-055	029-21182-055	029-21182-055
23	Burner	2702-308P	2702-308P	2702-308P
24	Panel, Door	2805-1791	2805-1791	2805-1791
25	Casing, Bottom Cap	2805-1741	2805-1741	2805-1741
26	Transition, 3" Transition, 4"	2802-306 ---	2802-306 ---	--- 2703-3061/A
27	Blower Assembly (See Note 8)	2705-690	2705-690	2705-690
28	Burner Assembly	2804-5201	2805-5201	2806-5201
29	Clip, Door Latch (2 per pkg.)	3612-3531	3612-3531	3612-3531
30*	Diagram, Wiring	1952-580	1952-580	1952-580
31	Spacer (Ferrule) (3 Req'd)	---	---	---

NOTE: *Not ShownNew replacement parts shown in **bold** face type at the first printing of parts list dated 7/03.Major components and suggested stocking items are shown with shaded item number.

"←" Across from row indicates a change in that row.

--- Not applicable to specified model.

Both Blower Wheels are used on these Models.

All parts with three digit suffix numbers are "Special Order" parts. These parts are subject to factory availability and require extra time for delivery.

8 For complete blower replacement see table on page 4.

Field Installed Accessories-Non-Electrical		
Part Number	Description	Used With
1FB0318	Combustible Floor Sub-Base	50, 7512
1FB0319		7516,10016
1FB0320		10020,125
1BR0312	Bottom Filter Rack	50,7512
1BR0316		7516,10016
1BR0320		10020,125,150
1NP0366	Conversion Kit-Natural Gas to LP Gas	All
1NP0367	Conversion Kit- Natural Gas to LP Gas- High Altitude	
2802-321P	Vent Pipe Extension	

Field Installed Accessories-Electrical		
Part Number	Description	Used With
2TC03700124	Twinning Control	All
6TH13701024	Thermostat:One-stage heat, no fan switch	
6TH07700124	Thermostat:One-stage heat and one-stage cool. Manual changeover.	

<p>For 5 Ton Blower Assembly Replacement use Part Number 373-22099-042. Listed below are Components that are different from the Older Blower Assembly (2705-690 as listed on page 3). Note: Motor and Capacitor must be matched (old motor to old capacitor or new motor to new capacitor).</p>		
Item	Description	Part Number
16	Capacitor (15MFD, 370V)	024-20446-000
18	Motor, Blower	024-34491-000
31	Hanger, Motor	7670-254

TO ORDER AUTHORIZED FACTORY REPLACEMENT PARTS - Contact your Source1 HVAC Parts Distributor or visit our website at www.Source1Parts.com for a Distributor and Dealer listing.