

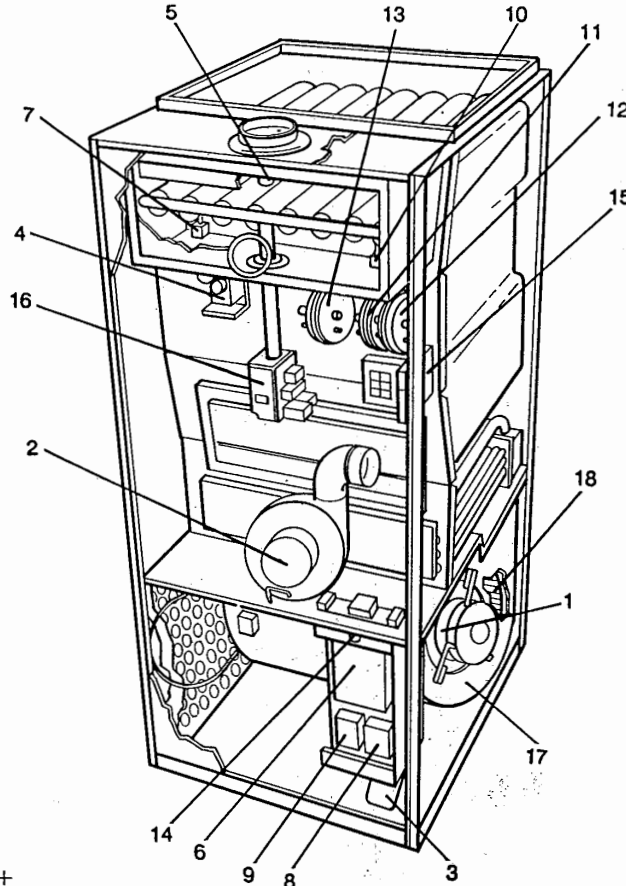
RENEWAL PARTS

PBNU *WUN*
(STYLES "A" -"D")
UPFLOW PROPANE GAS FURNACES 90 +

Supersedes: 650.65-RP2W (192)

650.65-RP2W(1092)

1 of 8



1 - UPFLOW PROPANE GAS FURNACES 90 +

Replacement parts are available from local CES NHAW contractor / dealers or the nearest CES distribution center.

SECTION	FIG	ITEM	DESCRIPTION	PBNU-LD06P040A-D (2 BURNERS)	PBNU-LD10P060A-D (3 BURNERS)	PBNU-LD12P080A-D (4 BURNERS)	PBNU-LD12P100A-D (5 BURNERS)
MOTORS							
	1	1	MOTOR, DIRECT DRIVE BLOWER	024-25101-701	024-25103-702	- - -	- - -
	1	1	MOTOR, DIRECT DRIVE BLOWER (8)	- - -	- - -	024-23271-000	024-25112-700
	1	2	MOTOR, VENTER BLOWER (6)	024-25008-000	024-25007-000	024-25007-000	024-25007-000
ELECTRICAL							
	1	3	CAPACITOR, RUNNING (5MFD/370V) (RC)	024-20043-000	- - -	- - -	- - -
	1	3	CAPACITOR, RUNNING (7.5MFD/370V) (RC)	- - -	024-20045-000	024-20045-000	024-20045-000
	1	4	CONTROL, FAN LIMIT (7)	025-28709-002	025-28709-009	025-28709-008	025-28709-010
	*	4A	WIRE F/L 90+ (7)	373-03833-001	373-03833-001	373-03833-001	373-03833-001
	1	5	CONTROL, FLAME ROLL-OUT	025-26908-000	025-26908-000	025-26908-000	025-26908-000
	1	6	CONTROL, MODULE (IGNITION)	025-25436-000	025-25436-000	025-25436-000	025-25436-000
	1	7	IGNITION (HOT SURFACE)	473-05154-000	473-05154-000	473-05154-000	473-05154-000
	1	8	RELAY, CONTROL (BLOWER) (1R)	024-11772-000	024-11772-000	024-11772-000	024-11772-000
	1	9	RELAY, CONTROL (DRAFT) (3R)	024-23237-000	024-23237-000	024-23237-000	024-23237-000
	1	10	SENSOR, FLAME	025-25434-000	025-25434-000	025-25434-000	025-25434-000
	1	11	SWITCH, AIR PRESSURE (1LP)	024-25006-006	024-25006-006	024-25006-007	024-25006-005
	1	12	SWITCH, AIR PRESSURE (2LP)	- - -	024-23285-000	- - -	- - -
	1	12	SWITCH, AIR PRESSURE (3LP)	- - -	- - -	024-25006-008	024-25006-008
	1	13	SWITCH, AIR PRESSURE (4LP)	- - -	- - -	024-25006-009	024-25006-001
	1	14	SWITCH, CONTROL (DOOR) (SW)	024-20864-000	024-20864-000	024-20864-000	024-20864-000
	1	15	TRANSFORMER	025-21911-001	025-21911-001	025-21911-001	025-21911-001
	1	16	VALVE, GAS	025-27769-000	025-27769-000	025-27769-000	025-27769-000
AIR MOVING							
	1	17	HOUSING, BLOWER	363-78000-001	363-78000-003	363-93200-000	363-78000-004
	1	18	WHEEL, BLOWER	026-23845-000	026-19654-007	026-19654-009	026-19654-003
FABRICATED							
PARTS	*	19	BAFFLE, AIR (LH RECOUP. COIL)	363-93219-002	363-93159-002	363-93159-002	363-93159-002
	*	20	BAFFLE, AIR (RH RECOUP. COIL)	363-93219-001	363-93159-001	363-93159-001	363-93159-001

SHOWN

(6) ORDER COMBUSTION BLOWER GASKET WHEN REPLACING BLOWER.

(7) WHEN ORDERING ITEM # 4 (CONTROL, FAN LIMIT) ITEM # 4A (WIRE, F/L 90+) MAY BE REQ'D.

(8) ITEMS #88 & 89 MUST BE USED WITH THIS NEW MOTOR.

SECTION	FIG	ITEM	DESCRIPTION	PBNU-LD06P040A-D (2 BURNERS)	PBNU-LD10P060A-D (3 BURNERS)	PBNU-LD12P080A-D (4 BURNERS)	PBNU-LD12P100A-D (5 BURNERS)
FABRICATED							
PARTS	2	44	PANEL, FRONT(BURNER)(STYLES "A-"C")	063-93241-731	063-93241-732	063-93241-732	063-93241-733
	2	44	PANEL, FRONT(BURNER)(STYLE "D")	063-93241-011	063-93241-012	063-93241-012	063-93241-013
	2	45	PANEL, TOP	063-93272-001	063-93272-002	063-93272-002	063-93272-003
	*	46	SUPPORT, BURNER	063-93244-004	063-93244-005	063-93244-001	063-93244-006
	2	47	WRAPPER	363-93274-001	363-93274-002	363-93274-002	363-93274-003
	*	48	PANEL, VESTIBULE	363-93257-001	363-93257-002	363-93257-008	363-93257-004
MISCELLANEOUS							
	*	49	SPRING, BURNER	029-20412-000	029-20412-000	029-20412-000	029-20412-000
	*	50	CLIP, FILTER RETAINER	021-16017-000	021-16017-000	021-16017-000	021-16017-000
	2	51	CONNECTOR, AIR INTAKE (BURNER BOX)	028-11289-000	028-11289-000	028-11289-000	028-11290-000
	2	52	CONNECTOR, CONDENSATE ELBOW	028-11617-000	- - -	- - -	- - -
	2	53	CONNECTOR, PRESSURE	028-11299-000	028-11299-000	028-11299-000	028-11299-000
	2	54	CONNECTOR, PRESSURE (BARBED TEE)	- - -	028-11616-000	028-11616-000	028-11616-000
	2	55	COUPLING, VENTER DISCHARGE	373-05070-000	373-05070-000	373-05070-000	373-05070-000
	2	56	FILTER, AIR	026-28048-001	026-28048-001	026-28048-001	026-28048-003
				1x16x26	1x16x26	1x16x26	1x20x26
	*	57	FITTING, HEYCO (LIQUID TIGHT)	025-25439-000	025-25439-000	025-25439-000	025-25439-000
	*	58	GASKET (BURNER BOX REAR) (3)	028-11610-004	028-11610-001	028-11610-001	028-11610-002
	2	59	GASKET (BURNER BOX REAR) (3)	028-11634-000	028-11634-000	028-11634-000	028-11634-000
	2	60	GASKET, AIR INTAKE	028-11287-000	028-11287-000	028-11287-000	028-11288-000
	*	61	GASKET, COMBUSTION BLOWER	028-11286-000	028-11286-000	028-11286-000	028-11286-000
	*	62	GASKET, CONDENSATE PAN	028-12106-001	028-12106-002	028-12106-002	028-12106-003
	*	63	GASKET, DECK SEAL (BOTTOM)	063-64884-000	063-64884-000	063-64884-000	063-64884-000
	2	64	GASKET, DECK SEAL (TOP)	028-11626-001	028-11626-002	028-11626-002	028-11626-003
	*	65	GASKET, LIMIT CONTROL	028-09413-000	028-09413-000	028-09413-000	028-09413-000
	*	66	GASKET, NEOPRENE (BURNER BOX FRONT)	028-11608-005	028-11608-001	028-11608-001	028-11609-002
	*	67	GASKET, NEOPRENE (BURNER BOX FRONT) (3)	028-11609-003	028-11609-001	028-11609-001	028-11608-002
	*	68	GASKET, NEOPRENE (BURNER BOX FRONT)	028-11609-005	028-11609-003	028-11609-003	028-11609-003
	2	69	GROMMET, MANIFOLD SEAL	028-04859-900	028-04859-900	028-04859-900	028-04859-900
	2	70	GROMMET, OBSERVATION PORT	028-11284-000	028-11284-000	028-11284-000	028-11284-000
	2	71	INSULATION, FLUE COVER	028-11298-001	028-11298-002	028-11298-002	028-11298-003
	*	72	ORIFICE, BURNER (#55)	029-20338-006	- - -	029-20338-006	- - -
	*	72	ORIFICE, BURNER (1.25 mm)	- - -	029-20338-015	- - -	029-20338-015
	*	73	ORIFICE, PILOT (#78)	029-20342-009	- - -	- - -	- - -
	*	73	ORIFICE, PILOT (#75)	- - -	029-20342-028	029-20342-028	029-20342-028
	*	74	PLUG, ELECTRIC (MALE, 2 CIRCUIT)	025-19672-900	025-19672-900	025-19672-900	025-19672-900
	2	75	PLUG, ELECTRIC (MALE, 8 CIRCUIT)	025-25426-000	025-25426-000	025-25426-000	025-25426-000
	2	76	PLUG, ELECTRIC (MALE, 8 CIRCUIT)	025-25428-000	025-25428-000	025-25428-000	025-25428-000
	2	77	PORT, OBSERVATION (GLASS)	028-11285-000	028-11285-000	028-11285-000	028-11285-000
	2	78	RECEPTICAL, ELEC.(FEMALE 8 CIRCUIT)	025-25427-000	025-25427-000	025-25427-000	025-25427-000
	2	79	RECEPTICAL, ELEC.(FEMALE 8 CIRCUIT)	025-25430-000	025-25430-000	025-25430-000	025-25430-000
	2	80	RECEPTICAL, ELEC.(FEMALE 9 CIRCUIT)	025-21191-900	025-21191-900	025-21191-900	025-21191-900
	*	81	RESTRICTOR PLATE (COMB. BLOWER)	028-11623-002	- - -	- - -	- - -
	2	82	RETAINER, FILTER	026-28040-000	026-28040-000	026-28040-000	026-28040-000
	*	83	TERMINAL, ELECTRICAL (PIN)	025-20533-900	025-20533-900	025-20533-900	025-20533-900
	*	84	TERMINAL, ELECTRICAL (PIN) (4)	025-20919-900	025-20919-900	025-20919-900	025-20919-900
	*	85	TERMINAL, ELECTRICAL (SOCKET)	025-19673-900	025-19673-900	025-19673-900	025-19673-900
	*	86	TERMINAL, VENT	363-93281-001	363-93281-001	(SEE NOTE 5)	363-93281-001
	2	87	TRAP, CONDENSATE	028-11625-000	028-11625-000	028-11625-000	028-11625-000
	*	88	TUBING, PRESSURE & CONDENSATE (1)	(SEE NOTE 1)	(SEE NOTE 1)	(SEE NOTE 1)	(SEE NOTE 1)
	2	89	MOUNT, MOTOR ARM	- - -	- - -	026-24092-000	026-23777-000
	2	90	MOUNT, MOTOR BAND	- - -	- - -	026-23780-000	026-23780-000

* NOT SHOWN

(1) TUBING IS UNREINFORCED PVC, OBTAIN LOCALLY.

(2) TWO OF EACH REQUIRED.

(4) SPLIT PIN MUST BE USED IN RECEPTICALS WITH 6 OR MORE CIRCUITS.

(5) MODEL MAY USE 2" VENT TERMINAL 363-93281-001 OR 3" VENT TERMINAL 363-93281-002, USE CORRECT SIZE PER INSTALLATION INSTRUCTION.

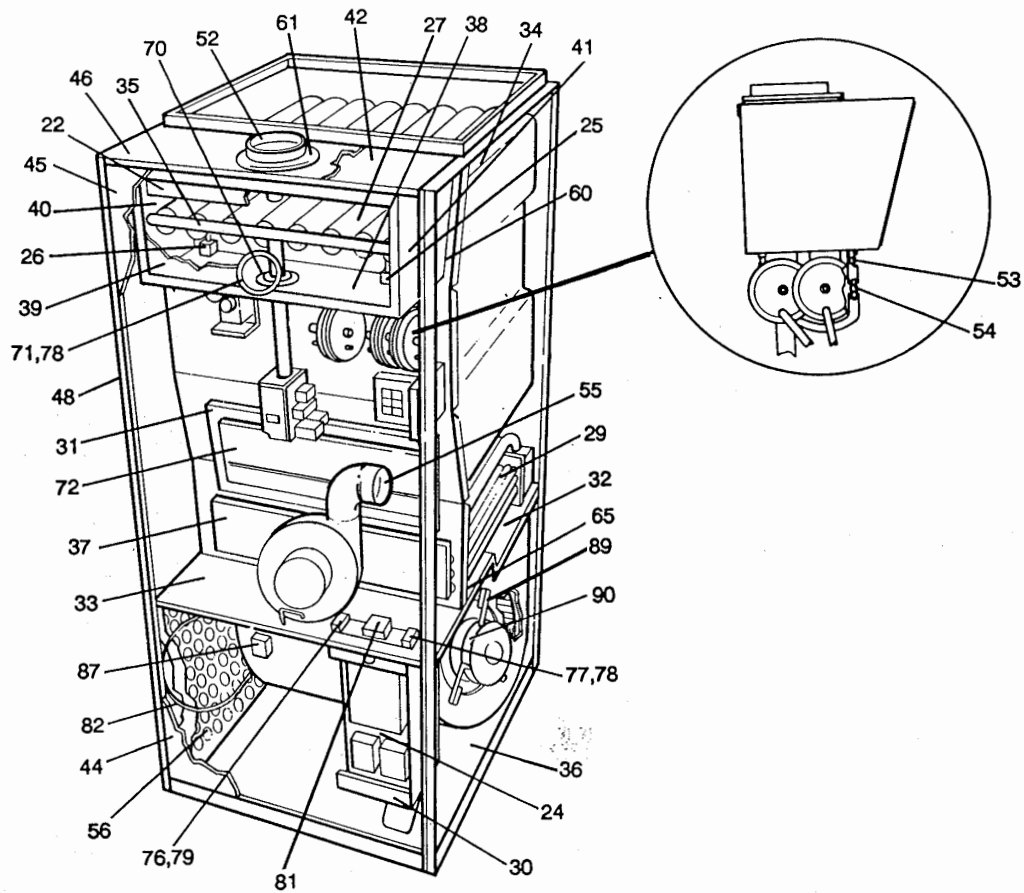


FIG. 4 - UPFLOW PROPANE GAS FURNACES 90 +

SECTION	FIG	ITEM	DESCRIPTION	PBNU-LD16P080C (4 BURNERS)	PBNU-LD16P120A-D (6 BURNERS)	PBNU-LD20P140A-D (7 BURNERS)	PBNU-LD20P100D (5 BURNERS)
FABRICATED							
PARTS	4	22	BAFFLE, AIR INTAKE	063-93229-002	073-00381-000	063-93229-004	073-00381-000
	*	23	BAFFLE, FLUE	063-93162-000	063-93162-000	063-93162-000	063-93162-000
	4	24	BOX, CONTROL	063-93202-000	063-93201-000	063-93202-000	063-93202-000
	4	25	BRACKET, FLAME SENSOR	063-93236-000	063-93236-000	063-93236-000	063-93236-000
	4	26	BRACKET, HOT SURFACE IGNITOR	073-03314-000	073-03314-000	073-03314-000	073-03314-000
	4	27	BURNER, MAIN GAS	029-20411-000	029-20411-000	029-20411-000	029-20411-000
	*	28	CARRYOVER TUBE	029-20341-002	029-20341-003	029-20341-004	029-20341-003
	4	29	COIL, HEAT RECOVERY	363-93275-002	363-93275-003	363-93275-004	363-93275-003
	4	30	COVER, CONTROL BOX	063-93203-000	063-93203-000	063-93203-000	063-93203-000
	4	31	COVER, FLUE BOX	363-93269-002	363-93269-003	363-93269-004	363-93269-003
	4	32	DECK, BLOWER (REAR)	073-06629-005	063-93169-000	063-93261-000	063-93169-000
	4	33	DECK, FRONT	073-07728-000	063-93291-000	063-93205-000	063-93291-000
	4	34	HEAT EXCHANGER ASS'Y. (PRIMARY)	373-01521-009	373-01521-005	373-01521-006	373-01521-004
	4	35	MANIFOLD	029-20340-001	029-20340-002	029-20340-006	029-20340-005
	4	36	PAN, BASE	063-91848-003	063-91848-003	063-91848-004	063-91848-003
	4	37	PAN, CONDENSATE	028-11636-002	028-11636-003	028-11636-004	028-11636-003
	4	38	PANEL, BURNER BOX (BOTTOM)	063-93240-008	063-93240-005	063-93240-006	063-93240-009
	4	39	PANEL, BURNER BOX (FRONT) (2)	373-03328-001	373-03328-002	373-03328-003	373-03328-002
	4	40	PANEL, BURNER BOX (LH)	073-03399-001	073-03399-001	073-03399-001	073-03399-001
	4	41	PANEL, BURNER BOX (RH)	073-03399-002	073-03399-002	073-03399-002	073-03399-002
	4	42	PANEL, BURNER BOX (TOP)	063-93231-008	063-93231-003	063-93231-004	063-93231-003
	*	43	PANEL, BURNER ENCLOSURE	063-93247-003	373-03229-005	373-03229-006	373-03229-004
	4	44	PANEL, FRONT (BLOWER) (STYLES "A-C")	063-93164-003	063-93164-733	063-93164-734	063-93164-733
	4	44	PANEL, FRONT (BLOWER) (STYLE "D")	- - -	063-93164-003	063-93164-004	- - -

* NOT SHOWN

(2) INCLUDES OBSERVATION PORT, GROMMET & GASKET.

