



www.Source1Parts.com

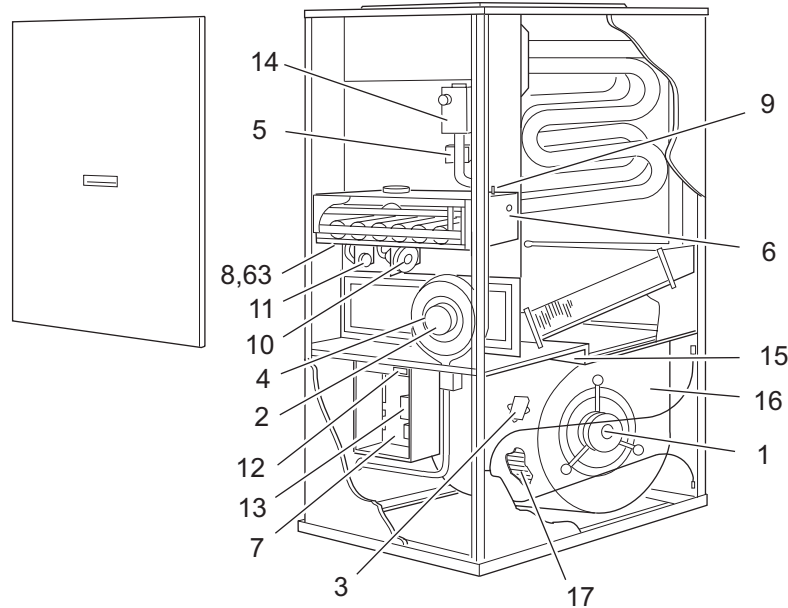
## PCLU (STYLE B) UPFLOW NATURAL GAS FURNACES (90%)

**HVAC SERVICE PARTS**

Supersedes: 035-19937-001 Rev. A (1103)

035-19937-001 Rev. B (0304)

1 of 8



**Figure 1: UPFLOW NATURAL GAS FURNACES (90%)**

FIG	ITEM	DESCRIPTION	PCLUALD08N040B	PCLUBLD10N060B	PCLUBLD12N080B	PCLUCLD14N100B
			(2 BURNER)	(3 BURNER)	(4 BURNER)	(5 BURNER)
<b>MOTOR</b>						
1	1	MOTOR, DIRECT DRIVE BLOWER	024-25108-003	024-25103-002	024-23271-000	024-26003-000
1	2	MOTOR, VENTOR ASS'Y	373-14249-001	373-14249-001	373-14249-001	373-14249-001
<b>ELECTRICAL</b>						
1	3	CAPACITOR (5MFD/370V)	024-20043-000	---	---	---
		CAPACITOR (7.5 MFD/370V)	---	024-20045-000	024-20045-000	---
		CAPACITOR (10 MFD/370V)	---	---	---	024-20046-000
1	4	CAPACITOR, VENTOR (4MFD/370V)	024-20084-000	024-20084-000	024-20084-000	024-20084-000
1	5	CONTROL, HIGH LIMIT	025-29041-004	025-29041-012	025-29041-002	025-29041-002
1	6	CONTROL, FLAME ROLL OUT	025-27792-001	025-27792-001	025-27792-001	025-27792-001
1	7	CONTROL, FURNACE	031-01266-000	031-01266-000	031-01266-000	031-01266-000
*	7A	FUSE	025-32746-026	025-32746-026	025-32746-026	025-32746-026
1	8	IGNITOR	025-32625-000	025-32625-000	025-32625-000	025-32625-000
1	9	SENSOR, FLAME	025-30788-000	025-30788-000	025-30788-000	025-30788-000
1	10	SWITCH, AIR PRESSURE [1LP]	024-27639-000	024-27637-000	024-27637-000	024-27634-000
1	11	SWITCH, AIR PRESSURE [2LP]	024-27631-000	024-27632-000	024-27632-000	024-27631-000
1	12	SWITCH, DOOR	024-25811-000	024-25811-000	024-25811-000	024-25811-000
1	13	TRANSFORMER	025-30889-000	025-30889-000	025-30889-000	025-30889-000
1	14	VALVE, GAS	025-31969-000	025-31969-000	025-31969-000	025-31969-000
<b>AIR MOVING</b>						
1	15	CUTOFF, BLOWER	---	---	063-93198-000	---
1	16	HOUSING, BLOWER	363-78000-002	363-78000-003	363-93200-000	373-07612-000
1	17	WHEEL, BLOWER	026-19654-002	026-19654-007	026-19654-009	026-19654-005

NOTE: \*Not Shown  
 New replacement parts shown in **bold** face type at the first printing of parts list dated 3/04.  
 Major components and suggested stocking items are shown with shaded item number.  
 "<" Across from row indicates a change in that row.  
 --- Not applicable to specified model.



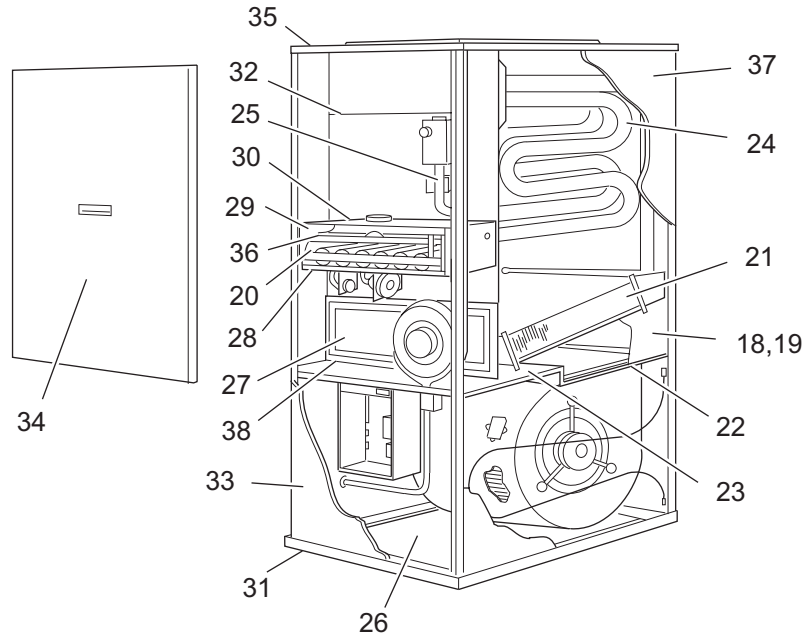


Figure 2: UPFLOW NATURAL GAS FURNACES (90%)

FIG	ITEM	DESCRIPTION	PCLUALD08N040B	PCLUBLD10N060B	PCLUBLD12N080B	PCLUCLD14N100B
			(2 BURNER)	(3 BURNER)	(4 BURNER)	(5 BURNER)
<b>FABRICATED PARTS</b>						
2	18	BAFFLE, AIR (LH Recoup.Coil)	073-12127-002	073-12127-002	073-12127-002	073-12127-002
2	19	BAFFLE, AIR (RH Recoup.Coil)	073-12127-001	073-12127-001	073-12127-001	073-12127-001
2	20	BURNER, MAIN GAS	029-20482-000	029-20482-000	029-20482-000	029-20482-000
2	21	COIL, SECONDARY HEAT EXCHANGER	373-18279-001	373-18279-002	373-18279-003	373-18279-004
2	22	DECK, BLOWER (Rear)	073-17501-001	073-12080-000	073-12081-000	073-15317-000
2	23	DECK, FRONT	073-17546-000	073-17422-000	073-17422-000	073-17423-000
2	24	HEAT EXCHANGER ASS'Y (Primary)	373-17467-008	373-17467-002	373-17467-003	373-17467-004
2	25	MANIFOLD, GAS	029-21177-001	029-21177-002	029-21177-003	029-21177-004
2	26	PAN, BASE	073-17504-001	073-17504-002	073-17504-002	073-17504-004
2	27	PAN, CONDENSATE	028-13322-000	028-13323-000	028-13324-000	028-13325-000
2	28	PANEL, BURNER BOX (Bottom)	073-20829-000	073-20821-000	073-20822-000	073-20823-000
2	29	PANEL, BURNER BOX (Front)	373-14526-001	373-14526-002	373-14526-003	373-14526-003
2	30	WRAPPER, BURNER BOX	073-14542-000	073-14543-000	073-14544-000	073-14545-000
2	31	CHANNEL, TOE PLATE	073-12062-005	073-12062-002	073-12062-002	073-12062-003
2	32	COVER, HEAT EXCHANGER	073-17614-000	073-17615-000	073-17616-000	073-17617-000
2	33	PANEL, FRONT (Blower)	073-14467-015	073-14467-012	073-14467-002	073-14467-013
2	34	PANEL, FRONT (Burner)	073-17975-001	073-17975-002	073-17975-002	073-17975-003
2	35	PANEL, TOP	073-17545-001	073-17446-000	073-17446-000	073-17447-000
2	36	SUPPORT, BURNER	073-17454-000	073-17455-000	073-17456-000	073-17457-000
2	37	WRAPPER, CABINET	373-12056-005	373-12056-002	373-12056-002	373-12056-003
2	38	PANEL, VESTIBULE (Lower)	073-17544-000	073-14570-000	073-14570-000	073-14571-000
*	39	PLUG, WINDOW, CLEAR - .875"	025-30899-000	025-30899-000	025-30899-000	025-30899-000

NOTE: \*Not Shown  
 New replacement parts shown in **bold** face type at the first printing of parts list dated 3/04.  
 Major components and suggested stocking items are shown with shaded item number.  
 "<" Across from row indicates a change in that row.  
 --- Not applicable to specified model.

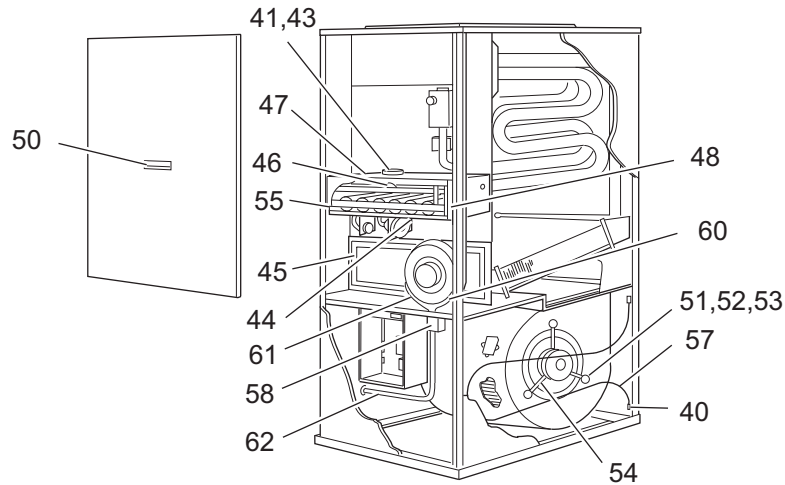


Figure 3: UPFLOW NATURAL GAS FURNACES (90%)

FIG	ITEM	DESCRIPTION	PCLUALD08N040B	PCLUBLD10N060B	PCLUBLD12N080B	PCLUCLD14N100B
			(2 BURNER)	(3 BURNER)	(4 BURNER)	(5 BURNER)
<b>MISCELLANEOUS</b>						
3	40	CLIP, FILTER RETAINER (2Req'd)	021-16017-000	021-16017-000	021-16017-000	021-16017-000
3	41	COLLAR, AIR INTAKE (Burner Box)	028-11289-000	028-11289-000	028-11289-000	028-11289-000
*	42	FILTER, AIR	026-28048-001	026-28048-001	026-28048-001	026-28048-003
		FILTER SIZE	(1 X 16 X 26)	(1 X 16 X 26)	(1 X 16 X 26)	(1 X 20 X 26)
3	43	GASKET, AIR INTAKE COLLAR	028-12460-001	028-12460-001	028-12460-001	028-12460-001
3	44	GASKET, COMBUSTION BLOWER	028-12498-000	028-12498-000	028-12498-000	028-12498-000
3	45	GASKET, CONDENSATE PAN	028-12458-001	028-12458-002	028-12458-002	028-12458-003
3	46	GASKET, BURNER BOX	028-08091-000	028-08091-000	028-08091-000	028-08091-000
3	47	GASKET, BURN BOX TO VEST PANEL	028-12459-001	028-12459-002	028-12459-003	028-12459-003
3	48	GROMMET, MANIFOLD SEAL	028-12465-000	028-12465-000	028-12465-000	028-12465-000
*	49	GROMMET, OBSERV. PORT	028-11284-000	028-11284-000	028-11284-000	028-11284-000
3	50	HANDLE, DOOR	029-22113-000	029-22113-000	029-22113-000	029-22113-000
3	51	ISOLATOR, TUBE (3 Req'd)	---	---	028-09412-001	028-09412-001
3	52	ISOLATOR, WASHER (3 Req'd)	---	---	028-09412-002	028-09412-002
3	53	ISOLATOR, SLEEVE (3 Req'd)	---	---	028-09412-003	028-09412-003
3	54	MOUNT, MOTOR	---	---	026-31459-000	026-31480-000
3	55	ORIFICE, BURNER (Natural #45)	029-21182-045	029-21182-045	029-21182-045	029-21182-045
*	56	PORT, OBSERVATION (GLASS)	028-11285-000	028-11285-000	028-11285-000	028-11285-000
3	57	RETAINER, FILTER	026-28040-000	026-28040-000	026-28040-000	026-28040-000
3	58	TRAP, CONDENSATE	028-13241-000	028-13241-000	028-13241-000	028-13241-000
*	59	WIRING DIAGRAM	035-14107-000	035-14107-000	035-14107-000	035-14107-000
3	60	HOSE, INDUCER DRAIN	028-12463-001	028-12463-002	028-12463-002	028-12463-002
3	61	HOSE, CONDENSATE PAN DRAIN (Top)	028-12462-002	028-12462-001	028-12462-001	028-12462-001
3	62	HOSE, CONDENSATE DRAIN	028-12464-001	028-12464-001	028-12464-001	028-12464-002
1	63	BRACKET, IGNITOR	073-17403-000	073-17403-000	073-17403-000	073-17403-000
*	64	HOSE, CONDENSATE PAN DRAIN(Btm)	028-13242-000	028-13243-000	028-13243-000	028-13243-000
*	65	PIPE, EXHAUST VENT	028-13240-000	028-13240-000	028-13240-000	028-13240-000
*	66	HARNESS, MAIN	373-14686-001	373-14686-001	373-14686-001	373-14686-001
*	67	TUBING, SILICONE (3/16" ID, Gray)	028-12499-000	028-12499-000	028-12499-000	028-12499-000
*	68	TUBING, SILICONE (1/8" ID, Clear)	028-11957-000	028-11957-000	028-11957-000	028-11957-000
*	69	PANEL, HEAT SHIELD	073-17459-001	073-17459-002	073-17459-003	073-17459-004
*	70	GASKET, HEAT SHIELD	028-13244-001	028-13244-002	028-13244-003	028-13244-004
*	71	NAMEPLATE, BEZEL	035-13508-000	035-13508-000	035-13508-000	035-13508-000

NOTE: \*Not Shown  
 New replacement parts shown in **bold** face type at the first printing of parts list dated 3/04.  
 Major components and suggested stocking items are shown with shaded item number.  
 "←" Across from row indicates a change in that row.  
 --- Not applicable to specified model.



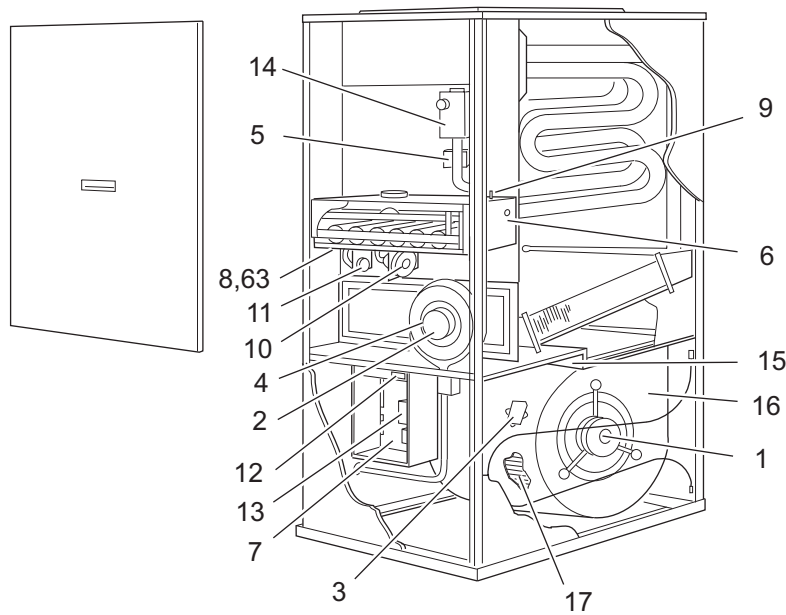


Figure 1: UPFLOW NATURAL GAS FURNACES (90%)

FIG	ITEM	DESCRIPTION	PCLUCLD16N080B	PCLUCLD20N100B	PCLUCLD20N120B	PCLUCLD20N140B
			(4 BURNER)	(5 BURNER)	(6 BURNER)	(6 BURNER)
<b>MOTOR</b>						
1	1	MOTOR, DIRECT DRIVE BLOWER	024-26002-000	024-23238-001	024-23238-001	024-23238-001
1	2	MOTOR, VENTOR ASS'Y	373-14249-001	373-14249-001	373-14249-001	373-14249-001
<b>ELECTRICAL</b>						
1	3	CAPACITOR (10MFD/370V)	024-20046-000	---	---	---
		CAPACITOR (15MFD/370V)	---	024-20446-000	024-20446-000	024-20446-000
1	4	CAPACITOR, VENTOR (4MFD/370V)	024-20084-000	024-20084-000	024-20084-000	024-20084-000
1	5	CONTROL, HIGH LIMIT	025-29041-004	025-29041-002	025-29041-002	025-29041-004
1	6	CONTROL, FLAME ROLL OUT (2 ea.)	025-27792-001	025-27792-001	025-27792-001	025-27792-001
1	7	CONTROL, FURNACE	031-01266-000	031-01266-000	031-01266-000	031-01266-000
*	7A	FUSE	025-32746-026	025-32746-026	025-32746-026	025-32746-026
1	8	IGNITOR	025-32625-000	025-32625-000	025-32625-000	025-32625-000
1	9	SENSOR, FLAME	025-30788-000	025-30788-000	025-30788-000	025-30788-000
1	10	SWITCH, AIR PRESSURE [1LP]	024-27638-000	024-27634-000	024-27637-000	024-27638-000
1	11	SWITCH, AIR PRESSURE [2LP]	024-27632-000	024-27631-000	024-27632-000	024-27632-000
1	12	SWITCH, DOOR	024-25811-000	024-25811-000	024-25811-000	024-25811-000
1	13	TRANSFORMER	025-30889-000	025-30889-000	025-30889-000	025-30889-000
1	14	VALVE, GAS	025-31969-000	025-31969-000	025-31969-000	025-31969-000
<b>AIR MOVING</b>						
1	15	CUTOFF, BLOWER	063-93198-000	063-78006-000	063-78006-000	063-78006-000
1	16	HOUSING, BLOWER	363-93200-000	373-06239-000	373-06239-000	373-06239-000
1	17	WHEEL, BLOWER	026-19654-009	026-19654-014	026-19654-014	026-19654-014

NOTE: \*Not Shown  
 New replacement parts shown in **bold** face type at the first printing of parts list code dated 3/04.  
 Major components and suggested stockings items are shown with shaded item number.  
 "<" Across from row indicates a change in that row.  
 --- Not applicable to specified model.

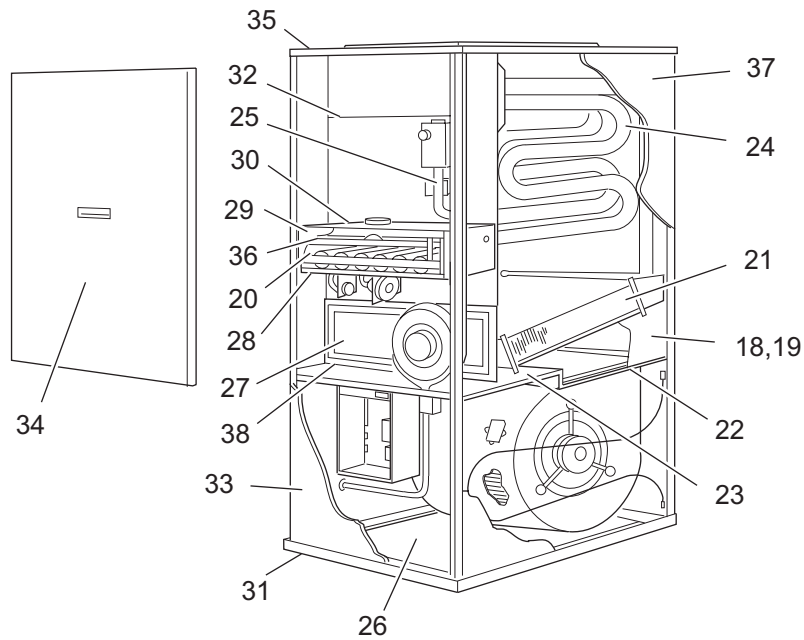


Figure 2: UPFLOW NATURAL GAS FURNACES (90%)

FIG	ITEM	DESCRIPTION	PCLUCLD16N080B	PCLUCLD20N100B	PCLUDLD20N120B	PCLUDLD20N140B
			(4 BURNER)	(5 BURNER)	(6 BURNER)	(6 BURNER)
<b>FABRICATED PARTS</b>						
2	18	BAFFLE, AIR (LH Recoup.Coil)	073-12127-002	073-12127-002	073-12127-002	073-12127-002
2	19	BAFFLE, AIR (RH Recoup. Coil)	073-12127-001	073-12127-001	073-12127-001	073-12127-001
2	20	BURNER, MAIN GAS	029-20482-000	029-20482-000	029-20482-000	029-20482-000
2	21	COIL, SECONDARY HEAT EXCHANGER	373-18279-007	373-18279-004	373-18279-005	373-18279-006
2	22	DECK, BLOWER (Rear)	073-15317-000	073-12087-000	073-12083-000	073-12083-000
2	23	DECK, FRONT	073-17423-000	073-17423-000	073-17424-000	073-17424-000
2	24	HEAT EXCHANGER ASS'Y(Primary)	373-17467-007	373-17467-004	373-17467-005	373-17467-006
2	25	MANIFOLD, GAS	029-21177-003	029-21177-004	029-21177-005	029-21177-005
2	26	PAN, BASE	073-17504-003	073-17504-003	073-17504-004	073-17504-004
2	27	PAN, CONDENSATE	028-13328-000	028-13325-000	028-13326-000	028-13327-000
2	28	PANEL, BURNER BOX (Bottom)	073-20822-000	073-20823-000	073-20824-000	073-20824-000
2	29	PANEL, BURNER BOX (Front)	373-14526-003	373-14526-004	373-14526-005	373-14526-005
2	30	WRAPPER, BURNER BOX	073-14544-000	073-14545-000	073-14546-000	073-14546-000
2	31	CHANNEL, TOE PLATE	073-12062-003	073-12062-003	073-12062-004	073-12062-004
2	32	COVER, HEAT EXCHANGER	073-17616-000	073-17617-000	073-17618-000	073-17618-000
2	33	PANEL, FRONT (Blower)	073-14467-013	073-14467-013	073-14467-014	073-14467-014
2	34	PANEL, FRONT (Burner)	073-17975-003	073-17975-003	073-17975-004	073-17975-004
2	35	PANEL, TOP	073-17447-000	073-17447-000	073-17448-000	073-17448-000
2	36	SUPPORT, BURNER	073-17456-000	073-17456-000	073-17458-000	073-17458-000
2	37	WRAPPER, CABINET	373-12056-003	373-12056-003	373-12056-004	373-12056-004
2	38	PANEL, VESTIBULE (Lower)	073-14571-000	073-14571-000	073-14572-000	073-14416-000
*	39	PLUG, WINDOW,CLEAR - .875"	025-30899-000	025-30899-000	025-30899-000	025-30899-000

NOTE: \*Not Shown  
 New replacement parts shown in **bold** face type at the first printing of parts list dated 3/04.  
 Major components and suggested stocking items are shown with shaded item number.  
 "<" Across from row indicates a change in that row.  
 --- Not applicable to specified model.



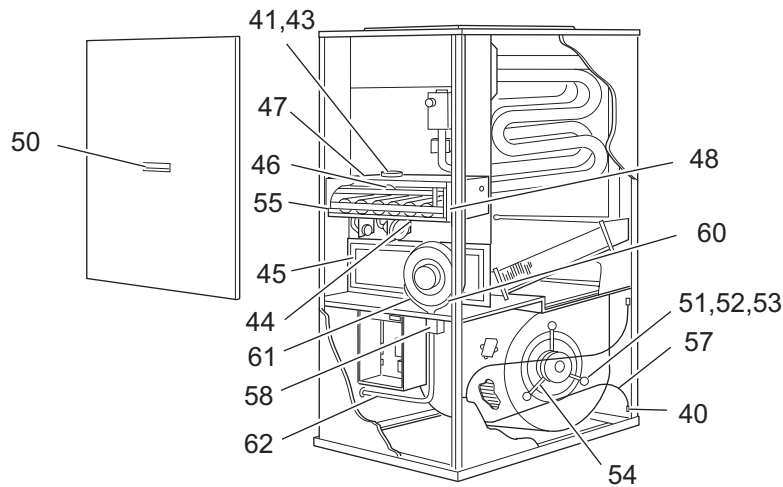


Figure 3: UPFLOW NATURAL GAS FURNACES (90%)

FIG	ITEM	DESCRIPTION	PCLUCLD16N080B	PCLUCLD20N100B	PCLUCLD20N120B	PCLUCLD20N140B
			(4 BURNER)	(5 BURNER)	(6 BURNER)	(6 BURNER)
<b>MISCELLANEOUS</b>						
3	40	CLIP, FILTER RETAINER (2 Req'd)	021-16017-000	021-16017-000	021-16017-000	021-16017-000
3	41	COLLAR, AIR INTAKE (Burner Box)	028-11289-000	028-11289-000	028-11290-000	028-11290-000
*	42	FILTER, AIR	026-28048-003	026-28048-003	026-28048-004	026-28048-004
		FILTER SIZE	(1 X 20 X 26)	(1 X 20 X 26)	(1 X 24 X 26)	(1 X 24 X 26)
3	43	GASKET, AIR INTAKE COLLAR	028-12460-001	028-12460-001	028-12460-002	028-12460-002
3	44	GASKET, COMBUSTION BLOWER	028-12498-000	028-12498-000	028-12498-000	028-12498-000
3	45	GASKET, CONDENSATE PAN	028-12458-003	028-12458-003	028-12458-004	028-12458-005
3	46	GASKET, BURNER BOX	028-08091-000	028-08091-000	028-08091-000	028-08091-000
3	47	GASKET, BURN BOX TO VEST PANEL	028-12459-005	028-12459-004	028-12459-004	028-12459-005
3	48	GROMMET, MANIFOLD SEAL	028-12465-000	028-12465-000	028-12465-000	028-12465-000
*	49	GROMMET, OBSERV. PORT	028-11284-000	028-11284-000	028-11284-000	028-11284-000
3	50	HANDLE, DOOR	029-22113-000	029-22113-000	029-22113-000	029-22113-000
3	51	ISOLATOR, TUBE (3 Req'd)	028-09412-001	028-09412-001	028-09412-001	028-09412-001
3	52	ISOLATOR, WASHER (3 Req'd)	028-09412-002	028-09412-002	028-09412-002	028-09412-002
3	53	ISOLATOR, SLEEVE (3 Req'd)	028-09412-003	028-09412-003	028-09412-003	028-09412-003
3	54	MOUNT, MOTOR	026-31459-000	026-31459-000	026-31459-000	026-31459-000
3	55	ORIFICE, BURNER (Natural #45)	029-21182-045	029-21182-045	029-21182-045	---
		ORIFICE, BURNER (Natural #43)	---	---	---	029-20423-043
*	56	PORT, OBSERVATION (GLASS)	028-11285-000	028-11285-000	028-11285-000	028-11285-000
3	57	RETAINER, FILTER	026-28040-000	026-28040-000	026-28040-000	026-28040-000
3	58	TRAP, CONDENSATE	028-13241-000	028-13241-000	028-13241-000	028-13241-000
*	59	WIRING DIAGRAM	035-14107-000	035-14107-000	035-14107-000	035-14107-000
3	60	HOSE, INDUCER DRAIN	028-12463-002	028-12463-002	028-12463-002	028-12463-002
3	61	HOSE, CONDENSATE PAN DRAIN (Top)	028-12462-001	028-12462-001	028-12462-001	028-12462-001
3	62	HOSE, CONDENSATE DRAIN	028-12464-002	028-12464-002	028-12464-002	028-12464-002
1	63	BRACKET, IGNITOR	073-17403-000	073-17403-000	073-17403-000	073-17403-000
*	64	HOSE, CONDENSATE PAN DRAIN(Btm)	028-13243-000	028-13243-000	028-13243-000	028-13243-000
*	65	PIPE, EXHAUST VENT	028-13240-000	028-13240-000	028-13240-000	028-13240-000
*	66	HARNESS, MAIN	373-14686-001	373-14686-001	373-14686-001	373-14686-001
*	67	TUBING, SILICONE (3/16" ID, Gray)	028-12499-000	028-12499-000	028-12499-000	028-12499-000
*	68	TUBING, SILICONE (1/8" ID, Clear)	028-11957-000	028-11957-000	028-11957-000	028-11957-000
*	69	PANEL, HEAT SHIELD	073-17459-003	073-17459-004	073-17459-005	073-17459-005
*	70	GASKET, HEAT SHIELD	028-13244-003	028-13244-004	028-13244-005	028-13244-005
*	71	NAMEPLATE, BEZEL	035-13508-000	035-13508-000	035-13508-000	035-13508-000

NOTE: \*Not Shown  
 New replacement parts shown in **bold** face type at the first printing of parts list dated 3/04.  
 Major components and suggested stocking items are shown with shaded item number.  
 "<" Across from row indicates a change in that row.  
 --- Not applicable to specified model.

<b>FIELD INSTALLED ACCESSORIES - NON-ELECTRICAL</b>		
<b>MODEL NO.</b>	<b>DESCRIPTION</b>	<b>USED WITH</b>
1NP0347	PROPANE (LP) CONVERSION KIT	ALL MODELS EXCEPT 140 MBH
1NP0349		140 MBH
1CT0301	CONCENTRIC INTAKE TERMINATION VENT	ALL MODELS
1SR0302	EXTERNAL SIDE FILTER RACK (6 PACK)	ALL MODELS
1BR0301	EXTERNAL BOTTOM FILTER RACK	14-1/2" CABINETS
1BR0302		17-1/2" CABINETS
1BR0303		21" CABINETS
1BR0304		24-1/2" CABINETS

**TO ORDER AUTHORIZED FACTORY REPLACEMENT PARTS** - Contact your Source1 HVAC Parts Distributor or visit our website at [www.Source1Parts.com](http://www.Source1Parts.com) for a Distributor and Dealer listing.

Subject to change without notice. Printed in U.S.A.  
Copyright © by York International Corp. 2004. All rights reserved.

035-19937-001 Rev. B (0304)  
Supersedes: 035-19937-001 Rev. A (1103)

---

<b>Unitary Products Group</b>	<b>5005 York Drive</b>	<b>Norman OK 73069</b>
---------------------------------------	--------------------------------	--------------------------------