

RENEWAL PARTS

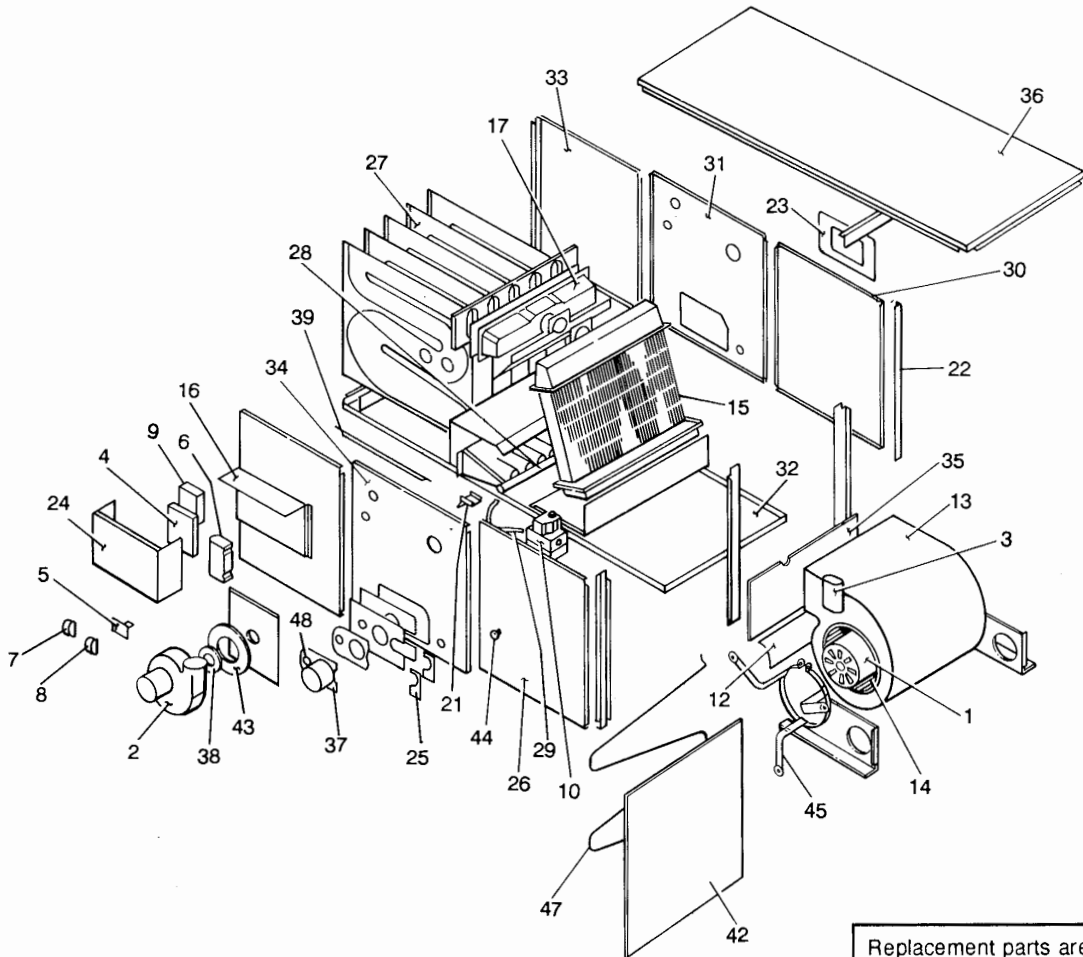
P-HD *WJN* GAS FIRED HORIZONTAL FURNACES

Supersedes: 650.70-RP1V(1092)

650.70-RP1V(393)

NOTE: - MAY BE "1" OR "A"

1 of 2



Replacement parts are available from local CES HVAC contractor / dealers or the nearest CES distribution center.

FIG. 1 - GAS FIRED HORIZONTAL FURNACES

SECTION	FIG	ITEM	DESCRIPTION	P-HDD12N04701A (2 BURNERS)	P-HDD12N06901A (3 BURNERS)	P-HDD16N09201A (4 BURNERS)	P-HDD20N11501A (5 BURNERS)
MOTORS							
	1	1	MOTOR, DIRECT DRIVE FAN	026-32258-000	026-32258-000	026-32259-000	026-32259-000
	1	2	MOTOR, VENTOR (W/HOUSING & WHEEL)	026-32250-000	026-32250-000	026-32250-000	026-32250-000
ELECTRICAL							
	1	3	CAPACITOR, RUN (7.5 MFD/370)	024-19602-000	024-19602-000	- - -	- - -
	1	3	CAPACITOR, RUN (15 MFD/370V)	- - -	- - -	024-24081-000	024-24081-000
	1	4	CONTROL, FAN TIMER (PRINT CIR. BD.)	026-32254-000	026-32254-000	026-32254-000	026-32254-000
	1	5	CONTROL, LIMIT	026-32255-000	026-32257-000	026-32255-000	026-32256-000
	1	6	CONTROL, MODULE	025-27764-700	025-27764-700	025-27764-700	025-27764-700
	1	7	SWITCH, PRESSURE (P1)	026-32264-000	026-32263-000	026-32265-000	026-32263-000
	1	8	SWITCH, PRESSURE (P2)	024-25366-000	026-32266-000	026-32266-000	026-32266-000
	1	9	TRANSFORMER, 40VA	026-32253-000	026-32253-000	026-32253-000	026-32253-000
	1	10	VALVE, GAS (NATURAL)	026-32244-000	026-32244-000	026-32244-000	026-32244-000
	*	11	WIRE, IGNITION	026-32245-000	026-32245-000	026-32245-000	026-32245-000
AIR MOVING							
	1	12	CUT-OFF, BLOWER	026-32285-000	026-32285-000	026-23271-000	026-30303-000
	1	13	HOUSING, BLOWER	026-32260-000	026-32260-000	026-32261-000	026-32262-000
	1	14	WHEEL, BLOWER	026-32284-000	026-32284-000	026-26822-700	026-31667-000
REFRIGERANT							
CIRCUIT	1	15	COIL, CONDENSER	026-32232-000	026-32232-000	026-32233-000	026-32234-000
FABRICATED							
PARTS	1	16	BOX, CONTROL	026-32251-000	026-32251-000	026-32251-000	026-32251-000
	1	17	BOX, FLUE	026-32229-000	026-32229-000	026-32230-000	026-32231-000
	*	18	BRACKET, PILOT	026-32239-000	026-32239-000	026-32239-000	026-32239-000
	*	19	BRACKET, VENT TERMINATION	026-32271-000	026-32271-000	026-32272-000	026-32272-000
	*	20	BURNER, GAS	026-32127-000	026-32127-000	026-32127-000	026-32127-000

* NOT SHOWN

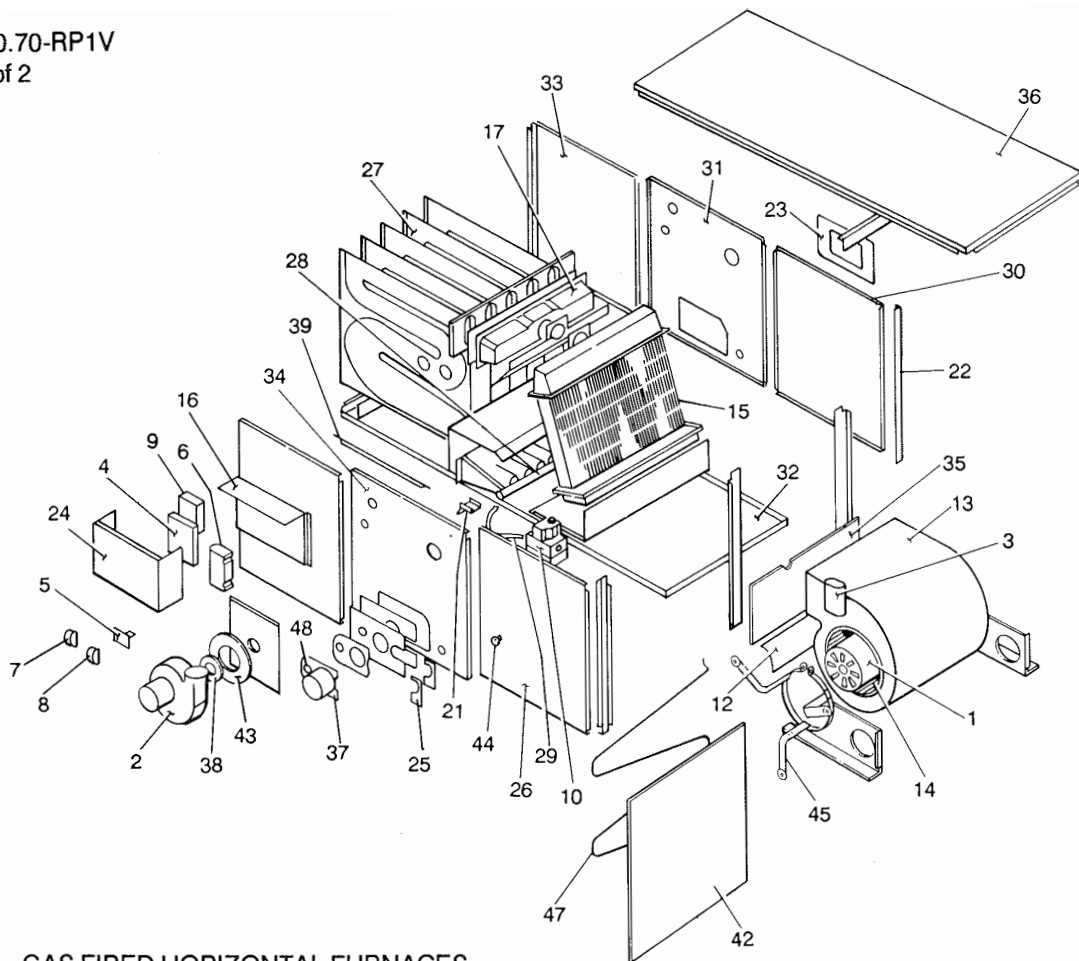


FIG. 1 - GAS FIRED HORIZONTAL FURNACES

SECTION	FIG	ITEM	DESCRIPTION	P-HDD12N04701A (2 BURNERS)	P-HDD12N06901A (3 BURNERS)	P-HDD16N09201A (4 BURNERS)	P-HDD20N11501A (5 BURNERS)
FABRICATED							
PARTS	1	21	BURNER, PILOT (NATURAL)	029-16880-700	029-16880-700	029-16880-700	029-16880-700
	1	22	CORNERPOST, INLET	026-32218-000	026-32218-000	026-32218-000	026-32218-000
	1	23	COVER, BACK BURNER (REMOVAL)	026-32219-000	026-32219-000	026-32219-000	026-32219-000
	1	24	COVER, CONTROL BOX	026-32252-000	026-32252-000	026-32252-000	026-32252-000
	1	25	COVER, MANIFOLD	026-32220-000	026-32220-000	026-32220-000	026-32220-000
	1	26	DOOR, FRONT BLOWER	026-32215-000	026-32215-000	026-32215-000	026-32215-000
	1	27	HEAT EXCHANGER (PRIMARY)	026-32225-000	026-32226-000	026-32227-000	026-32228-000
	1	28	MANIFOLD	026-32240-000	026-32241-000	026-32242-000	026-32243-000
	1	29	MANIFOLD, EXTENSION	026-31397-000	026-31397-000	026-31397-000	026-31397-000
	1	30	PANEL, BACK BLOWER	026-32214-000	026-32214-000	026-32214-000	026-32214-000
	1	31	PANEL, BACK CENTER	026-32216-000	026-32216-000	026-32216-000	026-32216-000
	1	32	PANEL, BOTTOM	026-32211-000	026-32211-000	026-32212-000	026-32213-000
	1	33	PANEL, FRONT & BACK LEFT	026-32224-000	026-32224-000	026-32224-000	026-32224-000
	1	34	PANEL, FRONT CENTER	026-32217-000	026-32217-000	026-32217-000	026-32217-000
	1	35	PANEL, PARTITION BOTTOM	026-32221-000	026-32221-000	026-32222-000	026-32223-000
	1	36	PANEL, TOP	026-32208-000	026-32208-000	026-32209-000	026-32210-000
	1	37	PLATE, AIR INLET	026-32268-000	026-32268-000	026-32269-000	026-32269-000
	1	38	PLATE, ORIFICE	026-32246-000	026-32247-000	026-32248-000	026-32249-000
	1	39	SHIELD, SIDE HEAT	026-32270-000	026-32270-000	026-32270-000	026-32270-000
MISCELLANEOUS							
	*	40	DRAIN, CONDENSATE W/CLAMPS	026-32273-000	026-32273-000	026-32273-000	026-32273-000
	*	41	ELBOW, 2"-90 (PVC)	026-32281-000	026-32281-000	026-32282-000	026-32282-000
	1	42	FILTER	026-32277-000	026-32277-000	026-32278-000	026-32279-000
	1	43	GASKET, INDUCED DRAFT BLOWER	026-32280-000	026-32280-000	026-32280-000	026-32280-000
	1	44	KNOB, DOOR	026-28614-000	026-28614-000	026-28614-000	026-28614-000
	1	45	MOUNT, MOTOR	026-30422-000	026-30422-000	026-30422-000	026-30422-000
	*	46	ORIFICE, BURNER (#42)	026-29390-000	026-29390-000	026-29390-000	026-29390-000
	1	47	RETAINER, FILTER	026-32274-000	026-32274-000	026-32275-000	026-32276-000
	1	48	SIGHTGLASS	026-32267-000	026-32267-000	026-32267-000	026-32267-000
	*	49	SUPPORT, BURNER	026-32235-000	026-32236-000	026-32237-000	026-32238-000
	*	50	ORIFICE, PILOT (.020)	029-20479-020	029-20479-020	029-20479-020	029-20479-020

* NOT SHOWN