



www.Source1Parts.com

GF9S SERIES (STYLE G) 91% DOWNFLOW/HORIZONTAL NATURAL GAS FURNACES

HVAC SERVICE PARTS

Supersedes: Nothing

035-20369-001 Rev. A (0504)

1 of 8

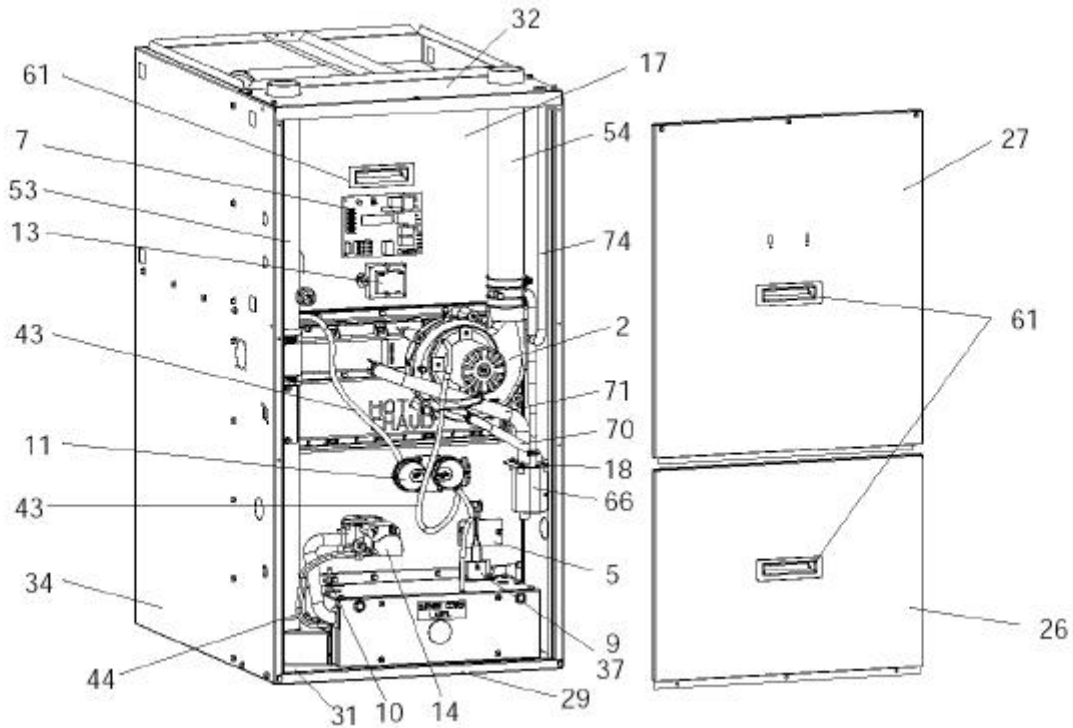


Figure 1: DOWNFLOW/HORIZONTAL NATURAL GAS FURNACES (91%)

FIG	ITEM	DESCRIPTION	GF9S060B12DH11G	GF9S080B12DH11G	GF9S080C16DH11G	<
			(3 BURNER)	(4 BURNER)	(4 BURNER)	
MOTOR						
2	1	MOTOR,DIRECT DRIVE BLOWER	024-32054-000	024-32054-000	024-32055-000	
1,2	2	MOTOR, INDUCER ASS'Y	024-34558-000	024-34558-000	024-34558-000	
ELECTRICAL						
2	3	CAPACITOR, RUN (7.5MFD/370V)	024-20045-000	024-20045-000	---	
		CAPACITOR, RUN (10MFD/370V)	---	---	024-20046-000	
2	4	SWITCH, LIMIT (INDUCER)	025-38737-000	025-38737-000	025-38737-000	
1,2	5	LIMIT, TEMPERATURE (Primary)	025-29041-004	025-29041-011	025-29041-004	
2,3	6	LIMIT, FLAME ROLL-OUT	025-27792-001	025-27792-001	025-27792-001	
1	7	CONTROL, FURNACE MODULE	031-01972-000	031-01972-000	031-01972-000	
*	8	FUSE	025-32746-026	025-32746-026	025-32746-026	
1,3	9	IGNITER	025-32625-000	025-32625-000	025-32625-000	
1,3	10	SENSOR, FLAME	025-37499-000	025-37499-000	025-37499-000	
1	11	SWITCH, PRESSURE	024-34562-000	024-34561-000	024-34560-000	
*	12	SWITCH, DOOR	024-27640-000	024-27640-000	024-27640-000	
1	13	TRANSFORMER	025-30889-000	025-30889-000	025-30889-000	
ALL	14	VALVE, GAS	025-37426-000	025-37426-000	025-37426-000	
AIR MOVING						
2	15	HOUSING, BLOWER	373-19812-751	373-19812-751	373-19816-751	
2	16	WHEEL, BLOWER	026-19654-009	026-19654-009	026-19654-014	

NOTE: *Not Shown

New replacement parts shown in **bold** face type at the first printing of parts list dated 5/04.

Major components and suggested stocking items are shown with shaded item number.

"<" Across from row indicates a change in that row.

--- Not applicable to specified model.



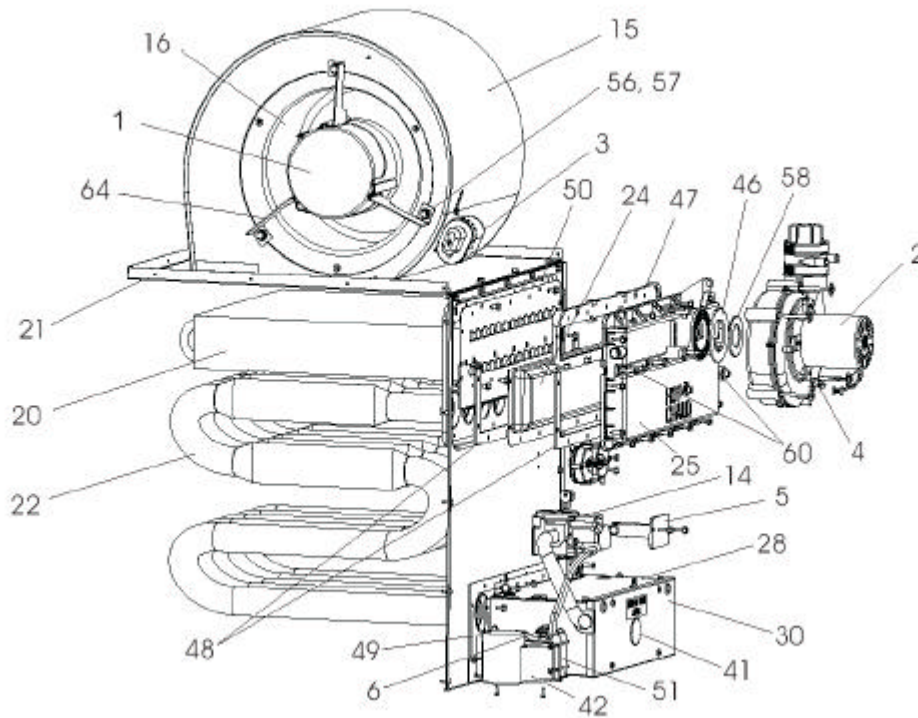


Figure 2: DOWNFLOW/HORIZONTAL NATURAL GAS FURNACES (91%)

FIG	ITEM	DESCRIPTION	GF9S060B12DH11G	GF9S080B12DH11G	GF9S080C16DH11G	<
			(3 BURNER)	(4 BURNER)	(4 BURNER)	
FABRICATED PARTS						
1	17	PANEL, BLOWER COVER	073-19812-370	073-19812-370	073-19816-370	
1	18	BRACKET, CONDENSATE TRAP	073-19811-001	073-19811-001	073-19811-001	
3	19	BURNER, MAIN GAS	029-20482-000	029-20482-000	029-20482-000	
2	20	COIL, CONDENSING	373-19812-801	373-19812-801	373-19816-801	
2	21	SHELF, BLOWER	073-19812-222	073-19812-222	073-19816-222	
2	22	HEAT EXCHANGER ASS'Y	373-19812-611	373-19812-612	373-19816-611	
3	23	MANIFOLD, GAS	029-22253-030	029-22253-040	029-22253-040	
2	24	SHIELD, PAN	073-19812-570	073-19812-570	073-19816-570	
2	25	PAN, CONDENSATE	028-15151-000	028-15151-000	028-15152-000	
1	26	PANEL, LOWER ACCESS	073-19863-032	073-19863-032	073-19863-033	
1	27	PANEL, UPPER ACCESS	073-19812-121	073-19812-121	073-19816-121	
2,3	28	WRAPPER, BURNER BOX	073-19811-730	073-19811-740	073-19811-740	
1	29	CHANNEL, TOE PLATE	073-19863-042	073-19863-042	073-19863-043	
2,3	30	COVER, GAS CONTROL	373-22155-002	373-22155-003	373-22155-003	
1	31	PANEL, BOTTOM	073-19812-170	073-19812-170	073-19816-170	
1	32	PANEL, TOP	073-19863-052	073-19863-052	073-19863-053	
3	33	SUPPORT, BURNER	073-19811-330	073-19811-340	073-19811-340	
1	34	WRAPPER, CABINET	373-19863-002	373-19863-002	373-19863-003	
	35					
3	36	PLATE, DIFFUSER	073-19811-023	073-19811-024	073-19811-024	
1,3	37	BRACKET, IGNITER	073-17403-000	073-17403-000	073-17403-000	
*	38	BRACKET, DOOR SWITCH	073-19811-380	073-19811-380	073-19811-380	
*	39	BRACKET, DOOR	073-19863-062	073-19863-062	073-19863-063	
3	40	BOTTOM PANEL, BURNER BOX	073-19811-130	073-19811-140	073-19811-140	

NOTE: *Not Shown

New replacement parts shown in **bold** face type at the first printing of parts list dated 5/04.

Major components and suggested stocking items are shown with shaded item number.

"<" Across from row indicates a change in that row.

--- Not applicable to specified model.

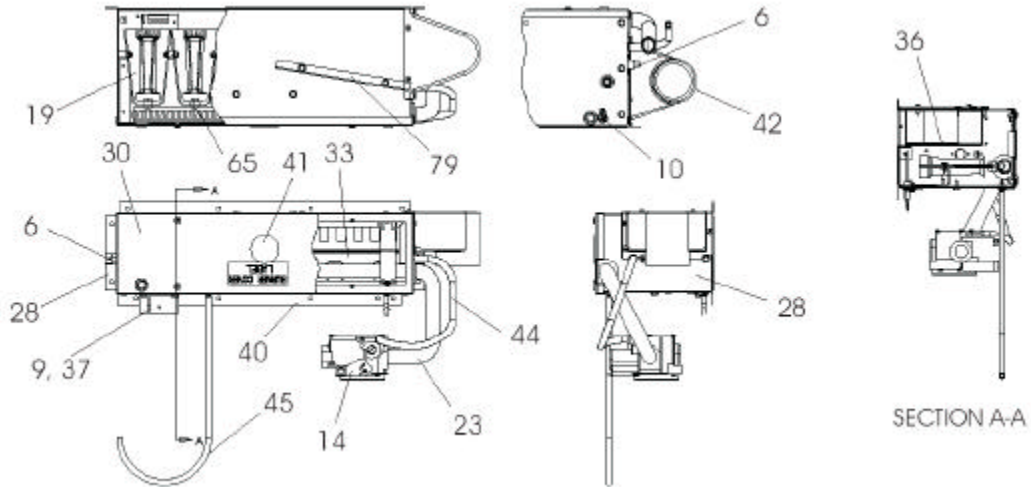


Figure 3: GAS CONTROLS (91%)

FIG	ITEM	DESCRIPTION	GF9S060B12DH11G	GF9S080B12DH11G	GF9S080C16DH11G <
			(3 BURNER)	(4 BURNER)	(4 BURNER)
MISCELLANEOUS					
2,3	41	PLUG, WINDOW, CLEAR - 1.5"	025-37005-000	025-37005-000	025-37005-000
2,3	42	COMBUSTION AIR TRANSITION	028-15154-000	028-15154-000	028-15154-000
1	43	TUBING, SILICONE (Gray, .188 ID, 2.83 ft. Req'd)	028-12499-000	028-12499-000	028-12499-000
1,3	44	TUBING, SILICONE (Preformed)	028-15170-000	028-15170-000	028-15170-000
3	45	TUBING, SILICONE (Gray, .188 ID, 1.25 ft. Req'd)	028-12499-000	028-12499-000	028-12499-000
2	46	GASKET, COMBUSTION BLOWER	028-15177-000	028-15177-000	028-15177-000
2	47	GASKET, CONDENSATE PAN	028-14759-002	028-14759-002	028-14759-003
2	48	GASKET, UPPER CONDENSATE PAN (2 Req'd)	028-14773-000	028-14773-000	028-14774-000
2	49	GASKET, GAS CONTROLS	028-14772-103	028-14772-104	028-14772-104
2	50	GASKET, CONDENSING COIL	028-14760-002	028-14760-002	028-14760-003
2	51	GASKET, COMBUSTION AIR TRANSITION	028-15155-000	028-15155-000	028-15155-000
*	52	GASKET, MOUNTING BRKT (Burner Box)	028-13256-000	028-13256-000	028-13256-000
1	53	COMBUSTION AIR INTAKE ASSEMBLY	028-15167-000	028-15167-000	028-15167-000
1	54	VENT PIPE 2" X 15.25" LG.	028-15166-000	028-15166-000	028-15166-000
*	55	RUBBER SLEEVE 2.5" X 4" LG.	028-15162-000	028-15162-000	028-15162-000
2	56	GROMMET, MOTOR (3 Req'd)	028-14740-000	028-14740-000	028-14740-000
2	57	FERRULE (3 Req'd)	023-20541-000	023-20541-000	023-20541-000
2	58	COMBUSTION BLWR RESTRICTOR	028-15172-000	028-15173-000	028-15174-000
*	59	SPRING, DOOR	029-22119-000	029-22119-000	029-22119-000
2	60	WASHER, FLAT FIBERGLASS (2 Req'd)	028-14768-000	028-14768-000	028-14768-000
1	61	HANDLE, DOOR (3 Req'd)	028-14886-000	028-14886-000	028-14886-000
*	62	CLAMP, HOSE (2 Req'd)	021-18390-000	021-18390-000	021-18390-000
*	63	HARNESS, MAIN WIRING	373-19811-540	373-19811-540	373-19811-540
2	64	MOUNT, 1 PC. MOTOR	073-19831-001	073-19831-001	073-19831-001
3	65	ORIFICE, BURNER (Natural #45)	029-21182-045	029-21182-045	029-21182-045
1	66	TRAP, CONDENSATE	028-14762-000	028-14762-000	028-14762-000
*	67	WIRING DIAGRAM	035-19941-001	035-19941-001	035-19941-001
*	68	45 DEG STREET ELBOW 2"	028-15161-000	028-15161-000	028-15161-000
*	69	DRAIN TUBE, CONDENSATE TRAP	028-13309-004	028-13309-004	028-13309-004
1	70	DRAIN TUBE, COMBUSTION BLOWER	028-15168-000	028-15168-000	028-15168-000
1	71	DRAIN TUBE, CONDENSATE PAN	028-15156-000	028-15156-000	028-15156-000
*	72	DRAIN TUBE, STRAIGHT 21" LG.	028-15169-001	028-15169-001	028-15169-001
*	73	DRAIN TUBE, RAIN GUTTER	028-15171-000	028-15171-000	028-15171-000
1	74	DRAIN HOSE ASSEMBLY	028-15176-000	028-15176-000	028-15176-000
*	75	LOCKNUT, CONDUIT (1/2")	025-32683-000	025-32683-000	025-32683-000
*	76	ADAPTER, INSERT	025-31808-000	025-31808-000	025-31808-000
*	77	BUSHING, THREADED	025-31807-000	025-31807-000	025-31807-000
*	78	DRAIN TUBE, VENT PIPE	028-15158-000	028-15158-000	028-15158-000
3	79	BAFFLE, BURNER BOX	---	---	---
*	80	GROMMET, MANIFOLD	028-12465-000	028-12465-000	028-12465-000
*	81	VENT PIPE ASSEMBLY	028-15159-000	028-15159-000	028-15159-000
*	82	DRAIN TUBE, VENT PIPE	028-15158-000	028-15158-000	028-15158-000
*	83	LOGO/BEZEL PLATE ASSEMBLY	373-23701-004	373-23701-004	373-23701-004

NOTE: *Not Shown
 New replacement parts shown in **bold** face type at the first printing of parts list dated 5/04.
 Major components and suggested stocking items are shown with shaded item number.
 "<" Across from row indicates a change in that row.
 --- Not applicable to specified model.

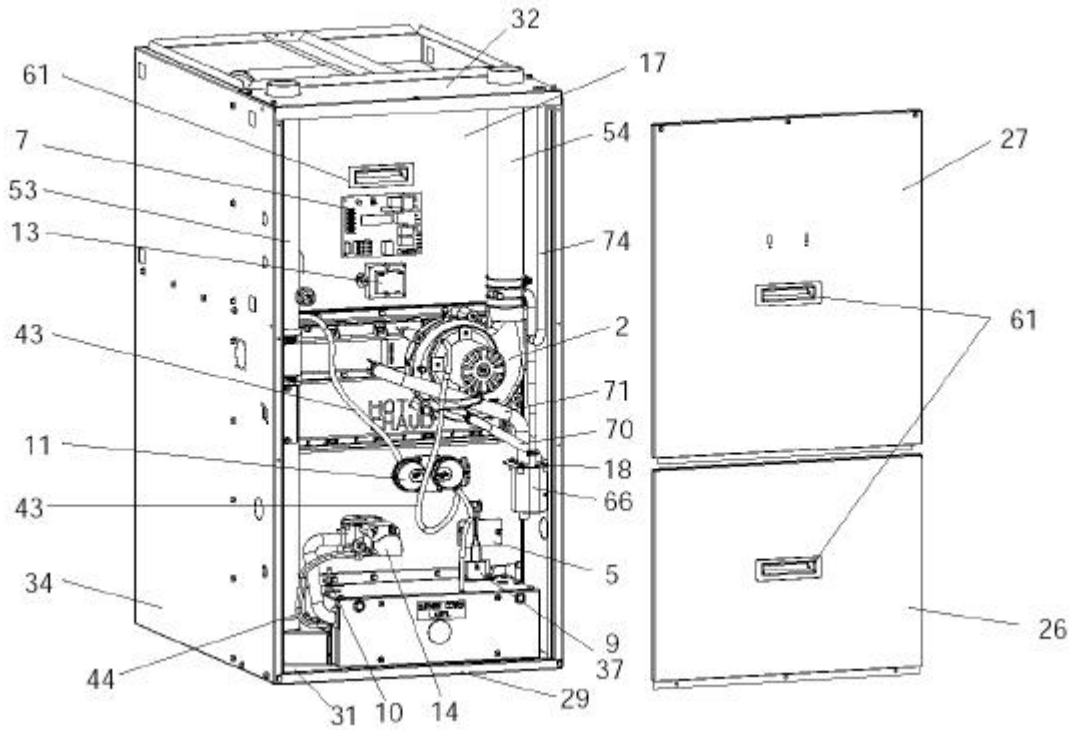


Figure 1: DOWNFLOW/HORIZONTAL NATURAL GAS FURNACES (91%)

FIG	ITEM	DESCRIPTION	GF9S100C16DH11G	GF9S100C20DH11G	GF9S120D20DH11G
			(5 BURNER)	(5 BURNER)	(6 BURNER)
MOTOR					
2	1	MOTOR, DIRECT DRIVE BLOWER	024-32055-000	024-32056-000	024-32056-000
1,2	2	MOTOR, INDUCER ASS'Y	024-34558-000	024-34558-000	024-34558-000
ELECTRICAL					
2	3	CAPACITOR, RUN (10MFD/370V)	024-20046-000	---	---
		CAPACITOR, RUN (15MFD/370V)	---	024-20446-000	024-20446-000
2	4	SWITCH, LIMIT (INDUCER)	025-38737-000	025-38737-000	025-38737-000
1,2	5	LIMIT, TEMPERATURE (Primary)	025-29041-011	025-29041-011	025-29041-012
2,3	6	LIMIT, FLAME ROLL-OUT	025-27792-001	025-27792-001	025-27792-001
1	7	CONTROL, FURNACE MODULE	031-01972-000	031-01972-000	031-01972-000
*	8	FUSE	025-32746-026	025-32746-026	025-32746-026
1,3	9	IGNITER	025-32625-000	025-32625-000	025-32625-000
1,3	10	SENSOR, FLAME	025-37499-000	025-37499-000	025-37499-000
1	11	SWITCH, PRESSURE	024-34562-000	024-34562-000	024-34562-000
*	12	SWITCH, DOOR	024-27640-000	024-27640-000	024-27640-000
1	13	TRANSFORMER	025-30889-000	025-30889-000	025-30889-000
ALL	14	VALVE, GAS	025-37426-000	025-37426-000	025-37426-000
AIR MOVING					
2	15	HOUSING, BLOWER	373-19816-751	373-19820-751	373-19820-751
2	16	WHEEL, BLOWER	026-19654-014	026-38510-000	026-38510-000

NOTE: *Not Shown

New replacement parts shown in **bold** face type at the first printing of parts list code dated 5/04.

Major components and suggested stocking items are shown with shaded item number.

"<" Across from row indicates a change in that row.

--- Not applicable to specified model.

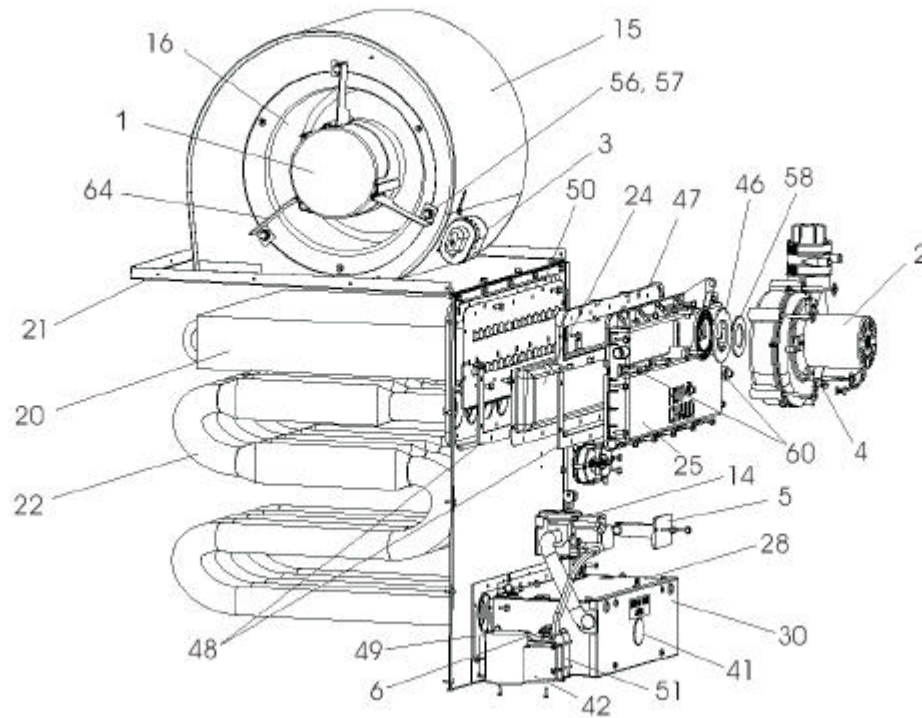


Figure 2: DOWNFLOW/HORIZONTAL NATURAL GAS FURNACES (91%)

FIG	ITEM	DESCRIPTION	GF9S100C16DH11G	GF9S100C20DH11G	GF9S120D20DH11G
			(5 BURNER)	(5 BURNER)	(6 BURNER)
FABRICATED PARTS					
1	17	PANEL, BLOWER COVER	073-19816-370	073-19816-370	073-19820-370
1	18	BRACKET, CONDENSATE TRAP	073-19811-001	073-19811-001	073-19811-001
3	19	BURNER, MAIN GAS	029-20482-000	029-20482-000	029-20482-000
2	20	COIL, CONDENSING	373-19816-801	373-19816-801	373-19820-801
2	21	SHELF, BLOWER	073-19816-222	073-19816-242	073-19820-222
2	22	HEAT EXCHANGER ASS'Y	373-19816-612	373-19816-612	373-19820-611
3	23	MANIFOLD, GAS	029-22253-050	029-22253-050	029-22253-060
2	24	SHIELD, PAN	073-19816-570	073-19816-570	073-19820-570
2	25	PAN, CONDENSATE	028-15152-000	028-15152-000	028-15153-000
1	26	PANEL, LOWER ACCESS	073-19863-033	073-19863-033	073-19863-034
1	27	PANEL, UPPER ACCESS	073-19816-121	073-19816-121	073-19820-121
2,3	28	WRAPPER, BURNER BOX	073-19811-750	073-19811-750	073-19811-760
1	29	CHANNEL, TOE PLATE	073-19863-043	073-19863-043	073-19863-044
2,3	30	COVER, GAS CONTROL	373-22155-004	373-22155-004	373-22155-005
1	31	PANEL, BOTTOM	073-19816-170	073-19816-170	073-19820-170
1	32	PANEL, TOP	073-19863-053	073-19863-053	073-19863-054
3	33	SUPPORT, BURNER	073-19811-350	073-19811-350	073-19811-360
1	34	WRAPPER, CABINET	373-19863-003	373-19863-005	373-19863-004
	35				
3	36	PLATE, DIFFUSER	073-19811-025	073-19811-025	073-19811-026
1,3	37	BRACKET, IGNITER	073-17403-000	073-17403-000	073-17403-000
*	38	BRACKET, DOOR SWITCH	073-19811-380	073-19811-380	073-19811-380
*	39	BRACKET, DOOR	073-19863-063	073-19863-063	073-19863-064
3	40	BOTTOM PANEL, BURNER BOX	073-19811-150	073-19811-150	073-19811-160

NOTE: *Not Shown

New replacement parts shown in **bold** face type at the first printing of parts list dated 5/04.

Major components and suggested stocking items are shown with shaded item number.

"<" Across from row indicates a change in that row.

--- Not applicable to specified model.



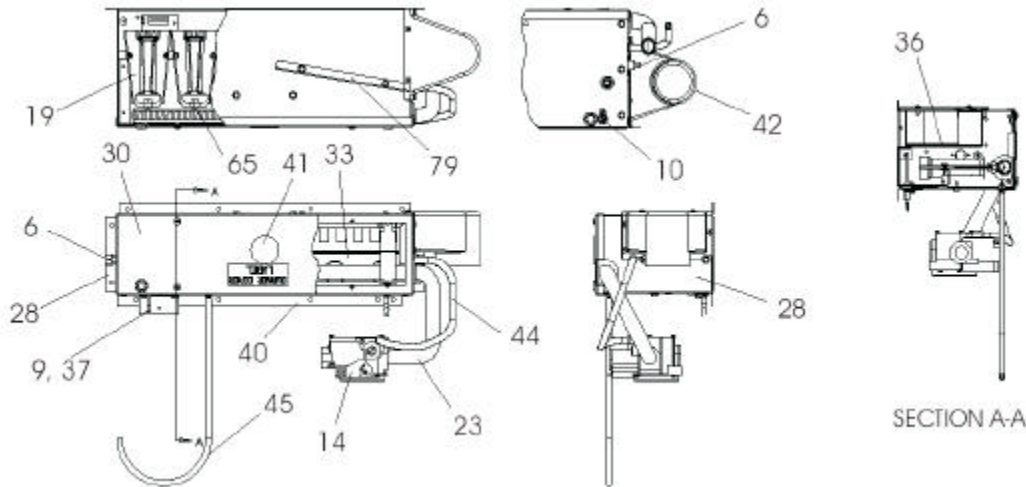


Figure 3: GAS CONTROLS (91%)

FIG	ITEM	DESCRIPTION	GF9S100C16DH11G	GF9S100C20DH11G	GF9S120D20DH11G
			(5 BURNER)	(5 BURNER)	(6 BURNER)
MISCELLANEOUS					
2,3	41	PLUG, WINDOW, CLEAR - 1.5"	025-37005-000	025-37005-000	025-37005-000
2,3	42	COMBUSTION AIR TRANSITION	028-15154-000	028-15154-000	028-15154-000
1	43	TUBING, SILICONE (Gray, .188 ID, 2.83 ft. Req'd)	028-12499-000	028-12499-000	028-12499-000
1,3	44	TUBING, SILICONE (Preformed)	028-15170-000	028-15170-000	028-15170-000
3	45	TUBING, SILICONE (Gray, .188 ID, 1.25 ft. Req'd)	028-12499-000	028-12499-000	028-12499-000
2	46	GASKET, COMBUSTION BLOWER	028-15177-000	028-15177-000	028-15177-000
2	47	GASKET, CONDENSATE PAN	028-14759-003	028-14759-003	028-14759-004
2	48	GASKET, UPPER CONDENSATE PAN (2 Req'd)	028-14774-000	028-14774-000	028-14775-000
2	49	GASKET, GAS CONTROLS	028-14772-105	028-14772-105	028-14772-106
2	50	GASKET, CONDENSER COIL	028-14760-003	028-14760-003	028-14760-004
2	51	GASKET, COMBUSTION AIR TRANSITION	028-15155-000	028-15155-000	028-15155-000
*	52	GASKET, MOUNTING BRKT (Burner Box)	028-13256-000	028-13256-000	028-13256-000
1	53	COMBUSTION AIR INTAKE ASSEMBLY	028-15167-000	028-15167-000	028-15167-000
1	54	VENT PIPE 2" X 15.25" LG.	028-15166-000	028-15166-000	028-15166-000
*	55	RUBBER SLEEVE 2.5" X 4" LG.	028-15162-000	028-15162-000	028-15162-000
2	56	GROMMET, MOTOR (3 Req'd)	028-14740-000	028-14740-000	028-14740-000
2	57	FERRULE (3 Req'd)	023-20541-000	023-20541-000	023-20541-000
2	58	COMBUSTION BLWR RESTRICTOR	028-15173-000	028-15173-000	028-15173-000
*	59	SPRING, DOOR	029-22119-000	029-22119-000	029-22119-000
2	60	WASHER, FLAT FIBERGLASS (2 Req'd)	028-14768-000	028-14768-000	028-14768-000
1	61	HANDLE, DOOR (3 Req'd)	028-14886-000	028-14886-000	028-14886-000
*	62	CLAMP, HOSE (2 Req'd)	021-18390-000	021-18390-000	021-18390-000
*	63	HARNNESS, MAIN WIRING	373-19811-540	373-19811-540	373-19811-540
2	64	MOUNT, 1 PC. MOTOR	073-19831-001	073-19831-001	073-19831-001
3	65	ORIFICE, BURNER (Natural #45)	029-21182-045	029-21182-045	029-21182-045
1	66	TRAP, CONDENSATE	028-14762-000	028-14762-000	028-14762-000
*	67	WIRING DIAGRAM	035-19941-001	035-19941-001	035-19941-001
*	68	45 DEG. STREET ELBOW, 2"	028-15161-000	028-15161-000	028-15161-000
*	69	DRAIN TUBE, CONDENSATE TRAP	028-13309-004	028-13309-004	028-13309-004
1	70	DRAIN TUBE, COMBUSTION BLOWER	028-15168-000	028-15168-000	028-15168-000
1	71	DRAIN TUBE, CONDENSATE PAN	028-15156-000	028-15156-000	028-15156-000
*	72	DRAIN TUBE, STRAIGHT 21" LG.	028-15169-001	028-15169-001	028-15169-001
*	73	DRAIN TUBE, RAIN GUTTER	028-15171-000	028-15171-000	028-15171-000
1	74	DRAIN HOSE ASSEMBLY	028-15176-000	028-15176-000	028-15176-000
*	75	LOCKNUT, CONDUIT (1/2")	025-32683-000	025-32683-000	025-32683-000
*	76	ADAPTER, INSERT	025-31808-000	025-31808-000	025-31808-000
*	77	BUSHING, THREADED	025-31807-000	025-31807-000	025-31807-000
*	78	DRAIN TUBE, VENT PIPE	028-15158-000	028-15158-000	028-15158-000
3	79	BAFFLE, BURNER	---	---	073-19811-005
*	80	GROMMET, MANIFOLD	028-12465-000	028-12465-000	028-12465-000
*	81	VENT PIPE ASSEMBLY	028-15159-000	028-15159-000	028-15159-000
*	82	DRAIN TUBE, VENT PIPE	028-15158-000	028-15158-000	028-15158-000
*	83	LOGO/BEZEL PLATE ASSEMBLY	373-23701-004	373-23701-004	373-23701-004

NOTE: *Not Shown

New replacement parts shown in **bold** face type at the first printing of parts list dated 5/04.

Major components and suggested stocking items are shown with shaded item number.

"<" Across from row indicates a change in that row.

--- Not applicable to specified model.

FIELD INSTALLED ACCESSORIES - NON-ELECTRICAL		
MODEL NO.	DESCRIPTION	USED WITH
1NP0347	PROPANE (LP) CONVERSION KIT	ALL MODELS
1CT0302	CONCENTRIC INTAKE/VENT 2"	60, 80, 100 INPUT MBH
1CT0303	CONCENTRIC INTAKE/VENT 3"	120 INPUT MBH
1PS0901	HIGH ALTITUDE PRESSURE SWITCH KIT (Does Not Include Orifices)	FOR APPLICATION INFORMATION SEE FORM 035-14447-000
1PS0902		
1PS0903		
1NK0301	CONDENSATE NEUTRALIZER KIT	ALL MODELS
1TK0917	TRANSITION KITS FOR COIL MOUNTING	17 1/2" CABINETS
1TK0921		21" CABINETS
1TK0924		24 1/2" CABINETS

FIELD INSTALLED ACCESSORIES - ELECTRICAL		
MODEL NO.	DESCRIPTION	USED WITH
6ET03700324	THERMOSTAT- Electronic Non-Programmable. One Heat/One Cool. Manual Changeover, Integral Sub-base. System Switch: Cool-Off-Heat, Fan Switch: Auto-On.	ALL MODELS
6ET03701024	THERMOSTAT- Electronic 7 Day Programmable. One Heat/One Cool. Auto Changeover, Integral Sub-base. System Switch: Cool-Off-Heat, Fan Switch: Auto-On. Power Stealing.	ALL MODELS
6ET03700024	(TS) THERMOSTAT- Electronic 7 Day Programmable. Two Heat/Two Cool. Auto Changeover, Integral Sub-base. System Switch: Cool-Off-Heat. Fan Switch: Auto-On.	ALL MODELS
6TH13701024	THERMOSTAT- Electronic 7 Day Programmable. Heating Only, One-stage Heat, No Fan Switch. Horizontal, Mercury Bulb	ALL MODELS

FIELD SERVICE KITS	
DESCRIPTION	PART NO.
Gas Pressure Test Kit without Tools	1PK0601
Gas Pressure Test Kit with Tools	1PK0602

TO ORDER AUTHORIZED FACTORY REPLACEMENT PARTS - Contact your Source1 HVAC Parts Distributor or visit our website at www.Source1Parts.com for a Distributor and Dealer listing.

Subject to change without notice. Printed in U.S.A.
Copyright © by York International Corp. 2004. All rights reserved.

035-20369-001 Rev. A (0504)
Supersedes: Nothing

**Unitary
Products
Group**

**5005
York
Drive**

**Norman
OK
73069**