

# REPLACEMENT PARTS

## DGD DOWNFLOW NATURAL GAS FURNACES (90+)

Supersedes: Nothing

e 650.65-RP1E (1295)

1 of 4  
035-13650

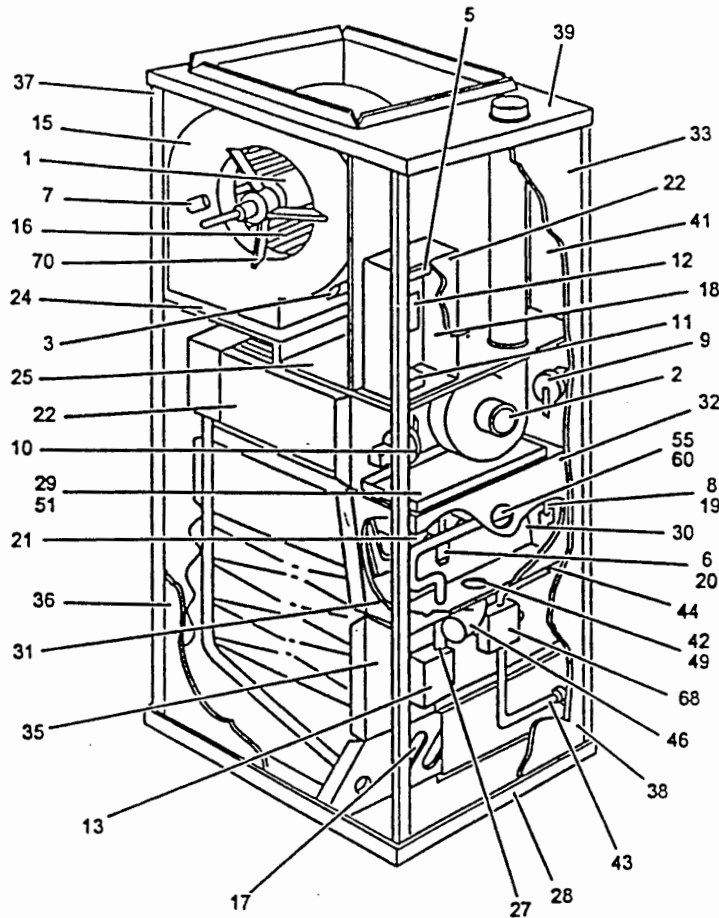


FIG. 1 - DOWNFLOW NATURAL GAS FURNACES (90+)


### MOTORS

FIG	ITEM	DESCRIPTION	DGD06010U (3 BURNERS)	DGD08012U (4 BURNERS)	DGD10016U (5 BURNERS)	DGD12020U (6 BURNERS)
1	<del>1</del> 3	MOTOR, DIRECT DRIVE BLOWER	024-25110-700	024-25113-700	024-23238-700	024-23238-700
1	<del>2</del> 2	MOTOR, VENTOR BLOWER (ASS'Y.)	373-14249-003	373-14249-002	373-14249-002	373-14249-002

### ELECTRICAL

1	<del>3</del> 3	CAPACITOR, RUN (10MFD/370V)	[RC]	- - -	024-20046-700	- - -	- - -
1	<del>3</del> 3	CAPACITOR, RUN (7.5MFD/370V)	[RC]	024-20045-000	- - -	- - -	- - -
1	<del>3</del> 3	CAPACITOR, RUN (15MFD/370V)	[RC]	- - -	- - -	024-20446-700	024-20446-700
*	<del>4</del> 4	CONTROL, FAN LIMIT	[LS]	025-29041-001	025-29093-002	025-29041-003	025-29041-004
1	<del>5</del> 5	CONTROL, FURNACE	[FC]	031-00662-700	031-00662-700	031-00662-700	031-00662-700
1	<del>6</del> 6	IGNITOR (HOT SURFACE)		025-31801-000	025-31801-000	025-31801-000	025-31801-000
1	<del>7</del> 7	SWITCH, AUX. LIMIT	[ALS]	025-28670-003	025-28670-002	025-28670-003	025-28670-003
1	<del>8</del> 8	SENSOR, FLAME		025-27773-700	025-27773-700	025-27773-700	025-27773-700
1	<del>9</del> 9	SWITCH, AIR PRESSURE (2LP)		024-25329-705	024-25329-703	024-25329-703	024-25329-702
1	<del>10</del> 10	SWITCH, AIR PRESSURE	[1LP]	024-25329-706	024-25329-701	024-25329-704	024-25329-706
1	<del>11</del> 11	SWITCH, CONTROL (DOOR)		024-25811-000	024-25811-000	024-25811-000	024-25811-000
1	<del>12</del> 12	TRANSFORMER	[1T]	025-19405-700	025-19405-700	025-19405-700	025-19405-700
1	<del>13</del> 13	VALVE, GAS		025-30251-700	025-30251-700	025-30251-700	025-30251-700
1	14	BOOT, RUBBER		028-04133-000	028-04133-000	028-04133-000	028-04133-000

NOTES: \* NOT SHOWN

MAJOR COMPONENTS AND SUGGESTED STOCKING ITEMS ARE SHOWN WITH SHADED ITEM NUMBER.   
 \*-< AT SIDE OF PAGE INDICATES CHANGE WAS MADE IN THAT ROW. OR \*-< ACROSS FROM MODEL NUMBER INDICATES ENTIRE PUBLICATION IS NEW.

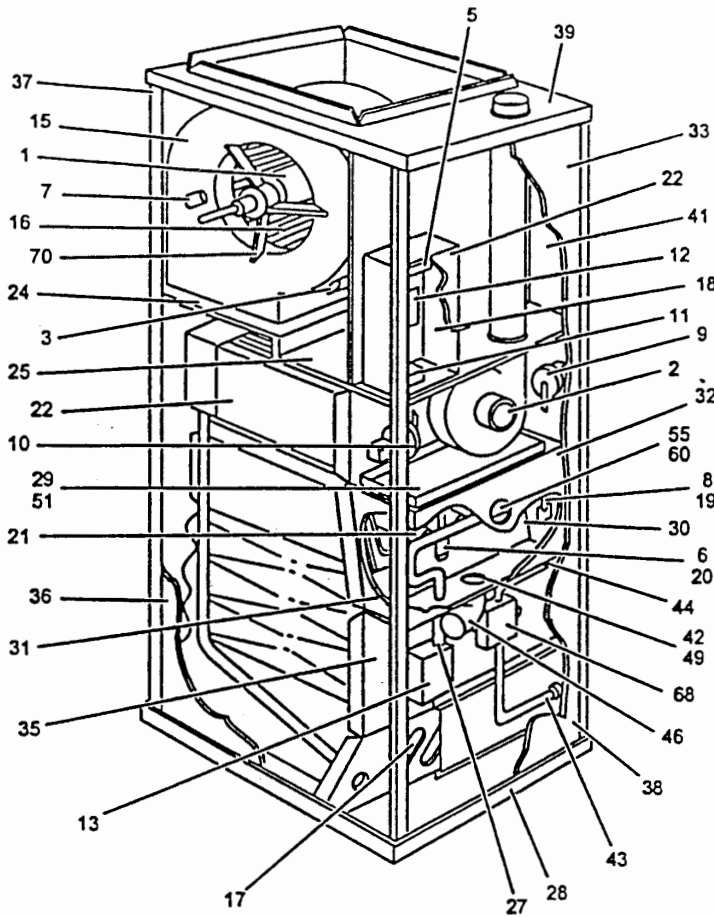


FIG. 1 - DOWNFLOW NATURAL GAS FURNACES (90+)

AIR MOVING

FIG	ITEM	DESCRIPTION	DGD06010U (3 BURNERS)	DGD08012U (4 BURNERS)	DGD10016U (5 BURNERS)	DGD12020U (6 BURNERS)
1	15	HOUSING, BLOWER	363-78000-003	363-78000-004	373-07612-000	373-06239-000
1	16	WHEEL, BLOWER	026-19654-707	026-19654-703	026-19654-705	026-19654-706

FABRICATED PARTS

1	17	BAFFLE, FLUE	063-93162-000	063-93162-000	063-93162-000	063-93162-000
1	18	BOX, CONTROL	073-06399-000	073-06399-000	073-06399-000	073-06399-000
1	19	BRACKET, FLAME SENSOR	073-10204-000	073-10204-000	073-10204-000	073-10204-000
1	20	BRACKET, HOT SURFACE IGNITOR	073-11278-000	073-11278-000	073-11278-000	073-11278-000
1	21	BURNER, MAIN GAS	029-20442-000	029-20442-000	029-20442-000	029-20442-000
*	22	COIL, HEAT RECOVERY	373-10479-001	373-10479-001	373-10479-002	373-100479-003
1	23	COVER, CONTROL BOX	073-06391-000	073-06391-000	073-06391-000	073-06391-000
1	24	DECK, BLOWER (REAR)	073-02945-000	073-03442-000	073-02946-000	073-05114-000
1	25	DECK, FRONT	073-06389-002	073-06389-002	073-06389-003	073-06389-004
1	26	HEAT EXCHANGER ASS'Y. (CELL)	063-90658-000	063-90658-000	063-90658-000	063-90658-000
1	27	MANIFOLD	029-20441-002	029-20441-003	029-20441-004	029-20441-005
1	28	PAN, BASE	073-06384-002	073-06384-002	073-06384-003	073-06384-004
1	29	PAN, CONDENSATE W/GASKET	373-15597-001	373-15597-001	373-15597-002	373-15597-002
1	30	PANEL, BURNER BOX (REAR)	073-06394-002	073-06394-003	073-06394-004	073-06394-005
1	31	WRAPPER, BURNER BOX	073-06393-002	073-06393-002	073-06393-003	073-06393-003
1	32	PANEL, BURNER BOX (FRONT)	073-06395-002	073-06395-002	073-06395-003	073-06395-003
1	33	PANEL, FRONT (BLOWER)	073-02947-001	073-02947-001	073-02947-002	073-02947-003
*	34	PANEL, HEAT SHIELD	073-07524-001	073-07524-001	073-07524-002	073-07524-003
1	35	PANEL, VESTIBULE	373-06383-103	373-06383-104	373-06383-105	373-06383-106
1	36	WRAPPER (LH)	373-05236-013	373-05236-013	373-05236-013	373-05236-013

NOTES: \* NOT SHOWN

MAJOR COMPONENTS AND SUGGESTED STOCKING ITEMS ARE SHOWN WITH SHADED ITEM NUMBER.

"<" AT SIDE OF PAGE INDICATES CHANGE WAS MADE IN THAT ROW. OR "<" ACROSS FROM MODEL NUMBER INDICATES ENTIRE PUBLICATION IS NEW.

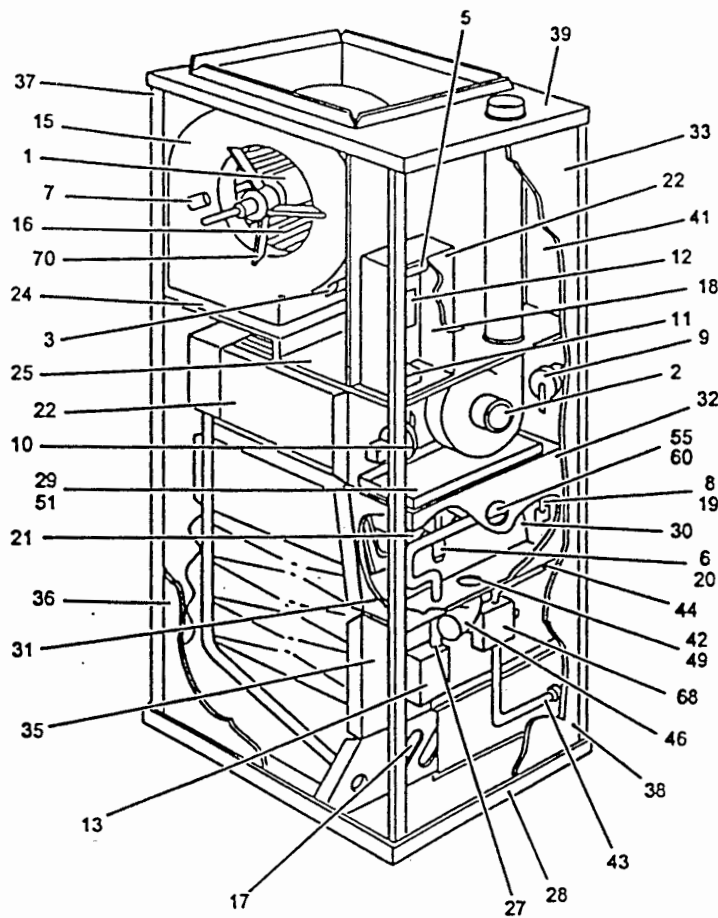


FIG. 1 - DOWNFLOW NATURAL GAS FURNACES (90+)

FABRICATED PARTS

FIG	ITEM	DESCRIPTION	DGD06010U (3 BURNERS)	DGD08012U (4 BURNERS)	DGD10016U (5 BURNERS)	DGD12020U (6 BURNERS)
1	37	WRAPPER (REAR)	373-05236-023	373-05236-023	373-05236-025	373-05236-026
1	38	PANEL, FRONT (BURNER)	073-15638-001	073-15638-001	073-15638-002	073-15638-003
1	39	PANEL, TOP	073-06400-002	073-06400-002	073-06400-003	073-06400-004
*	40	SUPPORT, BURNER	073-06396-002	073-06396-003	073-06396-004	073-06396-005
1	41	WRAPPER (RH)	373-05236-003	373-05236-003	373-05236-003	373-05236-003

MISC.

1	42	CONNECTOR, AIR INTAKE (BURNER BOX)	028-11289-000	028-11289-000	028-11289-000	028-11289-000
1	43	CONNECTOR, CONDENSATE	363-93255-000	363-93255-000	363-93255-000	363-93255-000
1	44	DRAIN, CONDENSATE TUBE	028-13206-000	028-13206-000	028-13207-000	028-13208-000
*	45	CONNECTOR, BARBED ELBOW	028-11617-000	028-11617-000	028-11617-000	028-11617-000
1	46	ELBOW, VENTER DISCHARGE	028-12110-000	028-12110-000	028-12110-000	028-12110-000
*	47	FILTER, AIR	026-23050-004	026-23050-004	026-23050-004	026-23050-004
			1 x 14 x 20	1 x 14 x 20	1 x 14 x 20	1 x 14 x 20
*	48	FILTER, RACK	362-93782-000	362-93782-000	362-93782-000	362-93782-000
1	49	GASKET, AIR INTAKE	028-11287-000	028-11287-000	028-11287-000	028-11287-000
*	50	GASKET, COMBUSTION BLOWER	028-12450-000	028-12450-000	028-12450-000	028-12450-000
1	51	GASKET, CONDENSATE PAN	028-12371-702	028-12371-702	028-12371-703	028-12371-703
*	52	GASKET, NEOPRENE (BURNER BOX) (FRONT)	028-12118-000	028-11218-000	028-11218-000	028-11218-000
*	53	GASKET, NEOPRENE (BURNER BOX) (REAR)	028-11647-000	028-11647-000	028-11647-000	028-11647-000
*	54	GROMMET, MANIFOLD SEAL	028-04859-900	028-04859-900	028-04859-900	028-04859-900
1	55	GROMMET, OBSERVATION PORT	028-11284-000	028-11284-000	028-11284-000	028-11284-000
*	56	ORIFICE, BURNER (NATURAL #45)	- - -	029-20338-003	- - -	- - -
*	56	ORIFICE, BURNER (NATURAL #46)	- - -	- - -	029-20338-007	029-20338-007
*	56	ORIFICE, BURNER (NATURAL #47)	029-20338-005	- - -	- - -	- - -

NOTES: \* NOT SHOWN  
MAJOR COMPONENTS AND SUGGESTED STOCKING ITEMS ARE SHOWN WITH SHADED ITEM NUMBER.  
\* < AT SIDE OF PAGE INDICATES CHANGE WAS MADE IN THAT ROW. OR \* < ACROSS FROM MODEL NUMBER INDICATES ENTIRE PUBLICATION IS NEW.