

# TABULAR DATA SHEET

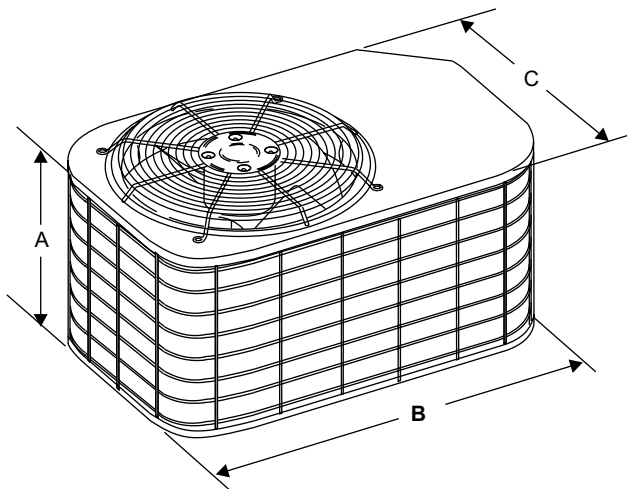
## Outdoor Split System Air Conditioner 1.5 Thru 5 Tons

**MODELS: BRCS018\* THRU 060\*  
10 SEER**

### Physical and Electrical Data

MODEL	BRCS0181BD	BRCS0241BD	BRCS0301BD	BRCS0361BD	BRCS0421BD	BRCS0481BD	BRCS0601BE	
Unit Supply Voltage	208/230 – 1 – 60							
Normal Voltage Range <sup>1</sup>	187 to 252							
Minimum Circuit Ampacity	12.5	15.6	17.5	21.5	26.1	30.1	37.3	
Max. Overcurrent Device Amps <sup>2</sup>	20	25	30	35	40	45	60	
Compressor Type <sup>3</sup>	Recip	Recip	Recip	Recip	Recip	Recip	Scroll <sup>B</sup>	
Compressor Amps	Rated Load	9.6	12.1	13.6	16.1	19.8	23	28.9
	Locked Rotor	54	57	73	82	97	110	160
Crankcase Heater	No	No	No	No	No	No	No	
Fan Motor Amps	Rated Load	0.5	0.5	0.5	1.4	1.4	1.3	1.3
Fan Diameter Inches	18	18	18	18	18	22	22	
Fan Motor	Rated HP	1/12	1/12	1/12	1/4	1/4	1/4	1/4
	Nominal RPM	1,100	1,100	1,100	1,100	1,100	850	850
	Nominal CFM	1,850	1,850	1,900	2,750	2,750	3,250	3,300
Coil	Face Area Sq. Ft.	8.00	8.00	9.15	9.15	12.58	15.72	15.72
	Rows Deep	1	1	1	1	1	1	1
	Fin / Inches	14	14	18	18	18	18	22
Liquid Line OD	3/8	3/8	3/8	3/8	3/8	3/8	3/8	
Vapor Line OD	5/8	5/8	3/4	3/4	3/4	7/8	7/8	
Unit Charge (Lbs. - Oz.) <sup>4</sup>	3 - 6	3 - 11	3 - 14	3 - 15	5 - 4	7 - 5	6 - 2	
Charge Per Foot, Oz.	0.66	0.66	0.68	0.68	0.68	0.70	0.70	
Operating Weight Lbs.	118	123	135	137	161	176	188	

1. Rated in accordance with ARI Standard 110, utilization range "A".
2. Dual element fuses or HACR circuit breaker.
3. All scrolls listed with a superscript "B" are Bristol scrolls. All scrolls listed with a superscript "C" are Copeland scrolls.
4. The Unit Charge is correct for the outdoor unit, matched indoor coil and 15 feet of refrigerant tubing. For tubing lengths other than 15 feet, add or subtract the amount of refrigerant, using the difference in length multiplied by the per foot value.



All dimensions are in inches. They are subject to change without notice. Certified dimensions will be provided upon request.

Unit Model	Dimensions (Inches)			Refrigerant Connection Line Size	
	A	B	C	Liquid	Vapor
018	17	35	23	3/8"	5/8"
024	17	35	23		
030	19	35	23		
036	19	35	23		3/4"
042	25	35	23		
048	27	37	27		
060	27	37	27		7/8"

1. Included Fan Guard
- \* Reducer Fan Guard

# R-22 SYSTEM CHARGING PROCEDURE

Additional R-22 Charge / Orifice Size for Various Matched Systems							
Outdoor Unit	BRCS0181BD	BRCS0241BD	BRCS0301BD	BRCS0361BD	BRCS0421BD	BRCS0481BD	BRCS0601BE
Unit Orifice (s) <sup>1</sup>	51,53,55	59,61,63	67	71,73,75	75,78,81	78,81,84,87	96
Factory R-22 Charge, lbs-oz	3 - 6	3 - 11	3 - 14	3 - 15	5 - 4	7 - 5	6 - 2
Indoor Coil	Coil Orifice <sup>2</sup>	System Orifice - Additional Charge, Oz					
G2FD024S(H)14/17	61	53 + 14	59 + 6	—	—	—	—
G2FD030S(H)17	65	53 + 23	59 + 8	67 + 3	—	—	—
G2FD035S(H)14	65	53 + 23	59 + 8	67 + 3	71 + 0	—	—
G2FD036S(H)17	75	—	59 + 12	67 + 6	71 + 3	—	—
G2FD036S(H)21	75	—	—	69 + 9	71 + 3	—	—
G2FD042S(H)21	78	—	—	—	71 + 7	75 + 1	—
G2FD046S17	78	—	—	—	71 + 7	75 + 1	78 + 6
G2FD048S(H)21/24	78	—	—	—	—	75 + 9	81 + 15
G2FD060S(H)24	90	—	—	—	—	78 + 14	81 + 20 96 + 6
G1HD024	59	55 + 6	61 + 1	—	—	—	—
G1HD036	69	—	63 + 7	67 + 7	73 + 9	—	—
G1HD048	81	—	—	—	73 + 15	78 + 8	78 + 9
G1HD060	93	—	—	—	—	—	81 + 16 96 + 1
G1FA/G1UA024S14/17	59	55 + 3	59 + 0	—	—	—	—
G1FA/G1UA030S14	65	53 + 14	59 + 6	65 + 0	—	—	—
G1FA/G1UA036S14	73	—	59 + 4	67 + 4	73 + 0	—	—
G1FA/G1UA03617/21	73	—	59 + 4	67 + 2	73 + 0	—	—
G1FA/G1UA048S17	84	—	—	—	75 + 11	75 + 1	81 + 13
G1FA/G1UA048S21/24	84	—	—	—	75 + 11	81 + 7	81 + 13
G1FA/G1UA060S24	90	—	—	—	—	81 + 14	81 + 20 96 + 6
G1NA024S17G	51	51 + 0	—	—	—	—	—
G1NA030S17H	57	—	57 + 0	—	—	—	—
G1NA030S17K	63	—	—	63 + 4	—	—	—
G1NA030S21B	57	—	57 + 0	—	—	—	—
G1NA030S21M	63	—	—	63 + 4	—	—	—
G1NA036S17J	67	—	—	—	67 + 7	—	—
G1NA036S21C	67	—	—	—	67 + 7	—	—
G1NA048S21D	78	—	—	—	—	78 + 0	78 + 4
G1NA048S24P	78	—	—	—	—	78 + 0	78 + 4
G1NA060S24T	87	—	—	—	—	—	96 + 0
G1NF024SOF	63	—	57 + 0 <sup>3</sup>	63 + 4 <sup>3</sup>	—	—	—
G1NF036SOF	67	—	—	—	67 + 7 <sup>3</sup>	—	—
G1NF048SOF	78	—	—	—	—	78 + 0 <sup>3</sup>	78 + 4 <sup>3</sup>
G1NF060SOF	87	—	—	—	—	—	96 + 11
F2RP/F2FP018	53	51 + 0	—	—	—	—	—
F2RC/F2FC024	61	55 + 3	—	—	—	—	—
F2RP/F2FP024	61	55 + 6	61 + 0	—	—	—	—
F2RP/F2FP030	65	—	61 + 2	67 + 2	—	—	—
F2RC/F2FC036	75	—	—	—	71 + 0	—	—
F2RP/F2FP036	75	—	—	67 + 8	73 + 4	—	—
F2RP/F2FP042	78	—	—	—	73 + 8	75 + 1	—
F2FP048	84	—	—	—	—	73 + 8	87 + 6
F2FP060	90	—	—	—	—	—	87 + 10 96 + 6
MDD30BSD	57	—	57 + 0	—	—	—	—
MDD30MSD	63	—	—	63 + 4	—	—	—
MDD42CSD	67	—	—	—	67 + 7	—	—
MDD48DSD	78	—	—	—	—	78 + 0	78 + 4

**FOOTNOTES:**

1. These orifices are packed in the customer packet of each outdoor unit.
2. These orifices are factory mounted in the flow control device of each indoor coil.
3. Systems matched with furnaces or air handlers not equipped with blower-off delays, may require blower Time Delay Kit #6918A5011.

**PROCEDURES:**

1. Unit factory charge listed on the unit nameplate includes refrigerant for the condenser, the smallest evaporator and for 15 feet of interconnecting line tubing.
2. Verify the orifice size and additional charge required for specific evaporator coil in the system using the above table.
3. Additional charge for the amount of interconnecting line tubing greater than 15 feet at the rate specified in the table above.
4. Permanently mark the unit nameplate with the total system charge. Total System Charge = Base Charge (as shipped) + adder for evaporator + adder for line set.
5. If the orifice in the evaporator was changed, verify the evaporator nameplate has been marked with the correct orifice size.

Subject to change without notice. Printed in U.S.A.

Copyright © by York International Corp. 2002. All rights reserved.

035-15784-005 Rev. A (0402)

Supersedes: 035-15784-004 Rev. C (202)

**Unitary  
Products  
Group**

**5005  
York  
Drive**

**Norman  
OK  
73069**