



www.Source1Parts.com

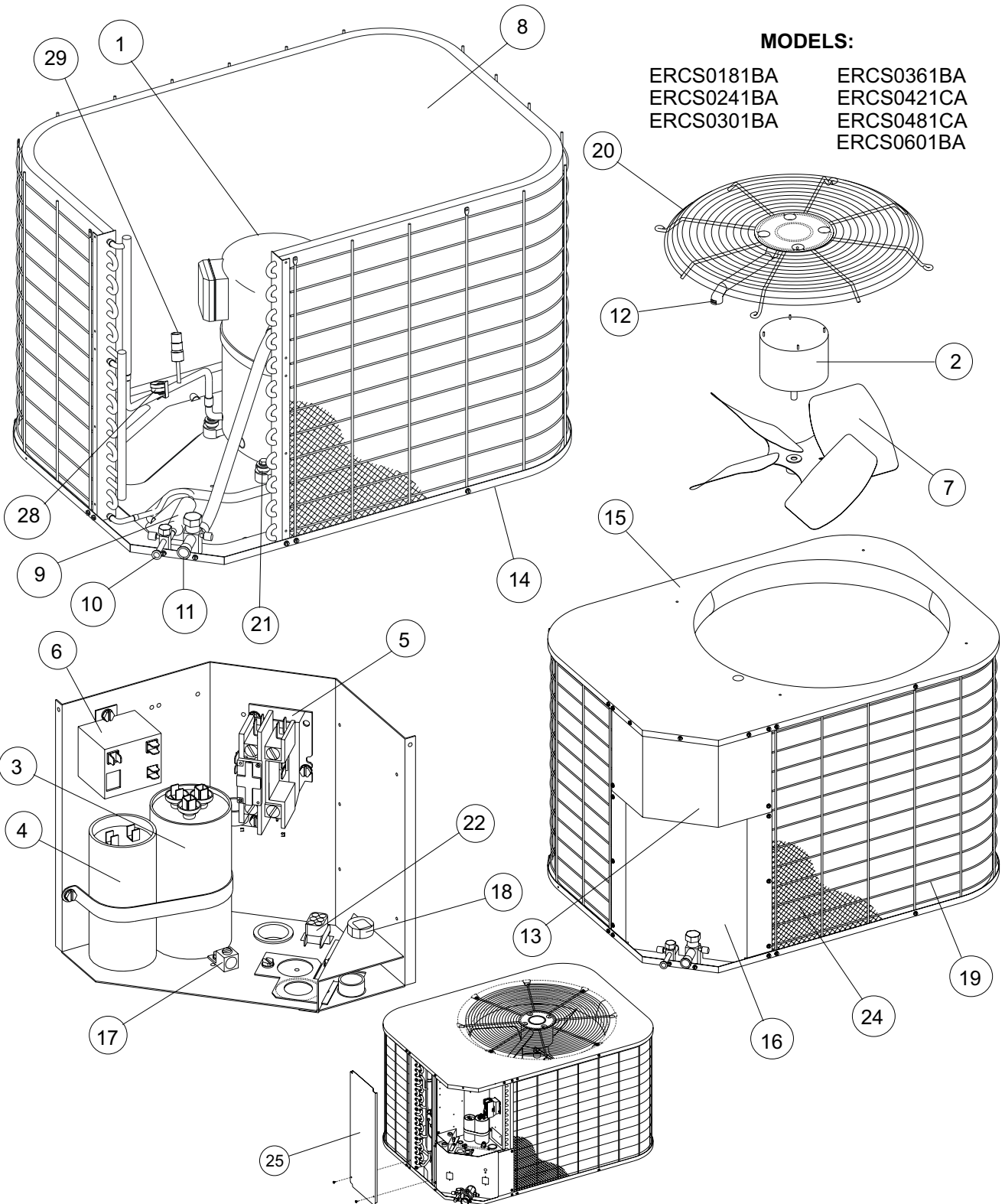
HVAC SERVICE PARTS

# ERCS SERIES, 13 SEER AIR CONDITIONER

Supersedes:035-17714-001 Rev. C (0603)

035-17714-001 Rev. D (0104)

1 of 4



### MODELS:

ERCS0181BA  
 ERCS0241BA  
 ERCS0301BA

ERCS0361BA  
 ERCS0421CA  
 ERCS0481CA  
 ERCS0601BA

48 & 60 ONLY

**Models 18, 24, 30, and 36**

ITEM	DESCRIPTION	ERCS0181BA	ERCS0241BA	ERCS0301BA	ERCS0361BA
1	Compressor, Hermetic	015-03426-004	015-03428-004	015-03431-001	015-03423-001
1A*	Compressor Plug Harness	025-31884-000	025-31884-000	025-31884-000	025-31884-000
2	Motor, Direct Drive Fan	024-26029-000	024-26029-000	024-26029-000	024-27596-000
3	Capacitor, Run (30/5MFD) [RC] Capacitor, Run (35/5MFD) [RC]	024-24778-000 ---	024-24778-000 ---	--- 024-23998-000	--- 024-23998-000
4	Capacitor, Start	024-25062-000	024-25062-000	024-25071-000	1497-1451
5	Contact, Electrical (30 AMP) [M]	024-27531-000	024-27531-000	024-27531-000	024-27531-000
6	Relay, Start	024-25916-000	024-25916-000	024-25391-000	024-25391-000
7	Blade, Fan (22")	026-34097-000	026-34097-000	026-34097-000	026-34094-000
8	Coil, Condenser	373-19800-004	373-19800-004	373-19800-019	373-19800-020
9	Drier, Filter	029-22156-000	029-22156-000	029-22157-000	029-22157-000
10	Valve, Liquid (3/8")	025-31899-000	025-31899-000	025-31899-000	025-31899-000
11	Valve, Suction (3/4") Valve, Suction (7/8")	025-31900-000 ---	025-31900-000 ---	--- 025-31901-000	--- 025-31901-000
12	Wireway	028-13216-000	028-13216-000	028-13216-000	028-13216-000
13	Cover, Electrical Box	2218-1151/A	2218-1151/A	2218-1151/A	2218-1151/A
14	Pan, Base	2260-1011	2260-1011	2260-1011	2260-1011
15	Panel, Top	2260-1021/A	2260-1021/A	2260-1021/A	2260-1021/A
16	Plate, Blockoff	2248-1081/B	2248-1081/B	3948-1081/B	2660-1081/B
17	Lug, Ground	025-21798-000	025-21798-000	025-21798-000	025-21798-000
18	Relief, Strain	025-09687-000	025-09687-000	025-09687-000	025-09687-000
19	Guard, Coil	<b>373-20091-010</b>	<b>373-20091-010</b>	<b>373-20091-012</b>	<b>373-20091-013</b>
20	Guard, Fan	026-35511-022	026-35511-022	026-35511-022	026-35511-022
21	Mount, Cushion (Pkg. of 4)	9435-1081	9435-1081	9435-1081	9435-1081
22	Plug, Electrical	025-33306-006	025-33306-006	025-33306-006	025-33306-006
23*	Diagram, Wiring	035-15861-501	035-15861-501	035-15861-501	035-15861-501
24	Coil Guard, Plastic Mesh	028-14728-000	028-14728-000	028-14731-000	028-14733-000
25	Panel, Filler	---	---	---	---
26*	Heater, Crankcase	---	---	1450-9511	---
27*	Kit, Acorn Nut	363-90117-700	363-90117-700	363-90117-700	363-90117-700
28	Switch, High Temperature	---	---	---	---
29	Switch, High Pressure	---	---	---	---

**NOTE:** \*Not Shown

New replacement parts shown in **bold** face type at the first printing of parts list dated 1/04.

Major components and suggested stocking items are shown with shaded item number.

"<" Across from row indicates a change in that row.

--- Not applicable to specified model.



**Models 42, 48, and 60**

ITEM	DESCRIPTION	ERCS0421CA	ERCS0481CA	ERCS0601BA
1	Compressor, Hermetic	015-02764-004	015-02773-004	015-02967-004
1A*	Compressor Plug Harness	025-31884-000	025-31884-000	---
2	Motor, Direct Drive Fan	024-27596-000	024-27596-000	024-32029-000
3	Capacitor, Run (50/5MFD-370V) [RC]	024-25338-000	---	---
	Capacitor, Run (60/5) [RC]	---	024-25033-000	---
	Capacitor, Run (60/10) [RC]	---	---	024-32030-000
4	Capacitor, Start	---	---	024-25062-000
5	Contact, Electrical (30 Amp) [M]	024-27531-000	024-27531-000	024-27531-000
6	Relay, Start	---	---	024-25035-000
7	Blade, Fan (22")	026-34094-000	---	---
	Blade, Fan (24")	---	026-35437-000	026-35491-000
8	Coil, Condenser	373-19800-008	373-19014-404	373-19014-404
9	Drier, Filter	026-34095-000	026-34095-000	026-34095-000
10	Valve, Liquid (3/8")	025-31899-000	025-31899-000	025-31899-000
11	Valve, Suction (7/8")	025-31901-000	025-31901-000	---
	Valve, Suction (1 1/8")	---	---	023-18363-000
12	Wireway	028-13216-000	028-13297-000	028-13297-000
13	Cover, Electrical Box	2218-1151/A	073-19009-101	073-19009-101
14	Pan, Base	2260-1011	073-19001-000	073-19001-000
15	Panel, Top	2260-1021/A	073-19002-101	073-19002-101
16	Plate, Blockoff	2660-1081/B	073-19008-136	073-19008-136
17	Lug, Ground	025-21798-000	025-21798-000	025-21798-000
18	Relief, Strain	025-09687-000	025-09687-000	025-09687-000
19	Guard, Coil	<b>373-20091-013</b>	<b>373-20091-023</b>	<b>373-20091-023</b>
20	Guard, Fan	026-35511-022	026-35511-024	026-35511-024
21	Mount, Cushion (4 Req'd)	028-12355-000	028-12355-000	028-10190-000
22	Plug, Electrical	025-33306-006	025-33306-006	025-33306-006
23*	Diagram, Wiring	035-15861-501	035-15861-501	035-15861-501
24	Coil Guard, Plastic Mesh	028-14733-000	028-14734-000	028-14734-000
25	Panel, Filler	---	073-19007-136	073-19007-136
26*	Heater, Crankcase	---	---	---
27*	Kit, Acorn Nut	363-90117-700	363-90117-700	363-90117-700
28	Switch, High Temperature	025-31926-000	---	025-31927-000
29	Switch, High Pressure	---	---	025-33305-048

**NOTE:** \*Not Shown

New replacement parts shown in **bold** face type at the first printing of parts list dated 1/04.

Major components and suggested stocking items are shown with shaded item number.

"<" Across from row indicates a change in that row.

--- Not applicable to specified model.

<b>Field Installed Accessories - Non-Electrical</b>		
<b>Part Number</b>	<b>Description</b>	<b>Used With</b>
010-04621-000	Sound Blanket	018, 024, 030, 036
010-06234-000	Sound Blanket	042, 048
010-06243-000	Sound Blanket	060
2LA06700224	Low Ambient Kit	All Models
2PS06700324	Pressure Switch Kit	All Models

**TO ORDER AUTHORIZED FACTORY REPLACEMENT PARTS** - Contact your Source1 HVAC Parts Distributor or visit our website at [www.Source1Parts.com](http://www.Source1Parts.com) for a Distributor and Dealer listing.