



www.Source1Parts.com

HVAC SERVICE PARTS

ERHQ SERIES - 13 SEER X3 HEAT PUMP (R22) QUICK CONNECT (STYLE A)

Supersedes:Nothing

035-20803-001 Rev. A (0905)

1 of 2

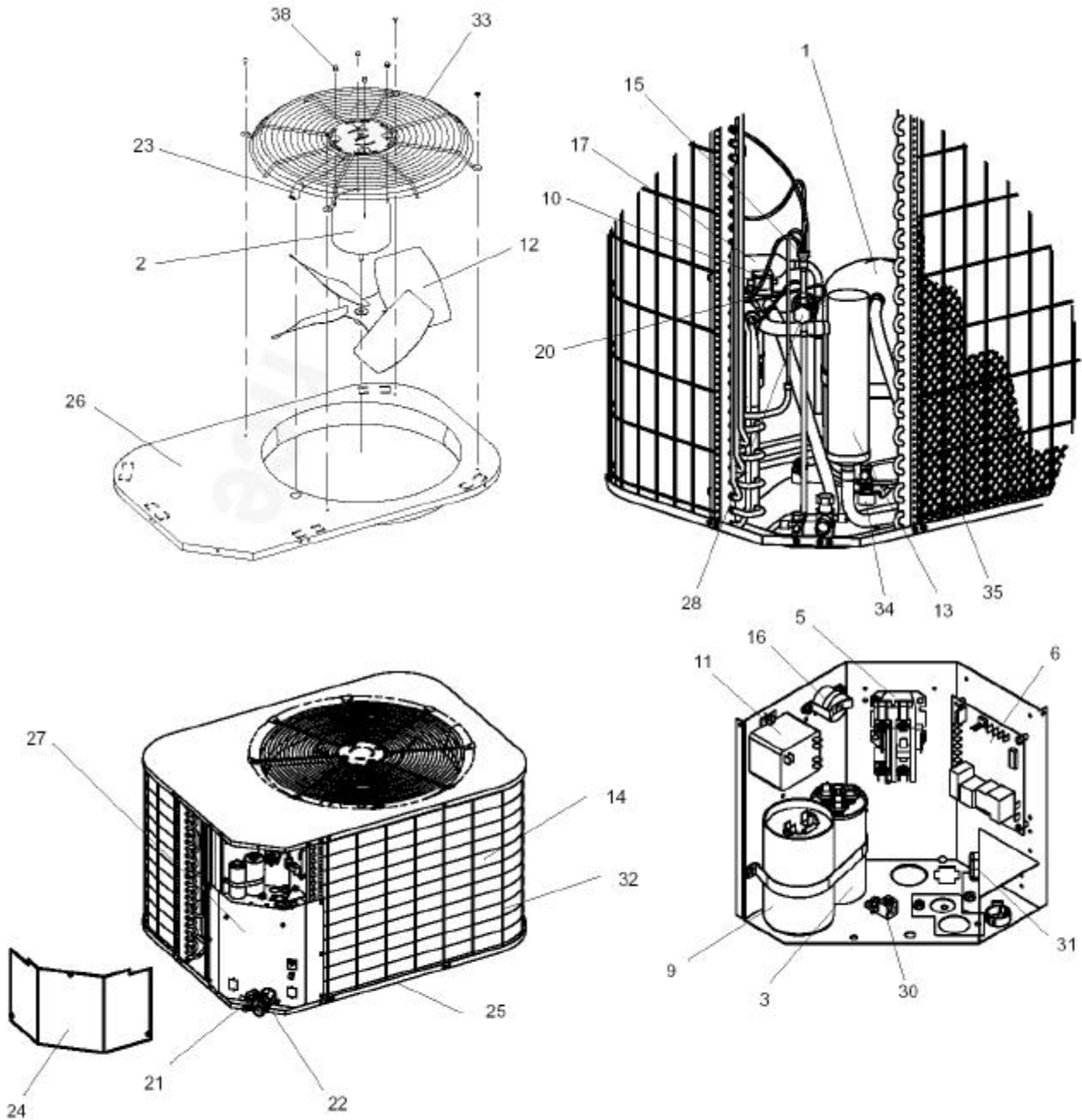


FIG	ITEM	DESCRIPTION	ERHQ0241BAA	ERHS0301BAA	<
1	1	Compressor	015-03813-000	015-03811-000	
*	1A	Harness, Compressor	025-31884-000	025-31884-000	
1	2	Motor, Fan	024-27596-000	024-27596-000	
1	3	Capacitor, Run (25/5MFD) [RC]	024-23997-000	---	
		Capacitor, Run (35/5MFD) [RC]	---	024-23998-000	
*	4	Sensor, Temperature	025-32701-016	025-32701-016	
1	5	Contact, Electrical (30 amp) [M]	024-27531-000	024-27531-000	
1	6	Control, Defrost	031-01975-102	031-01975-102	
*	7	Control, Pressure	025-33305-048	025-33305-048	
*	8	Sensor, Liquid Replacement	031-01276-000	031-01276-000	
1	9	Capacitor, Start	024-25062-000	024-25071-000	
1	10	Coil, Solenoid	025-38948-000	025-38948-000	
*	11	Relay, Start	024-25916-000	024-25391-000	
1	12	Blade, Fan	026-34593-000	026-34593-000	
1	13	Accumulator	026-34089-000	026-34090-000	
1	14	Coil, Condenser	373-23787-002	373-23787-003	
1	15	Distributor (.050 Orifice)	---	022-09080-000	
		Distributor Assembly	025-33424-233	---	
*	16	Switch Heater Limit	---	025-31924-000	
	17				
*	18	Filter Drier	1458-0011	6536-3341	
	19				
1	20	Valve, Reversing	025-38945-000	025-38945-000	
1	21	Valve, One Shot Process (3/8")	3924-3021	3924-3021	
1	22	Valve, One Shot Process (3/4")	3924-3051	---	
		Valve, One Shot Process (7/8")	---	3948-3051	
1	23	Wireway, (Electric Channel)	028-13216-001	028-13216-001	
1	24	Cover, Electric Box	073-20018-001	073-20018-001	
1	25	Base, Pan	073-20004-801	073-20004-801	
1	26	Panel, Top	073-20042-801	073-20042-801	
1	27	Plate, Block-Off	073-23791-001	073-23791-002	
1	28	TXV	025-38907-000	---	
*	29	Harness, Solenoid Coil	1456-9771	1456-9771	
1	30	Ground Lug	025-21798-000	025-21798-000	
1	31	Strain Relief	1216-243	1216-243	
1	32	Guard, Coil (1 Req'd)	373-23790-002	373-23790-007	
1	33	Guard, Fan	026-35511-822	026-35511-822	
1	34	Isolator, Compressor (Pkg. of 4)	9435-1081	9435-1081	
1	35	Plastic Mesh, Coil Guard	028-15241-000	028-15240-000	
*	36	Fastener, Push-in (4 Req'd)	021-18381-000	021-18381-000	
*	37	Diagram, Wiring	125830	125830	
1	38	Kit, Motor Mounting (Acorn Nuts)	363-90117-700	363-90117-700	
*	39	Logo/Bezel Plate Assembly	373-23701-001	373-23701-001	

NOTE: *Not ShownNew replacement parts shown in **bold** face type at the first printing of parts list dated 9/05.

Major components and suggested stocking items are shown with shaded item number.

"←" Across from row indicates a change in that row.

--- Not applicable to specified model.

Refer to Tech Guide for proper selection of orifice.

TO ORDER AUTHORIZED FACTORY REPLACEMENT PARTS - Contact your Source1 HVAC Parts Distributor or visit our website at www.Source1Parts.com for a Distributor and Dealer listing.