



INSTALLATION AND SERVICE MANUAL

gas-fired unit heaters

model WGH



All models approved for use in California by the CEC, in New York by the MEA division, and in Massachusetts. Unit heater is certified for residential and commercial applications.

FOR YOUR SAFETY

The use and storage of gasoline or other flammable vapors and liquids in open containers in the vicinity of this appliance is hazardous.

! WARNING

Improper installation, adjustment, alteration, service or maintenance can cause property damage, injury or death, and could cause exposure to substances which have been determined by various state agencies to cause cancer, birth defects or other reproductive harm. Read the installation, operating and maintenance instructions thoroughly before installing or servicing this equipment.

! CAUTION

To prevent premature heat exchanger failure do not locate ANY gas-fired units in areas where chlorinated, halogenated or acid vapors are present in the atmosphere.

FOR YOUR SAFETY

WHAT TO DO IF YOU SMELL GAS:

1. Open windows.
2. Do not try to light any appliance.
3. Do not touch any electrical switch; do not use any phone in your building.
4. Immediately call your gas supplier from a neighbor's phone. Follow the gas supplier's instructions. If you can not reach your gas supplier, call your fire department.

IMPORTANT

The use of this manual is specifically intended for a qualified installation and service agency. All installation and service of these units must be performed by a qualified installation and service agency.

Inspection on Arrival

1. Inspect unit upon arrival.
2. Check rating plate on unit to verify that power supply meets available electric power at the point of installation.
3. Inspect unit upon arrival for conformance with description of product ordered (including specifications where applicable).

For technical assistance and Warranty Administration, contact Hamilton Home Products at 1.800.879.0123. Do not return equipment to the home center.

Table of Contents

| | |
|---|----|
| Inspection on Arrival | 1 |
| Special Precautions | 2 |
| SI (Metric) Conversion Factors | 3 |
| Unit Location | 3 |
| Combustible Material and Service Clearances | 3 |
| Unit Mounting | 4 |
| Unit Installation | 6 |
| Venting | 5 |
| Gas Connections | 10 |
| Electrical Connections | 11 |
| Checking Input Rate | 12 |
| Unit Components | 14 |
| Dimensions | 16 |
| Service/Trouble Shooting | 17 |
| Wiring | 21 |
| Warranty | 35 |

SPECIAL PRECAUTIONS/TABLE OF CONTENTS

SPECIAL PRECAUTIONS

THE INSTALLATION AND MAINTENANCE INSTRUCTIONS IN THIS MANUAL MUST BE FOLLOWED TO PROVIDE SAFE, EFFICIENT AND TROUBLE-FREE OPERATION. IN ADDITION, PARTICULAR CARE MUST BE EXERCISED REGARDING THE SPECIAL PRECAUTIONS LISTED BELOW. FAILURE TO PROPERLY ADDRESS THESE CRITICAL AREAS COULD RESULT IN PROPERTY DAMAGE OR LOSS, PERSONAL INJURY, OR DEATH. THESE INSTRUCTIONS SUBJECT TO ANY MORE RESTRICTIVE LOCAL OR NATIONAL CODES.

HAZARD INTENSITY LEVELS

1. **DANGER:** Indicates an imminently hazardous situation which, if not avoided, WILL result in death or serious injury.
2. **WARNING:** Indicates a potentially hazardous situation which, if not avoided, COULD result in death or serious injury.
3. **CAUTION:** Indicates a potentially hazardous situation which, if not avoided, MAY result in minor or moderate injury.
4. **IMPORTANT:** Indicates a situation which, if not avoided, MAY result in a potential safety concern.

DANGER

Appliances must not be installed where they may be exposed to a potentially explosive or flammable atmosphere.

WARNING

1. Gas fired heating equipment must be vented - do not operate unvented.
2. A built-in power exhauster is provided - additional external power exhausters are not required or permitted.
3. All field gas piping must be pressure/leak tested prior to operation. Never use an open flame. Use a soap solution or equivalent for testing.
4. Gas pressure to appliance controls must never exceed 14" W.C. (1/2 psi).
5. Disconnect power supply before making wiring connections to prevent electrical shock and equipment damage.
6. All appliances must be wired strictly in accordance with wiring diagram furnished with the appliance. Any wiring different from the wiring diagram could result in a hazard to persons and property.
7. Any original factory wiring that requires replacement must be replaced with wiring material having a temperature rating of at least 105°C.
8. When servicing or repairing this equipment, use only factory-approved service replacement parts. A complete replacements parts list may be obtained by contacting the factory. Refer to the rating plate on the appliance for complete appliance model number, serial number, and company address. Any substitution of parts or controls not approved by the factory will be at the owners risk.
9. If you are replacing an existing heater, it may be necessary to resize the venting systems. Improperly sized venting systems can result in vent gas leakage or the formation of condensate. Refer to the National Fuel Gas Code ANSI Z223.1 or CAN/CGA B149.1 or .2 latest edition. Failure to follow these instructions can result in injury or death.
10. To reduce the opportunity for condensation, the minimum sea level input to the appliance, as indicated on the serial plate, must not be less than 5% below the rated input, or 5% below the minimum rated input of dual rated units.
11. Ensure that the supply voltage to the appliance, as indicated on the serial plate, is not 5% greater than the rated voltage.

CAUTION

1. Installation must conform with local building codes or in the absence of local codes, with Part 7, Venting of Equipment, of the National Fuel Gas Code, ANSI Z223.1 (NFPA 54) - latest edition. In Canada installation must be in accordance with CAN/CGA-B149.1 for natural gas units, and CAN/CGA-B149.2 for propane units.
2. Consult piping, electrical, and venting instructions in this manual before final installation.
3. Turn off all gas before installing appliance.
4. Do not locate units in tightly sealed rooms or small compartments (commonly referred to as confined spaces) without provisions for adequate combustion air and venting. Combustion air must have access to the confined space through a minimum of two permanent openings in the enclosure, at least one near the bottom. They should provide a free area of one square inch per 10,000 BTU/Hr input rating of the unit with a minimum of 100 square inches for each opening, whichever is greater.
5. When leak testing the gas supply piping system, the appliance and its combination gas control must be isolated during any pressure testing in excess of 14" W.C. (1/2 psi).
6. Check the gas inlet pressure at the unit upstream of the combination gas control. The inlet pressure should be 6-7" W.C. on natural gas or 12-14" W.C. on propane. If inlet pressure is too high, install an additional pressure regulator upstream of the combination gas control.
7. Purging of air from gas supply line should be performed as described in ANSI Z223.1 - latest edition "National Fuel Gas Code", or in Canada in CAN/CGA-B149 codes.
8. The minimum distance from combustible material is based on the combustible material surface not exceeding 160°F. Clearance from the top of the unit may be required to be greater than the minimum specified if heat damage, other than fire, may occur to materials above the unit heater at the temperature described.
9. Do not attempt to reuse any mechanical or electronic ignition controllers which has been wet. Replace defective controller.
10. Do not install unit outdoors.
11. Servicing or repairing of this equipment must be performed by a qualified service agency.
12. Do not install units below 7' measured from the bottom of the unit to the floor in commercial applications and 5' measured from the bottom of the unit to the floor in residential applications.
13. Be sure no obstructions block air intake and discharge of unit heaters.
14. Allow 18" of clearance at rear (or 6" beyond end of motor at rear of unit, whichever is greater) and access side to provide ample air for combustion and proper operation of fan.
15. Installation of units in high humidity or salt water atmospheres will cause accelerated corrosion resulting in a reduction of the normal life of the units.
16. The unit should be isolated from the gas supply piping system by closing its field installed manual shut-off valve. This manual shut-off valve should be located within 6' of the heater.
17. In aircraft hangars, keep the bottom of the unit at least 10' from the highest surface of the wings of engine enclosure of the highest aircraft housed in the hangars and in accordance with the requirements of the enforcing authority and/or NFPA 409-latest edition.

SPECIAL PRECAUTIONS / SI (METRIC) CONVERSION FACTORS / UNIT LOCATION

⚠ CAUTION

18. In commercial garages or other sections of aircraft hangars such as offices and shops which communicate with areas used for servicing or storage, keep the bottom of the unit at least 7' above the floor. In public garages, the unit must be installed in accordance with the Standard for Parking Structures NFPA 88A and the Standard for Repair Garages NFPA 88B. In Canada, installation of unit heater in airplane hangars must be in accordance with the requirements of the enforcing authority, and in public garages in accordance with the current CAN/CGA-B149 codes.
19. Low profile heaters are designed for use in heating applications with ambient temperatures between -40°F and 90°F.
20. All literature shipped with this unit should be kept for future use for servicing or service diagnostics. Do not discard any literature shipped with this unit.
21. Ensure that the supply voltage to the appliance, as indicated on the serial plate, is not 5% less than the rated voltage.

IMPORTANT

1. To prevent premature heat exchanger failure, do not locate ANY gas-fired appliances in areas where corrosive vapors (i.e. chlorinated, halogenated or acid) are present in the atmosphere.
2. To prevent premature heat exchanger failure, the input to the appliance as indicated on the serial plate, must not exceed the rated input by more than 5%.

SI (METRIC) CONVERSION FACTORS

Table 3.1

| To Convert | Multiply By | To Obtain | To Convert | Multiply By | To Obtain |
|------------|-----------------|---------------------|---------------------|-------------|---------------------|
| "W.C. | 0.24 | kPa | CFH | 1.699 | m ³ /min |
| psig | 6.893 | kPa | Btu/ft ³ | 0.0374 | mJ/m ³ |
| °F | (°F-32) x 0.555 | °C | pound | 0.453 | kg |
| inches | 25.4 | mm | Btu/hr | 0.000293 | kW/hr |
| feet | 0.305 | meters | gallons | 3.785 | liters |
| CFM | 0.028 | m ³ /min | psig | 27.7 | "W.C. |

GENERAL

⚠ CAUTION

1. All literature shipped with this unit should be kept for future use for servicing or service diagnostics. Do not discard any literature shipped with this unit.
2. Consult piping, electrical, and venting instructions in this manual before final installation.
3. Do not attach ductwork, air filters, or polytubes to any propeller unit heater.

In the U.S., the installation of these units must comply with the "National Fuel Gas Code," ANSI Z223.1, latest edition (also known as NFPA 54) and other applicable local building codes. In Canada, the installation of these units must comply with local plumbing or waste water codes and other applicable codes and with the current code CAN/CGA-B149.1 "Installation Code for Natural Gas Burning Appliances and Equipment" or CAN/CGA-B149.2, "Installation Code for Propane Burning Appliances and Equipment."

1. All installation and service of these units must be performed by a qualified installation and service agency only as defined in ANSI Z223.1, latest edition or in Canada by a licensed gas fitter.

2. This unit is certified with the controls furnished. For replacements parts, please order according to the replacement parts list on serial plate. Always know your model and serial numbers. The right is reserved to substitute other authorized controls as replacements.
3. Unit is balanced for correct performance. Do not alter fan or operate motors at reduced speed.
4. Information on controls is supplied separately.
5. The same burner is used for natural and propane gas.

UNIT LOCATION

⚠ DANGER

Appliances must not be installed where they may be exposed to a potentially explosive or flammable atmosphere.

⚠ CAUTION

1. Do not locate units in tightly sealed rooms or small compartments (commonly referred to as confined spaces) without provisions for adequate combustion air and venting. Combustion air must have access to the confined space through a minimum of two permanent openings in the enclosure, at least one near the bottom. They should provide a free area of one square inch per 10,000 BTU/Hr input rating of the unit with a minimum of 100 square inches for each opening, whichever is greater.
2. Low profile heaters are designed for use in heating applications with ambient temperatures between -40°F and 90° F.
3. Do not install unit outdoors.
4. In commercial garages or other sections of aircraft hangars such as offices and shops which communicate with areas used for servicing or storage, keep the bottom of the unit at least 7' above the floor. In public garages, the unit must be installed in accordance with the Standard for Parking Structures NFPA 88A and the Standard for Repair Garages NFPA 88B. In Canada, installation of unit heater in airplane hangars must be in accordance with the requirements of the enforcing authority, and in public garages in accordance with the current CAN/CGA-B149. codes.
5. In aircraft hangars, keep the bottom of the unit at least 10' from the highest surface of the wings or engine enclosure of the highest aircraft housed in the hangars and in accordance with the requirements of the enforcing authority and/or NFPA 409-latest edition.
6. Installation of units in high humidity or salt water atmospheres will cause accelerated corrosion resulting in a reduction of the normal life of the units.

IMPORTANT

To prevent premature heat exchanger failure, do not locate ANY gas-fired appliances in areas where corrosive vapors (i.e. chlorinated, halogenated or acid) are present in the atmosphere.

Location Recommendations

1. When locating the furnace, consider general space and heating requirements, availability of gas and electrical supply, and proximity to vent locations.
2. When locating units, it is important to consider that the exhaust vent piping must be connected to the outside atmosphere.

UNIT LOCATION / UNIT MOUNTING

3. Be sure the structural support at the unit location site is adequate to support the weight of the unit. For proper operation the unit must be installed in a level horizontal position.
4. Do not install units in locations where the flue products can be drawn into the adjacent building openings such as windows, fresh air intakes, etc.
5. Be sure that the minimum clearances to combustible materials and recommended service clearances are maintained. Units are designed for installation with the minimum clearances below:

| | |
|-------------------|--------------------|
| Top and bottom 1" | Non-Access Side 1" |
| Vent Connector 4" | Rear 18" |
| Access Side 18" | |
6. Do not install units in locations where gas ignition system is exposed to water spray, rain, or dripping water.
7. Mounting Height (measured from bottom of unit) at which unit heaters are installed is critical. Refer to mounting height information and heat throw data on page 16 of this manual. The maximum mounting height for any unit is that height above which the unit will not deliver heated air to the floor.

Combustion Air Requirements

The National Fuel Gas Code defines an "unconfined space" as a space whose volume is greater than 50 cubic feet per 1,000 Btu/Hr input of the installed appliance(s). A confined space is 50 cubic feet or less per 1,000 Btu/Hr input of the installed appliance(s).

It is not recommended to install these unit heaters into residential confined spaces. This recommendation is due to the concern that at some point in time, the combustion air openings provided by the installer may become blocked or eliminated by the owner, either intentionally or unintentionally. Despite this commendation, if these units are installed into a residential confined space, see National Fuel Gas Code ANSI Z223.1 or CAN/CGA B149.1 or .2 Installation Code, latest edition, for detailed combustion air provisions. These requirements must be adhered to.

Units installed into confined spaces in industrial/commercial installations, must be provided with two permanent openings, one near the top of the confined space and one near the bottom of the confined space. Each opening should have a free area of not less than one square inch per 1,000 BTU per hour of the total input rating of all units in the confined space, freely communicating with interior areas having, in turn, adequate infiltration from the outside.

For further details on supplying combustion or to a confined (tightly sealed) space or unconfined space, see the National Fuel Gas Code ANSI Z223.1 or CAN/CGA B149.1 or .2 Installation Code, latest edition.

Turning The Unit 180°

All units are produced at the factory with left-side controls, when looking at the unit. If the installation requires that the controls be on the right side, the unit heater can be "turned over". In addition, the following instructions must be followed:

- By turning the unit 180° from the way it was received from the factory, the sides become opposite but the front and back remain in the same relative position. The bottom panel now becomes the top panel and vice-versa.
- Remove the access panel, turn it 180°, and re-attach it to the unit. This is important so that all the information labels can be read.
- Remove the spring loaded deflector blades, turn them over, replace, and adjust so they are open and in a position to direct the heated air down to the floor.

UNIT SUSPENSION

CAUTION

1. Do not install units below 7' measured from the bottom of the unit to the floor in commercial applications and 5' measured from the bottom of the unit to the floor in residential applications.
2. Be sure no obstructions block air intake and discharge of unit heaters.
3. The minimum distance from combustible material is based on the combustible material surface not exceeding 160°F. Clearance from the top of the unit may be required to be greater than the minimum specified if heat damage, other than fire, may occur to materials above the unit heater at the temperature described.
4. Allow 18" clearance at rear (or 6" beyond end of motor at rear of unit, whichever is greater) and access side to provide ample air for combustion and proper operation of fan.

1. Be sure the means of suspension is adequate to support the weight of the unit (see page 16 for unit weights).
2. For proper operation, the unit must be installed in a level horizontal position.
3. Clearances to combustibles as previously specified must be strictly maintained.
4. Mounting bracket installation:

Before lifting the heater for suspension, the mounting brackets must be installed. Decide if the unit will be installed as standard; that is with left-side controls when looking at the front of the unit or with right-side controls.

For standard (left side) remove brackets from shipping position and remove the (3) screws along the top edge of both the front and back of unit. Align screw holes on mounting bracket with holes along front and back top edges. Secure (1) mounting bracket to front of unit with retained screws. Secure the other mounting bracket to back of unit in a similar way.

For right-hand, the mounting brackets are attached in a similar manner after the unit is turned over.
- 5a. Suspension by screws/lag bolts:

Secure the mounting brackets to the ceiling joists or truss, using 1/4" screws with 1/2" washers. These 1" - angle, mounting brackets are slotted to accommodate joists on 16" or 24" centerlines.
- 5b. Suspension by threaded rod:

This heater can also be hung utilizing the same mounting brackets and threaded rod. Attach the threaded rod to the unit mounting brackets, securing with a top and bottom nut. Next, drill holes into a steel channel or angle iron at the same centerline dimensions as those chosen for the heater that is being installed. The steel channels or angle iron pieces need to span and be fastened to appropriate structural members. Cut the threaded rods to the preferred length, push them through the holes in the steel channel or angle iron and secure with washers and lock nuts, lock washers and nuts, or a double nut arrangement like used on the unit heater mounting brackets.
- 5c. Shelf mounted units:

The unit heater can also be installed on a shelf, if so desired. The mounting brackets will need to be attached to the heater the same manner as explained earlier, however, to mount on a shelf the brackets must go on the bottom of the heater. The brackets must be affixed to the shelf using similar screws (1/4" screw with 1/2" washer) as overhead joist or truss mounting. Be sure all clearance to combustible requirements are met.

INSTALLATION

Venting

WARNING

1. Gas fired heating equipment must be vented - do not operate unvented.
2. A built-in power exhauster is provided - additional external power exhausters are not required or permitted.
3. If you are replacing an existing heater, it may be necessary to resize the venting systems. Improperly sized venting systems can result in vent gas leakage or the formation of condensate. Refer to the National Fuel Gas Code ANSI Z223.1 or CAN/CGA B149.1 or .2 latest edition. Failure to follow these instructions can result in serious injury or death.

CAUTION

Installation must conform with local building codes or in the absence of local codes, with Part 7, Venting of Equipment, of the National Fuel Gas Code, ANSI Z223.1 (NFPA 54) - latest edition. In Canada installation must be in accordance with CAN/CGA-B149.1 for natural gas units, and CAN/CGA-B149.2 for propane units.

Before you start use the following steps to verify that the venting system is adequately sized:

1. Seal any unused openings in the venting system.
2. Inspect the venting system for proper size and horizontal pitch, as required in the National Fuel Gas Code ANSI Z223.1 or CAN/CGA B149.1 or .2 Installation Code-latest edition and these instructions. Determine that there is no blockage or restriction, leakage, corrosion and other deficiencies, which could cause an unsafe condition.
3. In so far as practical, close all building doors and windows and all doors between the space in which the appliance(s) connected to the venting system are located and other spaces of the building. Turn on clothes dryers and any exhaust fans such as range hoods and bathroom exhausts, so they shall operate at maximum speed. Do not operate a summer exhaust fan. Close fireplace dampers.
4. Follow the lighting instructions. Place the appliance being inspected in operation. Adjust thermostat so that the appliance will operate continuously.
5. After it has been determined that each appliance connected to the venting system properly vents when tested as outlined above, return doors, windows, exhaust fans, fireplace dampers and any other gas-burning appliance to their previous conditions of use.
6. If improper venting is observed during any of the above tests, the venting system must be corrected.

Table 5.1
ANSI Unit Heater Venting Requirements

| Category | Description | Venting Requirements |
|----------|--|---|
| I | Negative vent pressure Non-condensing | Follow standard venting requirements. |
| II | Negative vent pressure Condensing | Condensate must be drained. |
| III | Positive vent pressure Non-condensing | Vent must be gas tight. |
| IV | Positive vent pressure Condensing | Vent must be liquid and gastight. Condensate must be drained. |

Note: A vent is the vertical passageway used to convey flue gases from the unit or the vent connector to the outside atmosphere. A **vent connector** is the pipe which connects the unit to a vent or chimney. Vent connectors serving Category I appliances shall not be connected into any portion of mechanical draft systems operating under positive pressure.

Venting Instructions

1. All vertically vented heaters are category I venting. All horizontally vented heaters are category I or III depending on venting. For a unit to be classified vertical, the horizontal run may not exceed 75% of the vertical rise.
2. Using Table 5.1, determine the venting requirements for the category determined above. A category III heater must conform to the venting requirements called out in Table 5.1, which are detailed in the following sections, as well as additional requirements also detailed in following sections.
3. Vertically vented heaters may be vented with either single wall or double wall vent pipe. Follow the double wall manufacturers clearances to combustibles.
4. All heaters come with a factory installed 3" vent adapter for attaching the vent pipe to the heater. Attach the vent pipe to the adapter with 3 non-corrosive screws. (Drill pilot holes through the vent pipe and adapter prior to screwing in place)
5. Do not use any vent pipe smaller than 3". Refer to the National Fuel Gas Code for the minimum material thickness.
6. A minimum of 12" straight pipe is recommended from the power exhauster outlet before turns in the vent system. Suspend horizontal runs at a minimum of 3' intervals.
7. Avoid venting through unheated spaces when possible. When single wall pipe does pass through an unheated space, insulate runs greater than 5' to minimize condensation. Inspect for leakage prior to insulating and use insulation that is noncombustible with a rating of not less 350°F. Install a tee fitting at the low point of the vent system and provide a drip leg with a cleanout cap as shown in Figures 6.2 and 6.3. The drip leg should be cleaned annually.
8. Keep single wall vent pipe at least 6" from combustible material. The minimum distance from combustible material is based on the combustible material surface not exceeding 160°F. Clearances from the vent pipe (or top of the unit) may be required to be greater than the minimum clearance if heat damage (such as material distortion or discoloration) may occur.
9. When a single wall vent passes through a combustible wall or floor, a listed thimble must be used. When a type B double wall vent passes through a combustible wall or floor, follow the vent pipe manufacturers clearances to combustibles. Refer to Figure 6.1.
10. This heater is equipped with a power exhaust system. **DO NOT** use any additional power exhaust systems or vent dampers. **FAILURE TO FOLLOW THESE INSTRUCTIONS** could result in serious injury or death.
11. All vertically vented heaters are category I and must be connected to a factory built chimney or vent complying with a recognized standard, or a masonry (or concrete) lined chimney with a material acceptable to the authority having jurisdiction. Venting into an unlined masonry chimney is not permitted. Refer to the National Fuel Gas Code for common venting.
12. Secure all vent joints with at least 3 corrosion-resistant screws. Use an approved vent terminal to reduce down drafts and moisture in the vent.
13. The vent must terminate no less than 5' above the vent connector. The top of the vertical stack should extend above any portion of a building within a horizontal distance of 2' (see Figure 6.2).
14. The outlet of the vent should extend as shown in Figure 6.3 and Table 6.1 if the following conditions are met: Vent diameter is less than 12 inches, vent is of double wall construction and is a listed product, and the vent does not terminate within 10' of a vertical wall or similar obstruction. For vents that have a diameter of 12 inches or larger, constructed of single wall, or terminate within 2' of a vertical wall or similar obstruction, the vent pipe shall extend at least 2' higher than any portion of a building within a horizontal distance of 2' (refer to Figure 6.2).

INSTALLATION

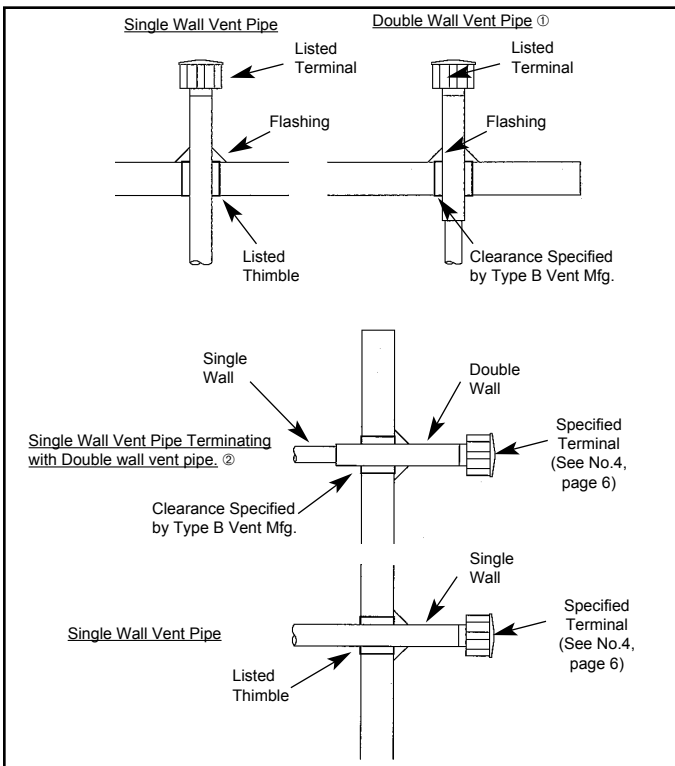
15. A unit located within an unoccupied attic or concealed space shall not be vented with single wall vent pipe.
16. Single wall vent pipe must not pass through any attic, inside wall, concealed space, or floor.

Table 6.1
Minimum Height from Roof to
Lowest Discharge Opening

| Rise X (in) | Roof Pitch | Min Height H (ft) ① |
|-------------|----------------|---------------------|
| 0-6 | Flat to 6/12 | 1.00 |
| 6-7 | 6/12 to 7/12 | 1.25 |
| 7-8 | 7/12 to 8/12 | 1.50 |
| 8-9 | 8/12 to 9/12 | 2.00 |
| 9-10 | 9/12 to 10/12 | 2.50 |
| 10-11 | 10/12 to 11/12 | 3.25 |
| 11-12 | 11/12 to 12/12 | 4.00 |
| 12-14 | 12/12 to 14/12 | 5.00 |
| 14-16 | 14/12 to 16/12 | 6.00 |
| 16-18 | 16/12 to 18/12 | 7.00 |
| 18-20 | 18/12 to 20/12 | 7.50 |
| 20-21 | 20/12 to 21/12 | 8.00 |

① Size according to expected snow depth.

Figure 6.1
Venting Through Combustible Wall or Roof



② See Instructions for attaching single wall pipe to double wall pipe (page 6)

Figure 6.2
Vertical Venting Through Flat Roof

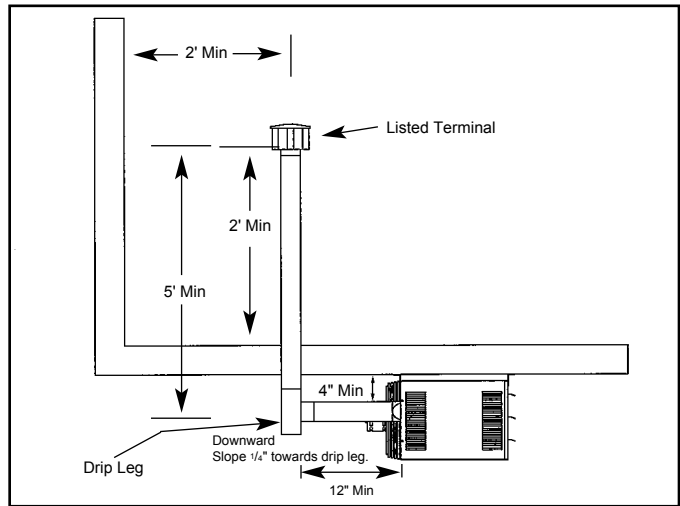
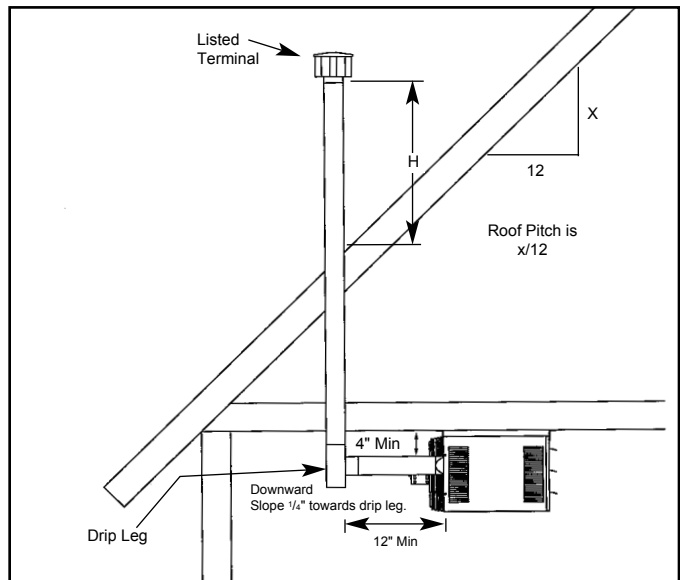


Figure 6.3
Vertical Venting Through Sloped Roof



General Instructions For Double Wall (Type B) Terminal Pipe Installation:

1. How to attach a single wall vent terminal to double wall (type B) vent pipe:
 - A. Look for the "flow" arrow on the vent pipe. Attach the vent terminal to the exhaust end of the double wall vent pipe.
 - B. Slide the vent terminal inside the pipe.
 - C. Drill a hole through the pipe and the vent terminal. Using 3/4" long sheet metal screws, attach the cap to the pipe.
2. How to connect a single wall vent system to a double wall (type B) vent pipe:
 - A. Slide the single wall pipe inside the inner wall of the double wall pipe.
 - B. Drill a hole through both walls of the double wall pipe and through the single wall pipe. Using 3/4" sheet metal screws, attach the two pieces of pipe. Do not over tighten.
 - C. Repeat Step B drilling and inserting (2) additional screws, attach the two pieces of pipe. Do not over tighten.
 - D. To seal the annular opening, run a large bead of 350°F silastic. The "GAP" between the single and double wall pipe must be sealed but it is not necessary to fill the full volume of the annular area.

Figure 7.1
Horizontal Category III Venting with Upward Pitch

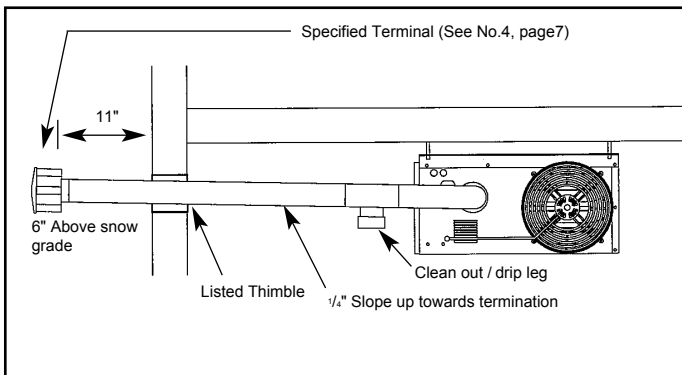


Figure 7.2
Horizontal Category III Venting with Downward Pitch (with drip leg)

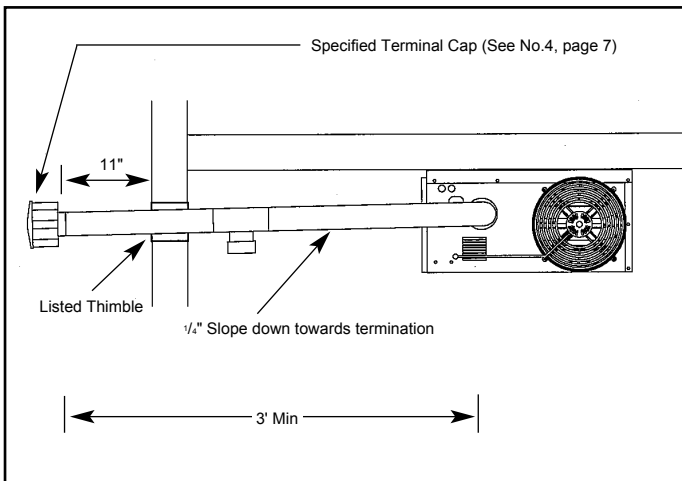
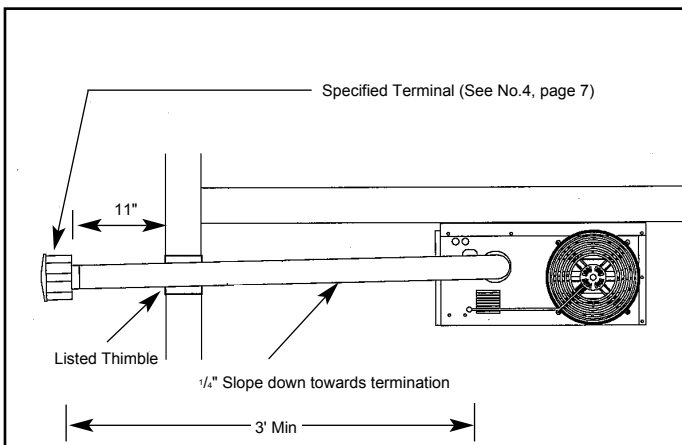


Figure 7.3
Horizontal Category III Venting with Downward Pitch (Condensate Drips Out End)



Additional Requirements For Horizontal Category III Venting:

1. All heaters that are horizontally vented with 3" vent pipe, perform as category III appliance. Category III venting has special venting requirements as follows:

- A. All residential, horizontally vented category III heaters must be vented with an agency certified category III venting system. Agency certified category III venting systems are available from your local vent pipe distributor. Follow the agency certified category III vent manufacturers instructions for installations.
 - B. For commercial and industrial horizontally vented heaters you may use either agency certified category III venting systems or single wall galvanized or stainless steel vent pipe. If uncertified single wall vent pipe is used, all joints must be sealed with metallic tape or silastic suitable for temperatures up to 400°F. Wrap tape (2) full turns around the vent pipe.
2. Limit the total equivalent vent pipe length to a minimum of 3' and a maximum of 30', making the vent system as straight as possible. see Figure 7.3. (The equivalent length of a 3" elbow is 1').
 3. The vent system shall terminate at least 3' above any forced air inlet (except direct vent units) located within 10', and at least 4' below, 4' horizontally from, or 1' above any door, window, or gravity air inlet into any building. The bottom of the vent terminal shall be located above the snow line or at least 1' above grade; whichever is greater. When located adjacent to public walkways the vent system shall terminate not less than 7' above grade.
 4. All horizontal category III vents must be terminated with a Gary Steel 1092 or Breidert Type L style vent cap. The vent cap must be 11" from side of wall. Refer to Figures 7.1-7.3.
 5. When condensation may be a problem, the vent system shall not terminate over public walkways or over an area where condensate or vapor could create a nuisance or hazard or could be detrimental to the operation of regulators, relief openings, or other equipment.
 6. The venting system must be exclusive to a single unit, and no other unit is allowed to be vented into it.
 7. When vented horizontally, maintain a 1/4" per foot rise away from the heater. Place a drain tee and clean out near the unit. See Figure 7.1. Where local authorities have jurisdiction, a 1/4" per foot downward slope is acceptable. Use a drain tee with a clean out near the exit of the vent, see Figure 7.2, or allow the condensate to drip out the end. See Figure 7.3.
 8. When the vent is routed through a combustible wall, use either an agency approved thimble, or where authorities have jurisdiction use type B vent for the last section of vent pipe to maintain clearance to combustibles while passing through wall. See Figure 7.1.

Additional Requirements For Horizontal Category I Venting (Residential Only).

1. All heaters installed with category I horizontal vents must be equipped with a vent transition (3" to 4" or 5" depending on vent size selected) attached to the power exhaust adapter located on the unit. All other portions of the vent system shall consist of 4 or 5-inch diameter single wall vent pipe and fittings depending on vent size selected. All joints of the venting system must be sealed with metallic tape or silastic suitable for temperatures up to 400°F. Wrap tape (2) full turns around the vent pipe joint. One continuous section of double wall vent pipe may be used with the vent system. Under no circumstances should two sections of double wall vent pipe be joined together within one vent system due to the inability to verify complete seal of inner pipes.
2. The maximum length of the horizontal run of the vent shall be limited to the length listed in Table 8.1.

INSTALLATION

3. The vent terminal for a horizontal category I vent may be either a standard vent TEE, a Gary Steel 1092 or a Bredert Type L style cap. The maximum number of elbows, slope of the horizontal section, and minimum vertical rise from horizontal vent pipe for each configuration is listed in Table 8.1.
 - A. When using a standard vent TEE, the preferred orientation of the TEE is for the open ends of the TEE to be oriented horizontally. In this orientation, the minimum clearance to combustibles is 6 inches above the TEE to the eave. If the TEE is oriented vertically, the minimum clearance to combustibles is 27 inches above the TEE to the eave. Refer to Figure 9.1. The vent TEE should incorporate a bird screen made from corrosion resistant material. The individual strands of mesh in the bird screen must be located at least 1/4" apart.
 - B. When using a vent cap, the minimum clearance to combustibles is 6 inches above the cap to the eave. Refer to Figure 9.1.
4. When vented horizontally, maintain a 1/4" per foot rise away from the heater. Place a drain tee and clean out near the vent connector. See Figures 8.1 and 9.3. Where local authorities have jurisdiction, a 1/4" per foot downward slope is acceptable. The Condensate is allowed to drip out of the end when using a TEE terminal. See Figure 9.2. When using a vent cap with an extension, a 3/8" diameter hole is drilled in the low point of the vent by the installer exterior to the space to allow condensation drainage. See Figure 9.4.

Figure 8.1
Horizontal Category I Venting -TEE With Upward Pitch

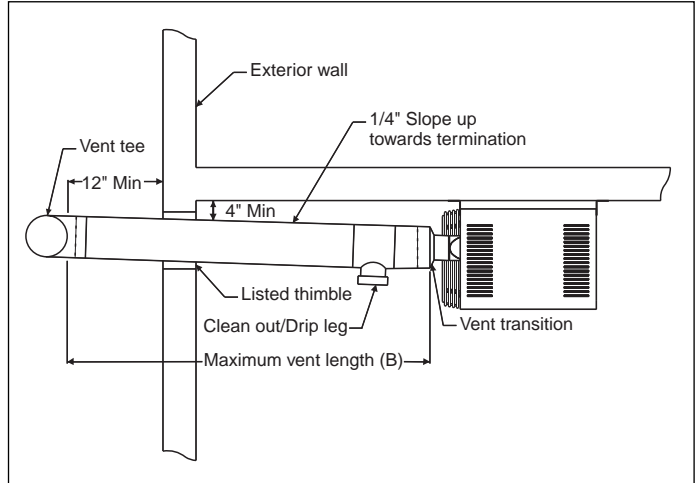


Table 8.1
Allowable Vent Configurations for Category I Horizontal Venting

| Model Size | Vent Terminal | Maximum No. Elbows | Minimum Vertical Rise From Horizontal (in) (A) | Maximum Horizontal Vent Length (ft) (B) | Vent Diameter (in) |
|------------|---------------|--------------------|--|---|--------------------|
| 30 | Vent TEE | 1 | 0 | 10 | 5 |
| | Vent Cap | 2 ① | 4 ② | 10 | 5 |
| | Vent TEE | 1 | 0 | 5 | 4 |
| | Vent Cap | 2 ① | 12 ② | 5 | 4 |
| | Vent Cap | 2 ① | 18 ② | 10 | 4 |
| 45 | Vent TEE | 1 | 0 | 10 | 5 |
| | Vent Cap | 2 ① | 12 ② | 10 | 5 |
| | Vent Cap | 2 ① | 18 ② | 5 | 4 |
| 60 | Vent TEE | 1 | 0 | 10 | 5 |
| | Vent Cap | 2 ① | 15 ② | 10 | 5 |
| 75 | Vent TEE | 1 | 0 | 5 | 5 |
| | Vent Cap | 2 ① | 18 ② | 5 | 5 |

① One of the two allowed elbows is required to create the vent extension shown in figures 9.3 and 9.4.
 ② The vertical rise gained from an elbow is 4". Therefore, 4" may be subtracted from the length of vertical pipe needed in the vent extension. If the minimum vertical rise required is 4" you do not need to add a section of vertical pipe to the vent extension.

INSTALLATION

Figure 9.1
Horizontal Category I Venting - Clearance to Eave

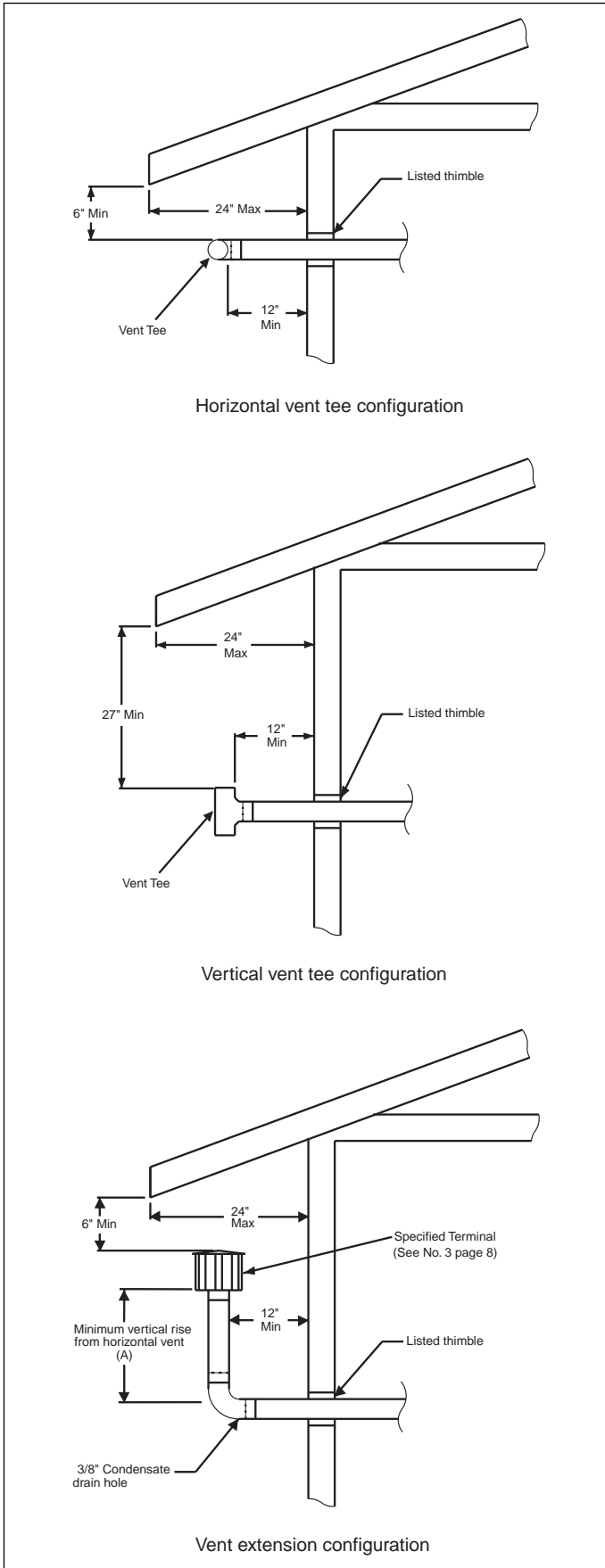


Figure 9.2
Horizontal Category I Venting - TEE With Downward Pitch

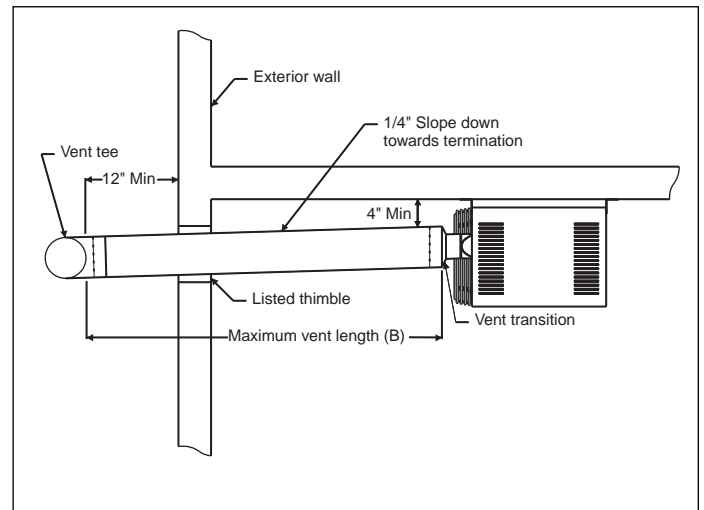


Figure 9.3
Horizontal Category I Venting - Vent Extension With Upward Pitch

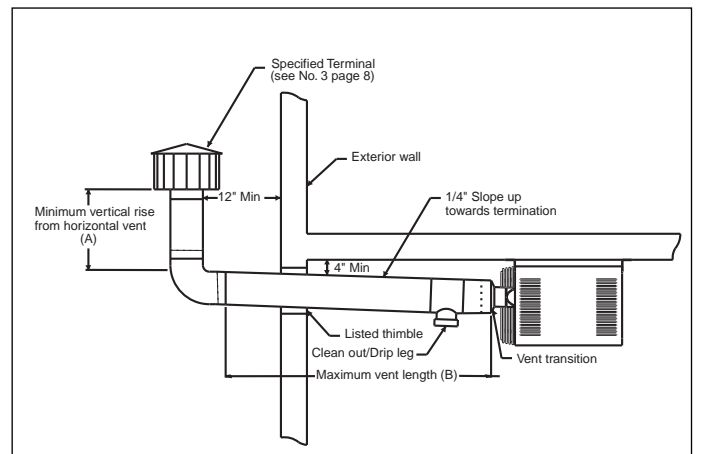
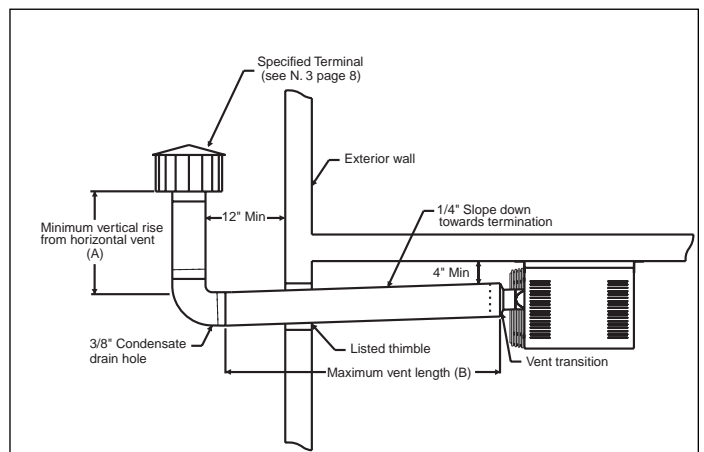


Figure 9.4
Horizontal Category I Venting - Vent Extension With Downward Pitch



INSTALLATION

Gas Connections

⚠ WARNING

1. All field gas piping must be pressure/leak tested prior to operation. Never use an open flame. Use a soap solution or equivalent for testing.
2. Gas pressure to appliance controls must never exceed 14" W.C. (1/2 psi).
3. To reduce the opportunity for condensation, the minimum sea level input to the appliance, as indicated on the serial plate, must not be less than 5% below the rated input, or 5% below the minimum rated input of dual rated units.

⚠ CAUTION

1. Purging of air from gas lines should be performed as described in ANSI Z223.1 - latest edition "National Fuel Gas Code", or in Canada CAN/CGA-B149 codes.
2. When leak testing the gas supply piping system, the appliance and its combination gas control must be isolated during any pressure testing in excess of 14" W.C. (1/2 psi).
3. The unit should be isolated from the gas supply piping system by closing its field installed manual shut-off valve. This manual shut-off valve should be located within 6' of the heater.
4. Turn off all gas before installing appliance.

IMPORTANT

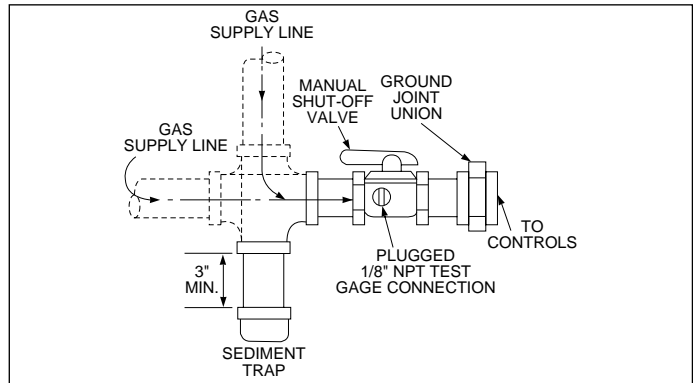
To prevent premature heat exchanger failure, the input to the appliance, as indicated on the serial plate, must not exceed the rated input by more than 5%.

1. Installation of piping must conform with local building codes, or in the absence of local codes, with the National Fuel Gas Code, ANSI Z223.1 (NFPA 54) - latest Edition. In Canada, installation must be in accordance with CAN/CGA-B149.1 for natural gas units and CAN/CGA-B149.2 for propane units.
2. Piping to units should conform with local and national requirements for type and volume of gas handled, and pressure drop allowed in the line. Refer to Table 13.1 to

determine the cubic feet per hour (CFH) for the type of gas and size of unit to be installed. Using this CFH value and the length of pipe necessary, determine the pipe diameter from Table 10.1. Where several units are served by the same main, the total capacity, CFH and length of main must be considered. Avoid pipe sizes smaller than 1/2". Table 10.1 allows for a 0.3" W.C. pressure drop in the supply pressure from the building main to the unit. The inlet pressure to the unit must be 6-7" W.C. for natural gas and 11-14" W.C. for propane gas. When sizing the inlet gas pipe diameter, make sure that the unit supply pressure can be met after the 0.3" W.C. has been subtracted. If the 0.3" W.C. pressure drop is too high, refer to the Gas Engineer's Handbook for other gas pipe capacities.

3. Install a ground joint union with brass seat and a manual shut-off valve adjacent to the unit for emergency shut-off and easy servicing of controls, including a 1/8" NPT plugged tapping accessible for test gauge connection (See Figure 10.1).
4. Provide a sediment trap before each unit in the line where low spots cannot be avoided. (See Figure 10.1).
5. When Pressure/Leak testing, pressures above 14" W.C. (1/2 psi), close the field installed shut-off valve, disconnect the appliance and its combination gas control from the gas supply line, and plug the supply line before testing. When testing pressures 14" W.C. (1/2 psi) or below, close the manual shut-off valve on the appliance before testing.

Figure 10.1
Recommended Sediment Trap/Manual Shut-off Valve Installation - Side or Bottom Gas Connection



① Manual shut-off valve is in the "OFF" position when handle is perpendicular to pipe.

Table 10.1
Gas Pipe Capacities

| Gas Pipe Capacities (Up to 14 W.C. Gas Pressure through Schedule 40 Pipe) | | | | | | | | | | | | |
|---|---------------|---------|---------|---------|---------|---------|---------|---------|---------|---------|---------|---------|
| Cubic Feet per Hour with Pressure Drop of 0.3 W.C. | | | | | | | | | | | | |
| Natural Gas - Specific Gravity - 0.60 | | | | | | | | | | | | |
| Propane Gas - Specific Gravity - 1.50 | | | | | | | | | | | | |
| Length of Pipe (feet) | Pipe Diameter | | | | | | | | | | | |
| | 1/2" | | 3/4" | | 1" | | 1-1/4" | | 1-1/2" | | 2" | |
| | Natural | Propane | Natural | Propane | Natural | Propane | Natural | Propane | Natural | Propane | Natural | Propane |
| 10 | 132 | 83 | 278 | 175 | 520 | 328 | 1050 | 662 | 1600 | 1008 | 3050 | 1922 |
| 20 | 92 | 58 | 190 | 120 | 350 | 221 | 730 | 460 | 1100 | 693 | 2100 | 1323 |
| 30 | 73 | 46 | 152 | 96 | 285 | 180 | 590 | 372 | 890 | 561 | 1650 | 1040 |
| 40 | 63 | 40 | 130 | 82 | 245 | 154 | 500 | 315 | 760 | 479 | 1450 | 914 |
| 50 | 56 | 35 | 115 | 82 | 215 | 135 | 440 | 277 | 670 | 422 | 1270 | 800 |
| 60 | 50 | 32 | 105 | 66 | 195 | 123 | 400 | 252 | 610 | 384 | 1150 | 725 |
| 70 | 46 | 29 | 96 | 60 | 180 | 113 | 370 | 233 | 560 | 353 | 1050 | 662 |
| 80 | 43 | 27 | 90 | 57 | 170 | 107 | 350 | 221 | 530 | 334 | 930 | 586 |
| 100 | 38 | 24 | 79 | 50 | 150 | 95 | 305 | 192 | 460 | 290 | 870 | 548 |
| 125 | 34 | 21 | 72 | 45 | 130 | 82 | 275 | 173 | 410 | 258 | 780 | 491 |
| 150 | 31 | 20 | 64 | 40 | 120 | 76 | 250 | 158 | 380 | 239 | 710 | 447 |

INSTALLATION

Wiring

WARNING

1. Disconnect power supply before making wiring connections to prevent electrical shock and equipment damage.
2. All appliances must be wired strictly in accordance with wiring diagram furnished with the appliance. Any wiring different from the wiring diagram could result in a hazard to persons and property.
3. Any original factory wiring that requires replacement must be replaced with wiring material having a temperature rating of at least 105°C.
4. Ensure that the supply voltage to the appliance, as indicated on the serial plate, is not 5% greater than rated voltage.

CAUTION

1. Ensure that the supply voltage to the appliance, as indicated on the serial plate, is not 5% less than the rated voltage.

All field installed wiring must be done in accordance with the National Electrical Code ANSI/NFPA 70 – latest edition or Canadian Electrical Code CSA C22.1 Part 1 or local codes. Unit must be electrically grounded according to these codes. If any of the original wire supplied with the heater must be replaced, replace it with wiring material having a temperature rating of at least 105°C.

The power to these unit heaters should be protected with a circuit breaker.

Location of thermostat should be determined by heating requirements and be mounted on an inside wall about 5' above floor level where it will not be affected by heat from the unit or other sources, or drafts from frequently opened doors. See instructions packed with thermostat.

OPERATION

Prior to Operation

Although this unit has been assembled and fire-tested at the factory, the following pre-operational procedures should be performed to assure proper on-site operation.

1. Turn off power.
2. Check fan clearance. Fan should not contact casing when spun by hand.
3. Check all electrical connections to be sure they are secure.
4. If you are not familiar with the unit's controls (i.e. combination gas control), refer to the control manufacturer's literature supplied with the unit.
5. Check that all horizontal deflector blades are open a minimum of 30° as measured from vertical.

FOR YOUR SAFETY READ BEFORE OPERATING

WARNING: If you do not follow these instructions exactly, a fire or explosion may result causing property damage, personal injury or loss of life.

- A. This appliance does not have a pilot. It is equipped with an ignition device which automatically lights the burner. Do not try to light the burner by hand.

- B. BEFORE OPERATING smell all around the appliance area for gas. Be sure to smell next to the floor because some gas is heavier than air and will settle on the floor.

WHAT TO DO IF YOU SMELL GAS

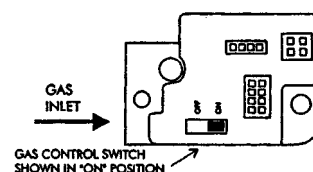
- Do not try to light any appliance.
 - Do not touch any electric switch; do not use any phone in your building.
 - Immediately call your gas supplier from a neighbors phone. Follow the gas supplier's instructions.
 - If you cannot reach your gas supplier, call the fire department.
- C. Use only your hand to move the gas control switch. Never use tools. If the switch will not move by hand, don't try to repair it, call a qualified service technician. Force or attempted repair may result in a fire or explosion.
 - D. Do not use this appliance if any part has been under water. Immediately call a qualified service technician to inspect the appliance and to replace any part to the control system and any gas control which has been under water.

OPERATING INSTRUCTIONS

1. STOP! Read the safety information above.
2. Set thermostat to lowest setting.
3. Turn off all electric power to the appliance.
4. This appliance is equipped with an ignition device which automatically lights the pilot. Do not try to light the pilot by hand.
5. Remove the access panel.
6. Move the gas control switch to the "OFF" position.
7. Wait five (5) minutes to clear out any gas. Then smell for gas, including near the floor. If you smell gas, STOP! follow "B" in the safety information above. If you don't smell gas, go to the next step.
8. Move the gas control switch to the "ON" position.
9. Replace control access panel.
10. Turn on all electric power to the appliance.
11. Set the thermostat to the desired setting.
12. If the appliance will not operate, follow the instructions "To Turn Off Gas to Appliance" and call your service technician or gas supplier.

TO TURN OFF GAS TO APPLIANCE

1. Set thermostat to lowest setting.
2. Turn manual shut-off valve located outside of the unit to the closed position.
3. Turn off all electric power to the appliance if service is to be performed.
4. Remove access panel.
5. Turn the gas valve switch to the "OFF" position.
6. Replace the access panel.



CHECKING INPUT RATE

CAUTION

Check the gas inlet pressure at the unit upstream of the combination gas control. The inlet pressure should be 6-7" W.C. on natural gas or 12-14" W.C. on propane. If inlet pressure is too high, install an additional pressure regulator upstream of the combination gas control.

Input Adjustments

The gas pressure regulator (part of the combination gas control) is adjusted at the factory for average gas conditions. It is important that gas be supplied to the heater in accordance with the input rating stamped on the serial plate. Actual input should be checked and necessary adjustments made after the heater is installed. Over-firing, a result of too high an input, reduces the life of the unit, and increases maintenance. Under no circumstances should the input exceed that shown on the rating plate.

Input can be determined by the meter-timing method provided other gas equipment connected to the meter is off during the test. If this is not possible, use the pressure method.

Important – Inlet pressure and manifold pressure must be checked with unit in operation when making final adjustments.

(A) Meter Timing Method

1. Shut off all other gas-burning equipment, including other pilot lights served by the gas meter.
2. Start the heater and determine the number of seconds it takes to consume 1 cu. ft. of gas. Two basic formulas are useful:

$$F1 = 3600 C/T$$

$$F2 = F1/C$$

where

F1 = input to heater, Btuh.

F2 = input to heater, cu. ft. per hr.

C = heating value of gas, Btu per cu. ft.

T = time to consume 1 cu. ft. of gas in sec.

The heating value of gas may be determined from the local utility or gas dealer.

These are representative values:

| GAS | Btu per cu. ft. |
|---------|-----------------|
| Natural | 1000-1150 |
| Propane | 2500 |

3. If the seconds for 1 cu. ft. are more (input less) than shown in Table 13.1 for model being tested, locate the combination gas control and pressure regulator adjustment screw. Remove the cap screw from the pressure regulator and take one clockwise turn at a time on the adjustment screw until the correct time is obtained. If the seconds are less (input greater) than indicated in the table, follow the same procedure in a **counter-clockwise** direction.

If the correct number of seconds cannot be obtained check orifice size. Correct orifices can be obtained from the factory. When requesting orifices, state type of gas, heating value, and its specific gravity. Also give model number of unit.

For example, if the input to the heater is 100,000 Btuh and the heating value of the gas is 1000 Btu per cu. ft., then, by the second formula, the input is 100 cu. ft. per hr. Table 12.1 indicates the time for one revolution of various size meter dials with various input rates. If a 1 cu. ft. meter dial is used, we

proceed down the cu. ft. column to 100 cu. ft. per hr. and then horizontally to the left to determine a time of 36 seconds for one revolution of the dial. Similarly, if the 1/2 cu. ft. dial is used, we determine a time of 18 seconds for one revolution at the required input. After proper firing rate has been achieved, replace regulator cap screw.

Table 12.1
Meter-timing Gas

(Time required for one revolution is charted for various size meter dials and various rates of gas input in cu. ft. per hour. To convert to Btuh, multiply by the heating value of the gas used.)

| Time for 1 Revolution, Sec. | Input, Cu. Ft. per Hour, when meter dial size is: | | | |
|-----------------------------|---|-----------|-----------|-----------|
| | 1/2 cu. ft. | 1 cu. ft. | 2 cu. ft. | 5 cu. ft. |
| 10 | 180 | 360 | 720 | 1800 |
| 12 | 150 | 300 | 600 | 1500 |
| 14 | 129 | 257 | 514 | 1286 |
| 16 | 112 | 225 | 450 | 1125 |
| 18 | 100 | 200 | 400 | 1000 |
| 20 | 90 | 180 | 360 | 900 |
| 22 | 82 | 164 | 327 | 818 |
| 24 | 75 | 150 | 300 | 750 |
| 26 | 69 | 138 | 277 | 692 |
| 28 | 64 | 129 | 257 | 643 |
| 30 | 60 | 120 | 240 | 600 |
| 35 | 51 | 103 | 206 | 514 |
| 40 | 45 | 90 | 180 | 450 |
| 45 | 40 | 80 | 160 | 400 |
| 50 | 36 | 72 | 144 | 360 |
| 55 | 33 | 65 | 131 | 327 |
| 60 | 30 | 60 | 120 | 300 |
| 70 | 26 | 51 | 103 | 257 |
| 80 | 22 | 45 | 90 | 225 |
| 90 | 20 | 40 | 80 | 200 |
| 100 | 18 | 36 | 72 | 180 |
| 120 | 15 | 30 | 60 | 150 |

Figure 12.1
Dials of Typical Gas Meter



(B) Pressure Method

The pressure method determines input by measuring the pressure of the gas in the manifold in inches of water.

1. Determine correct manifold pressure from Table 13.1.
2. Locate combination gas control.
3. Move gas control knob (or lever) to off.
4. Remove the 1/8" pipe plug in outlet pressure tap in combination gas control and attach water manometer or "U" tube which is at least 12" high.
5. Follow lighting instructions and turn thermostat up to get unit to fire.
6. If pressure as indicated by "U" tube is less than 1/2" W.C. higher or lower than indicated in Table 13.1, adjust regulator as described under "Meter-Timing Method," Step 3. If pressure as indicated by "U" tube is more than 1/2" W.C. higher or lower than indicated in Table 13.1, check

CHECKING INPUT RATE

inlet pressure at unit. The inlet pressure should be 6-7" W.C. pressure on natural gas and 12-14" W.C. on propane gas. After adjustment, move gas control knob (or lever) to OFF and replace 1/8" pipe plug. With plug in place follow the lighting instructions to put unit back in service.

**Table 13.1
Manifold Pressure & Gas Consumption**

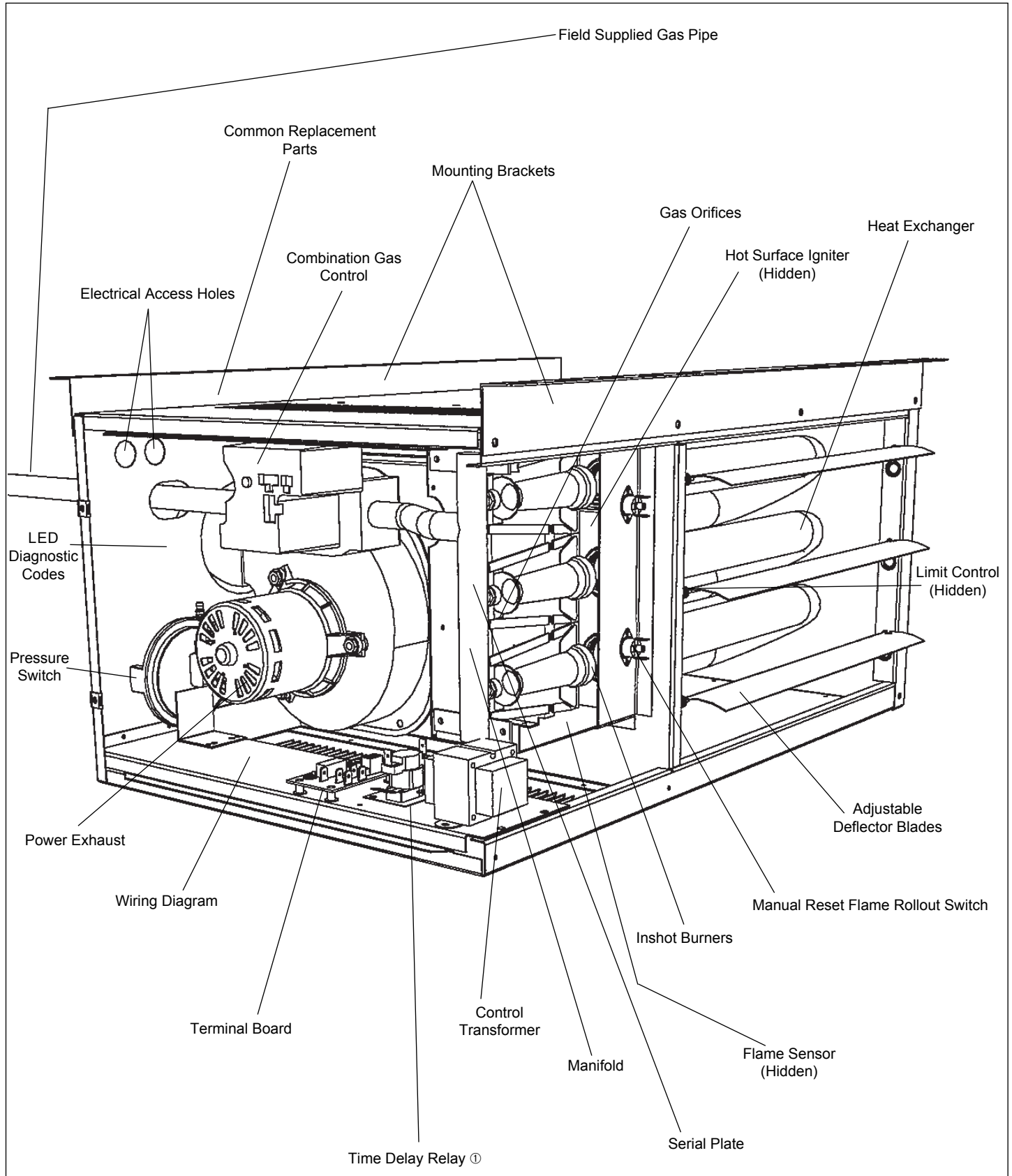
| Model Size | BTU/Cu. Ft. Specific Gravity | Natural | Propane | No. of Orifices |
|----------------------------|---------------------------------|--------------|--------------|-----------------|
| | | 1050 0.60 | 2500 1.53 | |
| Manifold Pressure In. W.C. | | 3.5 | 10.0 | |
| 30 | CFH | 28.6 | 12.0 | 2 |
| | Gal/Hr. Propane | | .33 | |
| | Sec/cu. ft. | 126 | 300 | |
| | Orifice Drill Size | 49 | 56 | |
| 45 | CFH | 42.9 | 18.0 | 3 |
| | Gal/Hr. Propane | | .50 | |
| | Sec/cu. ft. | 84 | 200 | |
| | Orifice Drill Size | 49 | 56 | |
| 60 | CFH | 57.1 | 24.0 | 4 |
| | Gal/Hr. Propane | | .66 | |
| | Sec/cu. ft. | 63 | 150 | |
| | Orifice Drill Size | 49 | 56 | |
| 75 | CFH | 71.4 | 30.0 | 5 |
| | Gal/Hr. Propane | | .83 | |
| | Sec/cu. ft. | 50 | 180 | |
| | Orifice Drill Size | 49 | 56 | |

**Table 13.2
Orifice Drill Sizes with Decimal Equivalents**

| Main Burner Orifices | | | |
|----------------------|-------------------------------|------------|-------------------------------|
| Drill Size | Dia. Decimal Equivalent | Drill Size | Dia. Decimal Equivalent |
| 49 | .0730 | 55 | .0520 |
| 50 | .0700 | 56 | .0465 |
| 51 | .0670 | 57 | .0430 |
| 52 | .0635 | 58 | .0420 |
| 53 | .0595 | 59 | .0410 |
| 54 | .0550 | | |

UNIT COMPONENTS

Figure 14.1
Major Gas, Electrical Service,
Safety and Other Components



① For series 103, the time delay relay is located on the terminal board.

UNIT COMPONENTS

Figure 15.1
Unit Heater Rear View

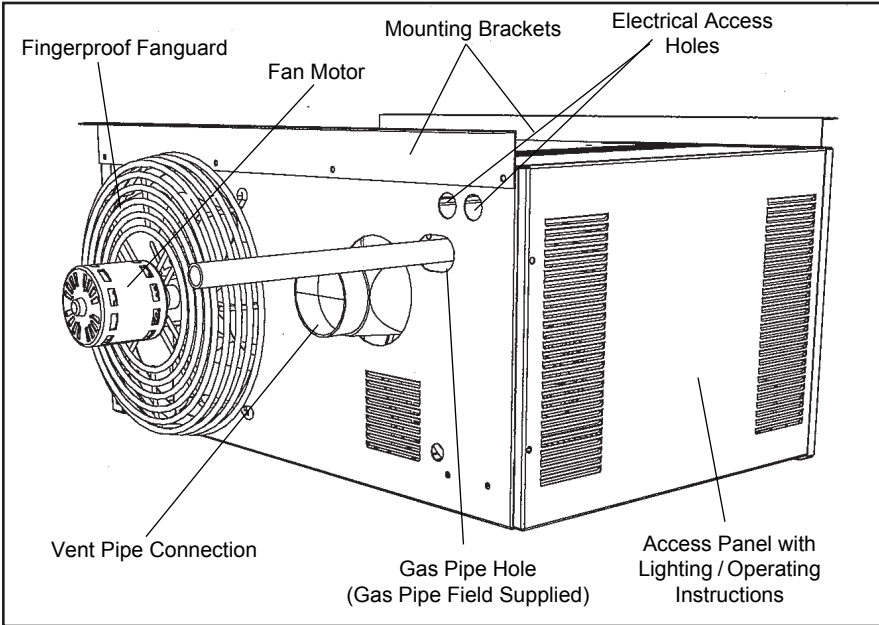


Figure 15.2
Unit Heater in Standard Mounting Configuration
(from factory this orientation - brackets not attached)

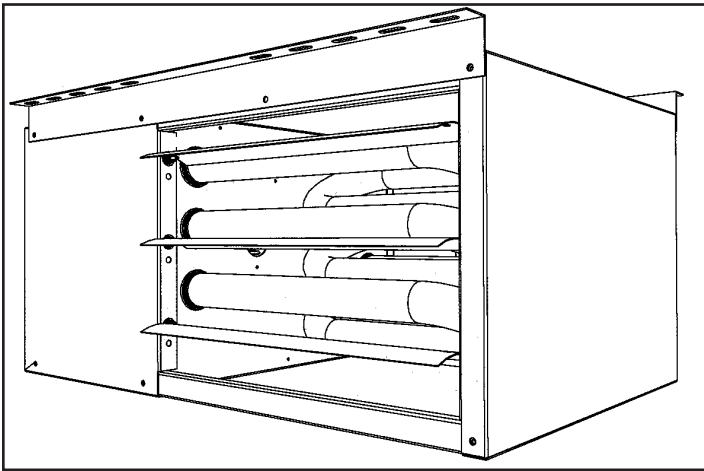
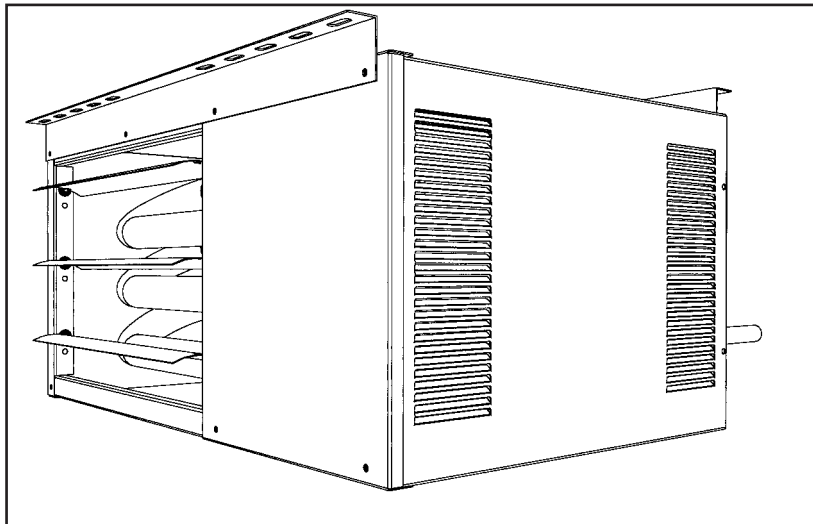
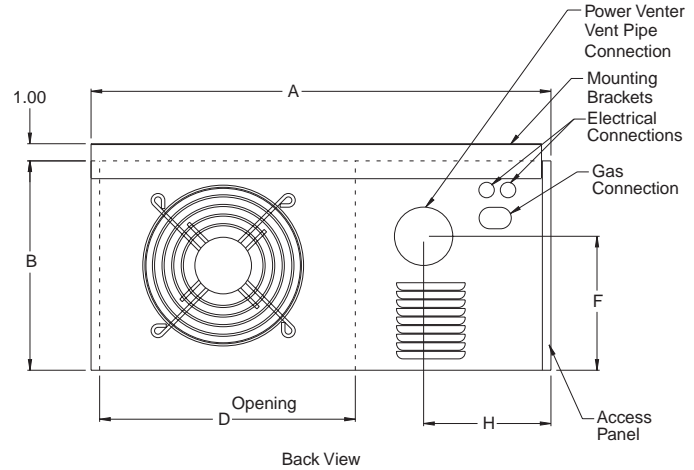
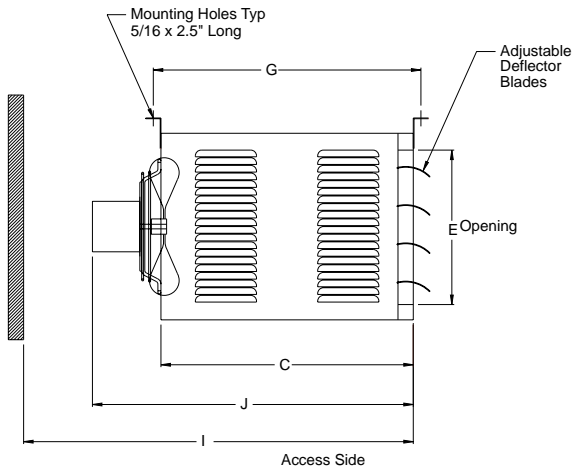


Figure 15.3
Unit Heater Turned 180°
(Access Panel and Heated Air Outlet Change Sides)



DIMENSIONS / GENERAL PERFORMANCE DATA



Dimensions (inches)

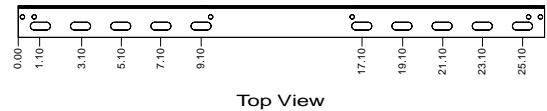
| Model Size | 30 | 45 | 60 | 75 |
|--------------------------------|------|------|------|------|
| A | 26.8 | 26.8 | 26.8 | 26.8 |
| B | 12.2 | 12.2 | 18.0 | 18.0 |
| C | 16.5 | 16.5 | 16.5 | 16.5 |
| D | 14.9 | 14.9 | 14.9 | 14.9 |
| E | 10.1 | 10.1 | 15.9 | 15.9 |
| F | 7.5 | 7.5 | 10.7 | 10.7 |
| G | 18.5 | 18.5 | 18.5 | 18.5 |
| H | 7.6 | 7.6 | 7.8 | 7.8 |
| Gas Connection | 1/2 | 1/2 | 1/2 | 1/2 |
| I | 34.5 | 34.5 | 34.5 | 34.5 |
| J | 22 | 22 | 25 | 25 |
| Fan Diameter | 10 | 10 | 14 | 14 |
| Approx. Shipping Weight (lbs.) | 55 | 60 | 80 | 85 |

Performance

| Model Size | 30 | 45 | 60 | 75 | |
|---------------------------|------------|--------|--------|--------|--------|
| Btu/Hr Input | 30,000 | 45,000 | 60,000 | 75,000 | |
| Btu/Hr Output | 24,000 | 36,000 | 48,000 | 60,000 | |
| Entering Airflow (CFM) | 505 | 720 | 990 | 1,160 | |
| Outlet Velocity | 523 | 749 | 653 | 769 | |
| Air Temp. Rise (°F) | 44 | 46 | 45 | 48 | |
| Mounting Height (Max ft.) | 10 | 10 | 12 | 14 | |
| Heat Throw (ft.) | 25 | 27 | 36 | 38 | |
| Motor Data | Horsepower | 1/25 | 1/15 | 1/12 | 1/12 |
| | RPM | 1,550 | 1,550 | 1,625 | 1,625 |
| | Type | S.P. | S.P. | P.S.C. | P.S.C. |
| | Amps | 1.5 | 2.4 | 1.2 | 1.2 |
| Unit Total Amps | 2.8 | 3.7 | 2.5 | 2.5 | |
| Vent Diameter (in.) | 3 | 3 | 3 | 3 | |

Mounting

1" - angle, mounting brackets are slotted to accommodate joists on 16" or 24" centerlines.



Clearances to Combustibles

| | |
|-----------------|-----|
| Top and Bottom | 1" |
| Vent Connector | 4" |
| Access Side | 18" |
| Non-Access Side | 1" |
| Rear | 18" |

Control Codes

| Control System Description | Control Code No. | Service Voltage | Thermostat Voltage | Type of Gas |
|--|------------------|-----------------|--------------------|-------------|
| Single Stage, Hot Surface Ignition, 100% Shut-Off, Multiple Retry with Auto Reset from Lockout. - Utilizes a single-stage combination gas control with built-in ignition control. Gas is lit with a hot surface igniter on call for heat. | 34 | 115V | 24V | natural |
| | 74 | 115V | 24V | propane |

- Ratings shown are for elevation up to 2000 feet above sea level (in Canada, refer to rating plate). For elevations above 2000 ft., ratings should be reduced by approximately 4% for each 1000 ft. above sea level.
- Mounting Height is measured from the bottom of the unit.
- Heat Throws are calculated at 65°F ambient and unit fired at full rated input. Throws for model sizes 30 and 45 are based on 8-foot mounting heights and at 10-foot heights for model sizes 60 and 75.
- S.P. = shaded pole, P.S.C. = permanent split capacitor

CONTROL OPERATING SEQUENCE

For Hot Surface Ignition

Upon a call for heat from the thermostat, power is supplied to the power exhaustor motor. The unit will go through a purge period and then the hot surface igniter will be energized. After the igniter has warmed up, the main valve in the combination control valve will open to allow gas to flow to the burners. If the fan motor has not already started it will start shortly. If a flame is not sensed for any reason the main valve will close and there will be a short purge period before ignition is tried again. If the flame is not sensed after four tries there will be at least a one hour wait before ignition is tried again.

SERVICE / MAINTENANCE / TROUBLESHOOTING

WARNING

When servicing or repairing of this equipment, use only factory- approved service replacement parts. A complete replacement parts list may be obtained by contacting the factory. Refer to the rating plate on the appliance for complete appliance model number, serial number, and company address. Any substitution of parts or controls not approved by the factory will be at the owner's risk.

CAUTION

1. Servicing or repairing of this equipment must be performed by a qualified service agency.
2. Do not attempt to reuse any mechanical or electrical controllers which have been wet. Replace defective controller.

IMPORTANT

To check most of the Possible Remedies in the troubleshooting guide listed in Table 54.1, refer to the applicable sections of the manual.

General Maintenance

The unit and venting system must be checked once a year by a qualified service technician.

Only people trained and familiar with the operation of unit heaters and their controls should service this equipment. Before any service, BE SURE TO TURN OFF GAS AT THE MANUAL SHUT-OFF VALVE AHEAD OF THE COMBINATION GAS CONTROL AND TURN OFF ALL ELECTRIC POWER TO THE HEATER.

1. Service air moving components annually.
 - a. Check fan for fit on motor shaft and for damage to blades.
2. Keep unit free from dust, dirt, grease, and foreign matter, paying particular attention to:
 - a. Combustion air inlets.
 - b. Burners and burner orifices. Turn off gas ahead of the combination gas control and shut off electric power to the heater. Remove the access panel, open the union on the gas line, and disconnect the igniter and sensor wires. Remove the screws that attach the burner tray to the header plate and remove the burner tray and manifold assembly from the heater. Carefully clean the burners with a wire brush or other suitable means. Replace any damaged or deteriorating burners or orifices. Install the burner assembly back on to the header making certain that all screws, pipes and electrical connections are tight.

CAUTION: Be careful when handling the igniter.

 1. Inspect the flame sensor and igniter for deterioration and/or cracks.
 2. Verify that the burners are touching each other at the carryover points. This will ensure flame carryover from burner to burner.
 - c. Clean exterior of heat exchanger tubes.
 - d. Fan blade.
3. Check wiring for possible loose connections.
4. Controls – See control instruction sheets furnished separately with the unit heater.
5. Power exhaust assembly – The power exhaust motor bearings have been lubricated for long life and do not require additional lubrication. In dirty atmosphere, it may be desirable to clean the motor and blower housing and blow out the cooling air passages of the motor with compressed air.

Service Instructions – Safety Devices

Limit Control (Overheat Switch)

The limit control, mounted in airstream (on access side), will shut off the gas supply to the burners in the event of overheating. It is a single pole, single throw switch. The contacts open to shut the electric gas valve off in the event the unit should overheat. This limit control should operate only when something is seriously wrong with the unit. Anytime this control operates, correct the difficulty immediately or serious damage may result. If the limit control cuts off the gas supply during normal operation:

1. Make certain the deflector blades are open and that there are not any obstructions in the air inlet or outlet.
2. Check actual input to unit against rated input.
3. Check to be sure motor is operating.
4. Check that fan is not loose on motor shaft.
5. Check fan speed against speed on motor nameplate.
6. Check to make sure the venting system is not damaged or blocked. Also check to be sure unit is venting normally and that there is not negative pressure in the building adversely affecting draft.
7. Clean heat exchanger tubes inside and out if necessary.
8. If items 1-7 do not solve the problem, check limit control and replace if necessary. To remove control, first remove access door then remove screws holding control to header.

IMPORTANT NOTE:

The limit control (overheat switch) on this unit heater will shut off the gas should excessive discharge temperatures occur. Do not attempt to control the fan with the limit control. Any change in wiring to attempt to control the fan with the limit control will result in hazardous conditions and void the warranty.

Flame Rollout Switch (or Switches)

The switch (switches), mounted on a bracket above the burners, will shut off the gas supply to the burners in the event of flame rollout. They are a single pole, single throw, manual reset switch. Anytime this control operates, correct the difficulty immediately or serious damage may result.

1. Make sure louvers in casing are not restricted.
2. Make sure power exhaust is operating properly.
3. Make sure vent is not blocked.
4. Clean inside of heat exchanger tubes.
5. Make sure area around orifices is clear.

Pressure Switch

The pressure switch (located behind the access panel) will shut off the gas supply to the burners in the event of a problem with the venting system. It is a single pole, single throw switch that is normally open. The contacts close as the power exhaust develops the necessary pressure in the vent system to discharge the flue gases. If it is suspected the pressure switch is not closing or if the switch may be opening under normal conditions;

1. Check the vent system and remove any obstructions in the vent.
2. Check the rubber tube behind the access panel, make sure it is securely connected to the pressure switch and the power exhaust housing.

SERVICE / MAINTENANCE / TROUBLESHOOTING

- Check if there is flow at the vent terminal, if there is flow replace the pressure switch, if there is no flow check the power exhauster.

Hot Surface igniter

The hot surface igniter (located behind the access panel and under the combination gas control) will ignite the gas. It is a ceramic device that will glow red when it heats up to ignite the gas. If the hot surface igniter does not glow red after the purge period, check the resistance of the igniter. If the resistance is greater than 100 ohms then the igniter must be replaced.

To replace the igniter; unplug the lead from the igniter to the combination gas control, remove the two screws holding the igniter (if desired you can remove the manifold assembly to get easier access to the screws). **VERY CAREFULLY** install the new igniter into the panel and plug into the wire harness

LED Diagnostic Capability

The LED on top of the combination gas control indicates the condition of the control system. The following codes and what they mean follows:

(this information also appears on the unit)

| LED DIAGNOSTIC CODES | |
|----------------------|---|
| Off | No power to system |
| Bright-Dim | Normal operation |
| 2 Flashes | Pressure switch closed longer than 30 seconds |
| 3 Flashes | Pressure switch open longer than 30 seconds |
| 4 Flashes | Limit Control or Flame Rollout Switch Open |
| 5 Flashes | Flame signal sensed out of sequence |
| 6 Flashes | System lockout |

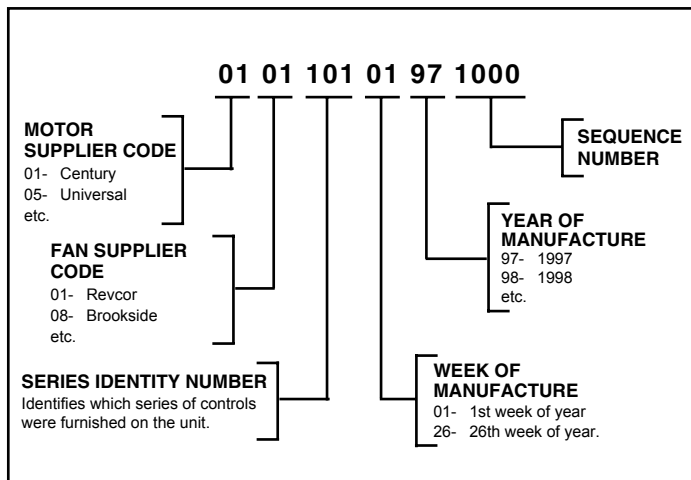
FOR SERVICE

If a qualified service person cannot solve the problem, consult your local gas company or local Hamilton Home Products, Inc. representative.

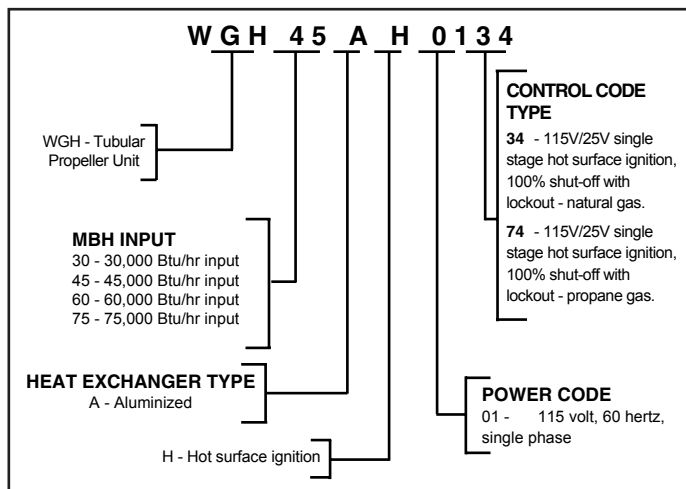
When servicing, repairing or replacing parts on these units always give the complete Model Number and Serial Number from the unit rating plate.

The samples below show where these numbers can be found.

Serial Number Designations (Remove access cover to locate)



Model Number Designations (Remove access cover to locate)



Replacement Parts

When requesting parts please contact your local representative. Please have full model and serial number available. If you require assistance in locating your representative, please call the number located on the back page.

SERVICE / MAINTENANCE / TROUBLESHOOTING

Table 20.1
Troubleshooting

| TROUBLE | POSSIBLE CAUSE | POSSIBLE REMEDY |
|--|---|--|
| Unit does nothing. | <ol style="list-style-type: none"> 1. Power supply is off 2. No 24V power to thermostat 3. Thermostat malfunction 4. If LED flashes bright / dim check 5. Defective control | <ol style="list-style-type: none"> 1. Turn on main power. 2 a. Check control transformer <ol style="list-style-type: none"> b. If failed transformer - check thermostat wire gage and length 3 a. Verify wire connections to R&W terminals only <ol style="list-style-type: none"> b. Check / replace thermostat 4. Check LED code at gas valve thermostat and connection 5. Replace control |
| LED light off or flashing. | <ol style="list-style-type: none"> 1. Light off - no power 2. Two flashes - pressure switch closed. 3. Three flashes - pressure switch open. 4. Four flashes - limit or flame rollout switch 5. Five flashes - Flame signal sensed out of sequence. 6. Six flashes - System lockout | <ol style="list-style-type: none"> 1. Check main power 2 a. Check for blocked or improper venting. <ol style="list-style-type: none"> b. Check vent motor hose / connection replace or reconnect c. Check pressure switch. d. Check power exhaustor motor. 3 a. Check to insure control switch in "ON" position <ol style="list-style-type: none"> b. Check for incorrect or blocked venting c. Check pressure switch 4 a. Check limit and flame controls and connections <ol style="list-style-type: none"> b. If flame rollout switch OK, but tripped: <ol style="list-style-type: none"> 1. Main gas pressure too high 2. Manifold orifice incorrect - too large 3. Incorrect unit clearance to surrounding wall/ceiling 4. Check for negative pressure in building 5. Incorrect or blocked venting 6. Access panel vent louvers wrong direction - reverse panel. 7. Area around main gas orifices blocked with debris 8. Unit louvers closed. 9. Heat exchanger tube(s) blocked with debris 5. Flame at main burners 6 a. Gas supply off or too low. <ol style="list-style-type: none"> b. Damaged or broken Ignitor. c. No line voltage. d. Unit not properly grounded. e. Check flame sense rod. |
| Unit starts but does not ignite. | <ol style="list-style-type: none"> 1. Main gas is off. 2. Air in gas line. 3. Main or manifold gas pressure 4. Check gas valve switch. | <ol style="list-style-type: none"> 1. Open manual gas valve . 2. Purge gas line. 3. Set gas pressures per manual instructions 4. Set gas valve switch to "ON" position |
| Unit goes through cycle but the burners go out in less then 10 seconds | <ol style="list-style-type: none"> 1. Reversed main power polarity 2. Unit not grounded 3. Flame not sensed | <ol style="list-style-type: none"> 1. Black wire - HOT, White wire - NEUTRAL, Green wire - Ground 2. Ground unit and verify quality of ground connection. 3. Check flame sense probe and connection |
| Air circulating fan inoperable | <ol style="list-style-type: none"> 1. Loose connections 2. Defective Fan time delay relay 3. Defective fan motor | <ol style="list-style-type: none"> 1. Check all connections 2. Check fan time delay relay 3. Check fan motor |

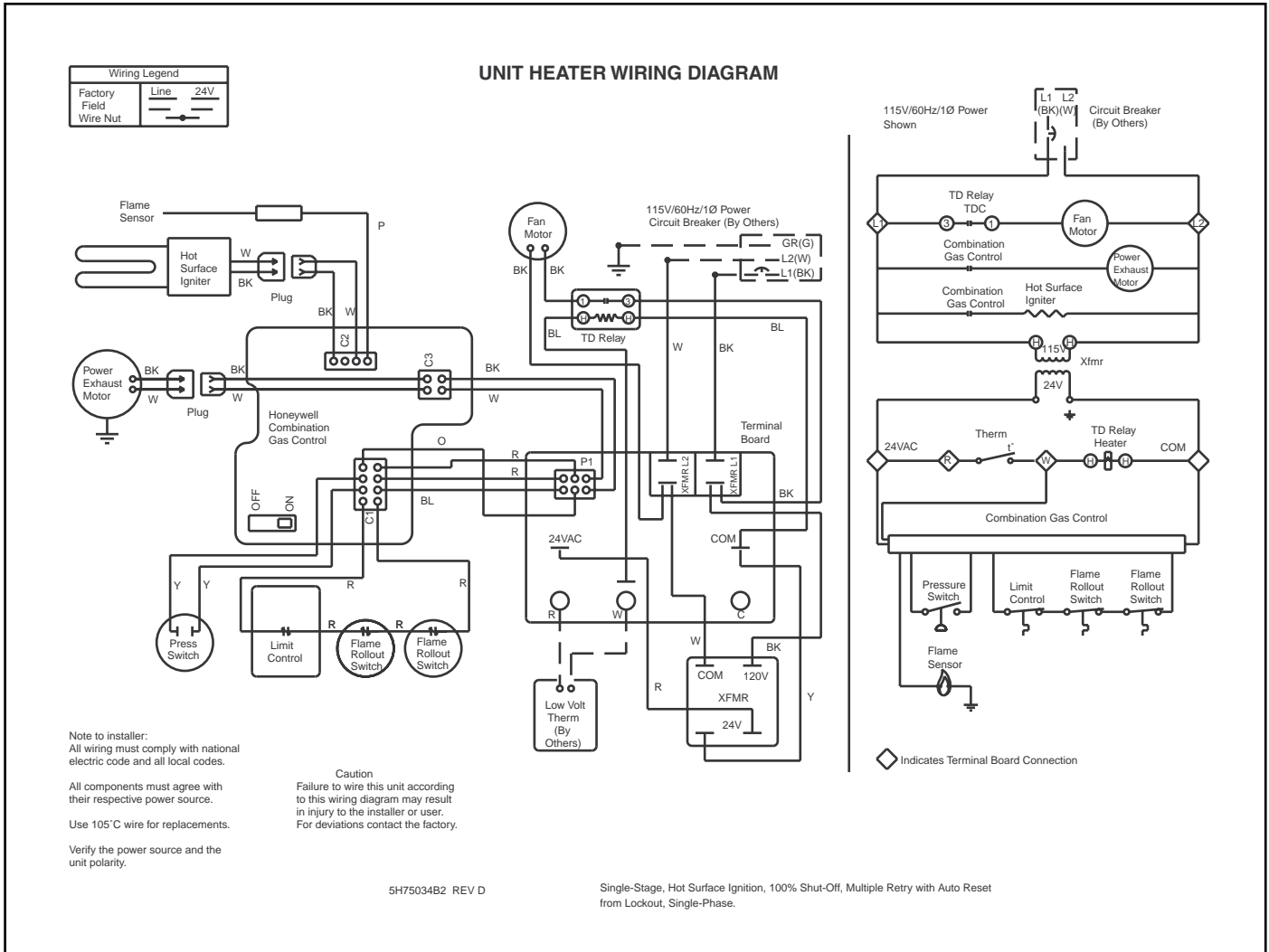
UNIT WIRING

Wiring Diagram Selection

Since internal or factory wiring may vary depending on controls manufacturer, the wiring diagrams must be selected with the series identity number when installing, servicing, or troubleshooting a unit heater control system. Wiring diagrams that follow are for units with the corresponding series identity number that may be found in the 5th through the 7th digits of the

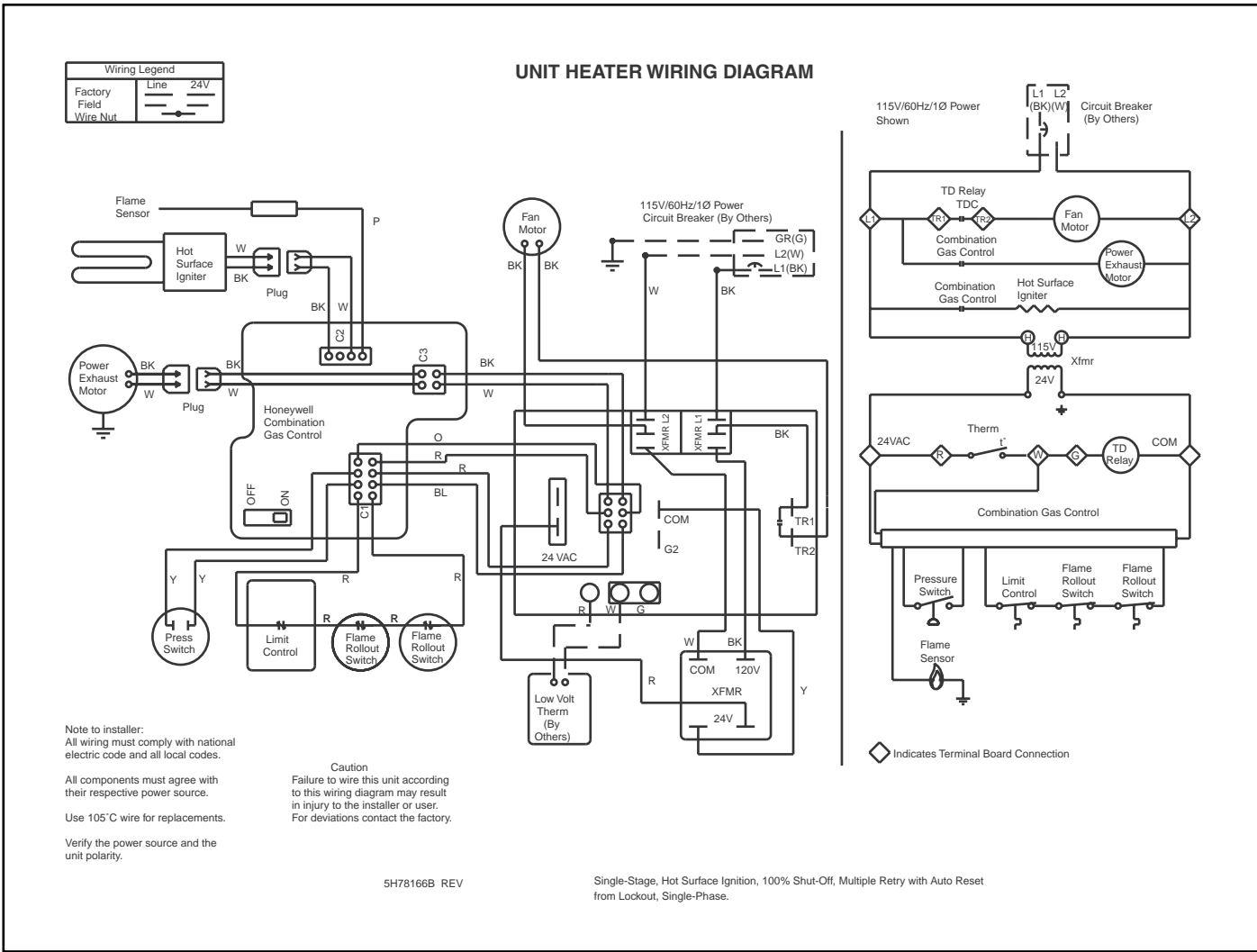
serial number. For example, a unit with the serial number "30011023601-0981" has the 5th through the 7th digits as 102 as shown underlined above. Match the series ID from the unit serial plate with the series ID listed in the heading of the following diagrams to determine which diagram corresponds to your unit.

Figure 21.1
Unit Heater Wiring Diagram (Series 101 & 102)



UNIT WIRING

Figure 22.1
Unit Heater Wiring Diagram (Series 103)



**HAMILTON HOME PRODUCTS, INC.
LIMITED WARRANTY
(Residential Use Only)**

WHAT THIS WARRANTY COVERS

This warranty covers all defects in material and workmanship in your Hamilton unit heater, when used for your home or garage.

WHAT THIS WARRANTY DOES NOT COVER

Unit heater, or any of its parts:

1. which have been improperly installed or removed.
2. which have been damaged other than by normal use.
3. which have not been properly maintained.
4. which have been exposed to gas input more than 5% higher than specified on the serial plate of the unit heater, resulting in over-firing of the heater.
5. which have been exposed to possibly corrosive chemicals or chemical vapors (such as found in swimming pools), or potentially explosive or flammable atmospheres laden with grain dust, sawdust, or similar air-borne materials.
6. where any defect has been caused by abuse, misuse, neglect, carelessness, or accident.
7. where the serial number of the unit heater has been altered, defaced, or removed.
8. which are used in a confined space without adequate combustion air, such as can be found in more air-tight construction.

WHO THIS WARRANTY COVERS

This warranty covers the purchaser of the unit heater or anyone else who owns it during the warranty period.

HOW LONG THE WARRANTY LASTS

1. The warranty for the heat exchanger of the unit heater remains in force for ten years from the date you purchased the unit heater.
2. The warranty on all other parts of the heater remains in force for two years from the date you purchased the unit heater.

WHAT HAMILTON WILL DO TO CORRECT ANY PART OR EQUIPMENT FAILURES DURING THE WARRANTY PERIOD

Should your Garage Heater fail within the warranty period, Hamilton will provide replacement part(s) at no charge, excluding shipping and handling charges. To file a warranty claim and/or obtain warranty replacement parts, you must first, within the period of warranty coverage, contact Hamilton Home Products, Inc. at 1.800.879.0123.

WHAT HAMILTON WILL NOT DO

Hamilton will not reimburse you for any labor costs or service charges related to warranty repairs or replacements.

INCIDENTAL AND CONSEQUENTIAL DAMAGES DISCLAIMED

This warranty does not cover incidental damages, such as use of substitute heating equipment, or other costs arising from the loss of use of the unit heater. This warranty also does not cover consequential damages, such as the cost of repairing or replacing other property which is damaged when this unit heater does not work properly.

HOW STATE LAW RELATES TO THIS WARRANTY

Some states do not allow the exclusion or limitation of incidental or consequential damages so the above limitations or exclusions may not apply to you.

This warranty gives you specific legal rights, and you may also have other rights which vary from state to state.

COMMERCIAL WARRANTY

Seller warrants its products to be free from defects in material and workmanship, EXCLUSIVE, HOWEVER, of failures attributable to the use of materials substituted under emergency conditions for materials normally employed. This warranty covers replacement of any parts furnished from the factory of Seller, but does not cover labor of any kind and materials not furnished by Seller, or any charges for any such labor or materials, whether such labor, materials or charges thereon are due to replacement of parts, adjustments, repairs, or any other work done. This warranty does not apply to any equipment which shall have been repaired or altered outside the factory of Seller in any way so as, in the judgment of Seller, to affect its stability, nor which has been subjected to misuse, negligence, or operating conditions in excess of those for which such equipment was designed. This warranty does not cover the effects of physical or chemical properties of water or steam or other liquids or gases used in the equipment.

BUYER AGREES THAT SELLER'S WARRANTY OF ITS PRODUCTS TO BE FREE FROM DEFECT IN MATERIAL AND WORKMANSHIP, AS LIMITED HEREIN, SHALL BE IN LIEU OF AND EXCLUSIVE OF ALL OTHER WARRANTIES, EITHER EXPRESS OR IMPLIED, WHETHER ARISING FROM LAW, COURSE OF DEALING, USAGE OF TRADE, OR OTHERWISE, **THERE ARE NO OTHER WARRANTIES, INCLUDING WARRANTY OF MERCHANTABILITY OR FITNESS FOR PURPOSE, WHICH EXTEND BEYOND THE PRODUCT DESCRIPTION CONFIRMED BY BUYER AND SELLER AS OF THE DATE OF FINAL AGREEMENT.**

This warranty is void if the input to the product exceeds the rated input as indicated on the product serial plate by more than 5% on gas-fired and oil-fired units, or if the product in the judgment of SELLER has been installed in a corrosive atmosphere, or subjected to corrosive fluids or gases, been subjected to misuse, negligence, accident, excessive thermal shock, excessive humidity, physical damage, impact, abrasion, unauthorized alterations, or operation contrary to SELLER'S printed instructions, or if the serial number has been altered, defaced or removed.

Heat Exchangers

For Seller's non-separated combustion Gas-Fired Unit Heaters BUYER'S REMEDY FOR BREACH OF WARRANTY, EXCLUSIVE OF ALL OTHER REMEDIES PROVIDED BY LAW, IS LIMITED TO REPAIR OR REPLACEMENT AT THE FACTORY OF SELLER, ANY HEAT EXCHANGER WHICH SHALL, WITHIN TEN YEARS FROM DATE OF FIRST BENEFICIAL USE BY BUYER OR ANY OTHER USER, WITHIN TEN YEARS FROM DATE OF RESALE BY BUYER OR ANY OTHER USER, WITHIN TEN YEARS FROM DATE OF RESALE BY BUYER IN ANY UNCHANGED CONDITION, OR WITHIN ONE HUNDRED TWENTY-SIX MONTHS FROM DATE OF SHIPMENT FROM SELLER, WHICHEVER OCCURS FIRST, BE RETURNED TO SELLER WITH TRANSPORTATION CHARGES PREPAID AND WHICH THE EXAMINATION OF SELLER SHALL DISCLOSE TO HAVE BEEN DEFECTIVE; EXCEPT THAT WHEN THE PRODUCT IS TO BE USED BY BUYER AS A COMPONENT PART OF EQUIPMENT MANUFACTURED BY BUYER, BUYER'S REMEDY FOR BREACH, AS LIMITED HEREIN, SHALL BE LIMITED TO ONE YEAR FROM DATE OF SHIPMENT FROM SELLER. FOR GAS-FIRED PRODUCTS INSTALLED IN HIGH HUMIDITY APPLICATIONS AND UTILIZING STAINLESS STEEL HEAT EXCHANGERS, BUYER'S REMEDY FOR BREACH, AS LIMITED HEREIN, SHALL BE LIMITED TO TEN YEARS FROM DATE OF SHIPMENT FROM SELLER.

For Seller's Low Intensity Gas-Fired Infrared Heaters BUYER'S REMEDY FOR BREACH OF WARRANTY, EXCLUSIVE OF ALL OTHER REMEDIES PROVIDED BY LAW, IS LIMITED TO REPAIR OR REPLACEMENT AT THE FACTORY OF SELLER, ANY HEAT EXCHANGER WHICH SHALL, WITHIN FIVE YEARS FROM DATE OF FIRST BENEFICIAL USE BY BUYER OR ANY OTHER USER, WITHIN FIVE YEARS FROM DATE OF RESALE BY BUYER OR ANY OTHER USER, WITHIN FIVE YEARS FROM DATE OF RESALE BY BUYER IN ANY UNCHANGED CONDITION, OR WITHIN 66 MONTHS FROM DATE OF SHIPMENT FROM SELLER, WHICHEVER OCCURS FIRST, BE RETURNED TO SELLER WITH TRANSPORTATION CHARGES PREPAID AND WHICH THE EXAMINATION OF SELLER SHALL DISCLOSE TO HAVE BEEN DEFECTIVE; EXCEPT THAT WHEN THE PRODUCT IS TO BE USED BY BUYER AS A COMPONENT PART OF EQUIPMENT MANUFACTURED BY BUYER, BUYER'S REMEDY FOR BREACH, AS LIMITED HEREIN, SHALL BE LIMITED TO ONE YEAR FROM DATE OF SHIPMENT FROM SELLER.

Heat Exchanger (Condensers) for all Seller's products except non-separated combustion Gas-Fired Unit Heaters and Infrared Heaters, all Burners except Infrared Heaters, and Sheet Metal for all Seller's products BUYER'S REMEDY FOR BREACH OF WARRANTY, EXCLUSIVE OF ALL OTHER REMEDIES PROVIDED BY LAW, IS LIMITED TO REPAIR OR REPLACEMENT AT THE FACTORY OF SELLER, ANY HEAT EXCHANGER (CONDENSER) OR BURNER WHICH SHALL, WITHIN ONE YEAR FROM DATE OF FIRST BENEFICIAL USE BY BUYER OR ANY OTHER USER, WITHIN ONE YEAR FROM DATE OF RESALE BY BUYER IN ANY

UNCHANGED CONDITION, OR WITHIN EIGHTEEN MONTHS FROM DATE OF SHIPMENT FROM SELLER, WHICHEVER OCCURS FIRST, BE RETURNED TO SELLER WITH TRANSPORTATION CHARGES PREPAID AND WHICH THE EXAMINATION OF SELLER SHALL DISCLOSE TO HAVE BEEN DEFECTIVE; EXCEPT THAT WHEN THE PRODUCT IS TO BE USED BY BUYER AS A COMPONENT PART OF EQUIPMENT MANUFACTURED BY BUYER, BUYER'S REMEDY FOR BREACH, AS LIMITED HEREIN, SHALL BE LIMITED TO ONE YEAR FROM DATE OF SHIPMENT FROM SELLER.

Burners

For Seller's Low Intensity Gas-Fired Infrared Heaters BUYER'S REMEDY FOR BREACH OF WARRANTY, EXCLUSIVE OF ALL OTHER REMEDIES PROVIDED BY LAW, IS LIMITED TO REPAIR OR REPLACEMENT AT THE FACTORY OF SELLER, ANY BURNER WHICH SHALL, WITHIN TWO YEARS FROM DATE OF FIRST BENEFICIAL USE BY BUYER OR ANY OTHER USER, WITHIN TWO YEARS FROM DATE OF RESALE BY BUYER IN ANY UNCHANGED CONDITION, OR WITHIN 30 MONTHS FROM DATE OF SHIPMENT FROM SELLER, WHICHEVER OCCURS FIRST, BE RETURNED TO SELLER WITH TRANSPORTATION CHARGES PREPAID AND WHICH THE EXAMINATION OF SELLER SHALL DISCLOSE TO HAVE BEEN DEFECTIVE; EXCEPT THAT WHEN THE PRODUCT IS TO BE USED BY BUYER AS A COMPONENT PART OF EQUIPMENT MANUFACTURED BY BUYER, BUYER'S REMEDY FOR BREACH, AS LIMITED HEREIN, SHALL BE LIMITED TO ONE YEAR FROM DATE OF SHIPMENT FROM SELLER.

For Seller's High Intensity Gas-Fired Infrared Heaters BUYER'S REMEDY FOR BREACH OF WARRANTY, EXCLUSIVE OF ALL OTHER REMEDIES PROVIDED BY LAW, IS LIMITED TO REPAIR OR REPLACEMENT AT THE FACTORY OF SELLER, ANY BURNER WHICH SHALL, WITHIN TEN YEARS FROM DATE OF FIRST BENEFICIAL USE BY BUYER OR ANY OTHER USER, WITHIN TEN YEARS FROM DATE OF RESALE BY BUYER IN ANY UNCHANGED CONDITION, OR WITHIN 126 MONTHS FROM DATE OF SHIPMENT FROM SELLER, WHICHEVER OCCURS FIRST, BE RETURNED TO SELLER WITH TRANSPORTATION CHARGES PREPAID AND WHICH THE EXAMINATION OF SELLER SHALL DISCLOSE TO HAVE BEEN DEFECTIVE; EXCEPT THAT WHEN THE PRODUCT IS TO BE USED BY BUYER AS A COMPONENT PART OF EQUIPMENT MANUFACTURED BY BUYER, BUYER'S REMEDY FOR BREACH, AS LIMITED HEREIN, SHALL BE LIMITED TO ONE YEAR FROM DATE OF SHIPMENT FROM SELLER.

All Other Components Excluding Heat Exchanger (Condenser), Burner, and Sheet Metal

For all Seller's products except Direct-Fired Heaters and High Intensity Gas-Fired Infrared Heaters BUYER'S REMEDY FOR BREACH OF WARRANTY, EXCLUSIVE OF ALL OTHER REMEDIES PROVIDED BY LAW, IS LIMITED TO REPAIR OR REPLACEMENT AT THE FACTORY OF SELLER, ANY PART OR PARTS WHICH SHALL, WITHIN TWO YEARS FROM DATE OF FIRST BENEFICIAL USE BY BUYER OR ANY OTHER USER, WITHIN TWO YEARS FROM DATE OF RESALE BY BUYER IN ANY UNCHANGED CONDITION, OR WITHIN THIRTY MONTHS FROM DATE OF SHIPMENT FROM SELLER, WHICHEVER OCCURS FIRST, BE RETURNED TO SELLER WITH TRANSPORTATION CHARGES PREPAID AND WHICH THE EXAMINATION OF SELLER SHALL DISCLOSE TO HAVE BEEN DEFECTIVE; EXCEPT THAT WHEN THE PRODUCT IS TO BE USED BY BUYER AS A COMPONENT PART OF EQUIPMENT MANUFACTURED BY BUYER, BUYER'S REMEDY FOR BREACH, AS LIMITED HEREIN, SHALL BE LIMITED TO ONE YEAR FROM DATE OF SHIPMENT FROM SELLER.

For Seller's Direct-Fired Heaters and High Intensity Gas-Fired Infrared Heaters BUYER'S REMEDY FOR BREACH OF WARRANTY EXCLUSIVE OF ALL OTHER REMEDIES PROVIDED BY LAW IS LIMITED TO REPAIR OR REPLACEMENT AT THE SELLER'S OPTION ANY PART OR PARTS WHICH SHALL WITHIN A PERIOD OF ONE YEAR FROM DATE OF FIRST BENEFICIAL USE BY BUYER OR ANY OTHER USER, WITHIN ONE YEAR FROM DATE OF RESALE BY BUYER IN ANY UNCHANGED CONDITION, OR WITHIN 18 MONTHS FROM DATE OF SHIPMENT FROM SELLER, WHICHEVER OCCURS FIRST, BE RETURNED TO SELLER WITH TRANSPORTATION CHARGES PREPAID AND WHICH THE EXAMINATION OF THE SELLER SHALL DISCLOSE TO HAVE BEEN DEFECTIVE.

BUYER AGREES THAT IN NO EVENT WILL SELLER BE LIABLE FOR COSTS OF PROCESSING, LOST PROFITS, INJURY TO GOODWILL, OR ANY OTHER CONSEQUENTIAL OR INCIDENTAL DAMAGES OF ANY KIND RESULTING FROM THE ORDER OR USE OF ITS PRODUCT, WHETHER ARISING FROM BREACH OF WARRANTY, NONCONFORMITY TO ORDERED SPECIFICATIONS, DELAY IN DELIVERY, OR ANY LOSS SUSTAINED BY THE BUYER.

Hamilton Home Products, Inc. has a continuous product improvement program;
it reserves the right to change design and specifications without notice.

• FOR RESIDENTIAL USE SEE LIMITED CONSUMER WARRANTY ON PREVIOUS PAGE.



Hamilton Home Products, Inc.

Hamilton Home Products, Inc.

Columbus, Ohio 43212

Phone: 1.800.879.0123

www.hamiltonhomeproducts.com