

# USERS INFORMATION MANUAL



## DOWNFLOW SINGLE AND TWO STAGE ELECTRIC FURNACE

### For Installation In:

1. Manufactured (Mobile) Home
2. Recreational Vehicle
3. Modular Homes & Buildings
4. Residential Homes

## MODELS: WEFC & WEFX SERIES

### LIST OF SECTIONS – USERS INFORMATION MANUAL

1 – General	1	4 – Start Up & Shutdown Instructions	4
2 – Safety	2	5 – Owner Maintenance	4
3 – Owners Information & Seasonal Information	3		

### LIST OF SECTIONS – SERVICE AND MAINTENANCE MANUAL

1 – Safety	7	5 – Trouble Shooting	11
2 – Furnace Maintenance	8	6 – Blower Performance	14
3 – Furnace Controls	9	7 – Accessories Parts	22
4 – Sequence of Operation	9	8 – Replacement Parts	23

### LIST OF FIGURES

1 – Component Locations	3	11 – Time Delay Relay Terminal Designations	11
2 – Return Air Louvered Door	5	12 – X-13 Motor Terminal Locations	11
3 – Return Air Louvered Door Filter Locations	5	13 – Heater Relay Terminal Designations	12
4 – Coil Cabinet Top Pleated Filter Location	6	14 – Blower Mounting Plate and Screw Locations	12
5 – 97 FG “A” Coil Hanging Filter Location	6	15 – Replacement Parts Drawing 1/3 HP PSC Motor	23
6 – Replacing The Coil Cabinet Front Door	6	16 – Replacement Parts Drawing 1/3 HP X-13 Motor	24
7 – Control Box Cover	8	17 – Replacement Parts Drawing 1/2 HP X-13 Motor	25
8 – Blower Assembly and Mounting Screw Location	8	18 – Replacement Parts Drawing 3/4 HP X-13 Motor	26
9 – Control Box and Blower Component Locations	9	19 – Replacement Parts Drawing 1/2 HP PSC Motor	27
10 – PSC Motor Speed Tap Isolation Relay	10	20 – Replacement Parts Drawing 3/4 HP PSC Motor	28

### LIST OF TABLES

1 – X-13 Motor Terminal Connections	11	8 – Blower Performance 3/4 HP - PSC Motor	21
2 – Factory Speed Tap Settings	13	9 – Accessory Parts List	22
3 – Blower Performance 1/3 HP – PSC Motor	14	10 – Replacement Parts List 1/3 HP – PSC Motor	23
4 – Blower Performance 1/3 HP – X-13 Motor	15	11 – Replacement Parts List 1/3 HP – X-13 Motor	24
5-1 – Blower Performance 1/2 HP - X-13 Motor	16	12 – Replacement Parts List 1/2 HP – X-13 Motor	25
5-2 – Blower Performance 1/2 HP - X-13 Motor	17	13 – Replacement Parts List 3/4 HP - X-13 Motor	26
6 – Blower Performance 3/4 HP - X-13 Motor	18	14 – Replacement Parts List 1/2 HP - PSC Motor	27
7-1 – Blower Performance 1/2 HP - PSC Motor	19	15 – Replacement Parts List 3/4 HP – PSC Motor	28
7-2 – Blower Performance 1/2 HP - PSC Motor	20		

### CONTACT INFORMATION

Contact us by mail: Manufactured and Distributed by

Mortex Products Inc.  
501 Terminal Rd  
Fort Worth, TX 76106

[www.mortx.com](http://www.mortx.com)

## SECTION I: GENERAL

The following list includes important facts and information regarding the electric furnace and its inclusions.

1. Furnace is rated at 240 volts AC at 60 Hertz
2. Furnace is the same cabinet size for all models
3. All furnaces are equipped with a blower for A/C or Heat Pump operation.
4. This furnace is designed for downflow and horizontal application.
5. This furnace must not be operated without furnace door installed.

NOTE: This furnace and its components listed on the A/C and Heat Pump equipment sticker were listed in combination as a system by ETL for the United States.

### WARNING

#### FIRE OR ELECTRICAL HAZARD

Failure to follow the safety warnings exactly could result in serious injury, death, or property damage.

A fire or electrical hazard may result causing property damage, personal injury or loss of life.

Do not store or use gasoline or other flammable vapors and liquids in the vicinity of this or any other appliance

USERS MUST READ ALL INSTRUCTIONS IN THIS MANUAL AND THIS MANUAL MUST BE SAVED FOR FUTURE REFERENCE

## SECTION II: SAFETY



This is a safety alert symbol. When you see this symbol on labels or in manuals; be alert to the potential for personal injury.

Understand and pay particular attention to the signal words **DANGER**, **WARNING**, or **CAUTION**.

**DANGER:** indicates an **imminently** hazardous situation, which if not avoided, **will result in death or serious injury**.

**WARNING:** indicates a **potentially** hazardous situation, which if not avoided, **could result in death or serious injury**.

**CAUTION:** indicated a **potentially** hazardous situation, which if not avoided, **may result in minor or moderate injury**. It is also used to alert against unsafe practices and hazards involving property damage.

### **WARNING**

Any adjustment, service or maintenance by the home owner and/or user may create a condition where the operation of the product could cause personal injury or property damage.

Only qualified service personnel, a contractor, or an installer may refer to the service and maintenance section of this manual for assistance or for additional information on this appliance.

### **CAUTION**

This product requires periodic routine maintenance and cleaning of the exterior surfaces by the homeowner or user to remove dust and debris. Any additional service must be performed by qualified personnel. This appliance must be serviced and maintained as specified in these instructions and/or to any applicable local, state, and national codes including, but not limited to building, electrical, and mechanical codes.

### **WARNING**

#### **FIRE OR ELECTRICAL HAZARD**

Failure to follow the safety warnings exactly could result in serious injury, death, or property damage.  
A fire or electrical hazard may result causing property damage, personal injury or loss of life.

## SAFETY REQUIREMENTS

1. This electric furnace must be kept clear and free of combustible materials, gasoline and other flammable vapors and liquids.
2. Insulating materials may be combustible. The furnace must be kept free and clear of insulating materials. The furnace area must be examined when installed in an insulated space or when insulation is added to be sure that the insulation material has been kept away from the furnace.
3. Follow the instructions exactly as shown in Startup and Shutdown Section in this manual to properly Startup or Shutdown this appliance.
4. If overheating occurs, turn off the power to the furnace and contact a qualified contractor, installer, or service agency.

### **DANGER**

Do not use this furnace if any part has been under water. A flood damaged furnace is extremely dangerous. Attempts to use the furnace can result in a fire.

A qualified contractor, installer, or service agency must be contacted to inspect the furnace for any water damage and replace all components, control system parts, or electrical parts that have been damaged. If enough damage is present, the furnace may need to be replaced

5. NEVER - Store flammable materials of any kind near your furnace. Gasoline, solvents and other volatile liquids should be stored only in approved containers outside the home. These materials vaporize easily and are extremely dangerous.
6. NEVER – Store cleaning materials such as bleaches, detergents, powder cleaners, etc. near the furnace. These chemicals can cause corrosion of the furnace sheet metal and the electric heaters, the blower and the electrical controls.
7. NEVER – Use the area around the furnace as a storage area for items which could block or obstruct the normal air flow to the furnace or the space around the furnace. The flow of air is required for safe and proper operation. Never block or obstruct air openings used for ventilation and cooling of the furnace electrical components.
8. Refer to the furnace rating plate for the furnace model number, for the operating specifications for safe operation.
9. Provide clearances for servicing ensuring service access is allowed for the control box, electric elements and the blower.
10. Failure to carefully read and follow all instructions in this manual can result in malfunction of the furnace, death, personal injury, and/or property damage.
11. If the furnace is installed in a residential garage it must be installed so that the electric heaters are located not less than 18 inches above the floor and the furnace must be located or protected to avoid physical damage by vehicles.

## ▲ WARNING

### FIRE OR ELECTRICAL HAZARD

Servicing heating/cooling equipment can be hazardous due to electrical components.

Only trained and qualified personnel can service or repair heating/cooling equipment. The home owner **must never** try to perform service, repair or maintenance on this appliance.

**Untrained service personnel can perform only basic maintenance functions such as cleaning of exterior surfaces and replacing the air filters.**

Observe all precautions in the manuals and on the attached labels when working on this appliance

12. These instructions cover minimum requirements and conform to existing national standards and safety codes. In some instances these instructions exceed certain local codes and ordinances, especially those who have not kept up with changing mobile home, modular home and HUD construction practices. These instructions are to be followed and are the minimum requirement to perform service or repairs on this appliance.

## SECTION III: OWNERS INFORMATION AND SEASONAL INFORMATION

### How The Furnace Works

This furnace may be installed in the downflow position. Figure 1 shows a typical model in the downflow position. The furnace is equipped with a relay(s), time delay relay, transformer, circuit breakers, and a blower assembly. The transformer provides 24 VAC to the thermostat. When the thermostat calls for heat the relay(s) energize sending 240 VAC thru the limit switches to the electric heaters causing them to get hot. The indoor fan motor is then energized on the low speed tap and the circulating blower draws cool air from the living space(s), passes it across the heater coils and circulates the warmed air through the duct work to the living space(s). When the thermostat is satisfied the electric heaters are de-energized. The blower is also de-energized and the heating cycle has ended and the furnace is ready for the next call for heat to start the next cycle.

The furnace is equipped with the controls necessary for proper and safe operation. Circuit breakers and fuse location are shown in Figure 1.

### Examination of the furnace

The home owner should perform a visual examine the furnace every month for any defects or problems. The items to be inspected are:

1. The physical support of the furnace is sound without sagging cracks, gaps, etc. around the base so as to provide a seal between the support and the base.
2. The furnace casing for any obvious signs of deterioration from rust or corrosion.
3. The return and supply duct connections are physically sound and are sealed to the furnace casing.

4. The furnace must be serviced by qualified personnel annually, preferably at the start of each heating season.

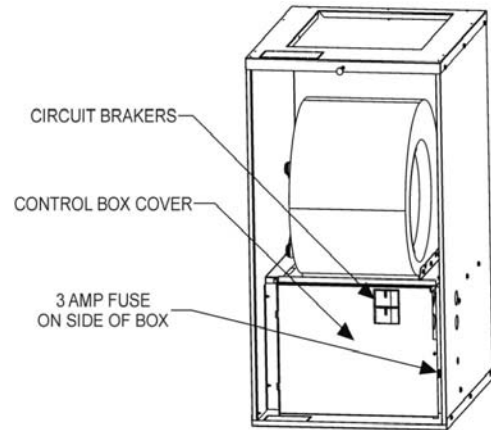


Figure 1: Circuit Breaker Locations

### The Service Technician

The furnace's best friend is a qualified service technician. If the unit gives any indication of improper operation, call the service technician. The service technician is allowed to perform the normal routine care of your furnace. He can detect potential problems and make corrections before trouble develops. Preventative maintenance of this type will allow the furnace to operate with minimal concerns to the homeowner and will add years of comfort.

### Warranty and Responsibilities

It is the sole responsibility of the homeowner to make certain the furnace has been properly installed and adjusted to operate properly.

The manufacturer warrants the furnace to be free from defects in material or workmanship for a stated time in the warranty agreement. The manufacturer will not be responsible for any repair costs to correct problems due to improper setup, improper installation, improper furnace adjustments, adding parts that are not listed for use with this furnace, improper operating procedures by the user or repairs performed by the user / owner.

Some specific examples of service calls which will be excluded from warranty reimbursement are:

1. Correcting faulty duct work in the home. This can be due to not enough ducts or ducts are too small to provide proper air flow through the furnace.
2. Correcting wiring problems in the electrical circuit to the furnace.
3. Resetting circuit breakers or on/off switches used for servicing.
4. Furnace problems caused by installation and operation of any air conditioning unit, heat pump, or other air quality devise which is not approved for use with this furnace.
5. Adjusting or calibrating the thermostat.
6. Problems caused by construction debris which has fallen into the furnace.
7. Replacement of fuses.
8. Problems caused by dirty air filters.
9. Problems caused by restrictions in the return or supply air flow causing low air flow.

The home owner should establish a firm understanding of these responsibilities with the installer or service company so there no misunderstanding at a later time.

**While you are away**

The furnace is equipped with safety shutoff devices which will shut off the electric heaters in case of a malfunction. For this reason it is never practical to assume the furnace will operate unattended for a long period of time.

If you are planning to be away from home for a long period of time have someone check on your home everyday, especially when the outside temperatures will be below 35°F to ensure the furnace is operating properly. This may prevent water pipes from freezing.

**The Furnace Fails to Operate Properly**

If any abnormalities are observed while the furnace is operating normally, perform the following checks:

1. Check the setting on the thermostat to make sure the thermostat is set above the room temperature.
2. Check to see if the electrical power is turned on at the circuit breakers at the main service circuit breaker box or check any on/off switches that may be used for service disconnect switches.
3. Check the 3 amp fuse on the inside of the control box to determine if it has blown. A replacement fuse can be purchased at where automotive fuses are sold.
4. Make sure the air filters are clean, return grilles are not obstructed, and supply air registers are open.

If the cause of the malfunction is not obvious do not attempt to service the furnace yourself. Call a qualified service agency/company to repair the furnace.

**SECTION IV: STARTUP AND SHUTDOWN INSTRUCTIONS**

Read the instructions below before trying to start the furnace.

**▲ WARNING**

If you do not follow these instructions exactly, a fire may result causing property damage, personal injury, and/or loss of life.

- A. **BEFORE OPERATING**; check around perimeter of the furnace to make sure there are no flammable materials in the area. If you smell vapors of any kind, **DO NOT** turn on the power to the furnace until vapors have been ventilated and removed from the area of the furnace.
- B. **CHECK THE FURNACE**; visually check the furnace for loose screws and/or panels that may be missing or have fallen off.
- C. **CHECK DUCT CONNECTIONS**; visually check the connections of the ducts to the furnace to make sure there are no gaps or holes and ducts are securely fastened to the furnace.

**Turn On / Start the Appliance**

1. **STOP!** Read the safety information above before proceeding.
2. Set the thermostat to the lowest setting.
3. Turn off all electrical power to the appliance at the main service disconnect box.
4. Remove the upper and lower furnace door.
5. Turn off the circuit breakers on the appliance control box.
6. Remove the control box door.
7. Visually check the control box for loose wire connections and faulty or loose components.
8. Visually check the blower compartment for obstructions or loose debris.
9. Replace the control box door.
10. Turn the circuit breakers to the on position.
11. Replace the upper and lower furnace door.
12. Turn the circuit breakers in the main service disconnect box to the on position.
13. Set the thermostat to the desired setting.

**Shutting Down or Turning Off the Appliance**

1. Set the thermostat to the lowest setting.
2. Turn off all electrical power to the appliance at the main service disconnect box.
3. Remove the lower furnace door.
4. Turn off the circuit breakers on the appliance control box.
5. Replace the lower furnace door.

**SECTION V: OWNER MAINTENANCE**

All appliances need maintenance at the beginning of each heating season in order to operate properly. The annual service must be preformed by qualified service personnel. The homeowner is expected to perform general cleaning of the exterior surfaces, clean dust from the louvers in the return air door and replacement of the air filters. Air filters must be checked every month and replaced as needed. Figures 2 and 3 indicate the location of the air filters if you have a louvered return air door.

**▲ WARNING**

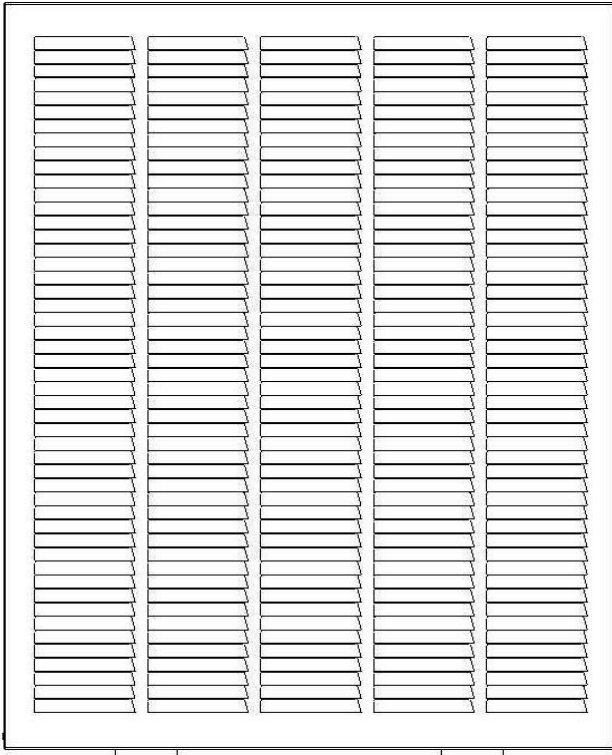
Should overheating occur turn the circuit breakers on the control box and the main electrical service entrance (Circuit Breaker Box) to the off position. Call qualified service personnel to troubleshoot and repair the furnace. **DO NOT** allow the furnace to continue to cycle on the limit controls.

**When to Call For Service Assistance**

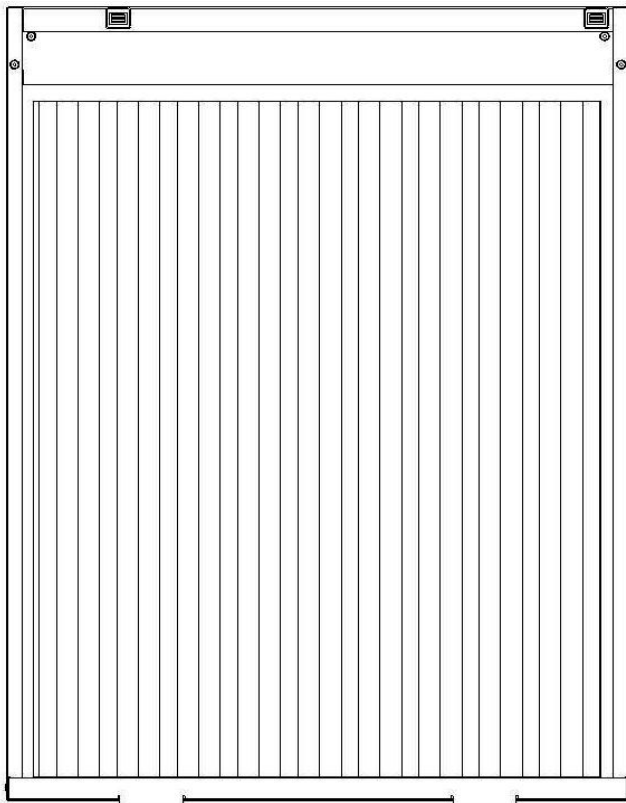
Very often time can be saved if you give a service agency the information about the furnace ahead of time. This will enable the service agency to determine the specific components used and possibly indentify the problem, thus arriving with the parts to fix the problem.

**SERVICE AGENCY INFORMATION**

Fill in Below  
 COMPANY: \_\_\_\_\_  
 ADDRESS: \_\_\_\_\_  
 TELEPHONE (DAYTIME): \_\_\_\_\_  
 TELEPHONE (EMERGENCY) \_\_\_\_\_  
 NOTES: \_\_\_\_\_  
 \_\_\_\_\_  
 \_\_\_\_\_  
 \_\_\_\_\_



**Figure 2: Return Air Louvered Door Air Filter Location**



**Figure 3: Return Air Louvered Door 20" x 20" x 1" Air Filters**

#### **Return Air Grille Air Filters**

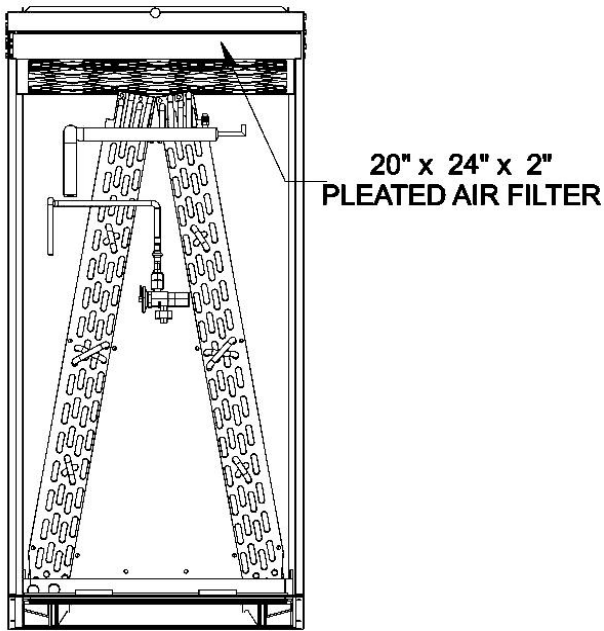
Follow these easy steps to replace the filters located in the return air grille:

1. Follow the procedure **"To Turn Off the Appliance"** in the Startup and Shutdown Instructions section of these instructions.
2. Pull on the top of the return air louvered door (upper door) until the door strike is removed from the door latch.
3. Let the top of the door fall towards you then lift up slightly pulling towards you and set the door on the floor.
4. Turn the door upside down and pull the bottom frame out of the door to gain access to the air filters.
5. Remove the air filters. These filters are disposable filters. **DO NOT** attempt to clean the filters and reuse them.
6. Remove the new pleated air filters from the plastic wrap they come in.
7. Slide the air filters in place in the door so both air filters are installed as shown in Figure 3.
8. Replace the bottom door frame.
9. Lift the door up to the cooling cabinet and align the two tabs on the bottom of the door with the two slots on the center shelf. Refer to Figure 5.
10. Push the upper door forward until the strike on the cabinet top flange has been inserted into the door latch on each side the cabinet. Make sure the door is tight against the cabinet. Refer to Figure 5.
11. Follow the instructions to **"Turn On / Start the Appliance"** in the Startup and Shutdown section of these instructions.
12. Follow the instructions to **"Turn On / Start the Appliance"** in the Startup and Shutdown section of these instructions.

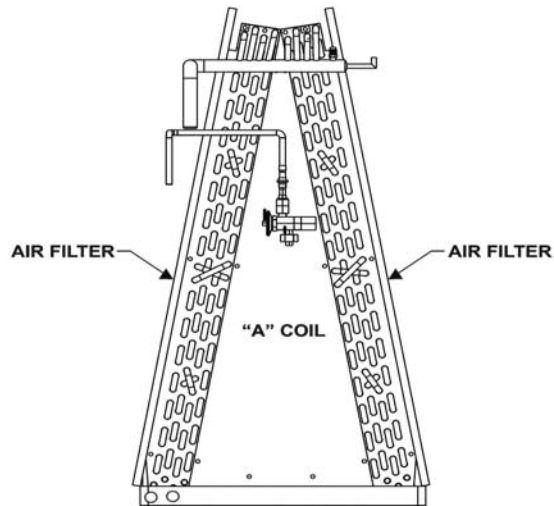
#### **Coil Cabinet Top Air Filters**

Follow these easy steps to replace the filters located in the top of the coil compartment:

1. Follow the procedure **"To Turn Off the Appliance"** in the Startup and Shutdown Instructions section of these instructions.
2. Pull on the top of either the return air louvered door (upper door) or the solid door until the door strike is removed from the door latch.
3. Let the top of the door fall towards you then lift up slightly pulling towards you, then set the door on the floor.
4. Remove the air filter at the top of the coil cabinet. The 20" x 24" x 1" filter is a disposable filter. **DO NOT** attempt to clean the filter and reuse it. Refer to Figure 5 for filter location.
5. Remove the new 20" x 24" x 1" pleated air filter from the plastic wrap they come in.
6. Slide the air filter into the filter rack at the top of the coil cabinet as shown in Figure 5.
7. Lift the door up to the cooling cabinet and align the two tabs on the bottom of the door with the two slots on the furnace top cover. Refer to Figure 5.
8. Push the upper door forward until the strike on the cabinet top flange has been inserted into the door latch on each side the cabinet. Make sure the door is tight against the cabinet. Refer to Figure 5.
9. Follow the **"Turn On / Start the Appliance"** in the Startup and Shutdown Instructions section of these instructions.



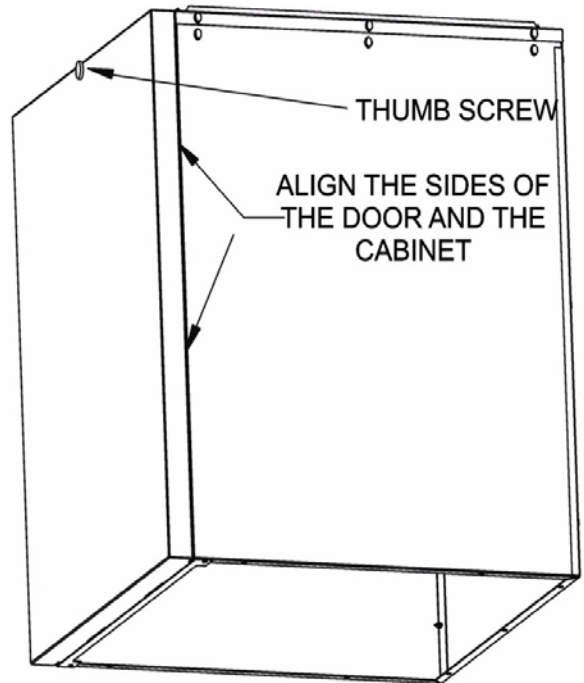
**Figure 4: Coil Cabinet Top Return Pleated Air Filter Location.**



**Figure 5: Reinstalling the Solid Coil Cabinet Door.**

NOTE: Coil Filters are used with the 97-FG Frame and Grille assemblies only.

Position filters over the coil as shown in Figure 6. Homeowners must be instructed as to how to clean and reinstall filters washable or replaceable filters for good preventive maintenance. Care must be taken that the edges of the washable or replaceable filter are resting on the protruding edges of the metal plates at each end of the aluminum fins. This allows a 1/2" gap between the filter and the coil surface to prevent dirt from wicking from the filter to the coil. Make sure the flow arrows on the air filter are pointing towards the coil.



**Figure 6: Replacing The Coil Cabinet Door.**

# SERVICE AND MAINTENANCE MANUAL

## SECTION I: SAFETY

### *THE HOME OWNERS AND / OR APPLIANCE USERS MUST STOP HERE!*

This section has been designed to assist a **qualified service agency** in performing service and maintenance on this appliance.

**The homeowners and/or the appliance user must never attempt** to perform any service or maintenance on the appliance especially when it involves the removal or adjustment of any parts and/or components.

### **▲ WARNING**

The manufacturer or distributor will not be responsible for any repairs due to improper parts changes, improper maintenance, improper furnace adjustments or improper modifications made by the homeowner and/or the appliance user.

The manufacturer will not be responsible if the homeowner and/or appliance user use this section of the instructions in an attempt to perform maintenance or repairs to the furnace. This practice is very dangerous and may result in a fire causing property damage, personal injury, loss of life and/or will void the appliance warranty.

**The following safety rules must be followed when servicing this furnace.**



This is a safety alert symbol. When you see this symbol on labels or in manuals; be alert to the potential for personal injury.

Understand and pay particular attention to the signal words **DANGER, WARNING, or CAUTION.**

**DANGER:** indicates an **imminently** hazardous situation, which if not avoided, **will result in death or serious injury.**

**WARNING:** indicates a **potentially** hazardous situation, which if not avoided, **could result in death or serious injury.**

**CAUTION:** indicated a **potentially** hazardous situation, which if not avoided, **may result in minor or moderate injury.** It is also used to alert against unsafe practices and hazards involving property damage.

### **▲ WARNING**

Improper adjustment, service or maintenance may create a condition where the operation of the product could cause personal injury or property damage.

Refer to this manual for assistance or for additional information consult the Technical Support Group.

### **▲ CAUTION**

This product must be serviced and maintained as specified in these instructions and/or to any applicable local, state, and national codes including, but not limited to building, electrical, and mechanical codes.

### **▲ WARNING**

#### **FIRE OR ELECTRICAL HAZARD**

Failure to follow the safety warnings exactly could result in serious injury, death, or property damage. A fire or electrical hazard may result causing property damage, personal injury or loss of life.

#### **SAFETY REQUIREMENTS**

1. This electric furnace may have a dual electrical supply circuit. Make sure you check each electrical circuit with a meter to be sure the power has been disconnected.
2. Insulating materials may be combustible. The furnace must be kept free and clear of insulating materials.
3. Follow the instructions exactly as shown in Startup and Shutdown Section in this manual to properly Startup or Shutdown this appliance.
4. Make sure all moving parts have come to a complete stop before attempting to perform any work once the furnace door has been removed. Moving parts can cause serious injury if clothing or body parts get caught in the moving part.

### **▲ WARNING**

#### **ELECTRICAL SHOCK, FIRE HAZARD**

**Failure to follow the safety warnings exactly or improper servicing could result in dangerous operation, serious injury, property damage, and/or death.**

- Before servicing, disconnect all electrical power to the furnace. Make sure you disconnect both power supplies if the furnace has a dual power supply circuit. Dual circuits may be used on the 8 kW, 10 kW, 12 kW, 15kW and 20kW furnaces.
- When servicing controls, label all wires prior to disconnecting to aid in proper reconnection of wires.
- Verify proper operation after servicing by turning the thermostat above the room temperature for a brief period of time to ensure future furnace operation

## WARNING

### FIRE HAZARD

#### NEVER PLACE A JUMPER BETWEEN "R" & "W"

Placing jumper wire between the RED and WHITE thermostat wires at the furnace in order to override the thermostat and energize the heater elements is an extremely dangerous practice that can result in damage to the thermostat, dangerous operation, serious injury, property damage and/or death.

## SECTION II: FURNACE MAINTENANCE

The interior sections of the furnace must be cleaned and adjusted by a qualified service contractor once a year or before the start of each heating season. The following items must be checked:

1. The blower wheel and motor for excessive dirt.
2. The electric heaters for wear, damage or corrosion.
3. The electrical components for excessive dust, dirt, wear, or deterioration.
4. The supply air duct system for excessive dust, dirt or debris
5. The return air duct system for excessive dust, dirt or debris
6. All electrical wiring for wear, insulation cracks and/or damage.
7. Check the air conditioning evaporator coil for dust, debris or damage.
8. Check the evaporator coil drain pan for proper drainage to prevent water backup into the furnace.
9. The furnace casing and all interior sheet metal panels or dividers.

### Furnace Cleaning Procedure

1. Follow the instructions exactly as shown in Startup and Shutdown Section in this manual to properly shutdown this appliance.
2. Remove the lower access door on the front of the furnace.
3. Remove the upper access door on the front of the evaporator coil compartment.
4. Remove the screw on the right side of the control box cover and remove the control box cover. Refer to Figure 8.
5. Remove the two screws on the right side of the blower mounting plate and slide the blower out of the furnace. Refer to Figure 9.
6. Use a vacuum cleaner and a small brush to remove any dirt and debris from the blower compartment.
7. Check in the area below the blower compartment where the heater elements are located and remove any dust, dirt or debris from around the heater elements. Be careful not to damage the heater elements with the vacuum hose or the brush.

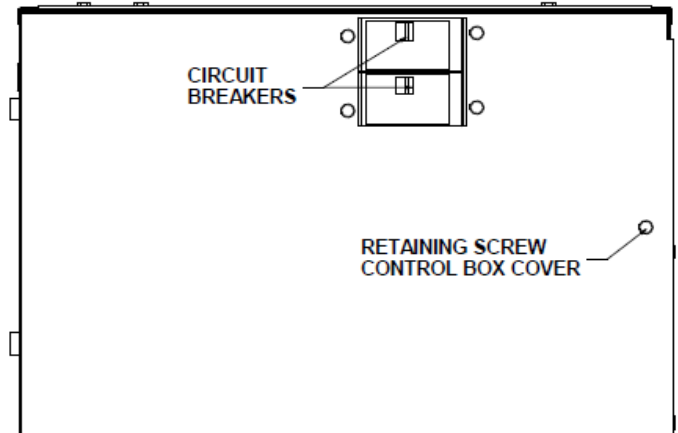


Figure 7: Control Box Cover

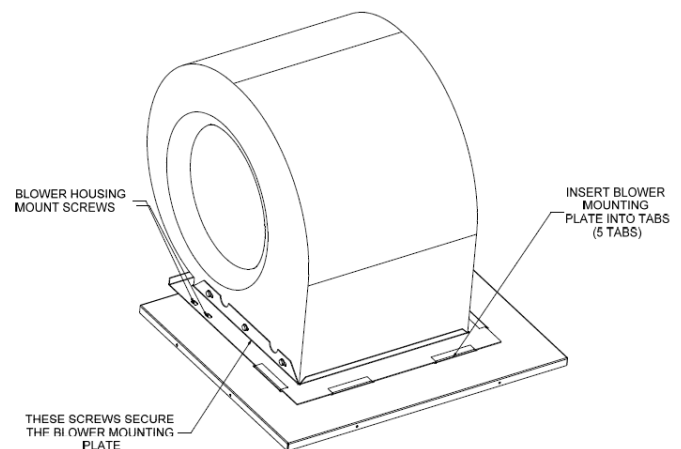


Figure 8: Blower Assembly and Mounting Screw Location

8. Check the blower wheel for dust and debris. Use the brush and the vacuum cleaner to remove any dust or debris from the wheel. Be careful not to move or accidentally remove the blower wheel balance weight located on the wheel blades. If it is moved or removed it will cause the blower wheel to vibrate. If the wheel is vibrating, you must replace it.
9. Check the blower motor for dust and debris. Be sure to clean the openings on the motor housing as these openings are used to cool the motor. If the dust, dirt or debris has not been removed from these openings it will cause the motor to run hotter than normal and will shorten the life of the motor.
10. Check and clean with the brush and vacuum cleaner any dust in the supply and return ducts as far as you can reach. If these ducts look like they have an excessive amount of dust, dirt or debris you should recommend to the home owner or user to call a professional to properly clean the duct system.
11. Check and clean any dust, dirt, or debris from all of the controls and all of the surfaces in the control box. If dust or dirt is left on the components they will operate at a much hotter temperature causing premature component failure.
12. Check the evaporator coil compartment for dirt, dust or debris and remove any that exists.



13. Check the evaporator condensate drain pan for any debris and ensure the pan is properly draining by pouring water into the drain to check it.
14. Remove any excess water that may have spilled from checking the evaporator condensate drain.
15. Reinstall the blower assembly and secure the assembly using the screws that was removed in step 5.
16. Reinstall the control box cover and secure it to the control box with the screw that was removed in step 4.
17. Reinstall the lower access door on the furnace.
18. Reinstall the upper access door on the front of the evaporator coil compartment.
19. Follow the instructions exactly as shown in Startup and Shutdown Section in this manual to properly startup this appliance.

### SECTION III: FURNACE CONTROLS

This section discusses the furnace controls and how they operate. Refer to Figure 10 for component locations.

1. **The Limit Controls** – Each electric heater element has a limit control directly in front of it to sense overheating of the element and open if the temperature gets above the set point of the limit control.
2. **The Heater Relays** – The electric heater relays simply turn the heater elements on and off. The relays are controlled by the thermostat. On a call for heat 24 VAC is sent to the relay(s) 24 VAC coil energizing the relay. When the call for heat has been satisfied the 24 VAC is removed from the relays 24 VAC coil de-energizing the relay(s).
3. **Cooling Time Delay Relay (TDR)** – The cooling relay is used only when 24 VAC is on the “G” terminal from the thermostat. The relay controls the blower on time delay and is adjustable from 0 – 30 seconds. The factory setting is approximately 13 seconds.
4. **Circuit breakers** – The circuit breakers are designed as over-current protection for the electric heaters only. The circuit breakers **MUST NEVER** be used for over-current protection for the transformer, 24 VAC circuit, or the blower motor.
5. **3 Amp Fuse** – This fuse is used for over-current protection of the 24 VAC circuit.
6. **Transformer** – The transformer is used to step down voltage from 240 VAC to 24 VAC. The transformer provides the required 24 VAC for the system control circuit.
7. **Blower Motor Isolation Relay** - This relay is used to load the TDR when using an X-13 motor or for isolation between the high and low speeds of a PSC motor. The wiring has been designed so that the normally closed contacts are used for heating and the normally open contacts are used for cooling. The relay coil is energized after the thermostat has a call from the “G” terminal starting the time delay cycle on the time delay relay. Once the time delay relay has reached the delay setting the relay contacts close energizing the isolation relay coil. The normally closed contacts on the isolation relay open and

the normally open contacts close, energizing the motor on the selected cooling speed.

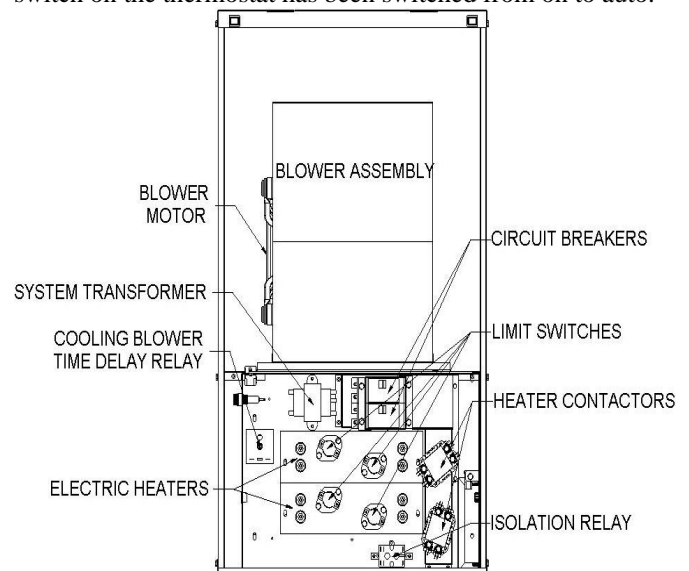
**X-13 Motor Isolation Relay** - This relay is used on the X-13 motor as a load for the time delay relay so the relay will operate properly. The wiring has been designed so that the normally closed contacts are used for heating and the normally open contacts are used for cooling. The relay coil is energized after the thermostat has a call from the “G” terminal starting the time delay cycle on the time delay relay. Once the time delay relay has reached the delay setting the relay contacts close energizing the isolation relay coil. The normally closed contacts on the isolation relay open and the normally open contacts close, energizing the motor on the selected cooling speed.

### SECTION IV: SEQUENCE OF OPERATION

#### Continuous Blower

The thermostat has a manual fan switch that can be moved to the “On” position or it can be programmed for **continuous** fan operation. This setting causes the thermostat to complete the circuit between “R” and “G” terminals causing the time delay relay to start the time delay cycle. Once the time delay relay has completed the on-delay cycle the contacts will close sending voltage to the isolation relay coil. The isolation relay will close the normally open contacts (Terminals #2 and #4) sending voltage to selected indoor blower motor speed tap connected to terminal #4. The normally closed contacts (Terminals #5 and #6) will open.

The indoor blower will operate continuously until the fan switch on the thermostat has been switched from on to auto.



**Figure 9: Component Locations**

#### Intermittent Blower - Cooling

The thermostat has a manual fan switch that can be moved to the “Auto” position or it can be programmed for **auto** fan operation. When the thermostat calls for cooling, a circuit is completed between the “R”, “Y” and “G” Terminals. The indoor fan motor is energized from the “G” terminal on the thermostat causing the time delay relay to start the on-time

delay. The time delay relay contacts will close the circuit to the isolation relay coil after the on- delay is complete. The isolation relay normally open contacts (Terminals #2 and #4) will close and the motor will operate on the selected speed tap that has been placed on terminal #4.

When the thermostat is satisfied the circuit between “R”, “Y” and “G” will open. The time delay relay will open the circuit to the isolation relay and the PSC blower motor will turn off. The X-13 blower motor will have a 13 second off-delay. The blower is now in the standby mode waiting for the next cooling cycle

**The Heating Cycle**

When the thermostat is in the HEAT mode and the fan switch on the thermostat is set to AUTO. The call for heat closes the thermostat circuit between the “R” and “W” terminals. 24 VAC is sent from the “W” terminal, through the white thermostat wire to the white pigtail wire on the furnace. 24 VAC is sent through the white pigtail wire to the 24 VAC coil on the first heater relay. This signal energizes the heater relays closing the contacts to the heaters. The blower low speed wire is also connected to the first heater relay so the blower is energized at the same time as the heater. The blower will continue to operate until the thermostat is satisfied. When the call for heat has been removed the “W” terminal is de-energized and the heater relay opens turning off the heater and the PSC blower motor. The X-13 blower motor will have a 13 second off-delay. The furnace is now in standby mode waiting for the next heating cycle.

Some models have a black pigtail wire that is connected to the 24 VAC coil on the second heater relay. This pigtail wire is to be used for second stage heat. It is connected to the thermostat “W2” terminal. You must have a thermostat that has the second stage heating feature “W2”. The second stage heat cycle is enabled when the room temperature typically falls more than 3 degrees below the thermostat set point. The thermostat energizes the second heater to aid in heating the room back to the thermostat set point. Once the room is within 1 degree of the thermostat set point the second stage heater is de-energized until the thermostat calls for second stage heat “W2” again.

**The Cooling Cycle**

**When the thermostat calls for cooling**

The thermostat closes the circuit between the “R”, “Y” and “G” terminals. 24 VAC is sent from the “Y” terminal through the yellow thermostat wire to the 24 VAC coil terminal on the condenser contactor; energizing the contactor and starting the compressor and outdoor fan motor. At the same time the “G” terminal is sending 24 VAC through the green pigtail wire to the indoor blower time delay relay. The time delay relay goes through an 0-30 second on-delay, and then closes the contacts sending 24 VAC to the isolation relay coil ( Terminals #1 and #3). The isolation relay coil is energized closing the normally open contacts (Terminals #2 and #4) and opening the normally closed contacts (Terminals #5 and #6) sending 24 VAC to the selected X-13 motor speed tap wire connected to isolation

relay terminal #4 or for PSC motors; sending 240 VAC to the selected speed tap wire connected to isolation relay terminal #4.

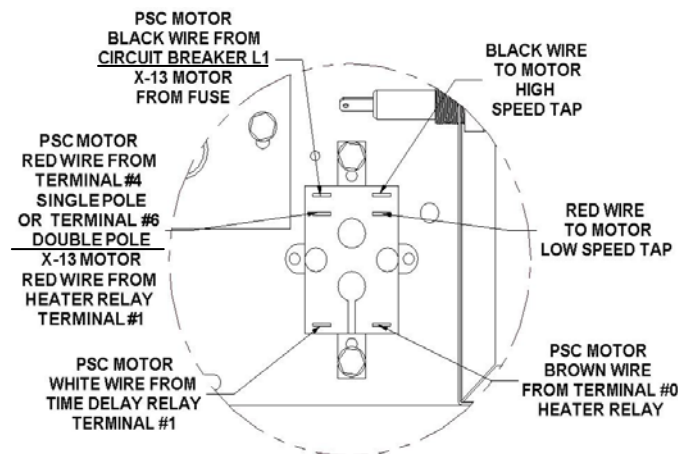
When the thermostat call for cooling has been satisfied the thermostat opens the circuit between the “R”, “Y” and “G” terminals. The 24 VAC signal is removed from the thermostat “Y” terminal de-energizing condenser contactor. At the same time the “G” terminal 24 VAC is removed from the green pigtail wire de-energizing the TDR. The X-13 motor goes through a 13 second off delay; then stops. The PSC motor does not have a delay; so it stops. The cooling cycle is complete, and the cooling unit is ready for the start of the next cooling cycle.

**The Motor Isolation Relay**

This relay is used in conjunction with the motors to prevent the possibility of the motors being energized on two speed taps at the same time. This condition would burn out the motor windings.

A black wire is connected from the circuit breaker to the supply side of the normally open terminals on the relay. The blower motor high speed tap wire is connected to the load side (Terminal #4) normally open terminal on relay.

A red wire is connected from the heat relay to the normally closed terminal on the relay. The load side (Terminal #6) of the normally closed terminal is connected to the low speed tap blower motor.



**Figure 10: Motor Speed Tap Isolation Relay**

⚠ WARNING

For personal safety be sure to turn the electrical power “OFF” at the main entrance (Circuit Breaker Box) and at the control box circuit breakers before attempting any service or maintenance operations. Home owners should never attempt to perform any maintenance which requires opening the furnace control box door.

## SECTION V: TROUBLE SHOOTING

The following checks should be made before trouble shooting the furnace controls for a no heat issue.

1. Check all of the circuit breakers. Make sure they are turned to the “ON” position and have not tripped.
2. Check all fuses, especially the 3 amp fuse on the top right side of the control box. If the fuse is blown, check the wiring with an OHM meter for a short to ground. If shorted, repair the short, and then replace the fuse.
3. Check any electrical switches that are external to the furnace to make sure they are turned on.
4. Check all wiring connections, especially on any of the components, to ensure they are securely fastened.

If you have 240 VAC coming out of the control box circuit breakers and you have 24 VAC between the load side if the 3 amp fuse and ground, then continue on through the rest of the checks.

### X-13 Motor Check – Heating Mode

1. If the motor is not running, check for 240 VAC and 24 VAC at the motor terminals. If the 240 VAC and 24 VAC is present at the motor terminals but the motor is not operating, then replace the motor. Refer to Figure 12 and Table 1 for terminal locations and definitions.
  - A. If 240 VAC is not present at the motor check for a broken wire between the circuit breaker and the motor.
  - B. If 240 VAC is present at the motor terminals continue to the next check.
2. If 24 VAC is not present at the motor check for 24 VAC across the heater relay coil.
  - A. If 24 VAC is present at the heater relay coil, the wire going to the motor is bad and needs to be replaced.
  - B. If 24 VAC is not present at the heater relay coil check the thermostat “W” circuit wire connections and the thermostat.

### X-13 Motor Check – Cooling Mode

1. If the motor is not running, check for 240 VAC and 24 VAC at the motor terminals.
  - A. If the 240 VAC and 24 VAC is present at the motor terminals but the motor is not operating, then replace the motor. Refer to Figure 12 and Table 1 for terminal locations and definitions.
  - B. If 240 VAC is not present at the motor check for a broken wire between the circuit breaker number one and the motor.
  - C. If 240 VAC is present at the motor terminals continue to the next check.
2. If 24 VAC is not present at the motor speed tap terminals; check for 24 VAC at terminal #1 on the TDR
  - A. If 24 VAC is present at terminal #1, the wire going to the motor is bad and needs to be replaced.
  - B. If 24 VAC is not present at terminal #1 check terminal #3.
  - C. If 24 VAC is present at the terminal #3 replace the TDR.

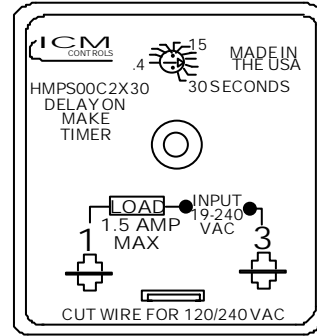


Figure 11: Time Delay Relay (TDR) Terminals

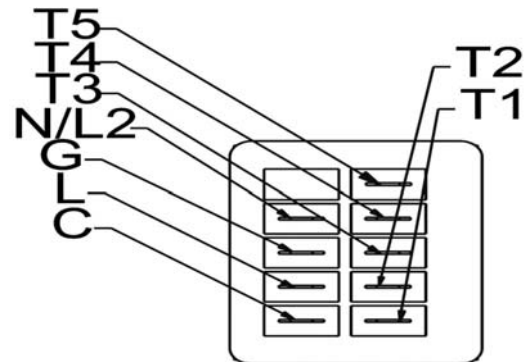


Figure 12: X-13 Motor Terminals

<b>WARNING</b>	
To avoid personal injury or property damage, make certain that the motor leads cannot come into contact with non-insulated metal components of the unit.	
Terminal	Connection
C	Speed Tap Common - 24 VAC Common
L	Supply Voltage to Motor - 240 VAC Line 1
G	Ground Connection
N	Supply Voltage to Motor - 240 VAC Line 2
1	Low Speed Tap - 24 VAC
2	Med-Low Speed Tap - 24 VAC
3	Medium Speed Tap - 24 VAC
4	Med-High Speed Tap - 24 VAC
5	High Speed Tap - 24 VAC

Table 1: X-13 Motor Terminal Connections

### Heater Element Is Not On

Check for 240 VAC between each of the heater elements. If 240 VAC is present, check the current draw on each heater. If there is 200 – 250 VAC across the heaters but a heater is not drawing the proper current or is showing almost no current draw check the limit for that heater. If the limit is good but there still is no current flow then, check to see if the heater is defective.

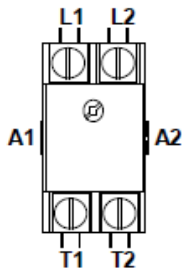
The heater amps are as follows:

- 4 kW Heater = 16.7 amps
- 5 kW Heater = 20.8 amps
- 6 kW Heater = 25.0 amps

The heater design is as follows:

The 5 kW model has one 5 kW heater element.  
 The 8 kW model has one heater with two 4 kW elements.  
 The 10 kW model has one heater with two 5 kW elements.  
 The 12 kW model has one heater two 6 kW elements.  
 The 15 kW model has one heater with two 5 kW elements (top heater) and one heater with one 5 kW element (bottom heater).  
 The 17 kW model has one heater with two 6 kW elements (top heater) and one heater with one 5 kW element (bottom heater).  
 The 20 kW model has one heater with two 5 kW elements (top heater) and one heater with two 5 kW elements (bottom heater).  
 If 240 VAC is not present at the heater element but there is 240 VAC present between the load terminal of the heater relay and L2 then check the limit control for an open limit and replace the open limit control.  
 If 240 VAC is not present at the heater element or between the load terminal of the heater relay and L2 but is present between the line terminal of the heater relay and L2; then, replace the heater relay.

DP - Double Pole Contactor



**Figure 13: Heater Contactor Terminal Designations**

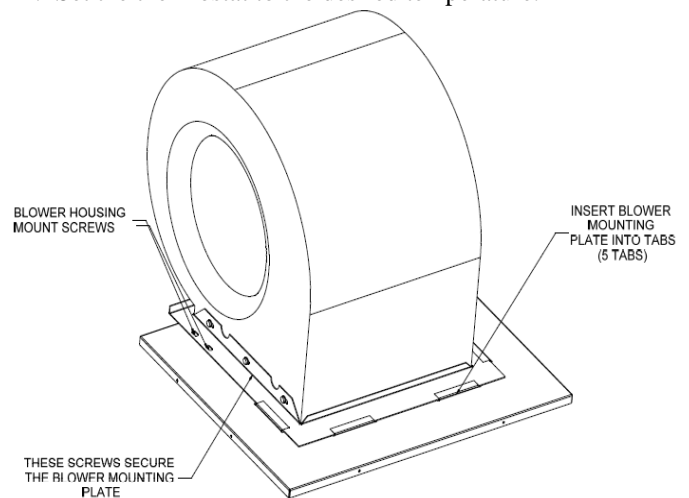
**Blower Motor FLA**

- 1/3 HP X-13 Motor – 2.0
- 1/2 HP X-13 Motor – 4.1
- 3/4 HP X-13 Motor – 6.0

**Replacing the Blower**

1. Follow the instructions exactly as shown in Startup and Shutdown Section in this manual to properly shutdown this appliance.
2. Remove furnace lower front door and switch furnace circuit breaker(s) to “OFF”.
3. Disconnect the plastic wire plug that has the wires that goes to the motor terminals from the top right side of the control box.
4. Remove the two screws on the right side of the blower mounting plate.
5. Slide the blower out of the blower compartment and set on the floor.

6. Remove the wires from the terminals. Be sure to write down the motor terminal identifier and wire color so the wires do not get mistakenly placed on the wrong terminals.
7. Remove the blower housing from the mounting bracket by removing the screws on the sides of the blower that secure the blower to the bracket.
8. Insert the new blower housing into the blower mounting bracket and secure to the bracket with the screws.
9. Connect the wires to the motor terminals so the wires are connected to the same terminals on the new motor as they were on the previous motor.
10. Slide the blower assembly into the blower deck and insert the two screws on the right side of the mounting bracket.
11. Connect the pin plug to the pin plug on the top right side of the control box.
12. Switch the circuit breakers to ON and replace furnace front door.
13. Follow the instructions exactly as shown in Startup and Shutdown Section in this manual to properly startup this appliance.
14. Set the thermostat to the desired temperature.



**Figure 14: Blower Mounting Plate Screw Locations**

**⚠ WARNING**

To avoid personal injury take precautions not come into contact with non-insulated electrical components.

Avoid wearing loose clothing or any items that can come in contact with moving parts, such as the blower wheel. This can cause serious personal injury

Factory Speed Tap Settings @ .3 ESP with Filter and Coil						
Series Model	Sp Tap	Nom-Tons	CFM	Coil Range (See Coil Face Velocity Chart Below)	Max kW	Blower Setting
WEFCxx48	Low	2.0-2.5	950	96-Series, 97-Series, 98-Series	12	Factory Setting High
	Med	2.5-3.0	1100		15	
	High	3.0-3.5	1400		20	
WEFXxx42	T-1	1.5	580	96-Series, 97-Series, 98-Series	5	Factory Setting T-5
	T-2	2.0	750		8	
	T-3	2.5	925		8	
	T-4	3.0	1120		10	
	T-5	3.5	1300		12	
WEFXxx48	T-1	2.0	800	96-Series (Do Not use T-5 w/96-), 97-Series, 98-Series	12	Factory Setting T-3
	T-2	2.5	950		15	
	T-3	3.0	1120		15	
	T-4	3.5	1260		17	
	T-5	4.0	1380		20	
WEFXxx60	T-1	3.0	1080	98-Series only	17	Factory Setting T-3
	T-2	3.5	1300		20	
	T-3	4.0	1440		20	
	T-4	4.0	1520		20	
	T-5	5.0	1680		20	

Coil Series	CFM	Face Area	Nominal FPM	Coil Models (See Note Below)	Max FPM	Note
96-Series	750	3.11	242	96-8(Z,5,G,8,W)2(+)(++)P	300	<b>WARNING</b> Exceeding these nominal and / or maximum allowances may cause water blow off from the coil, which; may damage furnace, void furnace warranty and limit liability from those damages
	925	3.32	279	96-(R,M)/2,3,4(+)(++)P	300	
	1120	3.56	315	96-8(Z,2,3,4,5,G,8,W)3,5(+)(++)P	320	
	1300	4.06	321	96-(8,R,M)/Z,2,3,4,5,G,8,W)4,6(+)(++)P	325	
97-Series	1380	4.44	311	97-(8,R,M)/Z,2,3,4,5,G,8,W)7,10(+)(++)P	325	
	1440	5.33	270	98-(8,R,M)/Z,2,3,4,5,G,8,W)7,10(+)(++)P	330	
98-Series	1520	5.78	263	98-(8,R,M)/Z,2,3,4,5,G,8,W)8,11(+)(++)P	330	
	1520	6.22	245	98-(8,R,M)/Z,2,3,4,5,G,8,W)9,12(+)(++)P	330	
	1680	6.67	252	98-(8,R,M)/Z,2,3,4,5,G,8,W)10,13(+)(++)P	330	
	1680	7.11	237	98-(8,R,M)/Z,2,3,4,5,G,8,W)11,14(+)(++)P	330	
	1680	7.56	223	98-(8,R,M)/Z,2,3,4,5,G,8,W)12,15(+)(++)P	330	
	1680	8.00	210	98-(8,R,M)/Z,2,3,4,5,G,8,W)13,17(+)(++)P (See Example)	330	

Air Velocity Formula: CFM / Coil Face Area = Air FPM.		Example of Coil Complete Model # 98-8G13Y-0P.	
CFM	1680	Coil Face Area	5.0
CFM	1680	Coil Face Area	5.0

Note: When setting up the speed tap on the WEFX furnaces with the X-13 motor the coil face area must be taken into account so as not to exceed 330 Feet Per Minute of air across the coil. Anything higher will blow water off the coil and will be the responsibility of the installing contractor.

Table 2: Factory Speed Tap Settings

SECTION VI: BLOWER PERFORMANCE

		EXTERNAL STATIC PRESSURE (ESP) INCHES WC DUCT									
SPD TAP		0.1	0.2	0.3	0.4	0.5	0.6	0.7	0.8	0.9	1
CFM-NO-COIL	LO	1042	1036	1030	1024	1018	1006	911	708	542	386
	MEDIUM	1210	1205	1199	1194	1189	1137	1036	769	601	427
	HI	1550	1498	1427	1357	1273	1169	1048	924	704	526
CFM with Coil 98-8Z7W-OP with Cabinet 97-FLSB-27 or 97-FLSF-27	LO	982	976	970	964	951	898	721	609	511	357
	MEDIUM	1196	1190	1180	1149	1100	1037	951	680	569	405
	HI	1509	1440	1371	1285	1203	1133	880	792	684	482
CFM with Coil 98-8Z7W-OP with Cabinet 97-FSOB-27	LO	1011	1008	994	965	916	758	669	588	447	
	MEDIUM	1215	1189	1153	1104	1040	973	739	639	511	377
	HI	1455	1394	1326	1260	1184	1081	852	703	585	441
CFM-WITH-Coil 98-8G7W-OP with Cabinet 97-FLSB-27 or 97-FLSF-27	LO	955	952	949	946	928	890	724	648	532	364
	MEDIUM	1175	1170	1164	1143	1100	1025	964	716	558	405
	HI	1536	1463	1403	1328	1249	1155	1075	900	716	493
CFM with Coil 98-8G7W-OP with Cabinet 97-FSOB-27	LO	1010	1013	1001	975	930	874	688	587	463	363
	MEDIUM	1205	1184	1153	1110	1048	975	751	640	496	367
	HI	1553	1482	1407	1328	1244	1154	1039	747	608	438
CFM with Coil 96-8G4W-OP with Cabinet 97-FLSB-21 or 97-FLSF-21	LO	964	961	958	952	928	881	708	609	470	355
	MEDIUM	1195	1185	1154	1122	1072	1013	820	680	556	405
	HI	1535	1479	1407	1331	1250	1180	1094	812	658	487
CFM with Coil 96-8G4W-OP with Cabinet 97-FSOB-21	LO	1005	999	979	943	881	758	641	561		
	MEDIUM	1197	1163	1113	1060	999	916	708	633	490	367
	HI	1418	1352	1292	1213	1119	1062	946	698	549	409

**Table 3: Blower Performance -10 X 9 Morrison Wheel - 1/3 HP 3 SPD PSC Motor (With Air Filters)**

		EXTERNAL STATIC PRESSURE (ESP) INCHES WC DUCT									
SPD TAP		0.1	0.2	0.3	0.4	0.5	0.6	0.7	0.8	0.9	1
CFM-NO-COIL - OPEN TOP, SOLID DOOR	LO	935	763	680	560	498	437	347			
	MED-LO	968	881	810	756	680	566	531	446	382	
	MEDIUM	1074	1022	953	904	842	789	663	623	565	475
	MED-HI	1192	1131	1079	1042	971	914	862	748	697	519
	HI	1429	1372	1327	1285	1227	1176	1128	1072	941	602
CFM-NO-COIL - SOLID TOP, LOUVERED DOOR	LO	813	742	655	596	490	436	349			
	MED-LO	913	864	806	742	673	593	521	438	379	
	MEDIUM	1050	990	939	885	843	813	726	642	568	471
	MED-HI	1150	1096	1082	1002	958	913	857	806	737	533
	HI	1360	1314	1267	1227	1182	1134	1096	1002	885	564
CFM with Coil 98-8Z7W-OP with Cabinet 97-FLSB-27 or 97-FLSF-27	LO	745	689	595	513	453	393	323			
	MED-LO	859	800	745	641	581	527	458	401	384	
	MEDIUM	978	926	872	832	721	655	600	563	514	420
	MED-HI	1066	1023	965	923	875	793	709	655	596	439
	HI	1276	1237	1197	1150	1117	1061	977	798	668	500
CFM with Coil 98-8Z7W-OP with Cabinet 97-FSOB-27	LO	721	655	556	490	462	382	321			
	MED-LO	832	775	717	623	556	528	470	404	352	
	MEDIUM	939	898	845	793	701	633	623	559	502	413
	MED-HI	1037	994	956	901	832	752	697	655	554	453
	HI	1231	1178	1146	1101	1058	1003	832	741	615	466
CFM-WITH-Coil 98-8G7W-OP with 97-FLSB-27 or 97-FLSF-27	LO	764	689	586	507	460	399	332			
	MED-LO	855	807	733	632	571	521	478	416	367	
	MEDIUM	990	923	878	825	741	672	628	574	520	440
	MED-HI	1085	1031	988	929	878	789	725	663	603	474
	HI	1291	1247	1202	1160	1117	1073	1020	821	665	524
CFM with Coil 98-8G7W-OP with Cabinet 97-FSOB-27	LO	721	655	566	507	451	374	315			
	MED-LO	828	756	705	623	561	529	462	404	359	
	MEDIUM	948	898	845	778	705	641	595	553	502	406
	MED-HI	1048	1003	965	907	851	771	701	637	562	431
	HI	1252	1227	1166	1139	1090	1026	871	709	618	466
CFM with Coil 96-8G4W-OP with Cabinet 97-FLSB-21 or 97-FLSF-21	LO	731	634	577	473	368	394	290			
	MED-LO	827	754	703	629	530	520	457	383	312	
	MEDIUM	937	870	812	769	698	620	590	540	474	403
	MED-HI	1030	967	919	877	816	784	673	615	591	472
	HI	1230	1194	1136	1086	1046	998	947	784	634	500
CFM with Coil 96-8G4W-OP with Cabinet 97-FSOB-21	LO	731	678	587	503	458	398	333			
	MED-LO	848	792	739	630	562	527	483	419	387	
	MEDIUM	956	913	868	820	719	657	597	572	524	447
	MED-HI	1051	1012	962	923	875	766	711	661	603	458
	HI	1251	1216	1169	1132	1093	1053	986	770	643	510

**Table 4: Blower Performance -10 X 9 Morrison Wheel - 1/3 HP 5 SPD X-13 Motor (With Air Filters)**

		EXTERNAL STATIC PRESSURE (ESP) INCHES WC DUCT									
SPD TAP		0.1	0.2	0.3	0.4	0.5	0.6	0.7	0.8	0.9	1
CFM-NO-COIL	LO	984	922	851	799	740	604	578	497	423	365
	MED-LO	1149	1096	1051	995	933	870	795	891	658	604
	MEDIUM	1397	1344	1293	1250	1200	1148	1105	1048	982	699
	MED-HI	1630	1584	1533	1493	1443	1392	1352	1258	1136	702
	HI	1736	1712	1661	1612	1570	1515	1432	1321	1184	704
CFM with Coil 98-8G7W-OP with Cabinet 97-FLSB-27 OR 97-FLSF-27	LO	875	818	764	718	611	558	507	455	419	372
	MED-LO	1027	996	952	897	858	752	688	634	615	497
	MEDIUM	1241	1212	1176	1129	1090	1051	997	867	713	545
	MED-HI	1440	1411	1371	1328	1285	1232	1155	1062	734	593
	HI	1546	1506	1474	1415	1349	1270	1186	1079	702	603
CFM with Coil 98-8G7W-OP with Cabinet 97-FSOB-27	LO	845	811	753	682	611	563	522	467	407	364
	MED-LO	1032	990	949	897	838	800	730	677	607	477
	MEDIUM	1238	1191	1155	1107	1068	1033	991	809	660	492
	MED-HI	1419	1380	1340	1294	1217	1145	1068	839	665	486
	HI	1506	1445	1389	1313	1241	1166	1079	824	646	483
CFM with Coil 98-8W7W-OP with Cabinet 97-FLSB-27 or 97-FLSF-27	LO	884	817	771	722	616	568	536	472	417	380
	MED-LO	1040	984	955	893	864	756	698	656	630	494
	MEDIUM	1251	1216	1170	1134	1079	1045	1009	860	685	570
	MED-HI	1450	1410	1380	1335	1303	1221	1139	1056	737	580
	HI	1549	1506	1457	1410	1335	1246	1165	1056	741	648
CFM with Coil 98-8W7W-OP with Cabinet 97-FSOB-27	LO	878	811	771	714	625	558	536	478	417	377
	MED-LO	1035	981	943	891	852	797	702	652	609	474
	MEDIUM	1223	1190	1151	1111	1072	1018	940	842	647	523
	MED-HI	1422	1378	1325	1262	1159	1062	983	868	665	523
	HI	1478	1416	1338	1277	1174	1095	992	845	657	513
CFM with Coil 98-8W12W-OP with Cabinet 97-FLSB-39 or 97-FLSF-39	LO	897	842	796	733	619	566	522	470	408	361
	MED-LO	1054	1013	961	925	874	798	680	623	572	533
	MEDIUM	1281	1237	1202	1154	1111	1071	1012	902	723	613
	MED-HI	1478	1453	1414	1374	1333	1271	1191	1094	752	596
	HI	1581	1522	1477	1421	1350	1270	1180	1070	777	657
CFM with Coil 98-8W12W-OP with Cabinet 97-FSOB-39	LO	885	825	763	704	612	553	522	459	392	357
	MED-LO	1043	986	941	891	858	735	687	630	573	504
	MEDIUM	1240	1178	1139	1100	1076	1013	945	800	679	520
	MED-HI	1456	1404	1359	1322	1256	1190	1087	845	712	535
	HI	1550	1485	1426	1355	1294	1221	1104	874	735	534

**Table 5-1: Blower Performance -10 X 9 Morrison Wheel - 1/2 HP 5 SPD X-13 Motor (With Air Filters)**



		EXTERNAL STATIC PRESSURE (ESP) INCHES WC DUCT									
SPD TAP		0.1	0.2	0.3	0.4	0.5	0.6	0.7	0.8	0.9	1
CFM with Coil	LO	884	824	774	692	595	560	507	460	391	360
98-8G12W-OP	MED-LO	1035	992	954	893	844	783	692	640	545	474
with Cabinet	MEDIUM	1250	1211	1170	1127	1083	1037	982	834	675	520
97-FLSB-39	MED-HI	1449	1415	1376	1345	1289	1218	1127	884	708	535
or 97-FLSF-39	HI	1547	1511	1462	1402	1326	1245	1159	976	724	531
CFM with Coil	LO	862	817	752	672	619	560	525	458	395	381
98-8G12W-OP	MED-LO	1013	967	925	887	824	744	692	636	563	435
with Cabinet	MEDIUM	1209	1173	1125	1098	1050	1000	865	748	578	484
97-FSOB-39	MED-HI	1415	1376	1321	1255	1175	1099	924	767	609	479
	HI	1478	1428	1362	1279	1195	1110	915	755	600	484
CFM with Coil	LO	899	837	784	724	609	570	519	455	388	360
98-8Z12W-OP	MED-LO	1040	1004	964	909	851	751	700	640	616	493
with Cabinet	MEDIUM	1258	1235	1185	1143	1099	1060	1000	848	704	533
97-FLSB-39	MED-HI	1484	1441	1393	1353	1316	1245	1137	1012	679	551
or 97-FLSF-39	HI	1570	1531	1488	1415	1344	1279	1170	1070	736	562
CFM with Coil	LO	851	813	759	708	618	555	523	458	394	362
98-8Z12W-OP	MED-LO	1021	982	934	884	837	740	684	636	573	452
with Cabinet	MEDIUM	1210	1170	1138	1092	1052	999	922	751	613	469
97-FSOB-39	MED-HI	1419	1385	1344	1279	1210	1083	1010	774	621	480
	HI	1503	1458	1393	1312	1230	1103	1019	785	629	486
CFM with Coil	LO	856	795	740	680	572	536	502	450	398	358
96-8W4W-OP	MED-LO	1002	965	920	866	819	712	650	619	630	502
with Cabinet	MEDIUM	1204	1163	1128	1093	1048	1007	952	785	667	581
97-FLSB-21	MED-HI	1383	1364	1332	1291	1248	1184	1099	837	696	528
or 97-FLSF-21	HI	1468	1458	1424	1368	1300	1219	1126	1019	700	536
CFM with Coil	LO	816	775	708	672	557	557	507	444	398	357
96-8W4W-OP	MED-LO	988	926	876	836	791	692	633	630	596	423
with Cabinet	MEDIUM	1163	1114	1087	1038	1002	959	895	680	653	477
97 FSOB-21	MED-HI	1355	1323	1281	1224	1147	1081	977	736	653	483
	HI	1433	1381	1314	1243	1166	1082	989	740	656	493

**Table 5-2: Blower Performance -10 X 9 Morrison Wheel - 1/2 HP 5 SPD X-13 Motor (With Air Filters)**

		EXTERNAL STATIC PRESSURE (ESP) INCHES WC DUCT									
SPD TAP		0.1	0.2	0.3	0.4	0.5	0.6	0.7	0.8	0.9	1
CFM-NO-COIL	LO	1225	1174	1121	1077	1036	976	924	877	740	629
	MED-LO	1429	1386	1345	1308	1245	1220	1158	1115	1070	608
	MEDIUM	1569	1529	1476	1438	1403	1368	1313	1260	1109	707
	MED-HI	1785	1740	1711	1664	1619	1592	1488	1359	1137	967
	HI	2129	2057	2017	1959	1838	1733	1603	1432	1225	1183
CFM with Coil 98-8W7W-OP and Cabinet 97-FLSB-27 or 97-FLSF-27	LO	1104	1059	1012	975	930	876	780	719	662	581
	MED-LO	1292	1244	1214	1184	1136	1098	1053	981	773	584
	MEDIUM	1400	1365	1334	1301	1263	1219	1168	1070	780	592
	MED-HI	1596	1569	1521	1468	1392	1301	1204	1087	811	604
	HI	1743	1659	1615	1505	1425	1341	1236	1106	809	582
CFM with Coil 98-8W7W-OP with Cabinet 97-FSOB-27	LO	1067	1017	978	942	889	805	758	703	661	518
	MED-LO	1268	1229	1199	1158	1109	1075	1012	826	675	536
	MEDIUM	1374	1343	1311	1278	1224	1163	1053	812	708	524
	MED-HI	1549	1481	1409	1338	1258	1189	1087	848	669	481
	HI	1611	1529	1460	1383	1297	1199	1115	889	708	578
CFM with Coil 98-8W12W-OP with Cabinet 97-FLSB-39 or 97-FLSF-39	LO	1104	1085	1025	979	936	882	786	719	682	580
	MED-LO	1309	1266	1232	1197	1156	1119	1074	1010	790	606
	MEDIUM	1429	1390	1350	1323	1281	1234	1203	1124	801	629
	MED-HI	1607	1573	1539	1497	1430	1332	1256	1152	815	637
	HI	1751	1663	1607	1533	1455	1372	1270	1160	811	619
CFM with Coil 98-8W12W-OP with Cabinet 97-FSOB-39	LO	1104	1059	1023	974	935	902	841	723	676	563
	MED-LO	1285	1246	1211	1175	1126	1104	1065	874	711	561
	MEDIUM	1404	1350	1327	1294	1251	1211	1145	1005	718	535
	MED-HI	1601	1538	1468	1400	1327	1241	1148	888	719	541
	HI	1725	1613	1530	1442	1360	1283	1190	1088	739	576
CFM with Coil 98-8G12W-OP with Cabinet 97-FLSB-39 or 97-FLSF-39	LO	1111	1072	1019	976	931	877	781	712	680	548
	MED-LO	1289	1255	1226	1185	1143	1105	1066	938	732	556
	MEDIUM	1415	1367	1345	1308	1270	1226	1170	1072	751	573
	MED-HI	1594	1571	1519	1449	1380	1294	1205	1043	736	551
	HI	1716	1643	1563	1511	1411	1317	1228	1088	748	596
CFM with Coil 98-8G12W-OP with Cabinet 97-FSOB-39	LO	1084	1038	996	952	899	813	748	705	823	494
	MED-LO	1262	1227	1187	1150	1112	1067	1014	775	621	488
	MEDIUM	1373	1341	1314	1265	1207	1134	1032	807	638	489
	MED-HI	1513	1455	1373	1309	1247	1150	1067	793	672	509
	HI	1557	1484	1417	1337	1271	1172	1055	835	885	533
CFM with Coil 98-8Z12W-OP with Cabinet 97-FLSB-39 or 97-FLSF-39	LO	1106	1072	1026	969	938	878	774	721	676	532
	MED-LO	1299	1266	1222	1186	1139	1100	1057	938	752	539
	MEDIUM	1416	1377	1341	1309	1271	1241	1181	1067	740	539
	MED-HI	1603	1588	1540	1476	1390	1336	1232	1095	748	545
	HI	1741	1667	1607	1532	1435	1350	1253	1148	1165	558
CFM with Coil 98-8Z12W-OP with Cabinet 97-FSOB-39	LO	1088	1019	1007	967	924	870	824	716	621	507
	MED-LO	1270	1240	1200	1143	1110	1077	990	747	612	496
	MEDIUM	1371	1340	1303	1265	1210	1138	1019	796	627	506
	MED-HI	1555	1487	1424	1331	1270	1148	1037	792	675	494
	HI	1613	1543	1445	1385	1279	1200	1083	924	700	507

**Table 6: Blower Performance -10 X 9 Morrison Wheel - 3/4 HP 5 SPD X-13 Motor (With Air filters)**

		EXTERNAL STATIC PRESSURE (ESP) INCHES WC DUCT										
		SPD TAP	0.1	0.2	0.3	0.4	0.5	0.6	0.7	0.8	0.9	1
CFM-NO-COIL	LO	982	979	976	962	932	894	835	711	598	502	
	MEDIUM	1417	1404	1369	1333	1291	1242	1177	1085	959	579	
	HI	1771	1704	1624	1544	1448	1372	1270	1167	1037	738	
CFM with Coil 98-8G7W-OP with Cabinet	LO	944	931	918	904	863	834	692	590	525	438	
	MEDIUM	1317	1293	1255	1210	1169	1099	1013	918	656	579	
	HI	1620	1563	1499	1432	1362	1293	1195	1066	812	608	
97-FLSB-27 OR 97-FLSF-27												
CFM with Coil 98-8G7W-OP with Cabinet 97-FSOB-27	LO	935	926	901	862	818	717	650	603	513	395	
	MEDIUM	1307	1260	1205	1143	1088	1013	923	737	642	563	
	HI	1519	1445	1362	1298	1225	1138	1054	950	732	594	
CFM with Coil 98-8W7W-OP with Cabinet 97-FLSB-27 or 97-FLSF-27	LO	957	951	942	911	866	822	699	635	446	383	
	MEDIUM	1345	1308	1266	1207	1155	1085	998	902	699	546	
	HI	1600	1542	1478	1415	1336	1242	1134	1028	908	694	
CFM with Coil 98-8W7W-OP with Cabinet 97-FSOB-27	LO	956	925	891	852	800	697	641	608	521	393	
	MEDIUM	1271	1222	1166	1117	1055	983	796	721	634	565	
	HI	1438	1369	1304	1232	1166	1090	1008	811	705	615	
CFM with Coil 98-8W12W-OP with Cabinet 97-FLSB-39 or 97-FLSF-39	LO	932	919	913	893	860	808	752	674	555	450	
	MEDIUM	1336	1303	1279	1234	1172	1111	1030	948	793	678	
	HI	1683	1615	1552	1465	1386	1303	1208	1100	987	771	
CFM with Coil 98-8W12W-OP with Cabinet 97-FSOB-39	LO	961	934	902	863	811	752	675	596	505	379	
	MEDIUM	1302	1243	1197	1134	1061	988	910	764	632	488	
	HI	1488	1415	1339	1268	1182	1101	1013	910	709	543	
CFM with Coil 98-8G12W-OP with Cabinet 97-FLSB-39 or 97-FLSF-39	LO	955	940	922	884	838	786	714	593	510	396	
	MEDIUM	1331	1289	1236	1181	1118	1055	960	874	690	511	
	HI	1607	1538	1461	1362	1284	1191	1096	1003	861	706	
CFM with Coil 98-8G12W-OP with Cabinet	LO	950	925	891	845	797	745	669	556	485	374	
	MEDIUM	1272	1207	1151	1096	1022	948	875	768	589	511	
	HI	1411	1354	1285	1222	1140	1063	986	875	726	567	

**Table 7-1: Blower Performance -10 X 9 Morrison Wheel - 1/2 HP 3 SPD PSC Motor (With Air filters)**

		EXTERNAL STATIC PRESSURE (ESP) INCHES WC DUCT									
SPD TAP		0.1	0.2	0.3	0.4	0.5	0.6	0.7	0.8	0.9	1
CFM with Coil	LO	959	953	947	916	870	815	732	643	547	451
98-8Z12W-OP	MEDIUM	1367	1331	1283	1233	1155	1105	1017	921	763	585
with Cabinet	HI	1641	1579	1506	1425	1340	1238	1150	1053	934	736
97-FLSB-39 or 97-FLSF-39											
CFM with Coil	LO	957	939	904	862	810	755	653	585	502	384
98-8Z12W-OP	MEDIUM	1281	1217	1170	1111	1048	975	902	704	637	553
with Cabinet	HI	1448	1387	1314	1242	1175	1094	1006	916	732	578
97-FSOB-39											
CFM with Coil	LO	946	940	913	890	850	807	701	613	555	445
96-8W4W-OP	MEDIUM	1319	1279	1229	1192	1155	1080	991	897	711	552
with Cabinet	HI	1590	1534	1467	1396	1313	1223	1127	1028	904	731
97-FLSB-21 or 97-FLSF-21											
CFM with Coil	LO	942	920	885	835	789	708	630	573	494	364
96-8W4W-OP	MEDIUM	1264	1203	1150	1090	1025	950	883	709	634	542
with Cabinet	HI	1428	1348	1283	1208	1129	1049	969	890	704	607
97 FSOB-21											

**Table 7-.2: Blower Performance -10 X 9 Morrison Wheel - 1/2 HP 3 SPD PSC Motor (With Air filters)**

		EXTERNAL STATIC PRESSURE (ESP) INCHES WC DUCT									
SPD TAP		0.1	0.2	0.3	0.4	0.5	0.6	0.7	0.8	0.9	1
CFM-NO-COIL	LO	1497	1464	1413	1355	1289	1226	1143	1059	929	678
	MEDIUM	1742	1689	1624	1531	1452	1362	1258	1152	1044	727
	HI	1858	1814	1721	1629	1543	1440	1335	1221	1120	1000
CFM with Coil 98-8W7W-OP and Cabinet	LO	1364	1336	1285	1236	1180	1121	1023	816	699	542
	MEDIUM	1631	1573	1510	1443	1373	1289	1195	1029	762	678
	HI	1773	1700	1635	1555	1471	1388	1293	1183	848	723
FLSB-27 or 97-FLSF-27											
CFM with Coil 98-8W7W-OP with Cabinet 97-FSOB-27	LO	1329	1291	1243	1193	1118	1051	965	726	605	453
	MEDIUM	1486	1427	1365	1306	1233	1151	1085	846	698	576
	HI	1562	1498	1444	1365	1301	1228	1135	1051	734	563
CFM with Coil 98-8W12W-OP with Cabinet	LO	1395	1363	1322	1279	1220	1157	1074	971	741	522
	MEDIUM	1677	1613	1551	1481	1408	1322	1245	1162	1002	689
	HI	1804	1737	1656	1583	1506	1418	1332	1217	1099	730
FLSB-39 or 97-FLSF-39											
CFM with Coil 98-8W12W-OP with Cabinet 97-FSOB-39	LO	1343	1293	1235	1174	1115	1042	969	862	622	474
	MEDIUM	1502	1440	1370	1302	1240	1153	1059	950	823	523
	HI	1599	1530	1457	1388	1314	1244	1355	1039	762	566
CFM with Coil 98-8G12W-OP with Cabinet	LO	1412	1372	1326	1278	1214	1145	1067	951	713	504
	MEDIUM	1643	1577	1505	1438	1358	1288	1203	1107	983	684
	HI	1747	1672	1605	1529	1443	1358	1275	1176	1056	688
FLSB-39 or 97-FLSF-39											
CFM with Coil 98-8G12W-OP with Cabinet 97-FSOB-39	LO	1352	1301	1248	1182	1118	1051	879	734	589	450
	MEDIUM	1504	1443	1385	1318	1240	1165	1068	808	706	544
	HI	1597	1528	1455	1385	1311	1233	1149	1051	760	556
CFM with Coil 98-8Z12W-OP with Cabinet	LO	1390	1368	1327	1284	1225	1162	1091	1002	722	575
	MEDIUM	1651	1594	1530	1460	1390	1312	1225	1124	1002	637
	HI	1789	1716	1640	1565	1488	1399	1318	1210	1076	772
FLSB-39 or 97-FLSF-39											
CFM with Coil 98-8Z12W-OP with Cabinet 97-FSOB-39	LO	1365	1324	1267	1208	1145	1068	984	706	620	483
	MEDIUM	1522	1465	1401	1324	1263	1188	1102	1003	698	538
	HI	1609	1534	1461	1404	1318	1248	1173	1068	764	668

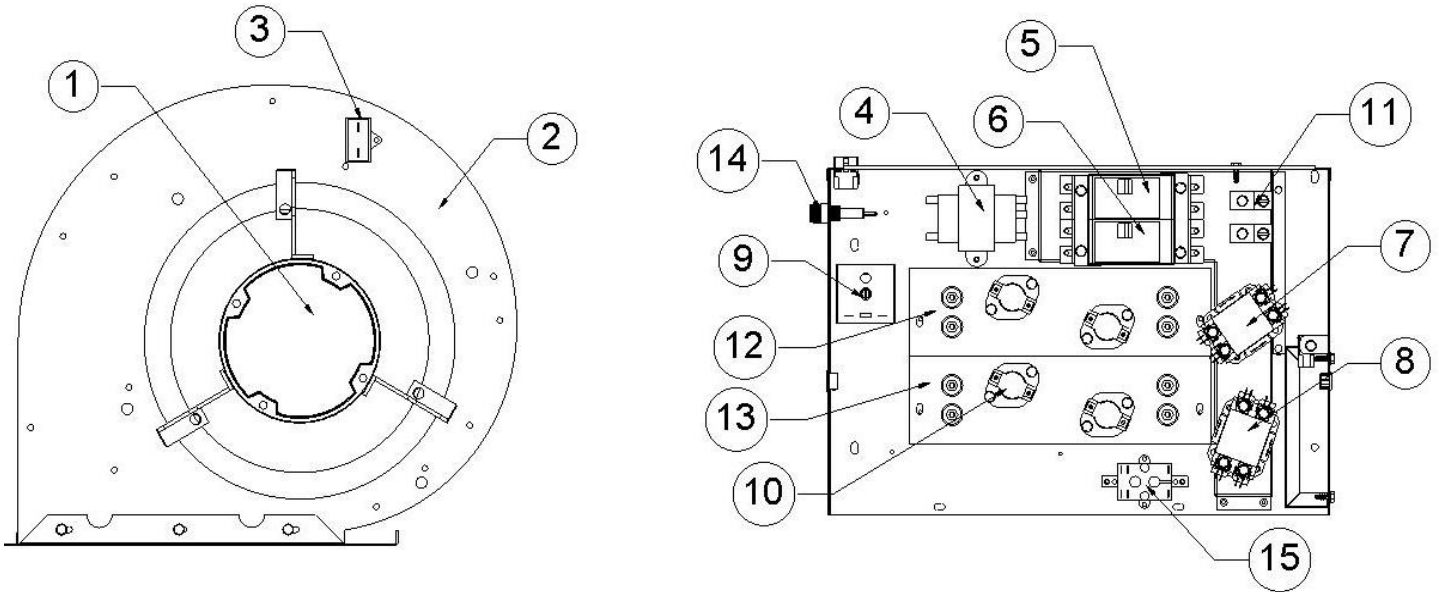
**Table 8: Blower Performance -10 X 9 Morrison Wheel - 3/4 HP 3 SPD PSC Motor (With Air filters)**

**SECTION VII: ACCESSORY AND REPLACEMENT PARTS LISTS**

<b>DESCRIPTION</b>	<b>PART NUMBER</b>
DUCT CONNECTOR ASSEMBLY 2 - 4 IN MULTI USE	90-DCU0-01
DUCT CONNECTOR ASSEMBLY 6 - 8 IN MULTI USE	90-DCU0-02
DUCT CONNECTOR ASSEMBLY 8 - 12 IN MULTI USE	90-DCU0-03
BMH TRANSITION SUB BASE	90-DCU0-04
WR 1F95-1291 MORTEX BRAND THERMOSTAT	68AB0011
WR 1F95-1291 HEAT CONTROLLER BRAND THERMOSTAT	68AB0012
WR 1F95-1291 WINCHESTER BRAND THERMOSTAT	68AB0013
WR OUTDOOR TEMPERATURE SENSOR	68AB0014
VITRONICS DIGITAL HEATING/COOLING/HP THERMOSTAT	68AB0015
1/3 HP PSC 3 TON ACCESSORY BLOWER	86MH0022
1/3 HP X-13 3 TON ACCESSORY BLOWER	86MH0023
1/2 HP PSC 4 TON ACCESSORY BLOWER	86MH0024
1/2 HP X-13 4 TON ACCESSORY BLOWER	86MH0025
3/4 HP PSC 5 TON ACCESSORY BLOWER	86MH0026
3/4 HP X-13 5 TON ACCESSORY BLOWER	86MH0027
21" 1200 CFM BROKE DOWN COOLING COIL CABINET	97-FLSB-21
21" 1600 CFM BROKE DOWN COOLING COIL CABINET	97-FSOB-21
21" 1800 CFM BROKE DOWN COOLING COIL CABINET	97-FLOB-21
31" 1600 CFM BROKE DOWN COOLING COIL CABINET	97-FLSB-27
31" 1600 CFM BROKE DOWN COOLING COIL CABINET	97-FSOB-27
31" 1800 CFM BROKE DOWN COOLING COIL CABINET	97-FLOB-27
40" 1800 CFM BROKE DOWN COOLING COIL CABINET	97-FLSB-39
40" 1800 CFM BROKE DOWN COOLING COIL CABINET	97-FSOB-39
18" TALL RETURN AIR FILTER GRILLE	97-FG-18
24" TALL RETURN AIR FILTER GRILLE	97-FG-24
5 kW FIELD INSTALLED ELECTRIC HEATER KIT	BE30HK-05A
8 kW FIELD INSTALLED ELECTRIC HEATER KIT	BE30HK-08A
10 kW FIELD INSTALLED ELECTRIC HEATER KIT	BE30HK-10A
12 kW FIELD INSTALLED ELECTRIC HEATER KIT	BE30HK-12A
15 kW FIELD INSTALLED ELECTRIC HEATER KIT	BE30HK-15A
20 kW FIELD INSTALLED ELECTRIC HEATER KIT	BE30HK-20A

**Table 9: Accessory Parts List**

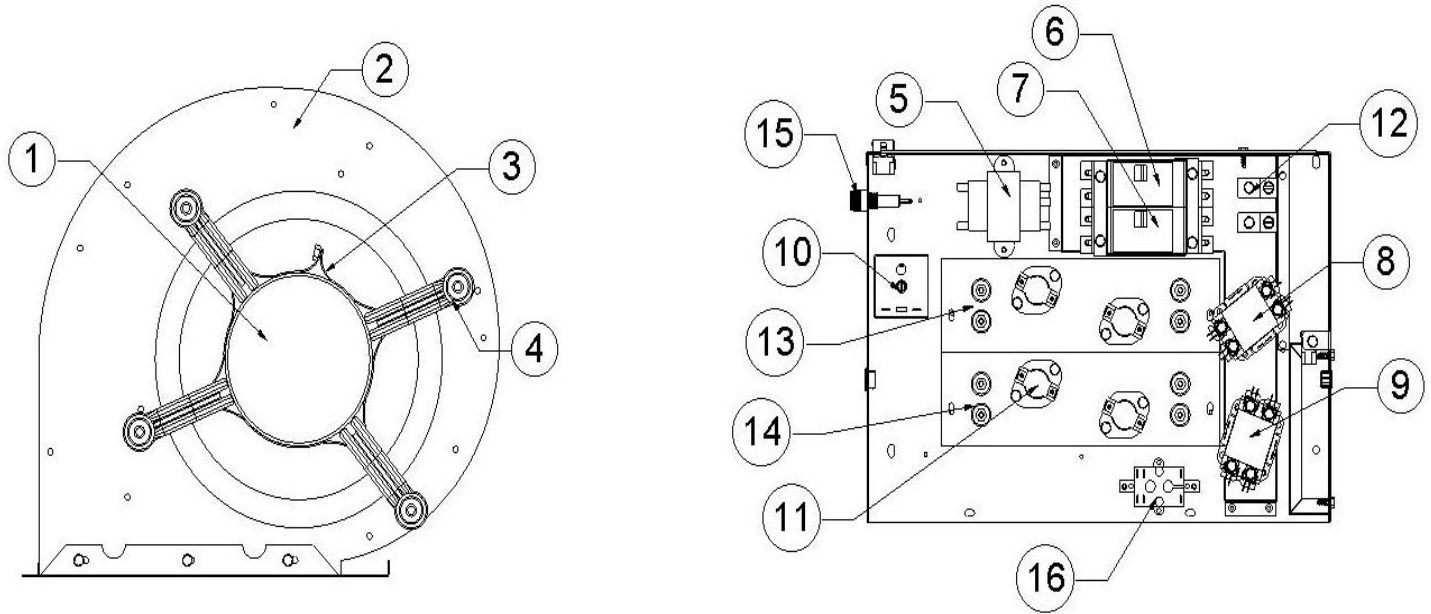
## SECTION VIII: REPLACEMENT PARTS LISTS



**Figure 15: Replacement Parts Item Identification for Single and Two Stage Electric Heat Models with PSC Blower Motor**

Item	Description	MODELS					
		E30A2D005AAA	E30A2D0008ABA	E30A2D010ABA	E30A2D012ABA	E30A2D015ABA	E30A2D020ABA
1	1/3 HP PSC BLOWER MOTOR	R65BP0014	R65BP0014	R65BP0014	R65BP0014	R65BP0014	R65BP0014
2	BLOWER HOUSING & WHEEL	R69AD0018	R69AD0018	R69AD0018	R69AD0018	R69AD0018	R69AD0018
3	CAPACITOR	R68DE0006	R68DE0006	R68DE0006	R68DE0006	R68DE0006	R68DE0006
4	TRANSFORMER	R68AA0008	R68AA0008	R68AA0008	R68AA0008	R68AA0008	R68AA0008
5	CIRCUIT BREAKER 1	R68BAD014	R68BAD017	R68BAD018	R68BAD014	R68BAD018	R68BAD018
6	CIRCUIT BREAKER 2				R68BAD013	R68BAD013	R68BAD017
7	HEATER CONTACTOR 1	R68AB0019	R68AB0019	R68AB0019	R68AB0019	R68AB0019	R68AB0019
8	HEATER CONTACTOR 2				R68AB0019	R68AB0019	R68AB0019
9	TIME DELAY RELAY	R68AC0009	R68AC0009	R68AC0009	R68AC0009	R68AC0009	R68AC0009
10	LIMIT 155° F	R68CA0008	R68CA0008	R68CA0008	R68CA0008	R68CA0008	R68CA0008
11	GROUND LUG	R68GF0022	R68GF0022	R68GF0022	R68GF0022	R68GF0022	R68GF0022
12	ELECTRIC HEATER ELEMENT 1	R68AB0015	R68AB0016	R68AB0017	R68AB0004	R68AB0014	R68AB0017
13	ELECTRIC HEATER ELEMENT 2				R68AB0004		R68AB0017
14	3 AMP FUSE	R68DC0045	R68DC0045	R68DC0045	R68DC0045	R68DC0045	R68DC0045
15	BLOWER RELAY	R68AB0001	R68AB0001	R68AB0001	R68AB0001	R68AB0001	R68AB0001

**Table 10: Replacement Parts for Single and Two Stage Electric Heat Models with a 1/3 HP PSC Blower Motor**

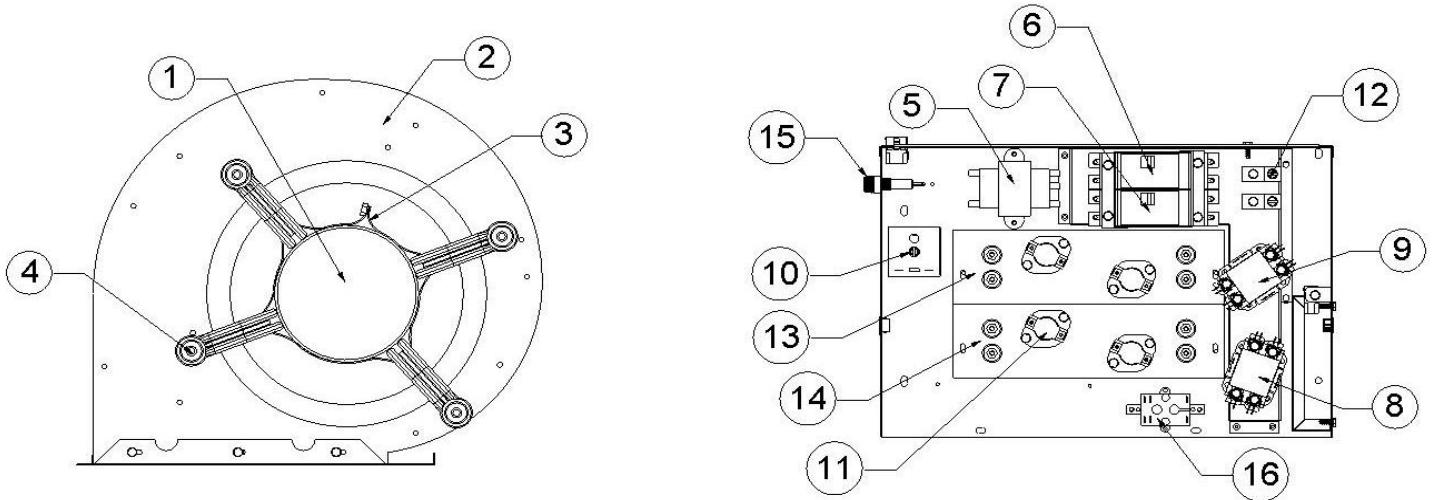


**Figure 16: Replacement Parts Item Identification for Single and Two Stage Electric Heat Models with a 1/3 HP Constant Torque Blower Motor**

Item	Description	MODELS					
		E30B3D005AAA	E30B3D008ABA	E30B3D010ABA	E30B3D0102ABA	E30B3D015ABA	E30B3D020ABA
1	1/3 HP CT BLOWER MOTOR	R65BV0025	R65BV0025	R65BV0025	R65BV0025	R65BV0025	R65BV0025
2	BLOWER HOUSING & WHEEL	R69AD0018	R69AD0018	R69AD0018	R69AD0018	R69AD0018	R69AD0018
3	MOTOR MOUNT BAND	R66AB0058	R66AB0058	R66AB0058	R66AB0058	R66AB0058	R66AB0058
4	MTR MT ARM & GROMMET	R66AB0059	R66AB0059	R66AB0059	R66AB0059	R66AB0059	R66AB0059
5	TRANSFORMER	R68AA0008	R68AA0008	R68AA0008	R68AA0008	R68AA0008	R68AA0008
6	CIRCUIT BREAKER 1	R68BAD014	R68BAD017	R68BAD018	R68BAD014	R68BAD018	R68BAD018
7	CIRCUIT BREAKER 2				R68BAD013	R68BAD013	R68BAD017
8	HEATER CONTACTOR 1	R68AB0019	R68AB0019	R68AB0019	R68AB0019	R68AB0019	R68AB0019
9	HEATER CONTACTOR 2				R68AB0019	R68AB0019	R68AB0019
10	TIME DELAY RELAY	R68AC0009	R68AC0009	R68AC0009	R68AC0009	R68AC0009	R68AC0009
11	LIMIT 155° F	R68CA0008	R68CA0008	R68CA0008	R68CA0008	R68CA0008	R68CA0008
12	GROUND LUG	R68GF0022	R68GF0022	R68GF0022	R68GF0022	R68GF0022	R68GF0022
13	ELECTRIC HEATER ELEMENT 1	R68AB0015	R68AB0016	R68AB0017	R68AB0004	R68AB0014	R68AB0017
14	ELECTRIC HEATER ELEMENT 2				R68AB0004		R68AB0017
15	3 AMP FUSE	R68DC0045	R68DC0045	R68DC0045	R68DC0045	R68DC0045	R68DC0045
16	BLOWER RELAY	R68AB0001	R68AB0001	R68AB0001	R68AB0001	R68AB0001	R68AB0001

**Table 11: Replacement Parts for Single and Two Stage Electric Heat Models with a 1/3 HP X-13 Blower Motor**

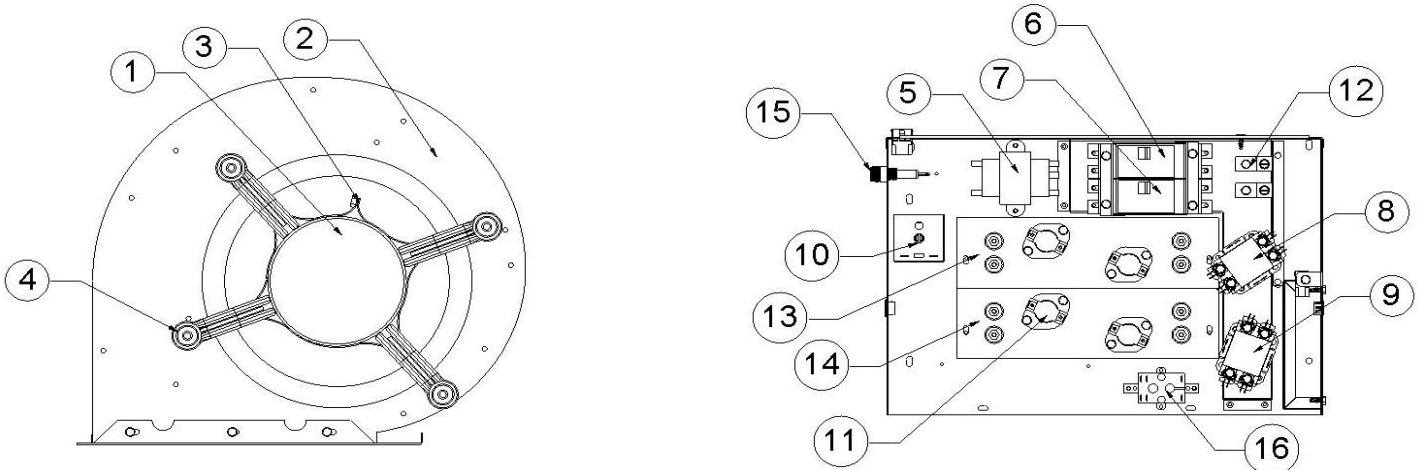




**Figure 17: Replacement Parts Item Identification for Single and Two Stage Electric Heat Models with a 1/2 HP X-13 Blower Motor**

Item	Description	MODELS					
		E30B4D005AAA	E30B4D008ABA	E30B4D010ABA	E30B4D0102ABA	E30B4D015ABA	E30B4D020ABA
1	1/2 HP CT BLOWER MOTOR	R65BV0026	R65BV0026	R65BV0026	R65BV0026	R65BV0026	R65BV0026
2	BLOWER HOUSING & WHEEL	R69AD0018	R69AD0018	R69AD0018	R69AD0018	R69AD0018	R69AD0018
3	MOTOR MOUNT BAND	R66AB0058	R66AB0058	R66AB0058	R66AB0058	R66AB0058	R66AB0058
4	MTR MT ARM & GROMMET	R66AB0059	R66AB0059	R66AB0059	R66AB0059	R66AB0059	R66AB0059
5	TRANSFORMER	R68AA0008	R68AA0008	R68AA0008	R68AA0008	R68AA0008	R68AA0008
6	CIRCUIT BREAKER 1	R68BAD014	R68BAD017	R68BAD018	R68BAD014	R68BAD018	R68BAD018
7	CIRCUIT BREAKER 2				R68BAD013	R68BAD013	R68BAD017
8	HEATER CONTACTOR 1	R68AB0019	R68AB0019	R68AB0019	R68AB0019	R68AB0019	R68AB0019
9	HEATER CONTACTOR 2				R68AB0019	R68AB0019	R68AB0019
10	TIME DELAY RELAY	R68AC0009	R68AC0009	R68AC0009	R68AC0009	R68AC0009	R68AC0009
11	LIMIT 155° F	R68CA0008	R68CA0008	R68CA0008	R68CA0008	R68CA0008	R68CA0008
12	GROUND LUG	R68GF0022	R68GF0022	R68GF0022	R68GF0022	R68GF0022	R68GF0022
13	ELECTRIC HEATER ELEMENT 1	R68AB0015	R68AB0016	R68AB0017	R68AB0004	R68AB0014	R68AB0017
14	ELECTRIC HEATER ELEMENT 2				R68AB0004		R68AB0017
15	3 AMP FUSE	R68DC0045	R68DC0045	R68DC0045	R68DC0045	R68DC0045	R68DC0045
16	BLOWER RELAY	R68AB0001	R68AB0001	R68AB0001	R68AB0001	R68AB0001	R68AB0001

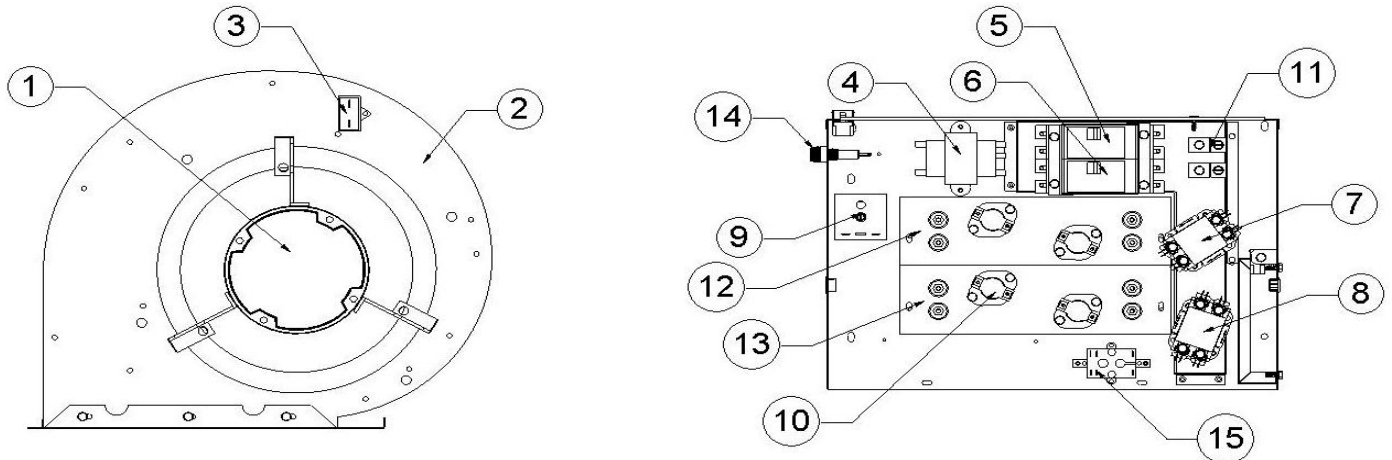
**Table 12: Replacement Parts for Single and Two Stage Electric Heat Models with a 1/2 HP X-13 Blower Motor**



**Figure 18: Replacement Parts Item Identification for Single and Two Stage Electric Heat Models with a 3/4 HP X-13 Blower Motor**

Item	Description	MODELS					
		E30B5D005AAA	E30B5D008ABA	E30B5D010ABA	E30B5D0102ABA	E30B5D015ABA	E30B5D020ABA
1	3/4 HP CT BLOWER MOTOR	R65BV0027	R65BV0027	R65BV0027	R65BV0027	R65BV0027	R65BV0027
2	BLOWER HOUSING & WHEEL	R69AD0018	R69AD0018	R69AD0018	R69AD0018	R69AD0018	R69AD0018
3	MOTOR MOUNT BAND	R66AB0058	R66AB0058	R66AB0058	R66AB0058	R66AB0058	R66AB0058
4	MTR MT ARM & GROMMET	R66AB0059	R66AB0059	R66AB0059	R66AB0059	R66AB0059	R66AB0059
5	TRANSFORMER	R68AA0008	R68AA0008	R68AA0008	R68AA0008	R68AA0008	R68AA0008
6	CIRCUIT BREAKER 1	R68BAD014	R68BAD017	R68BAD018	R68BAD014	R68BAD018	R68BAD018
7	CIRCUIT BREAKER 2				R68BAD013	R68BAD013	R68BAD017
8	HEATER CONTACTOR 1	R68AB0019	R68AB0019	R68AB0019	R68AB0019	R68AB0019	R68AB0019
9	HEATER CONTACTOR 2				R68AB0019	R68AB0019	R68AB0019
10	TIME DELAY RELAY	R68AC0009	R68AC0009	R68AC0009	R68AC0009	R68AC0009	R68AC0009
11	LIMIT 155° F	R68CA0008	R68CA0008	R68CA0008	R68CA0008	R68CA0008	R68CA0008
12	GROUND LUG	R68GF0022	R68GF0022	R68GF0022	R68GF0022	R68GF0022	R68GF0022
13	ELECTRIC HEATER ELEMENT 1	R68AB0015	R68AB0016	R68AB0017	R68AB0004	R68AB0014	R68AB0017
14	ELECTRIC HEATER ELEMENT 2				R68AB0004		R68AB0017
15	3 AMP FUSE	R68DC0045	R68DC0045	R68DC0045	R68DC0045	R68DC0045	R68DC0045
16	BLOWER RELAY	R68AB0001	R68AB0001	R68AB0001	R68AB0001	R68AB0001	R68AB0001

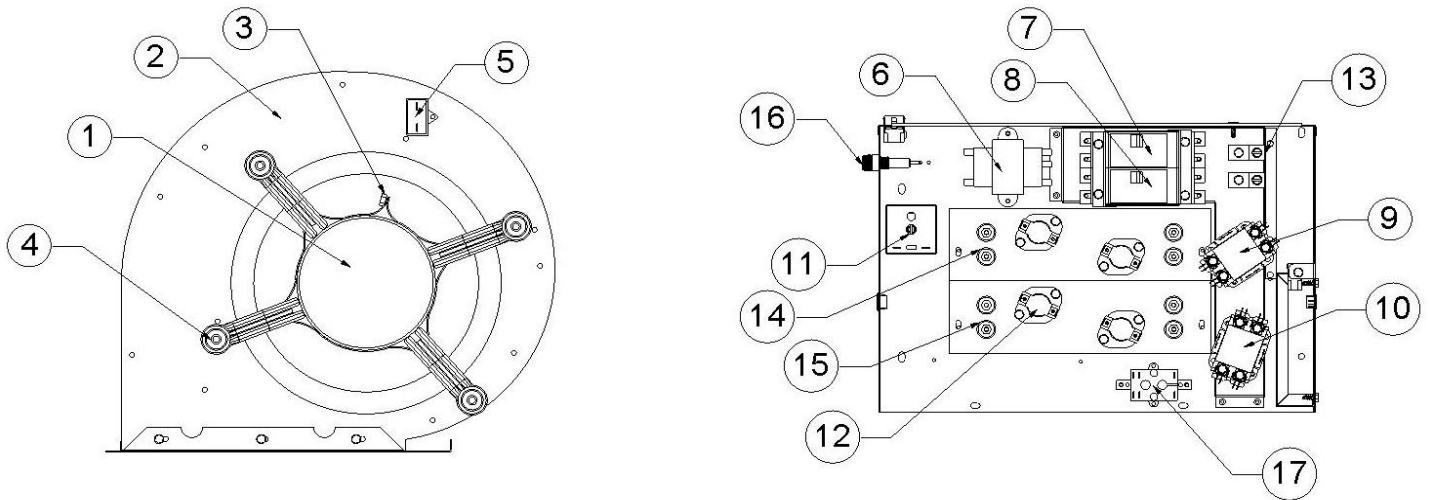
**Table 13: Replacement Parts for Single and Two Stage Electric Heat Models with a 3/4 HP X-13 Blower Motor**



**Figure 19: Replacement Parts Item Identification for the Single and Two Stage Electric Heat Models with a 1/2 HP PSC Blower Motor**

Item	Description	MODELS					
		E30A1D005AAA	E30A1D0008ABA	E30A1D010ABA	E30A1D012ABA	E30A1D015ABA	E30A1D020ABA
1	1/2 HP PSC BLOWER MOTOR	R65BP0001	R65BP0001	R65BP0001	R65BP0001	R65BP0001	R65BP0001
2	BLOWER HOUSING & WHEEL	R69AD0018	R69AD0018	R69AD0018	R69AD0018	R69AD0018	R69AD0018
3	CAPACITOR	R68DE0008	R68DE0008	R68DE0008	R68DE0008	R68DE0008	R68DE0008
4	TRANSFORMER	R68AA0008	R68AA0008	R68AA0008	R68AA0008	R68AA0008	R68AA0008
5	CIRCUIT BREAKER 1	R68BAD014	R68BAD017	R68BAD018	R68BAD014	R68BAD018	R68BAD018
6	CIRCUIT BREAKER 2				R68BAD013	R68BAD013	R68BAD017
7	HEATER CONTACTOR 1	R68AB0019	R68AB0019	R68AB0019	R68AB0019	R68AB0019	R68AB0019
8	HEATER CONTACTOR 2				R68AB0019	R68AB0019	R68AB0019
9	TIME DELAY RELAY	R68AC0009	R68AC0009	R68AC0009	R68AC0009	R68AC0009	R68AC0009
10	LIMIT 155° F	R68CA0008	R68CA0008	R68CA0008	R68CA0008	R68CA0008	R68CA0008
11	GROUND LUG	R68GF0022	R68GF0022	R68GF0022	R68GF0022	R68GF0022	R68GF0022
12	ELECTRIC HEATER ELEMENT 1	R68AB0015	R68AB0016	R68AB0017	R68AB0004	R68AB0014	R68AB0017
13	ELECTRIC HEATER ELEMENT 2				R68AB0004		R68AB0017
14	3 AMP FUSE	R68DC0045	R68DC0045	R68DC0045	R68DC0045	R68DC0045	R68DC0045
15	BLOWER RELAY	R68AB0001	R68AB0001	R68AB0001	R68AB0001	R68AB0001	R68AB0001

**Table 14: Replacement Parts for the Single and Two Stage Electric Heat Models with a 1/2 HP PSC Blower Motor**



**Figure 20: Replacement Parts Item Identification for the Single and Two Stage Electric Heat Models with a 3/4 HP PSC Blower Motor**

Item	Description	MODELS					
		E30A6D005AAA	E30A6D0008ABA	E30A6D010ABA	E30A6D012ABA	E30A6D015ABA	E30A6D020ABA
1	1/2 HP PSC BLOWER MOTOR	R65BP0006	R65BP0006	R65BP0006	R65BP0006	R65BP0006	R65BP0006
2	BLOWER HOUSING & WHEEL	R69AD0018	R69AD0018	R69AD0018	R69AD0018	R69AD0018	R69AD0018
3	MOTOR MOUNT BAND	R66AB0058	R66AB0058	R66AB0058	R66AB0058	R66AB0058	R66AB0058
4	MTR MT ARM & GROMMET	R66AB0059	R66AB0059	R66AB0059	R66AB0059	R66AB0059	R66AB0059
5	CAPACITOR	R68DE0009	R68DE0009	R68DE0009	R68DE0009	R68DE0009	R68DE0009
6	TRANSFORMER	R68AA0008	R68AA0008	R68AA0008	R68AA0008	R68AA0008	R68AA0008
7	CIRCUIT BREAKER 1	R68BAD014	R68BAD017	R68BAD018	R68BAD014	R68BAD018	R68BAD018
8	CIRCUIT BREAKER 2				R68BAD013	R68BAD013	R68BAD017
9	HEATER CONTACTOR 1	R68AB0019	R68AB0019	R68AB0019	R68AB0019	R68AB0019	R68AB0019
10	HEATER CONTACTOR 2				R68AB0019	R68AB0019	R68AB0019
11	TIME DELAY RELAY	R68AC0009	R68AC0009	R68AC0009	R68AC0009	R68AC0009	R68AC0009
12	LIMIT 155° F	R68CA0008	R68CA0008	R68CA0008	R68CA0008	R68CA0008	R68CA0008
13	GROUND LUG	R68GF0022	R68GF0022	R68GF0022	R68GF0022	R68GF0022	R68GF0022
14	ELECTRIC HEATER ELEMENT 1	R68AB0015	R68AB0016	R68AB0017	R68AB0004	R68AB0014	R68AB0017
15	ELECTRIC HEATER ELEMENT 2				R68AB0004		R68AB0017
16	3 AMP FUSE	R68DC0045	R68DC0045	R68DC0045	R68DC0045	R68DC0045	R68DC0045
17	BLOWER RELAY	R68AB0001	R68AB0001	R68AB0001	R68AB0001	R68AB0001	R68AB0001

**Table 15: Replacement Parts for the Single Stage Electric Heat Models with a 3/4 HP PSC Blower Motor**