



www.Source1Parts.com

# TG8S SERIES 80% SINGLE STAGE MULTI-POSITION 33" NATURAL GAS FURNACES (STYLE B) INCLUDES LO-NOX MODELS TGLS

HVAC SERVICE PARTS

Supersedes: 035-23619-001 Rev. D (0817)

035-23619-001 Rev. E (0817)

1 of 6

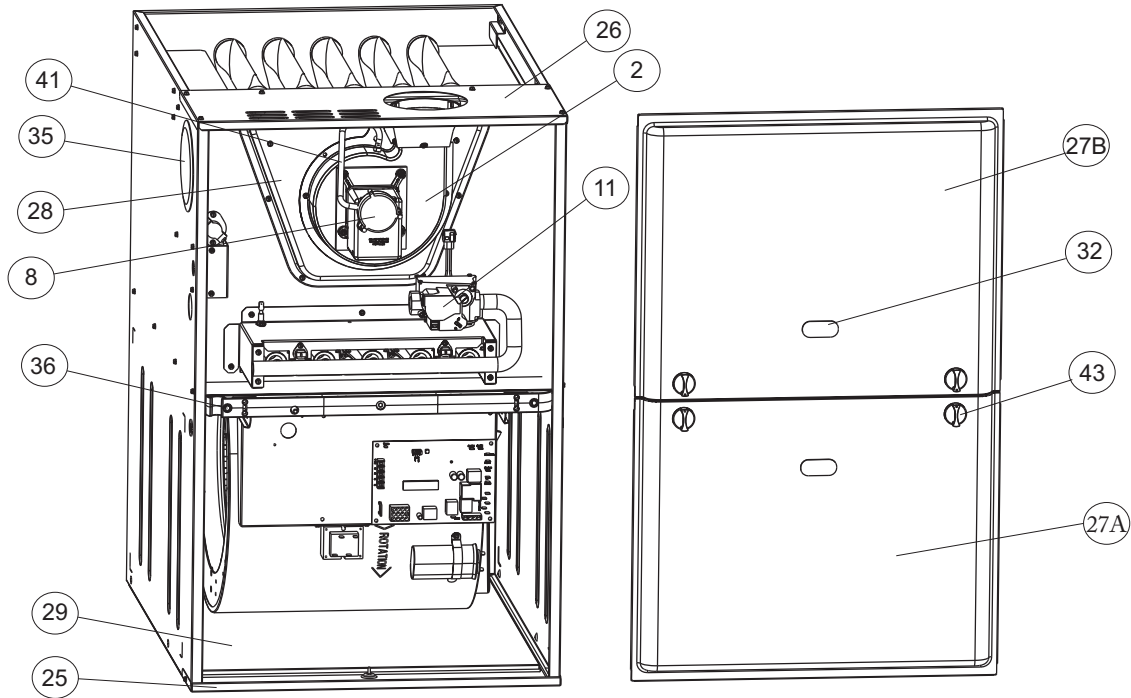


Figure 1: 80% SINGLE STAGE MULTI-POSITION NATURAL GAS FURNACES

FIG	ITEM	DESCRIPTION	TG8S040A08MP11B	TG8S060A10MP11B	TG8S060A12MP11B	TG8S080B12MP11B
			TGLS040A08MP11B	TGLS060A10MP11B	TGLS060A12MP11B	TGLS080B12MP11B
			(2 BURNER)	(3 BURNER)	(3 BURNER)	(4 BURNER)
<b>MOTOR</b>						
2	1	MOTOR, DIRECT DRIVE BLOWER	S1-02435733000	S1-02435734000	S1-02435735000	S1-02435735000
1,2	2	BLOWER, COMBUSTION	S1-02642548000	S1-02642548000	S1-02642548000	<b>S1-02649688000</b>
<b>ELECTRICAL</b>						
2	3	CAPACITOR, RUN (7.5MFD/370V)	S1-02435762000	S1-02435762000	S1-02435762000	S1-02435762000
2	4	SWITCH, LIMIT(250 Deg Man Reset,2 Req'd)	S1-02541318000	S1-02541318000	S1-02541318000	S1-02541318000
2	5	CONTROL, FURNACE	S1-33103010000	S1-33103010000	S1-33103010000	S1-33103010000
3	6	IGNITER	<b>S1-02549808000</b>	<b>S1-02549808000</b>	<b>S1-02549808000</b>	<b>S1-02549808000</b>
3	7	SENSOR, FLAME	S1-02537499000	S1-02537499000	S1-02537499000	S1-02537499000
1,2	8	SWITCH, PRESSURE	S1-02435785000	S1-02435785000	S1-02435785000	S1-02435785000
2	9	SWITCH, DOOR	S1-02435738000	S1-02435738000	S1-02435738000	S1-02435738000
2	10	TRANSFORMER	S1-2940A3541	S1-2940A3541	S1-2940A3541	S1-2940A3541
1,3	11	VALVE, GAS	S1-32537426000	S1-32537426000	S1-32537426000	S1-32537426000
2	12	CONTROL, TEMPERATURE	S1-02541319000	S1-02541321000	S1-02541320000	S1-02541320000
	13					
	14					
<b>AIR MOVING</b>						
2	15	HOUSING, BLOWER	---	---	S1-37327824001	S1-37327824001
		HOUSING, BLOWER w/WHEEL	S1-02642551000	S1-02642551000	---	---
2	16	WHEEL, BLOWER	S1-02642552000	S1-02642552000	S1-02619654709	S1-02619654709

NOTE: \*Not Shown

New replacement parts shown in **bold** face type at the first printing of parts list dated 8/17.

Major components and suggested stocking items are shown with shaded item number.

"<" Across from row indicates a change in that row. Changed part numbers in red.

--- Not applicable to specified model.

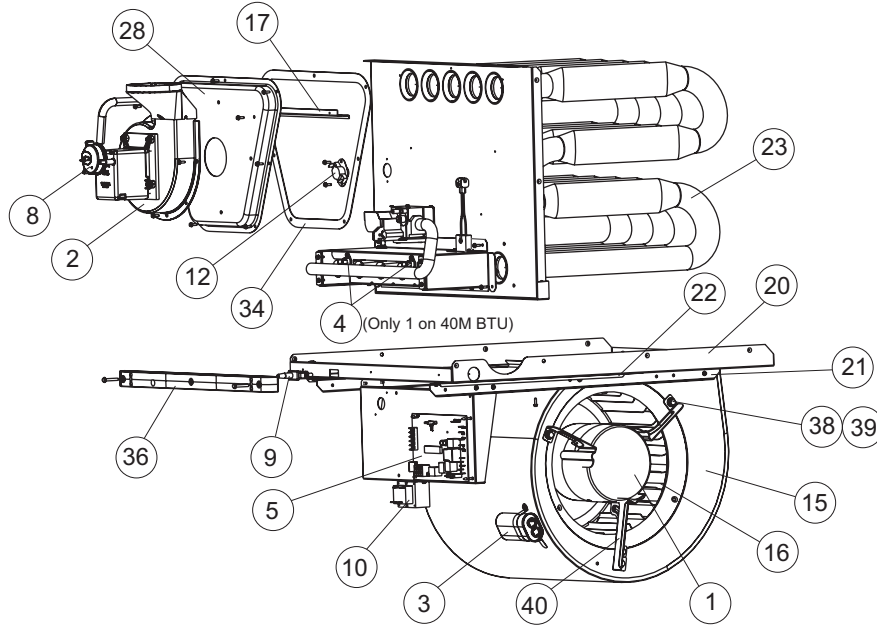


Figure 2: 80% SINGLE STAGE MULTI-POSTION NATURAL GAS FURNACES

FIG	ITEM	DESCRIPTION	TG8S040A08MP11B	TG8S060A10MP11B	TG8S060A12MP11B	TG8S080B12MP11B
			TGLS040A08MP11B	TGLS060A10MP11B	TGLS060A12MP11B	TGLS080B12MP11B
			(2 BURNER)	(3 BURNER)	(3 BURNER)	(4 BURNER)
<b>FABRICATED PARTS</b>						
2	17	BAFFLE, FLUE	S1-07327829001	S1-07327829002	S1-07327829002	S1-07327829003
3	18	BURNER, MAIN GAS	S1-02920482000	S1-02920482000	S1-02920482000	S1-02920482000
	19					
2	20	SHELF, BLOWER	S1-07327823001	S1-07327823001	S1-07327823001	S1-07327823002
2	21	RAIL, BLOWER (2 Req'd)	S1-07327825001	S1-07327825001	S1-07327825001	S1-07327825001
2	22	BRACKET, BLOWER TRACK (2 Req'd)	S1-07327825002	S1-07327825002	S1-07327825002	S1-07327825002
2	23	HEAT EXCHANGER ASS'Y	S1-37327830001	S1-37327830002	S1-37327830002	S1-37327830003
3	24	MANIFOLD, GAS	S1-02924466000	S1-02924467000	S1-02924467000	S1-02924468000
1	25	PAN, BOTTOM	S1-07327841001	S1-07327841001	S1-07327841001	S1-07327841002
1	26	PANEL, TOP	S1-07327828001	S1-07327828001	S1-07327828001	S1-07327828002
1	27A	PANEL, DOOR (Lower)	S1-37327822001	S1-37327822001	S1-37327822001	S1-37327822002
1	27B	PANEL, DOOR (Upper)	S1-37339423001	S1-37339423001	S1-37339423001	S1-37339423002
1,2	28	VENT PAN, COMBUSTION (w/Gasket)	S1-07327826001	S1-07327826001	S1-07327826001	S1-07327826001
1	29	PANEL, BLOCKOFF (TG&S Only)	S1-07327827001	S1-07327827001	S1-07327827001	S1-07327827002
*	30	LO-NOX SCREEN (TGLS Only)	S1-02635452000	S1-02635452000	S1-02635452000	S1-02635452000
<b>MISCELLANEOUS</b>						
3	31	ORIFICE, BURNER (Natural #45)	S1-02921182045	S1-02921182045	S1-02921182045	S1-02921182045
1	32	SIGHT GLASS, OVAL (2 Req'd)	S1-02538899000	S1-02538899000	S1-02538899000	S1-02538899000
*	33	GASKET, FOAM (Door) (per ft.)	S1-02815517000	S1-02815517000	S1-02815517000	S1-02815517000
2	34	GASKET, INTAKE PAN	S1-02815510000	S1-02815510000	S1-02815510000	S1-02815510000
1	35	PLUG, VENT HOLE	S1-02815516000	S1-02815516000	S1-02815516000	S1-02815516000
1,2	36	BRACKET, DOOR	S1-02815512000	S1-02815512000	S1-02815512000	S1-02815513000
*	37	WIRING HARNESS	S1-02541323000	S1-02541324000	S1-02541324000	S1-02541324000
2	38	FERRULE (3 Req'd)	S1-02320541000	S1-02320541000	S1-02320541000	S1-02320541000
2	39	GROMMET (3 Req'd)	S1-02814740000	S1-02814740000	S1-02814740000	S1-02814740000
2	40	MOTOR MOUNT (Includes item 38 & 39)	S1-37327848001	S1-37327848001	S1-37319831002	S1-37319831002
1	41	TUBING, SILICON	S1-02812499000	S1-02812499000	S1-02812499000	S1-02812499000
*	42	DIAGRAM, WIRING	348817	348817	348817	348817
1	43	Knob, Quarter Turn (4 Req'd)	S1-02924485000	S1-02924485000	S1-02924485000	S1-02924485000

NOTE: \*Not Shown  
 New replacement parts shown in **bold** face type at the first printing of parts list dated 8/17.  
 Major components and suggested stocking items are shown with shaded item number.  
 "<" Across from row indicates a change in that row. Changed part numbers in red.  
 --- Not applicable to specified model.

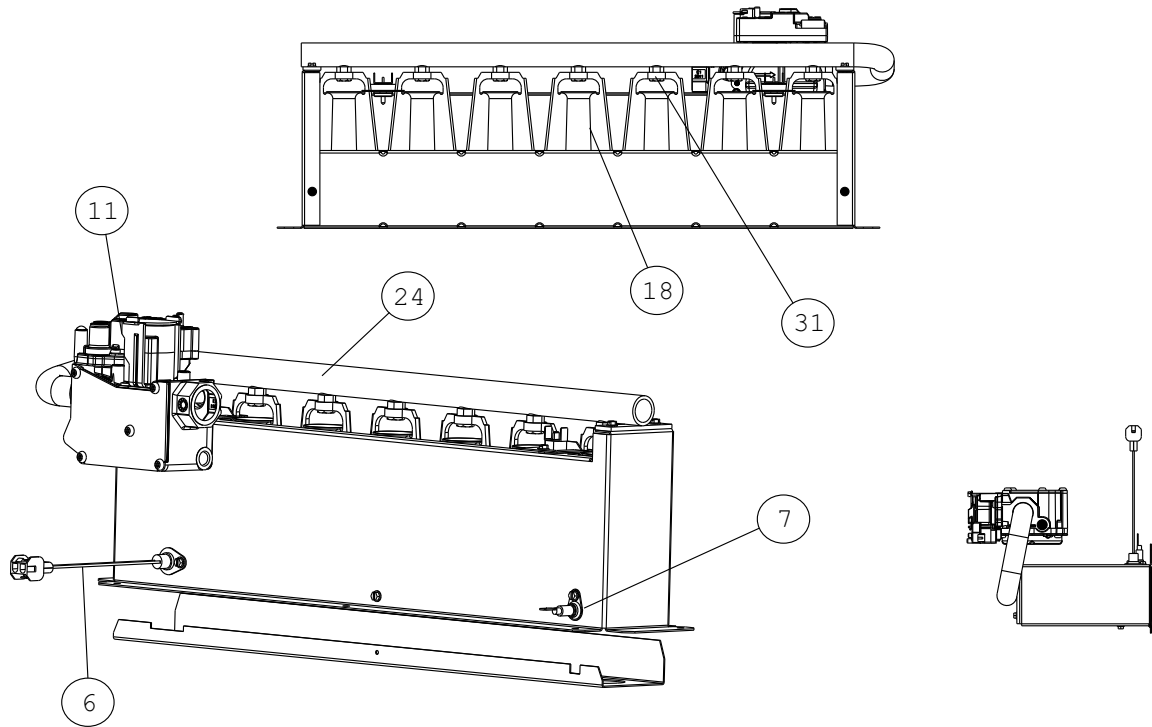


Figure 3: GAS CONTROLS

FIG	ITEM	DESCRIPTION	TG8S080C16MP11B	TG8S080C22MP11B	TG8S100B12MP11B	TG8S100C16MP11B
			TGLS080C16MP11B	TGLS080C22MP11B	TGLS100B12MP11B	TGLS100C16MP11B
			(4 BURNER)	(4 BURNER)	(5 BURNER)	(5 BURNER)
<b>MOTOR</b>						
2	1	MOTOR, DIRECT DRIVE BLOWER	S1-02435736000	S1-02432056000	S1-02435735000	S1-02435736000
1,2	2	BLOWER, COMBUSTION	<b>S1-02649688000</b>	<b>S1-02649688000</b>	S1-02642549000	S1-02642549000
<b>ELECTRICAL</b>						
2	3	CAPACITOR, RUN (7.5MFD/370V)	---	---	S1-02435762000	---
		CAPACITOR, RUN (10MFD/370V)	S1-02435763000	---	---	S1-02435763000
		CAPACITOR, RUN (15MFD/370V)	---	S1-02435764000	---	---
2	4	SWITCH, LIMIT (250 Deg Man Reset,2 Req'd)	S1-02541318000	S1-02541318000	S1-02541318000	S1-02541318000
2	5	CONTROL, FURNACE	S1-33103010000	S1-33103010000	S1-33103010000	S1-33103010000
3	6	IGNITER	<b>S1-02549808000</b>	<b>S1-02549808000</b>	<b>S1-02549808000</b>	<b>S1-02549808000</b>
3	7	SENSOR, FLAME	S1-02537499000	S1-02537499000	S1-02537499000	S1-02537499000
1,2	8	SWITCH, PRESSURE	S1-02435785000	S1-02435785000	S1-02435786000	S1-02435786000
2	9	SWITCH, DOOR	S1-02435738000	S1-02435738000	S1-02435738000	S1-02435738000
2	10	TRANSFORMER	S1-2940A3541	S1-2940A3541	S1-2940A3541	S1-2940A3541
1,3	11	VALVE, GAS	S1-32537426000	S1-32537426000	S1-32537426000	S1-32537426000
2	12	CONTROL, TEMPERATURE	S1-02541320000	S1-02541320000	S1-02541321000	S1-02541321000
		CONTROL, TEMPERATURE (Lo-Nox)	S1-02541319000	S1-02541319000	S1-02541321000	S1-02541321000
	13					
	14					
<b>AIR MOVING</b>						
2	15	HOUSING, BLOWER	S1-37327824002	S1-37327824003	S1-37327824001	S1-37327824002
2	16	WHEEL, BLOWER	S1-02619654014	S1-02638510000	S1-02619654709	S1-02619654014

NOTE: \*Not Shown

New replacement parts shown in **bold** face type at the first printing of parts list dated 8/17.

Major components and suggested stocking items are shown with shaded item number.

"<" Across from row indicates a change in that row. Changed part numbers in red.

--- Not applicable to specified model.

FIG	ITEM	DESCRIPTION	TG8S080C16MP11B	TG8S080C22MP11B	TG8S100B12MP11B	TG8S100C16MP11B
			TGLS080C16MP11B	TGLS080C22MP11B	TGLS100B12MP11B	TGLS100C16MP11B
			(4 BURNER)	(4 BURNER)	(5 BURNER)	(5 BURNER)
<b>FABRICATED PARTS</b>						
2	17	BAFFLE, FLUE	S1-07327829003	S1-07327829003	S1-07327921001	S1-07327921001
3	18	BURNER, MAIN GAS	S1-02920482000	S1-02920482000	S1-02920482000	S1-02920482000
	19					
2	20	SHELF, BLOWER	S1-07327823003	S1-07327823004	S1-07327823002	S1-07327823003
2	21	RAIL, BLOWER (2 Req'd)	S1-07327825001	S1-07327825001	S1-07327825001	S1-07327825001
2	22	BRACKET, BLOWER TRACK (2 Req'd)	S1-07327825002	S1-07327825002	S1-07327825002	S1-07327825002
2	23	HEAT EXCHANGER ASS'Y	S1-37327830005	S1-37327830005	S1-37327830004	S1-37327830006
3	24	MANIFOLD, GAS	S1-02924468000	S1-02924468000	S1-02924469000	S1-02924469000
1	25	PAN, BOTTOM	S1-07327841003	S1-07327841003	S1-07327841002	S1-07327841003
1	26	PANEL, TOP	S1-07327828003	S1-07327828003	S1-07327828002	S1-07327828003
1	27A	PANEL, DOOR (Lower)	S1-37327822003	S1-37327822003	S1-37327822002	S1-37327822003
1	27B	PANEL, DOOR (Upper)	S1-37339423003	S1-37339423003	S1-37339423002	S1-37339423003
1,2	28	VENT PAN, COMBUSTION (w/Gasket)	S1-07327826001	S1-07327826001	S1-07327826001	S1-07327826001
1	29	PANEL, BLOCKOFF (TG8S Only)	S1-07327827003	S1-07327827003	S1-07327827002	S1-07327827003
*	30	LO-NOX SCREEN (TGLS Only)	S1-02635452000	S1-02635452000	S1-02635452000	S1-02635452000
<b>MISCELLANEOUS</b>						
3	31	ORIFICE, BURNER (Natural #45)	S1-02921182045	S1-02921182045	S1-02921182045	S1-02921182045
1	32	SIGHT GLASS, OVAL (2 Req'd)	S1-02538899000	S1-02538899000	S1-02538899000	S1-02538899000
*	33	GASKET, FOAM (Door) (per ft.)	S1-02815517000	S1-02815517000	S1-02815517000	S1-02815517000
2	34	GASKET, INTAKE PAN	S1-02815510000	S1-02815510000	S1-02815510000	S1-02815510000
1	35	PLUG, VENT HOLE	S1-02815516000	S1-02815516000	S1-02815516000	S1-02815516000
1,2	36	BRACKET, DOOR	S1-02815514000	S1-02815514000	S1-02815513000	S1-02815514000
*	37	WIRING HARNESS	S1-02541325000	S1-02541325000	S1-02541324000	S1-02541325000
2	38	FERRULE (3 Req'd)	S1-02320541000	S1-02320541000	S1-02320541000	S1-02320541000
2	39	GROMMET (3 Req'd)	S1-02814740000	S1-02814740000	S1-02814740000	S1-02814740000
2	40	MOTOR MOUNT (Includes item 38 & 39)	S1-37319831002	S1-37319831002	S1-37319831002	S1-37319831002
1	41	TUBING, SILICON	S1-02812499000	S1-02812499000	S1-02812499000	S1-02812499000
*	42	DIAGRAM, WIRING	348817	348817	348817	348817
1	43	KNOB, QUARTER TURN (4 Req'd)	S1-02924485000	S1-02924485000	S1-02924485000	S1-02924485000

## NOTE: \*Not Shown

New replacement parts shown in **bold** face type at the first printing of parts list dated 8/17.

Major components and suggested stocking items are shown with shaded item number.

"←" Across from row indicates a change in that row. Changed part numbers in red.

--- Not applicable to specified model.

FIG	ITEM	DESCRIPTION	TG8S100C20MP11B	TG8S120C16MP11B	TG8S120C20MP11B	TG8S130D20MP11B
			TGLS100C20MP11B	TGLS120C16MP11B	TGLS120C20MP11B	TGLS130D20MP11B
			(5 BURNER)	(6 BURNER)	(6 BURNER)	(7 BURNER)
<b>MOTOR</b>						
2	1	MOTOR,DIRECT DRIVE BLOWER	S1-02432056000	S1-02435736000	S1-02432056000	S1-02432056000
1,2	2	BLOWER, COMBUSTION	S1-02642549000	S1-02642550000	S1-02642550000	S1-02642550000
<b>ELECTRICAL</b>						
2	3	CAPACITOR, RUN (10MFD/370V)	---	S1-02435763000	---	---
		CAPACITOR, RUN (15MFD/370V)	S1-02435764000	---	S1-02435764000	S1-02435764000
2	4	SWITCH, LIMIT (250 Deg Man Reset,2 Req'd)	S1-02541318000	S1-02541318000	S1-02541318000	S1-02541318000
2	5	CONTROL, FURNACE	S1-33103010000	S1-33103010000	S1-33103010000	S1-33103010000
3	6	IGNITER	<b>S1-02549808000</b>	<b>S1-02549808000</b>	<b>S1-02549808000</b>	<b>S1-02549808000</b>
3	7	SENSOR, FLAME	S1-02537499000	S1-02537499000	S1-02537499000	S1-02537499000
1,2	8	SWITCH, PRESSURE	S1-02435786000	S1-02435785000	S1-02435785000	S1-02435785000
2	9	SWITCH, DOOR	S1-02435738000	S1-02435738000	S1-02435738000	S1-02435738000
2	10	TRANSFORMER	S1-2940A3541	S1-2940A3541	S1-2940A3541	S1-2940A3541
1,3	11	VALVE, GAS	S1-32537426000	S1-32537426000	S1-32537426000	S1-32537426000
2	12	CONTROL, TEMPERATURE	S1-02541321000	S1-02541320000	S1-02541320000	S1-02541321000
	13					
	14					
<b>AIR MOVING</b>						
2	15	HOUSING, BLOWER	S1-37327824003	S1-37327824002	S1-37327824003	S1-37327824003
2	16	WHEEL, BLOWER	S1-02638510000	S1-02619654014	S1-02638510000	S1-02638510000
<b>FABRICATED PARTS</b>						
2	17	BAFFLE, FLUE	S1-07327921001	S1-07327829005	S1-07327829005	S1-07327829006
3	18	BURNER, MAIN GAS	S1-02920482000	S1-02920482000	S1-02920482000	S1-02920482000
	19					
2	20	SHELF, BLOWER	S1-07327823004	S1-07327823003	S1-07327823004	S1-07327823005
2	21	RAIL, BLOWER (2 Req'd)	S1-07327825001	S1-07327825001	S1-07327825001	S1-07327825001
2	22	BRACKET, BLOWER TRACK (2 Req'd)	S1-07327825002	S1-07327825002	S1-07327825002	S1-07327825002
2	23	HEAT EXCHANGER ASS'Y	S1-37327830006	S1-37327830007	S1-37327830007	S1-37327830008
3	24	MANIFOLD, GAS	S1-02924469000	S1-02924470000	S1-02924470000	S1-02924471000
1	25	PAN, BOTTOM	S1-07327841003	S1-07327841003	S1-07327841003	S1-07327841004
1	26	PANEL, TOP	S1-07327828003	S1-07327828004	S1-07327828004	S1-07327828005
1	27A	PANEL, DOOR (Lower)	S1-37327822003	S1-37327822003	S1-37327822003	S1-37327822004
1	27B	PANEL, DOOR (Upper)	S1-37339423003	S1-37339423003	S1-37339423003	S1-37339423004
1,2	28	VENT PAN, COMBUSTION (w/Gasket)	S1-07327826001	S1-07327826002	S1-07327826002	S1-07327826002
1	29	PANEL, BLOCKOFF (TG8S Only)	S1-07327827003	S1-07327827003	S1-07327827003	S1-07327827004
*	30	LO-NOX SCREEN (TGLS Only)	S1-02635452000	S1-02635452000	S1-02635452000	S1-02635452000
<b>MISCELLANEOUS</b>						
3	31	ORIFICE, BURNER (Natural #45)	S1-02921182045	S1-02921182045	S1-02921182045	---
		ORIFICE, BURNER (Natural #46)	---	---	---	S1-02921182146
1	32	SIGHT GLASS, OVAL (2 Req'd)	S1-02538899000	S1-02538899000	S1-02538899000	S1-02538899000
*	33	GASKET, FOAM (Door) (per ft.)	S1-02815517000	S1-02815517000	S1-02815517000	S1-02815517000
2	34	GASKET, INTAKE PAN	S1-02815510000	S1-02815511000	S1-02815511000	S1-02815511000
1	35	PLUG, VENT HOLE	S1-02815516000	S1-02815516000	S1-02815516000	S1-02815516000
1,2	36	BRACKET, DOOR	S1-02815514000	S1-02815514000	S1-02815514000	S1-02815515000
*	37	WIRING HARNESS	S1-02541325000	S1-02541325000	S1-02541325000	S1-02541325000
2	38	FERRULE (3 Req'd)	S1-02320541000	S1-02320541000	S1-02320541000	S1-02320541000
2	39	GROMMET (3 Req'd)	S1-02814740000	S1-02814740000	S1-02814740000	S1-02814740000
2	40	MOTOR MOUNT (Includes item 38 & 39)	S1-37319831002	S1-37319831002	S1-37319831002	S1-37319831002
1	41	TUBING, SILICON	S1-02812499000	S1-02812499000	S1-02812499000	S1-02812499000
*	42	DIAGRAM, WIRING	348817	348817	348817	348817
1	43	KNOB, QUARTER TURN (4 Req'd)	S1-02924485000	S1-02924485000	S1-02924485000	S1-02924485000

NOTE: \*Not Shown  
New replacement parts shown in **bold** face type at the first printing of parts list dated 8/17.  
Major components and suggested stocking items are shown with shaded item number.  
"←" Across from row indicates a change in that row. Changed part numbers in red.  
--- Not applicable to specified model.

**TO ORDER AUTHORIZED FACTORY REPLACEMENT PARTS** - Contact your Source1 HVAC Parts Distributor or visit our website at **[www.Source1Parts.com](http://www.Source1Parts.com)** for a Distributor and Dealer listing.

Subject to change without notice. Published in U.S.A.  
Copyright © 2017 by Johnson Controls, Inc. All rights reserved.

035-23619-001 Rev. E (0817)  
Supersedes: 035-23619-001 Rev. D (0817)

---

**York International Corp.**  
**5005 York Drive**  
**Norman, OK 73069**